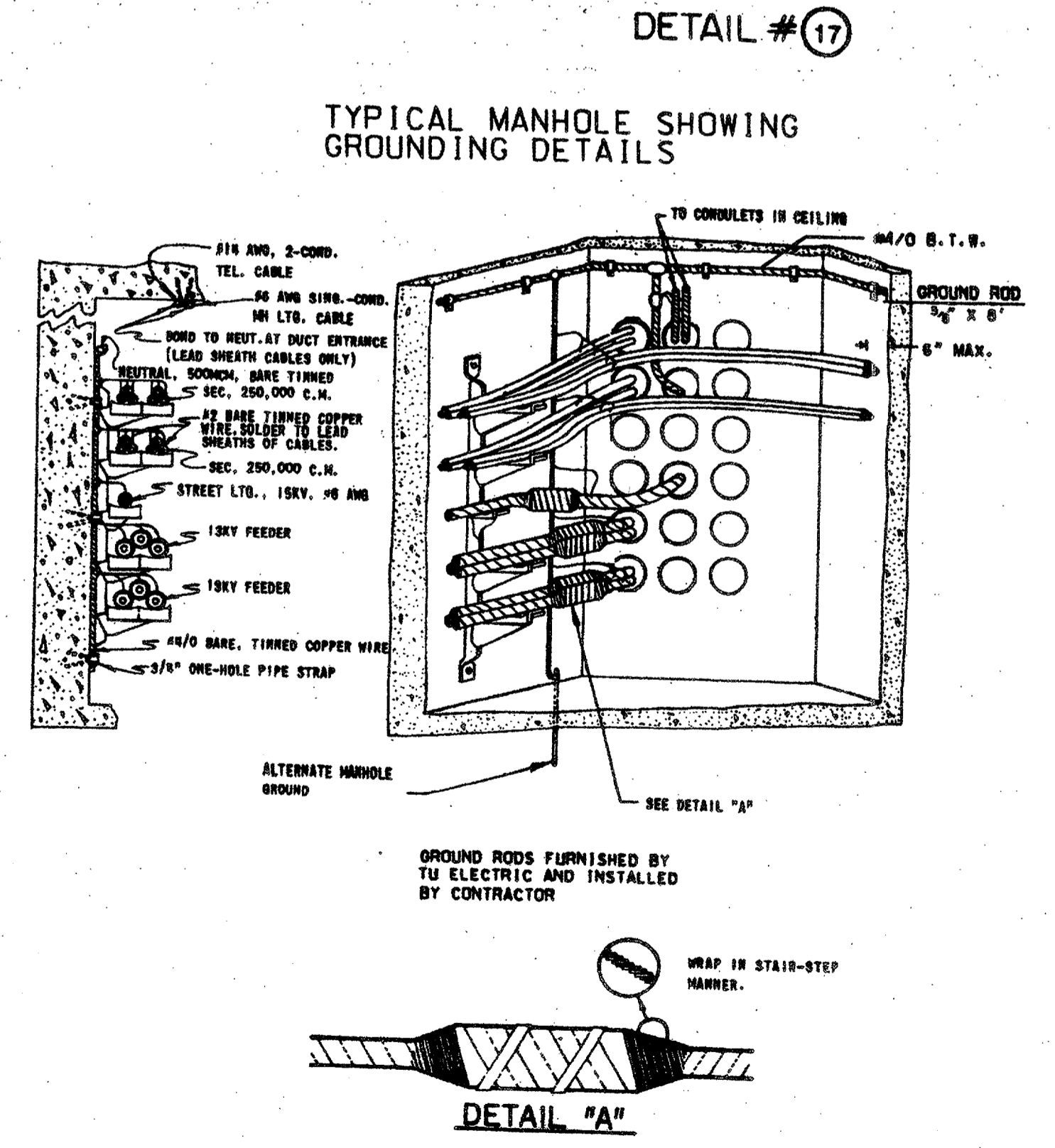
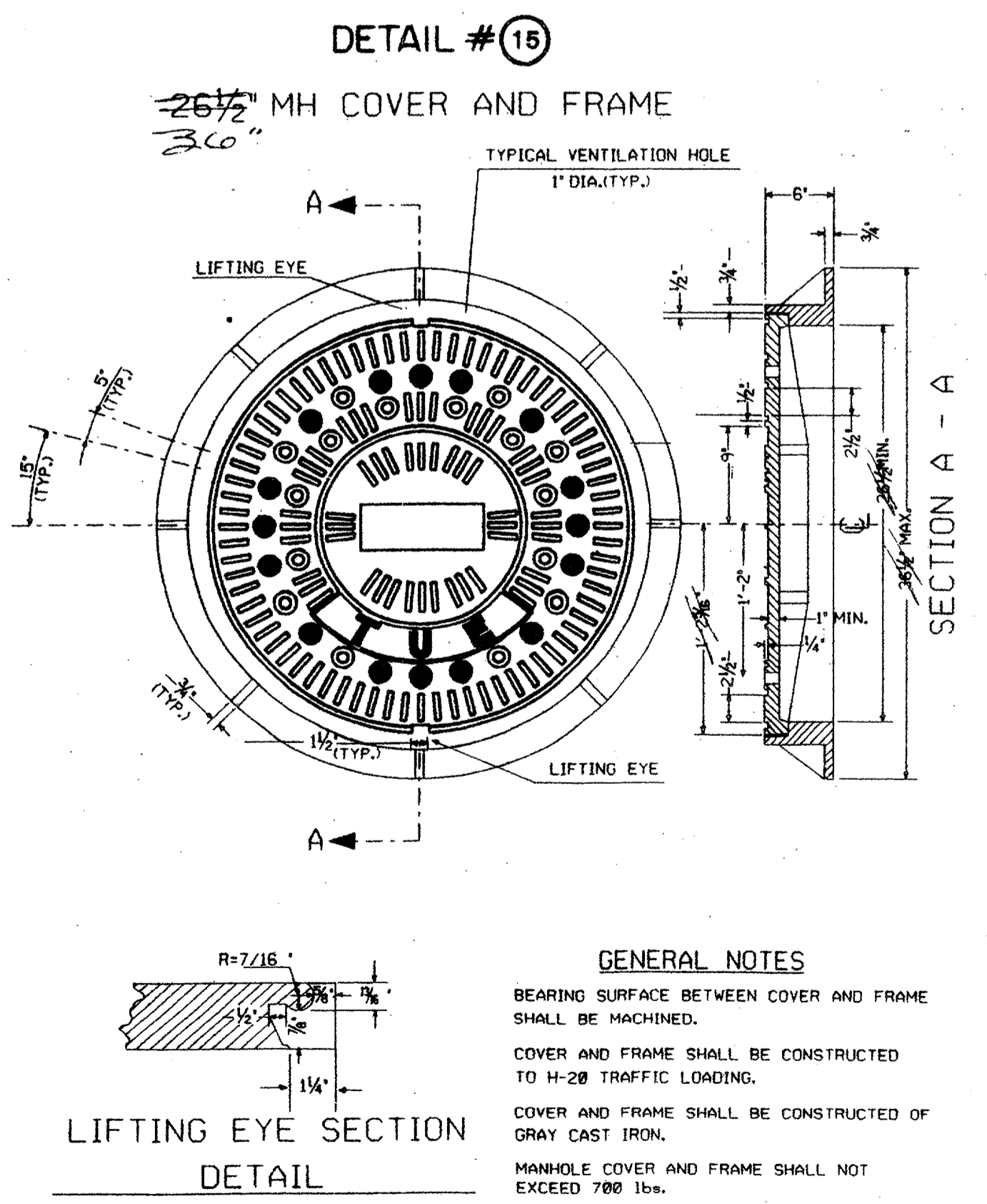
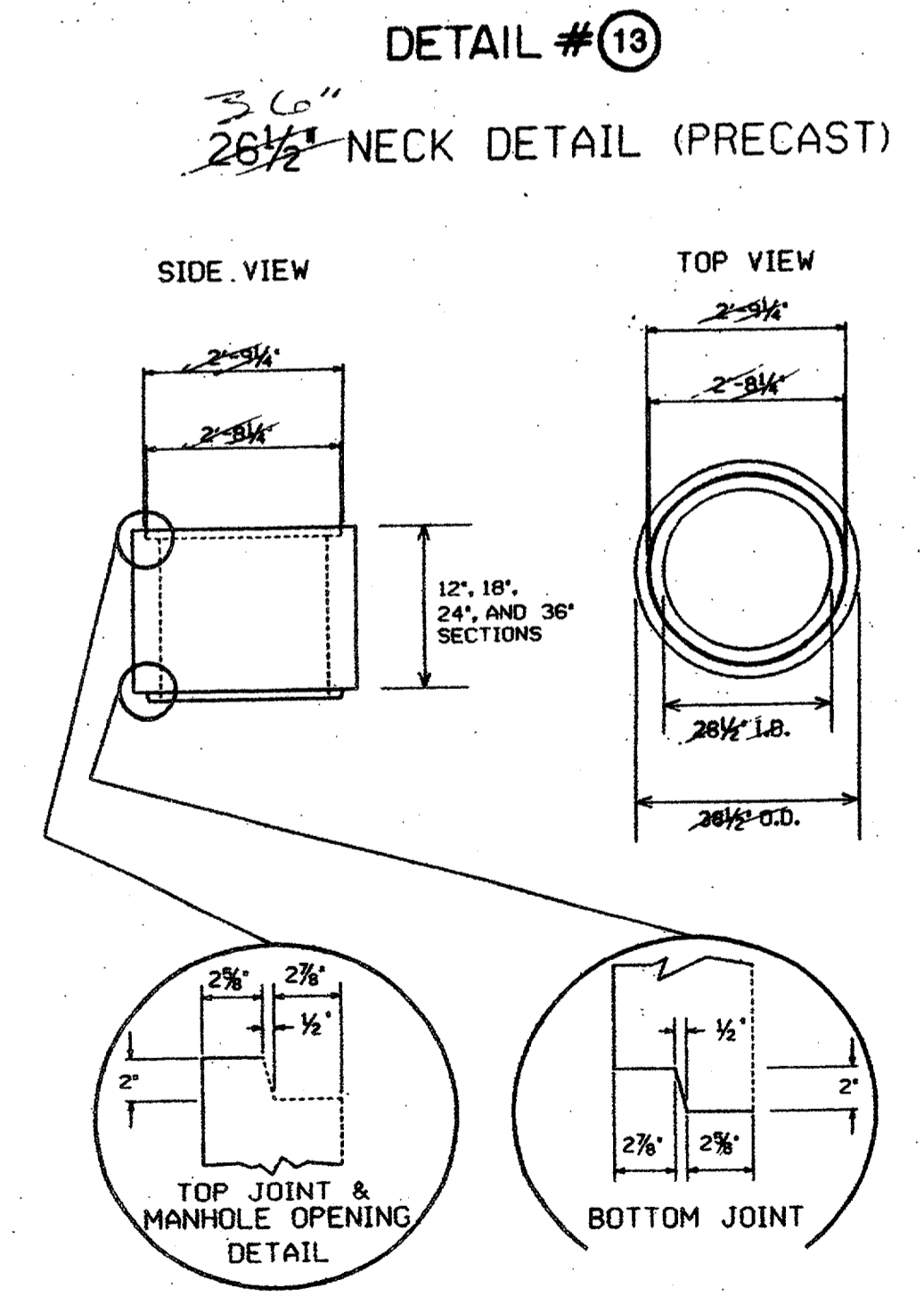


BILL OF MATERIAL

ITEM	QUAN	DESCRIPTION	STX. NO.
1	4	2 1/2" x 2 1/2" x 1/2" x 3'-5" LONG	
2	4	1 1/2" x 1 1/2" x 1/4" x 3'-4" LONG	
3	2	1 1/2" x 1 1/2" x 3/8" BRASS CAP SCREWS FLAT HEADS	
4	1	3'-4" x 3'-4" x 3/16" NO 316 STEEL PLATE	
5	4	#3 BAR - 2 1/2"	



1/05/04 ISSUED FOR CONSTRUCTION

UNIT ID	DWG TYPE	ESTIMATE	W.A.	LIST OF DRAWINGS	ENG. JRC	APP. JES	APP. PRN	NO.	DATE	REVISION DESCRIPTION	DRAWN	CHK	APP.	APP.
				NETWORK UNDERGROUND APPEARANCE SHEETS MISCELLANEOUS DETAILS										