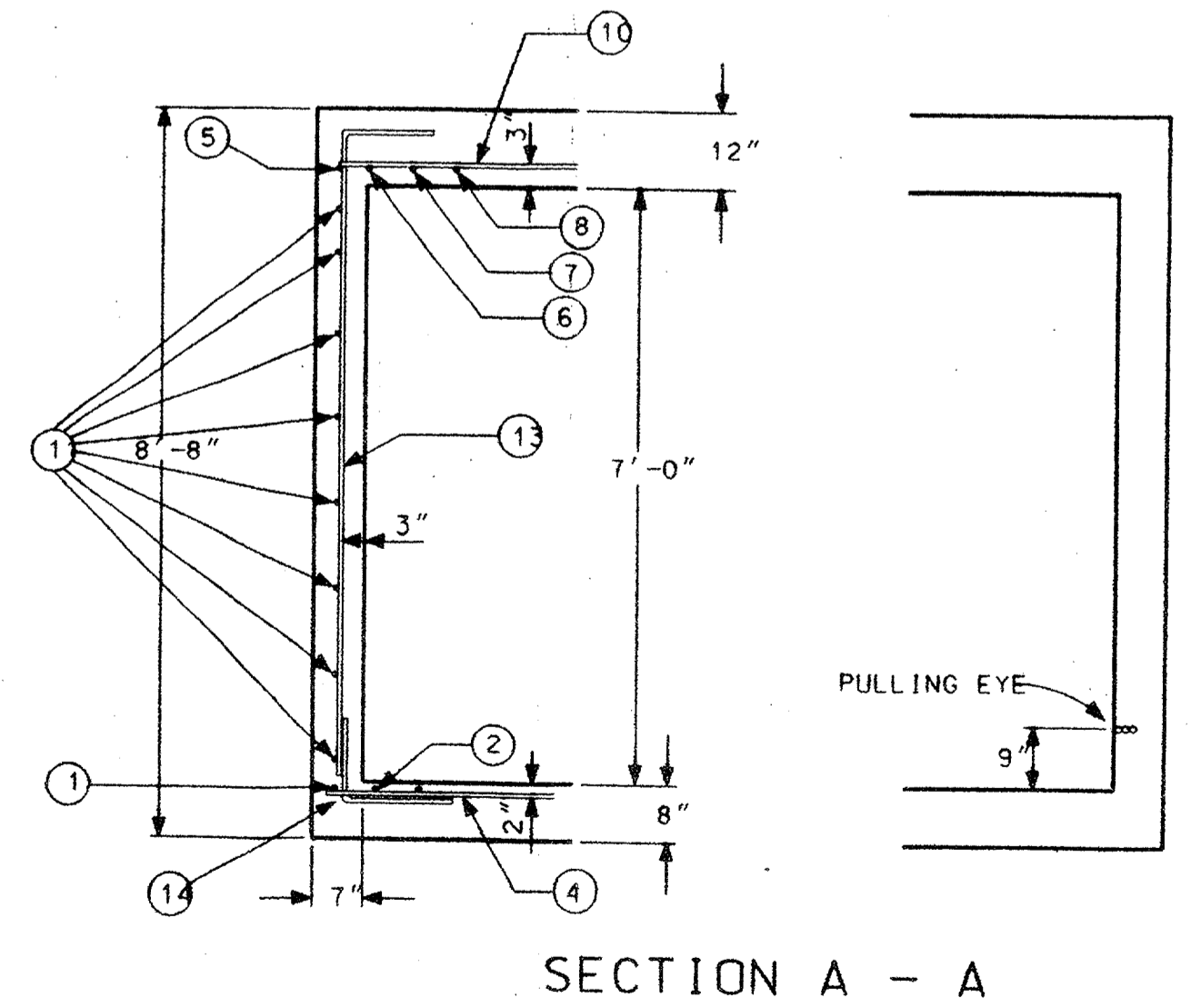
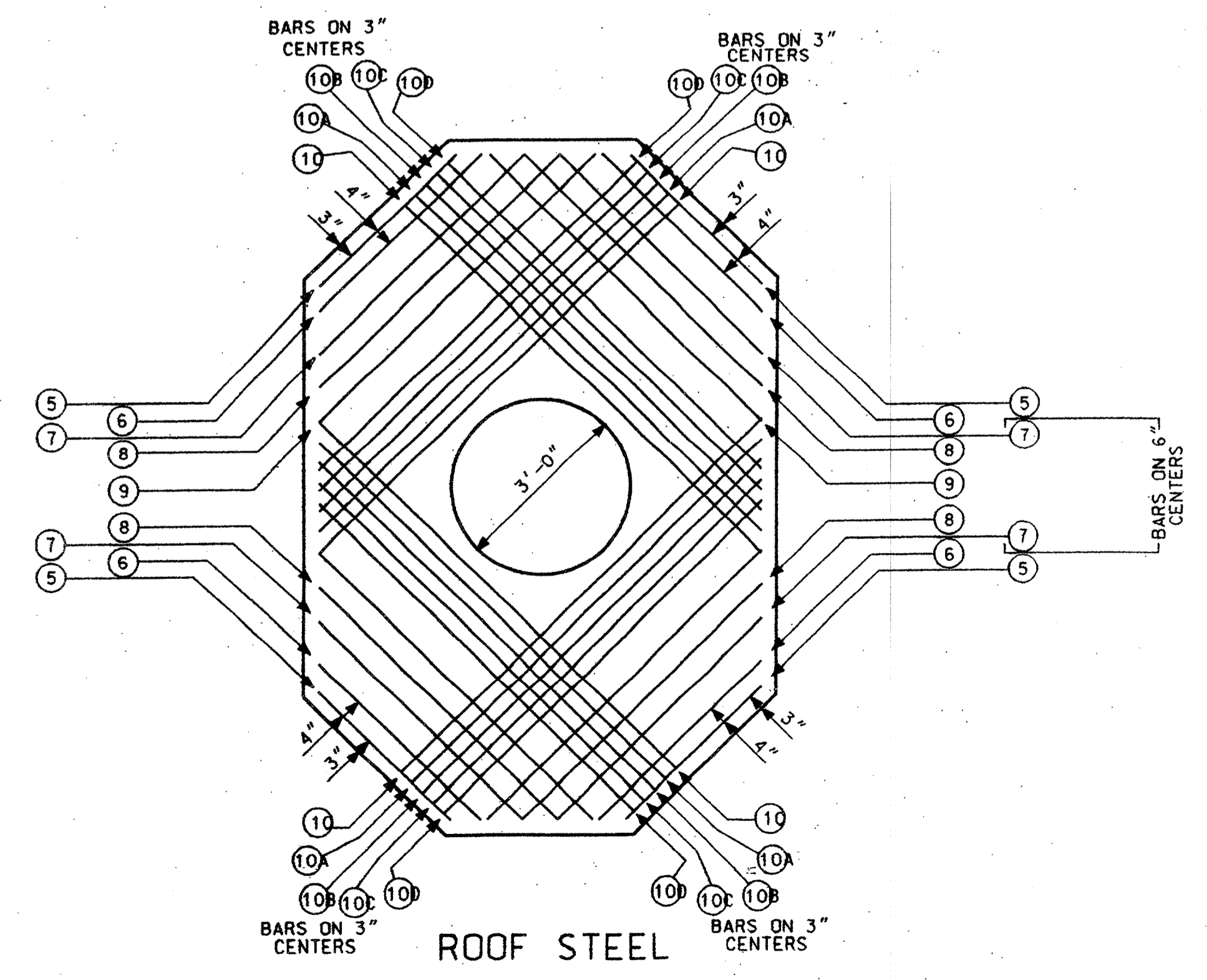
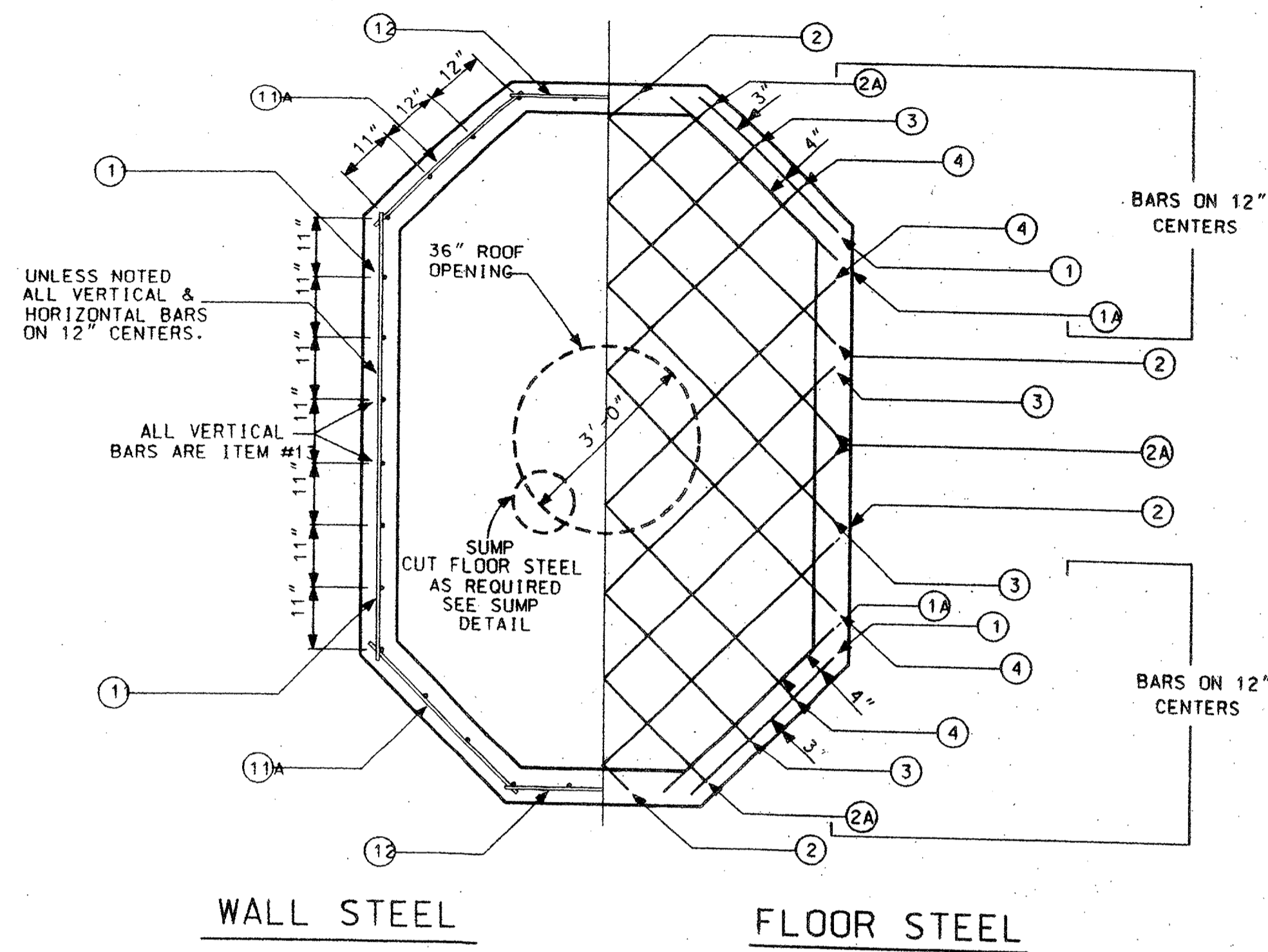
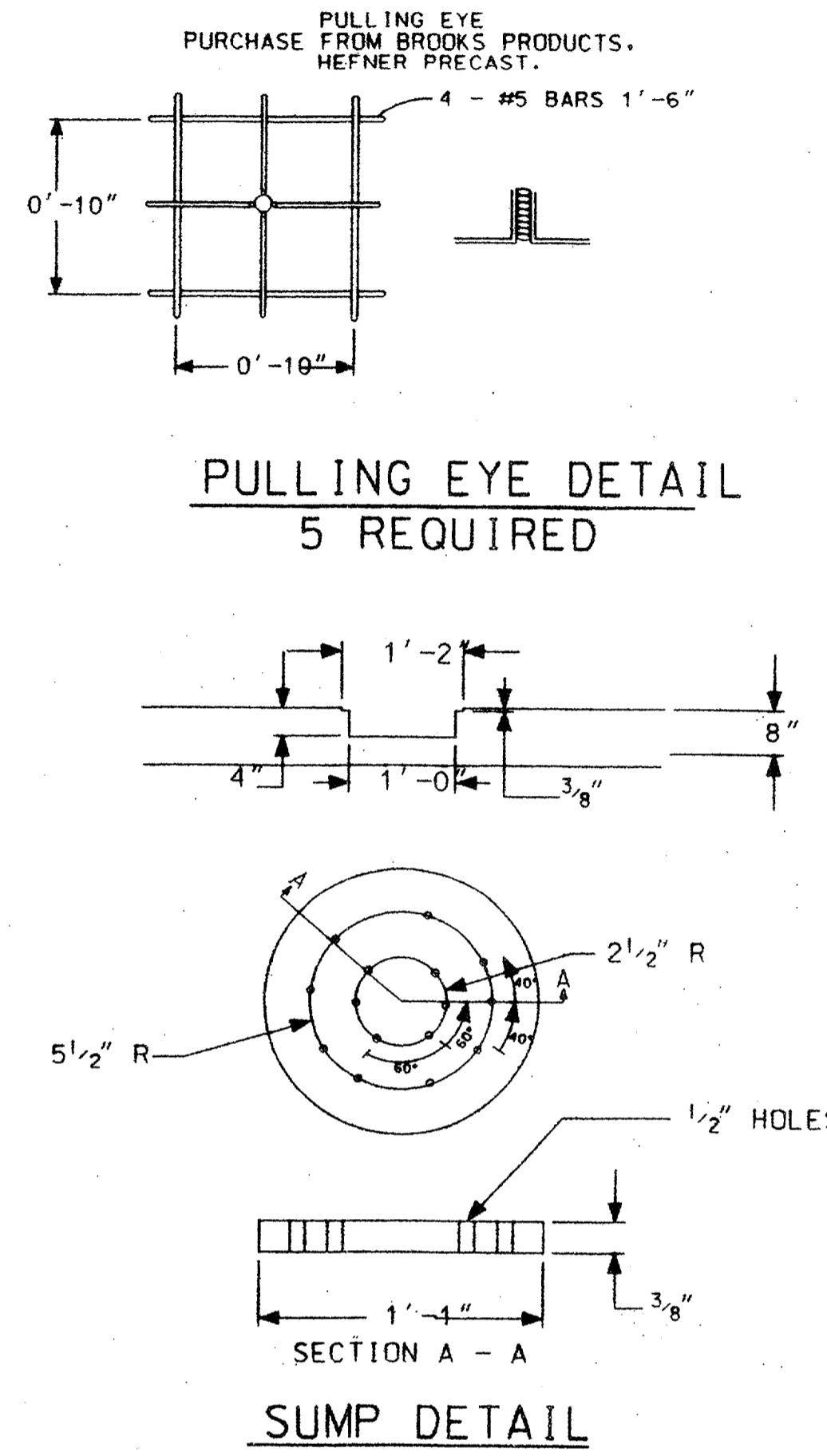
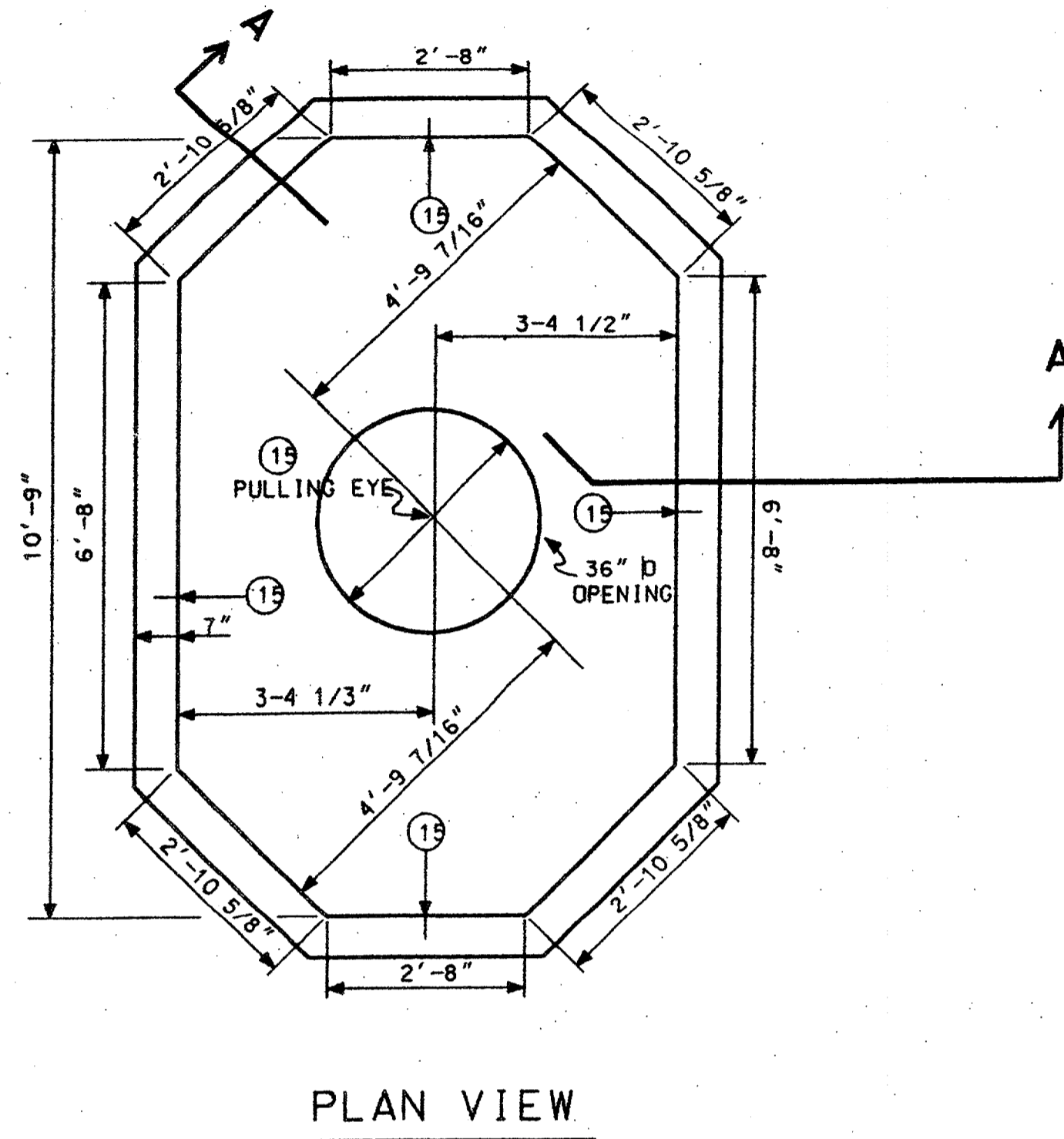


DETAIL # 7



"TYPE - 2-WAY"
10'-9" X 6'-9" X 7'-0"

MARK	LENGTHS		QUANTITY			SHAPE	SIZE
	FT.	IN.	FLOOR	WALLS	ROOF		
1	3	3	4			13'-0"	ST. #5
1A	3	10	4			15'-4"	ST. #5
2	5	10	4			23'-4"	ST. #5
2A	7	7	4			30'-4"	ST. #5
3	8	7	4			34'-4"	ST. #5
4	9	7	4			38'-4"	ST. #5
5	3	2			4	12'-8"	ST. #5
6	3	10			4	15'-4"	ST. #5
7	4	10			4	19'-4"	ST. #5
8	5	8			4	22'-8"	ST. #5
9	6	6			4	26'-0"	ST. #5
10	8	6			4	34'-0"	ST. #5
10A	8	3			4	33'-0"	ST. #5
10B	8	0			4	32'-0"	ST. #5
10C	7	9			4	31'-0"	ST. #5
10D	7	6			4	30'-0"	ST. #5
11	7	4		16		117'-4"	ST. #5
11A	3	5		32		109'-4"	ST. #5
12	3	2		16		50'-8"	ST. #5
13	8	9		36		315'-0"	7'-8" ST. #5
14	3	4	36		4	120'-0"	2' 1/4" x 4" ST. #5
15			1	4		5'-0"	PULLING EYE 1 1/2" x 6" ADT
CONCRETE			1.94 CU. YDS	3.35 CU. YDS	3.85 CU. YDS	11.14 CU. YDS	3000 PSI
MANHOLE COVER & FRAME TU STD 310-050 1 EA.							
VENDOR: WESTERN IRON WORKS, 21 EAST SIXTH ST. SAN ANGELO TX. 76903 3'-0" OPENING							
OR: HEFNER PRECAST, DIVISION OF BROOKS PRODUCTS, 2229 NORTH MAIN. CLEBURNE TX. 76031							
STEEL TO CONFORM TO THE LATEST STANDARD SPECIFICATION FOR DEFORMED BILLET-STEEL BARS FOR CONCRETE REINFORCEMENT.							
SEE DETAIL #9 FOR CONCRETE SPECIFICATION							
GENERAL NOTES SIMILAR TO TYPE "B" MANHOLE, SHEET #1.							

TU ELECTRIC CD

SCALE: 1/8" = 1'-0"	DATE: 05-12-92	APP. PIN	APP. APP.
LIST OF DRAWINGS	W.A.	W.A.	W.A.
ESTIMATE	UNIT ID	REVISION DESCRIPTION	DRAWN CH. APP.
ENG TYPE			

NETWORK UNDERGROUND APPEARANCE SHEETS MANHOLE DETAILS

E NUA-1
SHEET NO. 5