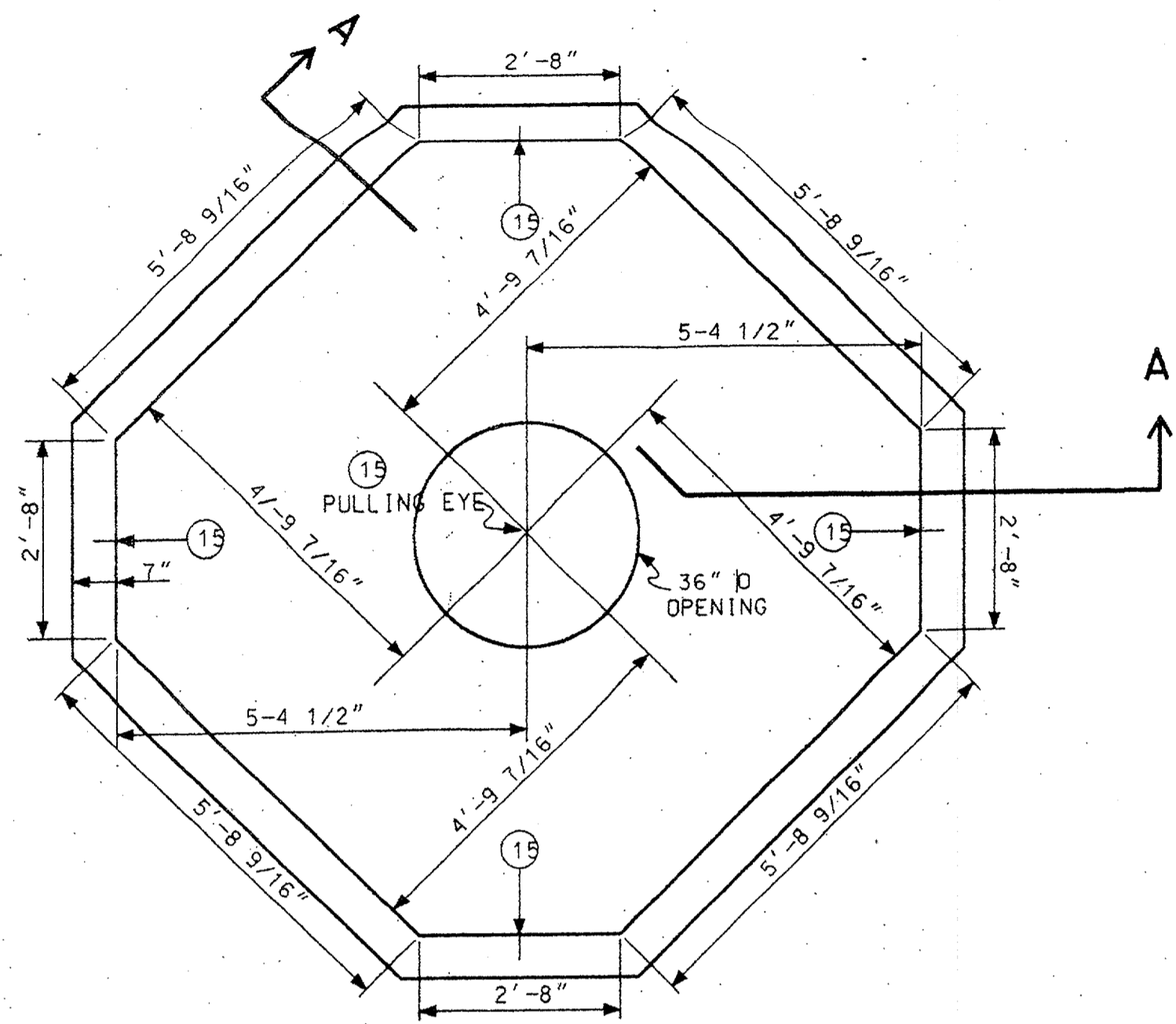
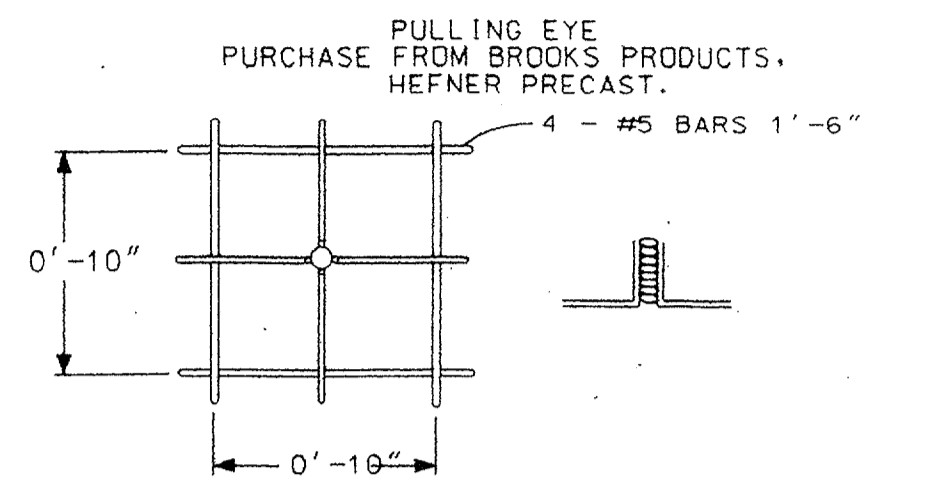


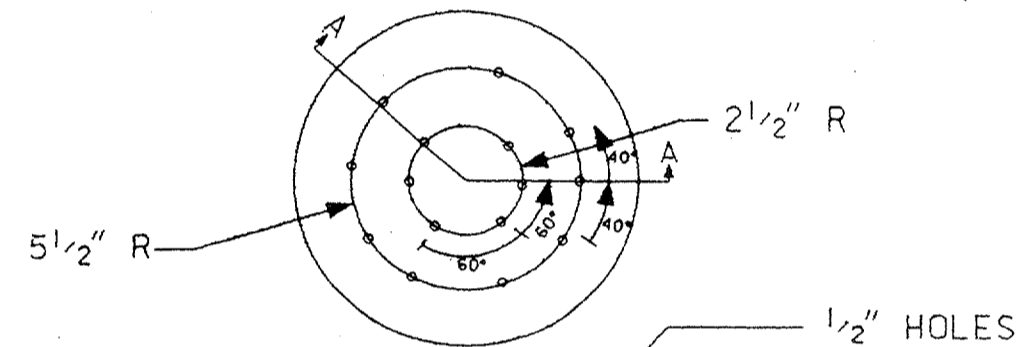
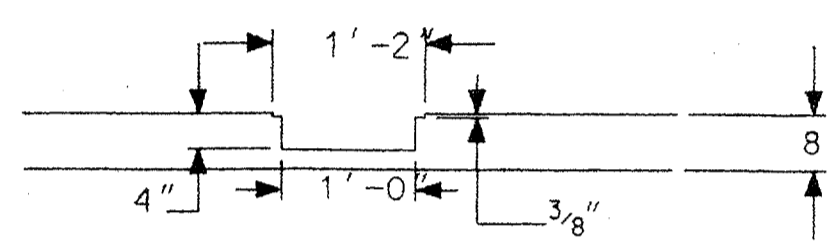
DETAIL # 5



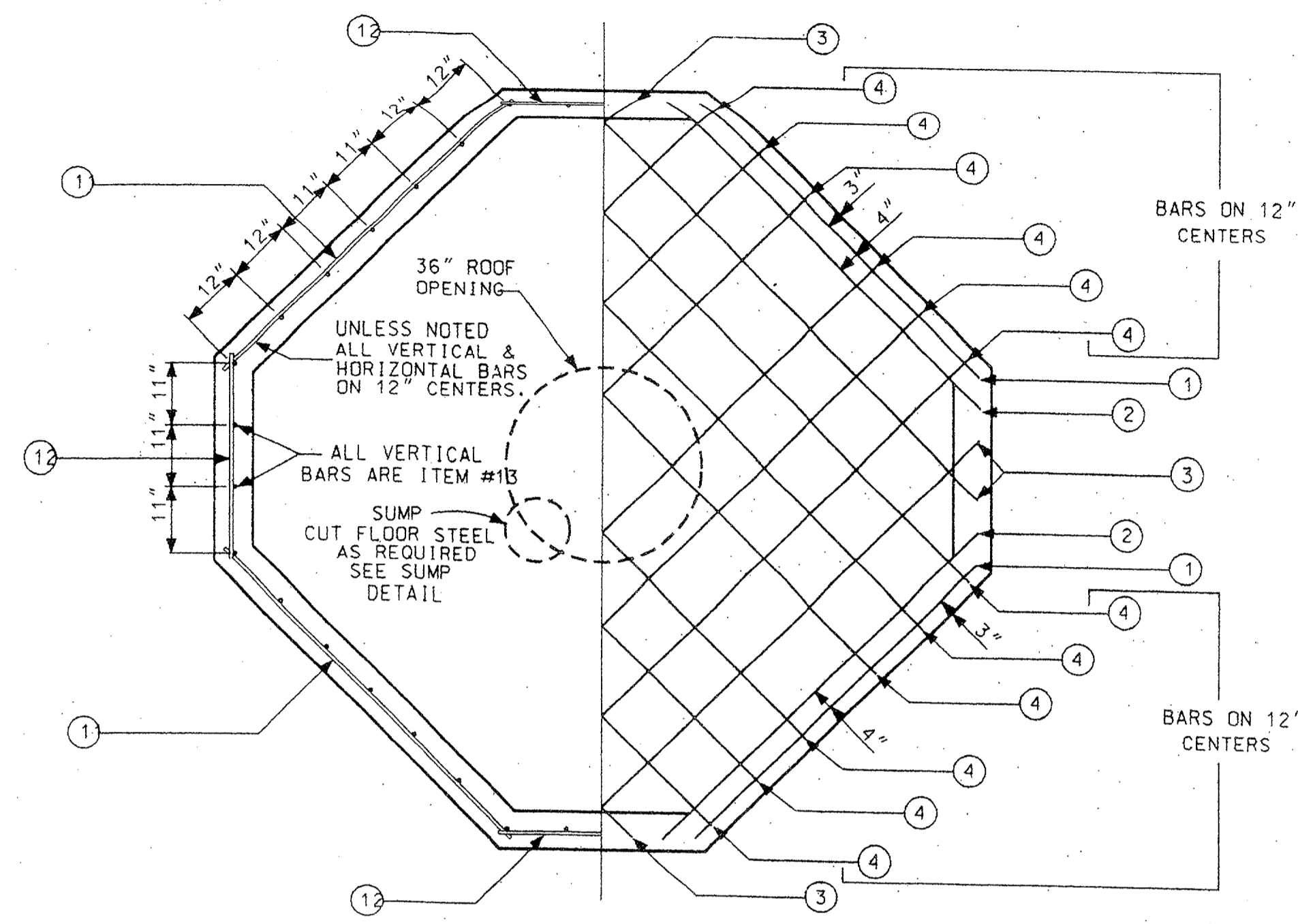
PLAN VIEW



PULLING EYE DETAIL
5 REQUIRED

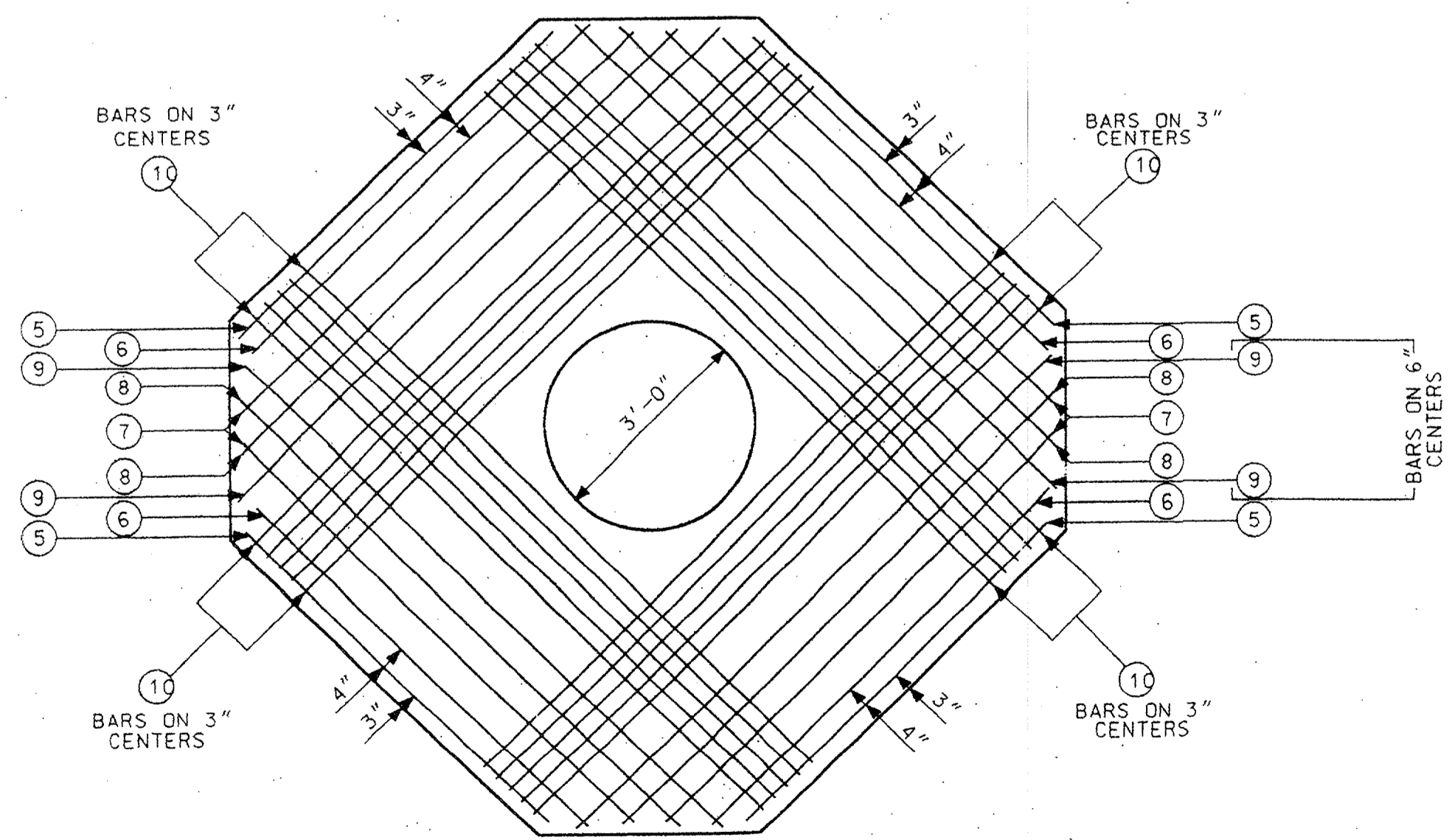


SUMP DETAIL

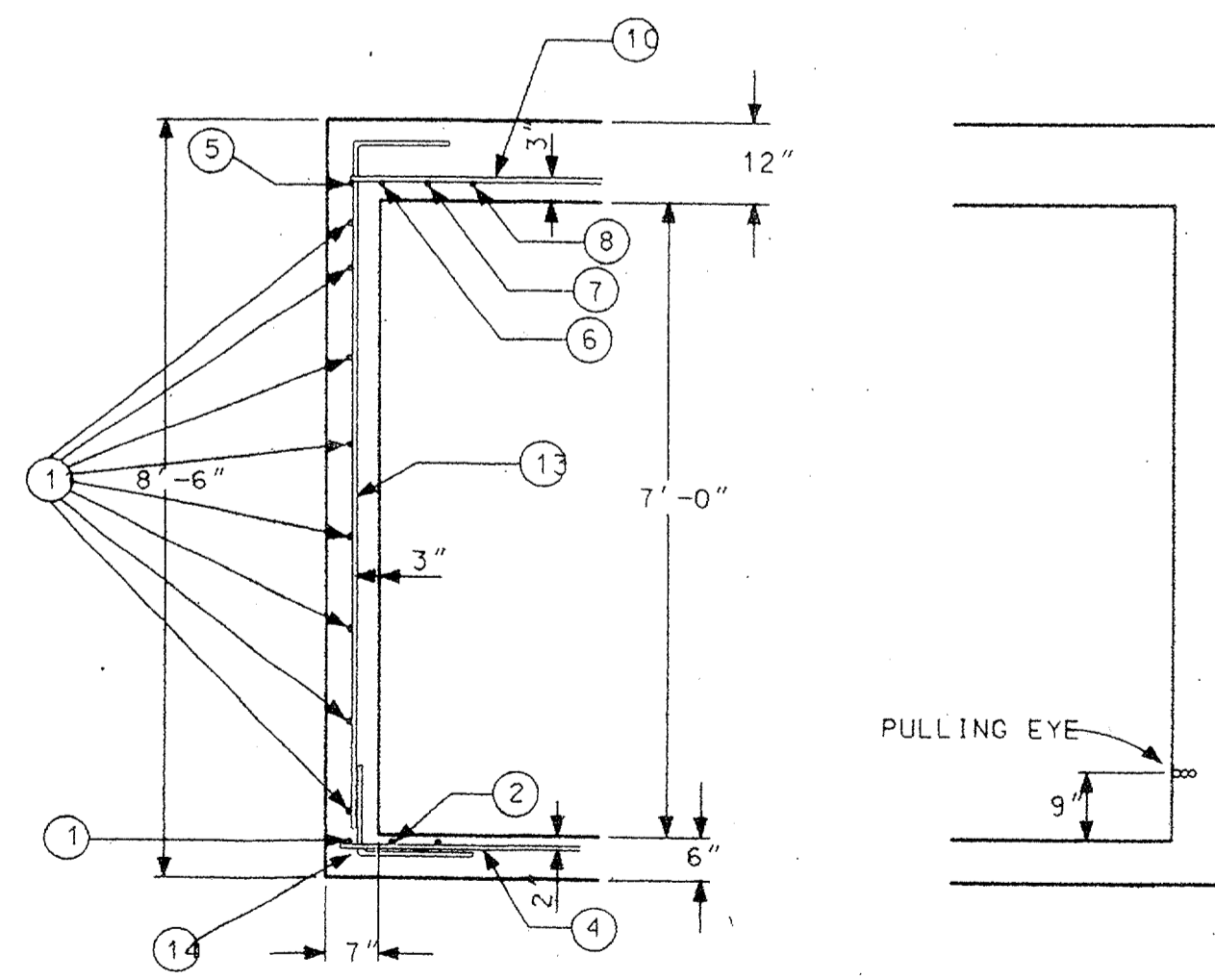


WALL STEEL

FLOOR STEEL



ROOF STEEL



SECTION A - A

MATERIALS FOR POURED IN PLACE MANHOLE

MARK	LENGTHS		QUANTITY				SHAPE	SIZE
	FT.	IN.	FLOOR	WALLS	ROOF	TOTAL		
1	6	1	4			24'-4"	ST.	#5
2	6	10	4			27'-4"	ST.	#5
3	8	10	4			35'-4"	ST.	#5
4	10	3	14			143'-6"	ST.	#5
5	6	1			4	24'-4"	ST.	#5
6	6	10			4	27'-4"	ST.	#5
7	7	10			4	31'-4"	ST.	#5
8	8	10			4	35'-4"	ST.	#5
9	9	10			4	39'-4"	ST.	#5
10	10	3			20	205'-0"	ST.	#5
11	6	3	32			200'-0"	ST.	#5
12	3	2	32			101'-4"	ST.	#5
13	8	9	36			315'-0"	7'-3"	#5
14	3	4	36			120'-0"	2'-1 1/2" x 6"	#5
15			1	4		5'-0"	PULLING EYE	1 1/2" x 6" BOLT
CONCRETE			1.94 CU. YDS.	5.35 CU. YDS.	3.85 CU. YDS.	11.14 CU. YDS.	3000 PSI	
MANHOLE COVER & FRAME TU STD 310-050 1 EA.								
VENDOR: WESTERN IRON WORKS, 21 EAST SIXTH ST. SAN ANGELO TX, 76903								
OR: HEFNER PRECAST, DIVISION OF BROOKS PRODUCTS, 2229 NORTH MAIN, CLEBURNE TX, 76031								
STEEL TO CONFORM TO THE LATEST STANDARD SPECIFICATION FOR DEFORMED BILLET-STEEL BARS FOR CONCRETE REINFORCEMENT.								
SEE DETAIL #09 FOR CONCRETE SPECIFICATION								
GENERAL NOTES SIMILAR TO TYPE "D" MANHOLE, SHEET #2.								

"TYPE - 4-WAY"
10'-9" X 10'-9" X 7'-0"

TU ELECTRIC

CD

UNIT ID	DWG TYPE	REVISION DESCRIPTION	DATE	NO.	W.A.	APP. PRN	APP. JES	ENG. JRC	CH. JRC	DWN. MED	DATE

SCALE (H=) 1 (V=1/2"=1'-0")

LIST OF DRAWINGS

NETWORK UNDERGROUND APPURTENANCE SHEETS
MANHOLE DETAILS

E NUA-1
SHEET NO. [REDACTED]