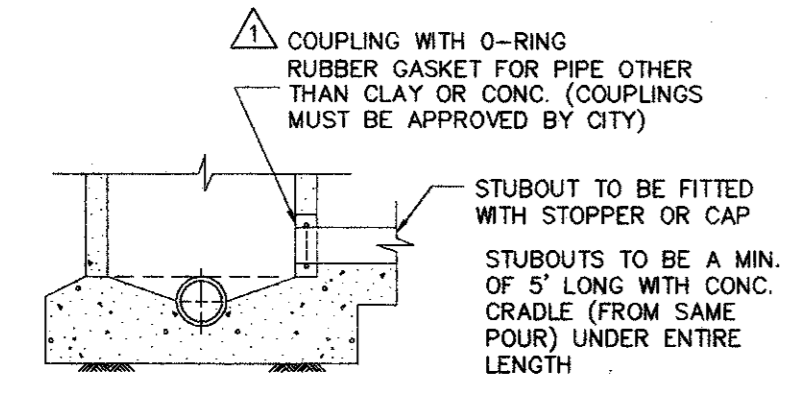
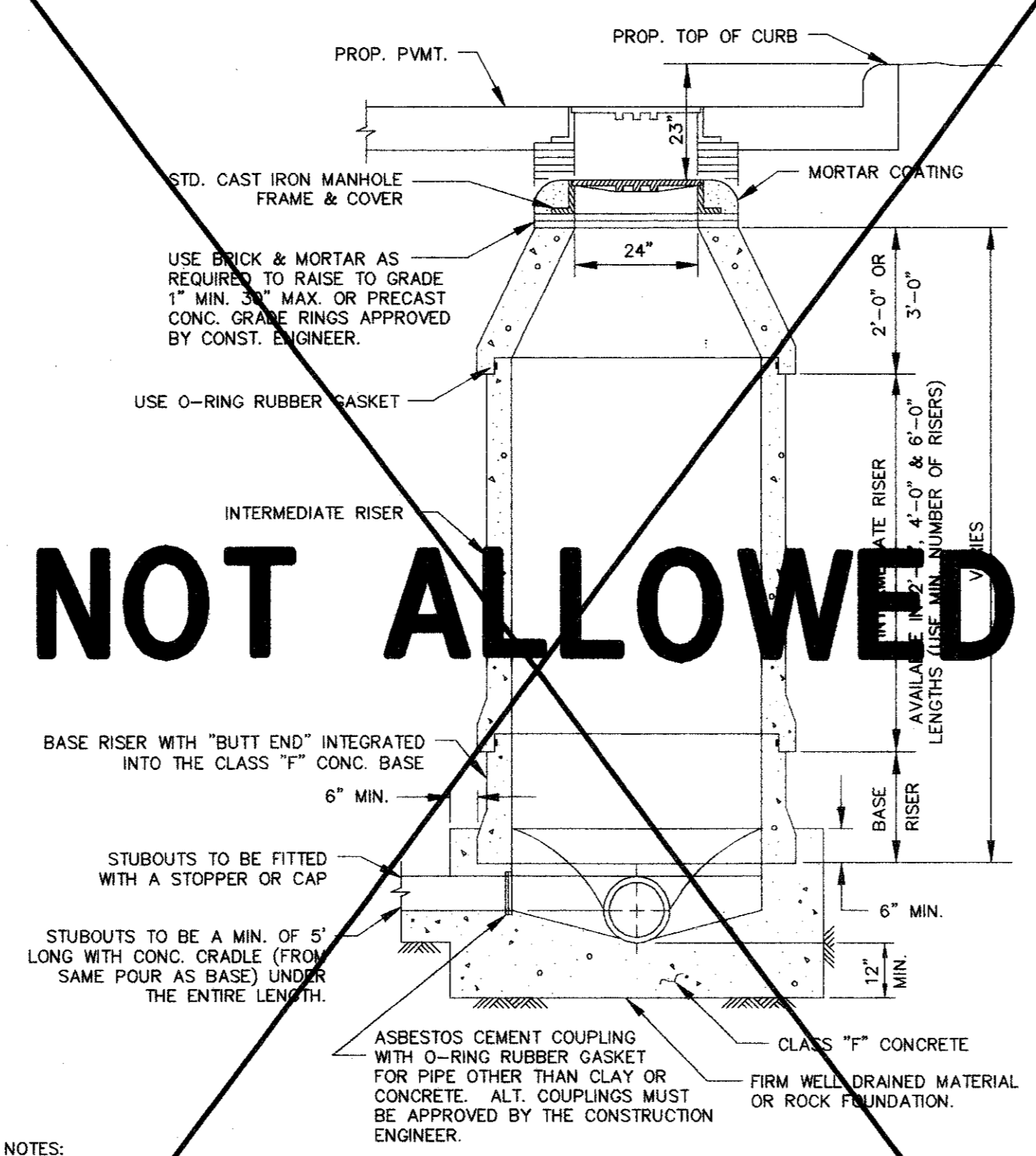


- NOTES:**
- WHERE M.H.'S ARE IN "PROPOSED" PAVING, FRAME & COVER SHALL BE SET 23" BELOW THE PROPOSED TOP OF CURB OR FLUSH WITH GROUND LINE - WHICHEVER IS LOWER (CITY CONTRACTS ONLY). ON PRIVATE CONTRACTS M.H. RING & COVER TO BE SET TO GRADE OF PROP. PAVING.
  - IF FALSE M.H. BOTTOMS ARE REQUIRED THEY SHALL BE CONSTRUCTED, INSTALLED AND REMOVED AS SPECIFIED.
  - FIBERGLASS MANHOLE STEPS SHALL BE PROVIDED FOR ALL MANHOLES OVER 5 FEET IN DEPTH.

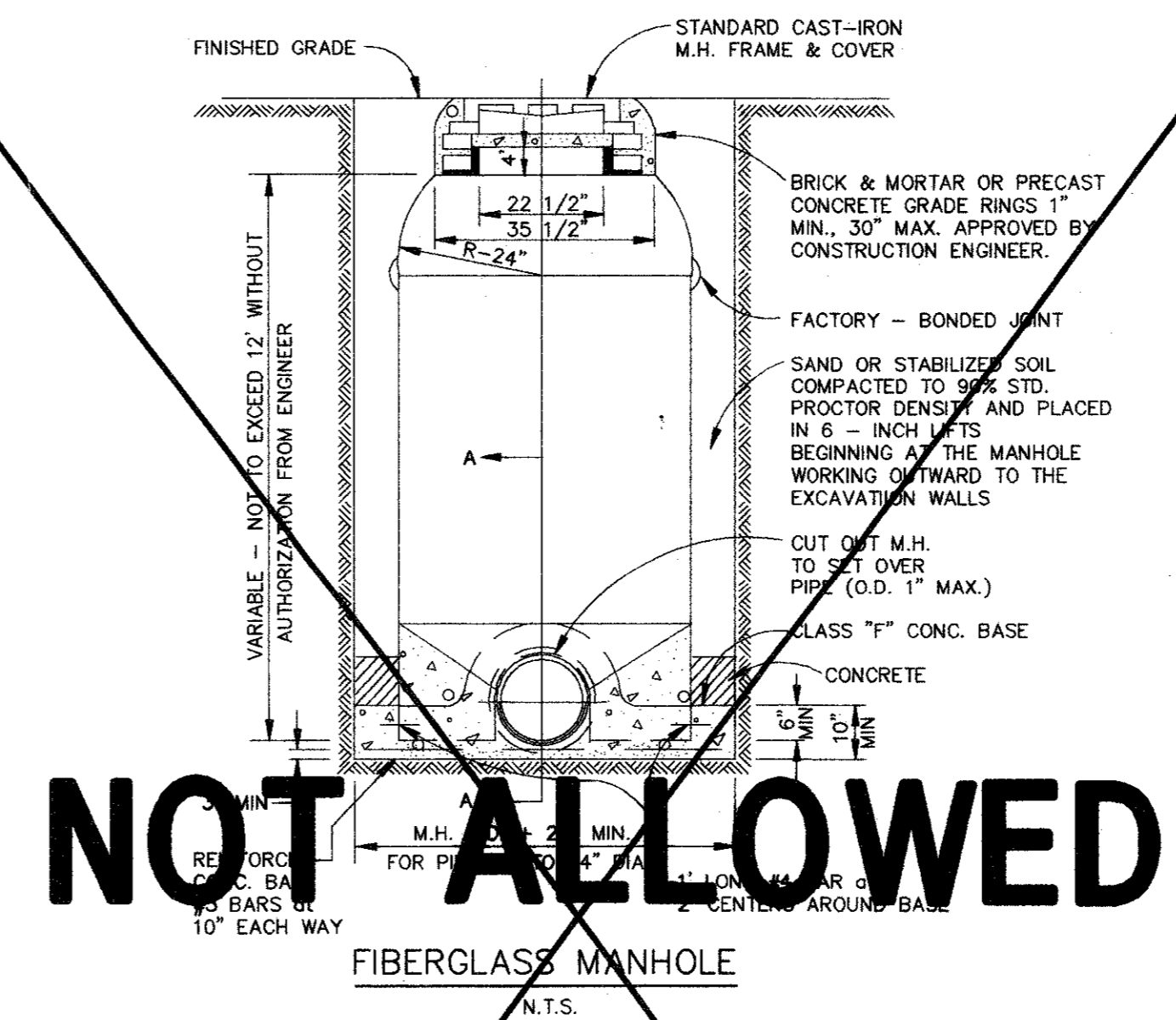


**CAST-IN-PLACE MANHOLE**

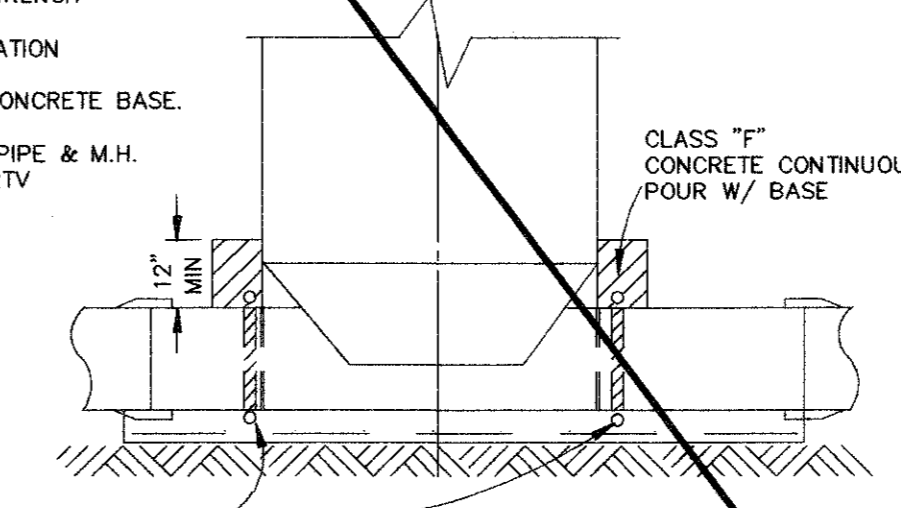


- NOTES:**
- WHERE M.H.'S ARE IN PROP. PVMT. FRAME & COVER SHALL BE SET 23" BELOW THE PROP. TOP OF CURB AS SHOWN ABOVE, OR FLUSH WITH THE EXIST. GROUND WHICHEVER IS LOWER (CITY CONTRACTS ONLY). ON PRIVATE CONTRACTS M.H. RING & COVER TO BE SET TO GRADE OF PROP. PVMT.
  - IF FALSE M.H. BOTTOMS ARE REQUIRED, THEY SHALL BE CONSTRUCTED, INSTALLED AND REMOVED AS SPECIFIED.

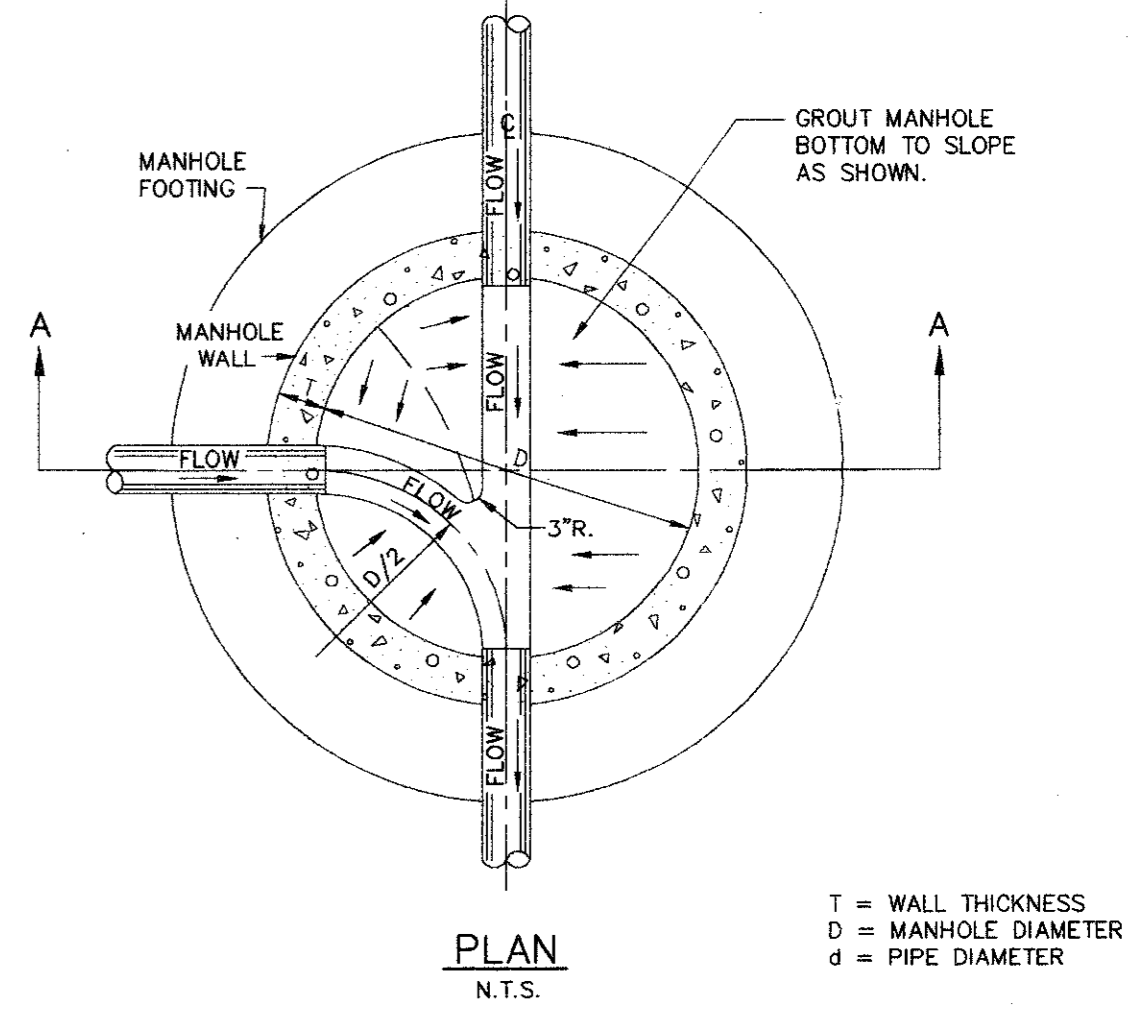
**PRECAST CONCRETE MANHOLE**



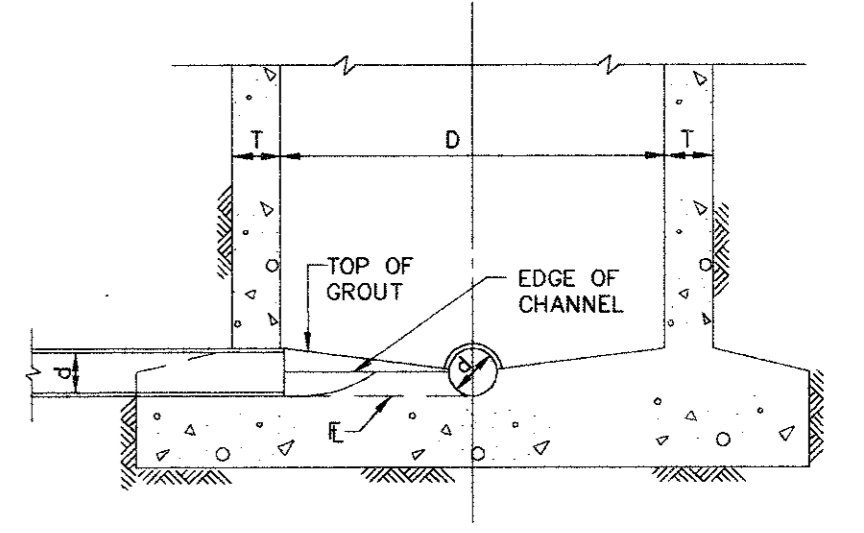
- NOTES:**
- CONCRETE BASE TO BE POURED IN - PLACE IN TRENCH
  - M.H. CUT-OUT TO BE MADE AT TIME OF INSTALLATION
  - M.H. TO BE INSTALLED BY INSERTING INTO WET CONCRETE BASE.
  - FUTURE CONNECTIONS: IF A SEALANT BETWEEN PIPE & M.H. IS NEEDED, USE STAUFFER CHEMICAL SWS 940 RTV SILICONE SEALANT, OR APPROVED EQUAL.



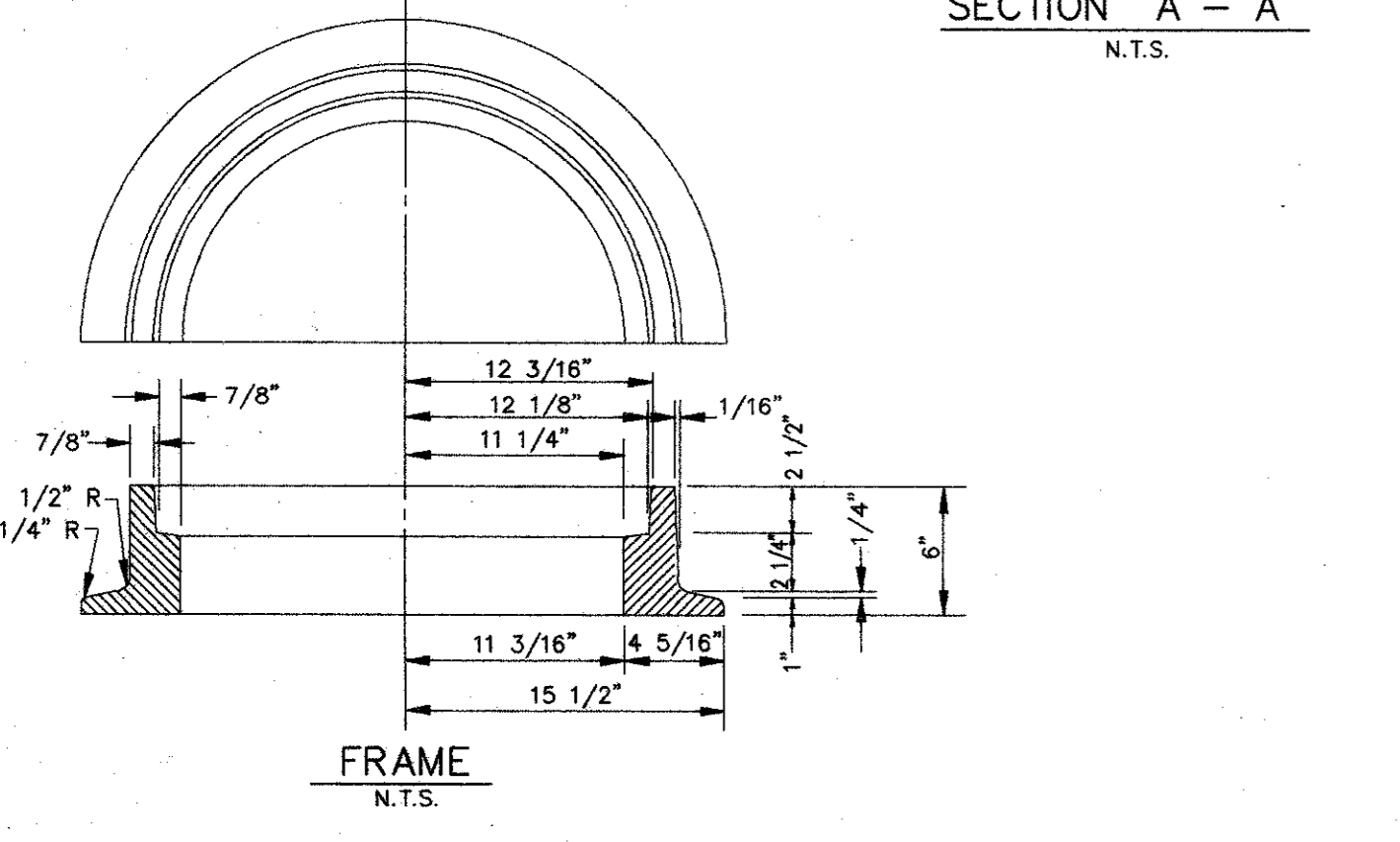
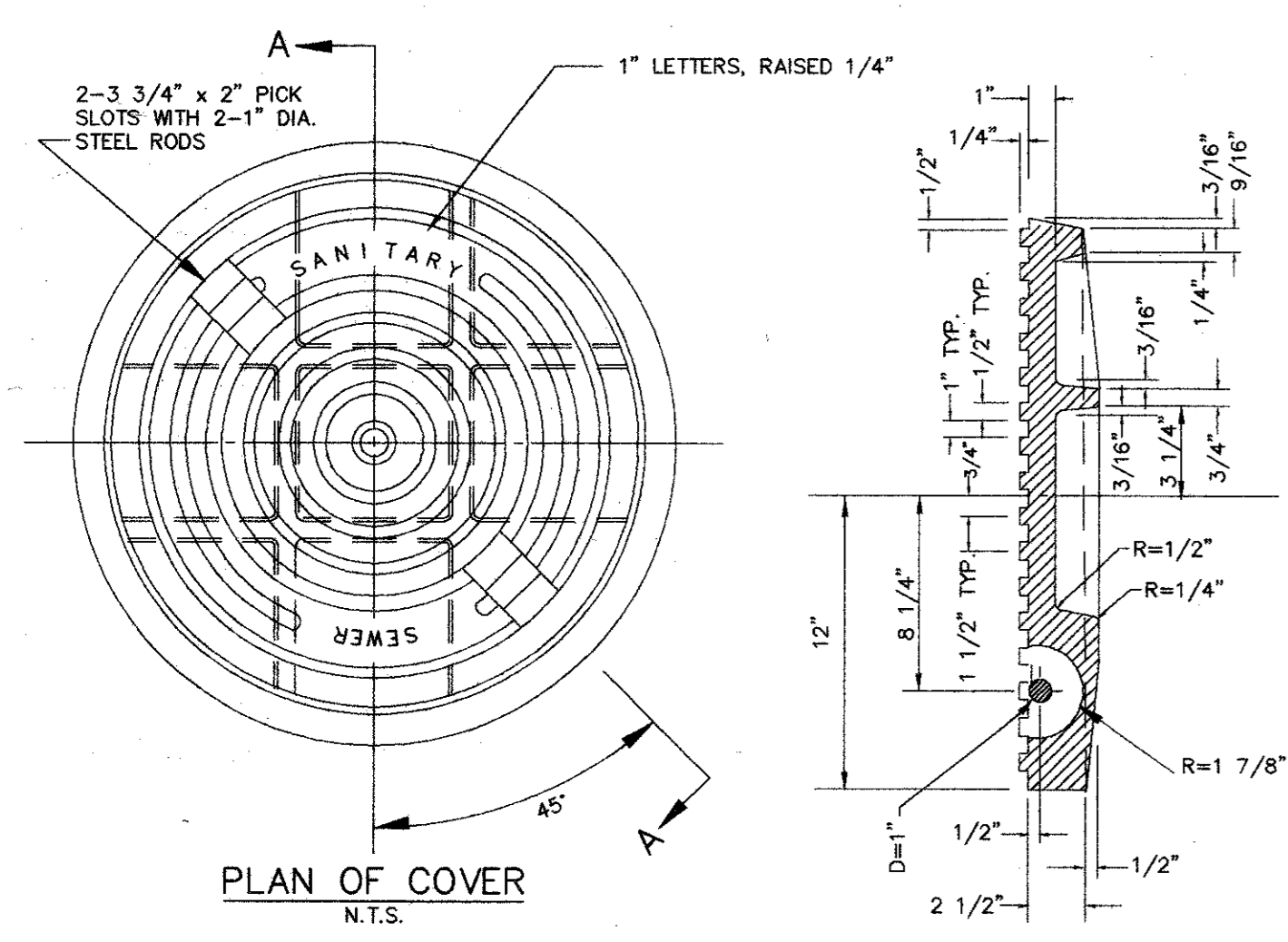
**FIBERGLASS MANHOLE**



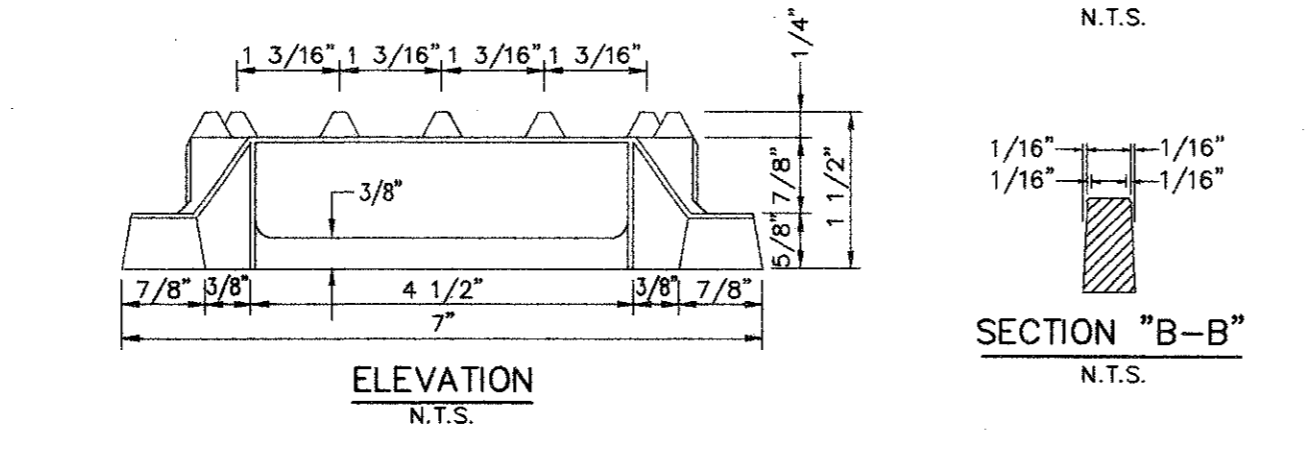
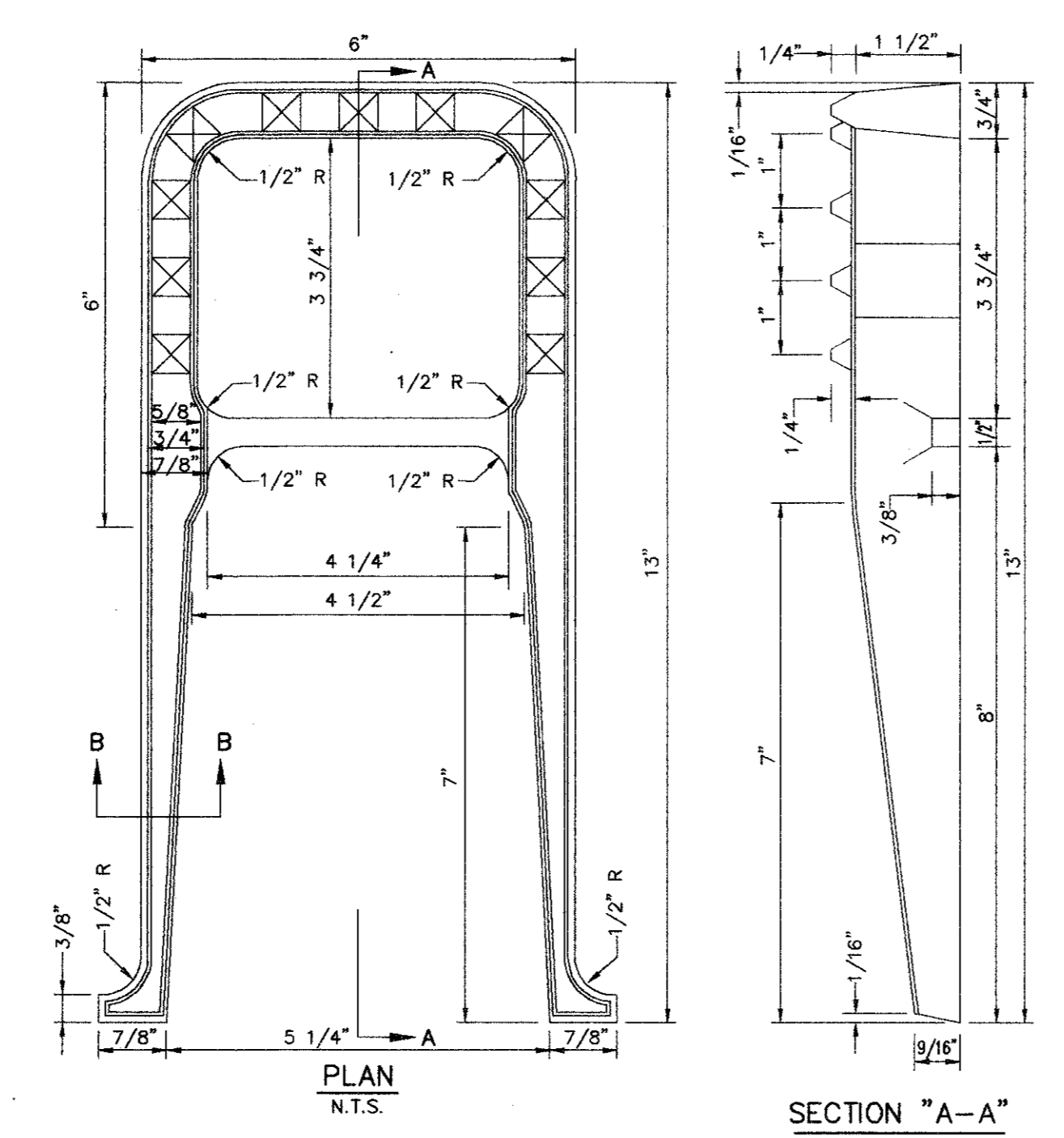
T = WALL THICKNESS  
 D = MANHOLE DIAMETER  
 G = PIPE DIAMETER



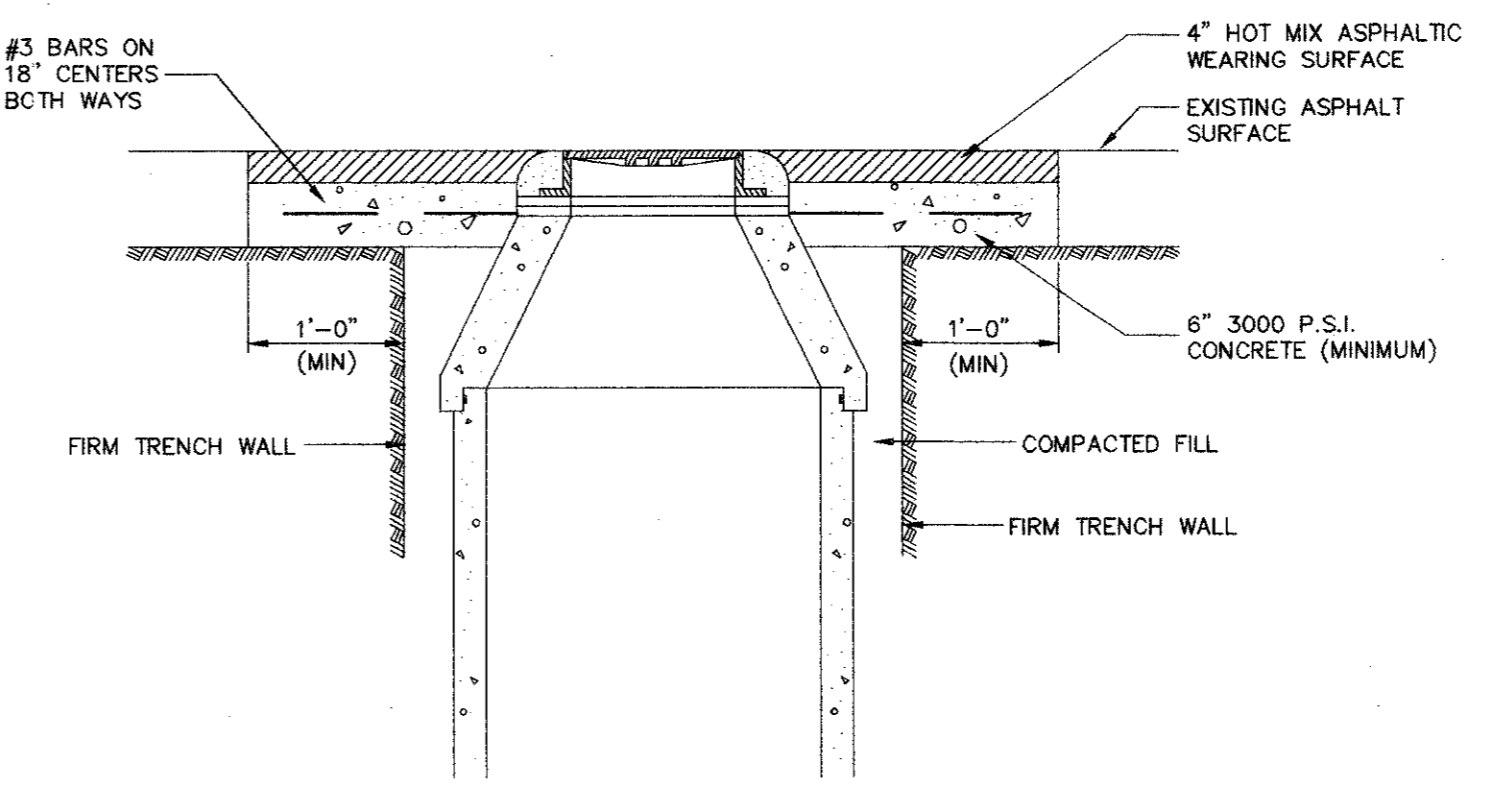
**SEWER LINE INTERSECTION MANHOLE BOTTOM**



**MANHOLE FRAME AND COVER**



**FIBERGLASS MANHOLE STEP**



**PAVEMENT REPAIR**

REVISD 12-09-92

**PACHECO KOCH** Consulting Engineers, Inc. 9401 LBJ Freeway, Suite 300 Dallas, Texas 75248 (214) 285-8081

**MISCELLANEOUS DETAILS**  
 SANITARY SEWER IMPROVEMENTS  
 LOOS ATHLETIC CENTER  
 DALLAS INDEPENDENT SCHOOL DISTRICT  
 TOWN OF ADDISON, TEXAS

DESIGN	DRAWN	DATE	SCALE	NOTES	FILE	NO.
MAP	MAP	NOV 1992	NOTED			2 OF 2

