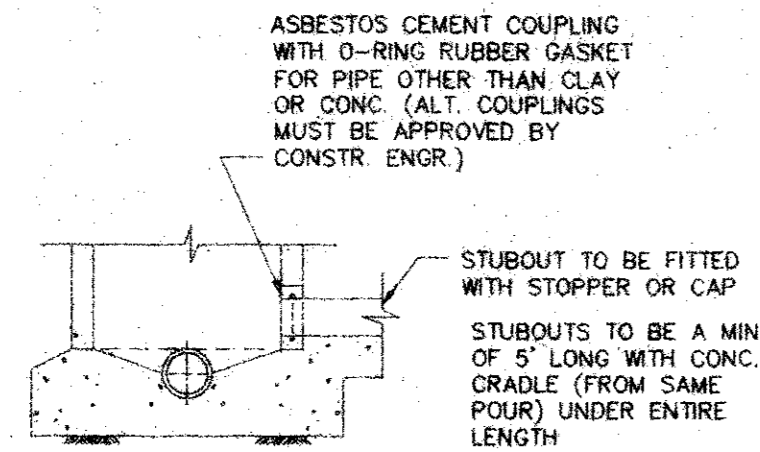
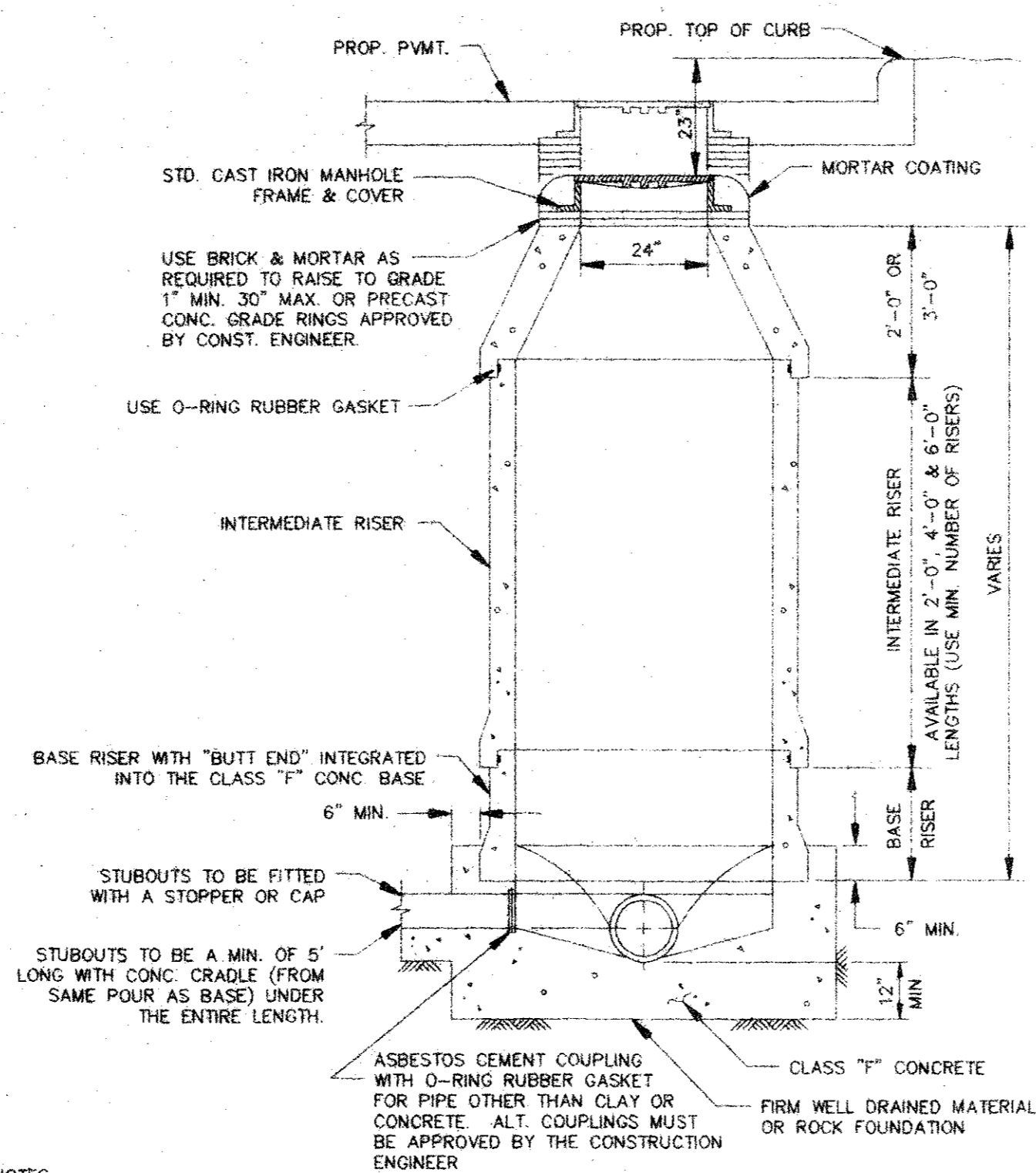


- NOTES:**
- WHERE M.H.'S ARE IN "PROPOSED" PAVING, FRAME & COVER SHALL BE SET 23" BELOW THE PROPOSED TOP OF CURB OR FLUSH WITH GROUND LINE - WHICHEVER IS LOWER (CITY CONTRACTS ONLY). ON PRIVATE CONTRACTS M.H. RING & COVER TO BE SET TO GRADE OF PROP. PAVING.
 - IF FALSE M.H. BOTTOMS ARE REQUIRED THEY SHALL BE CONSTRUCTED, INSTALLED AND REMOVED AS SPECIFIED.

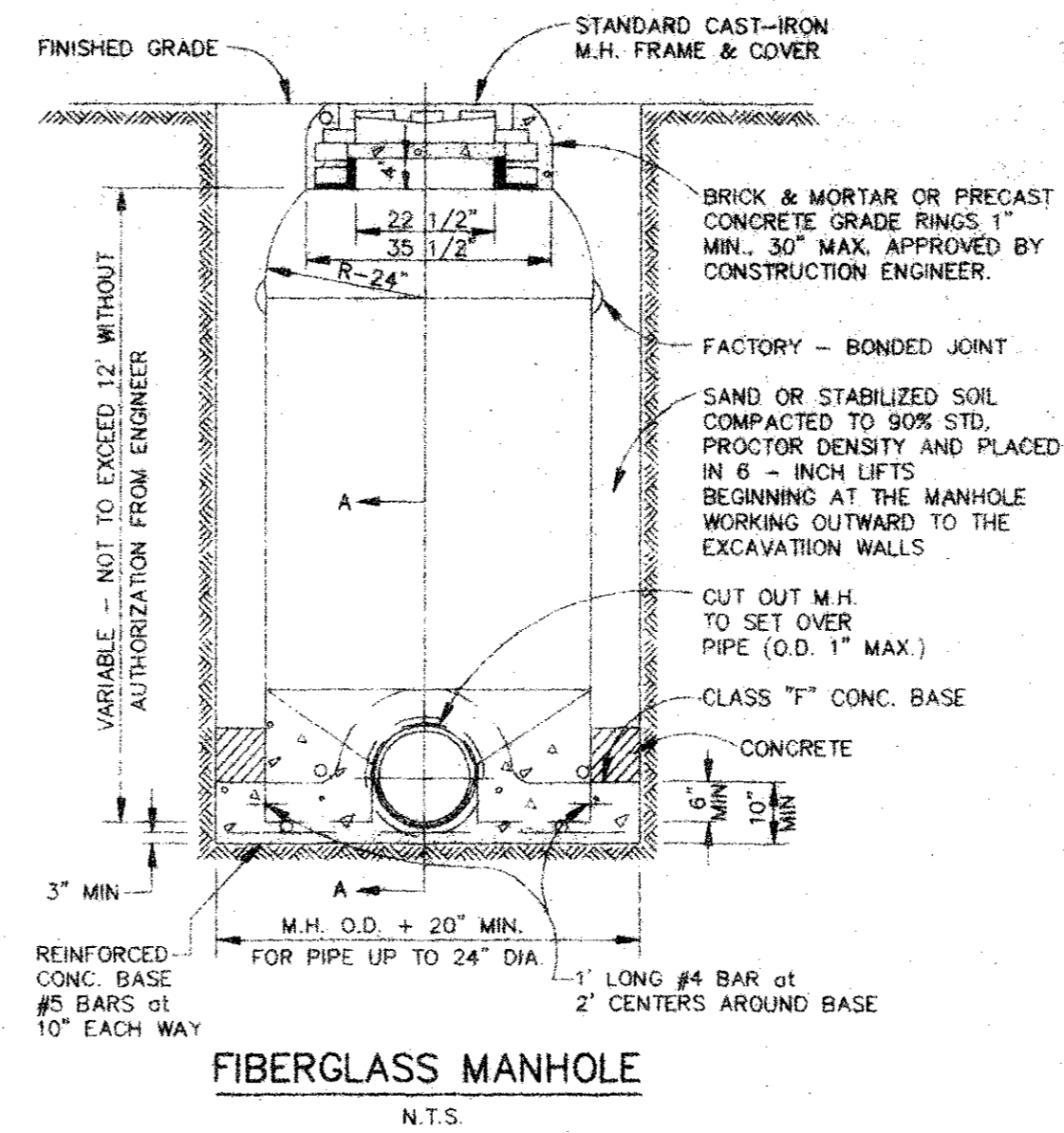


CAST-IN-PLACE MANHOLE

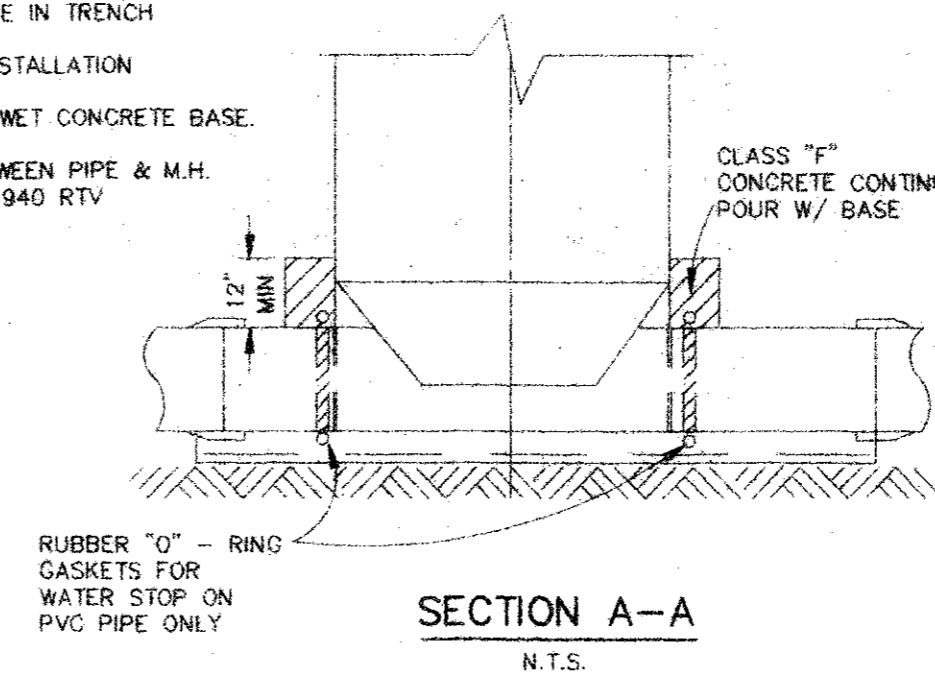


- NOTES:**
- WHERE M.H.'S ARE IN PROP. PVMT FRAME & COVER SHALL BE SET 23" BELOW THE PROP. TOP OF CURB, AS SHOWN ABOVE, OR FLUSH WITH THE EXIST. GROUND WHICHEVER IS LOWER (CITY CONTRACTS ONLY). ON PRIVATE CONTRACTS M.H. RING & COVER TO BE SET TO GRADE OF PROP. PVMT.
 - IF FALSE M.H. BOTTOMS ARE REQUIRED, THEY SHALL BE CONSTRUCTED, INSTALLED AND REMOVED AS SPECIFIED.

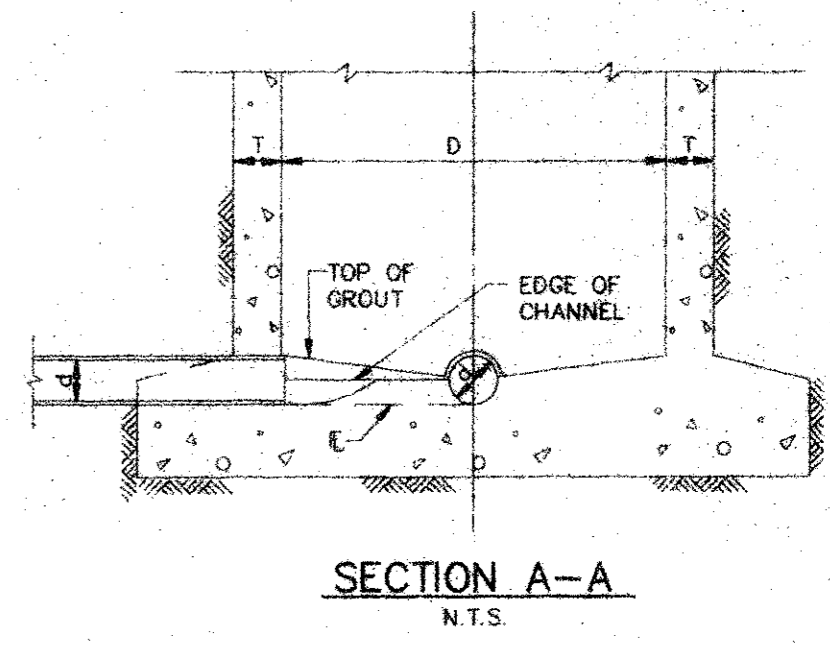
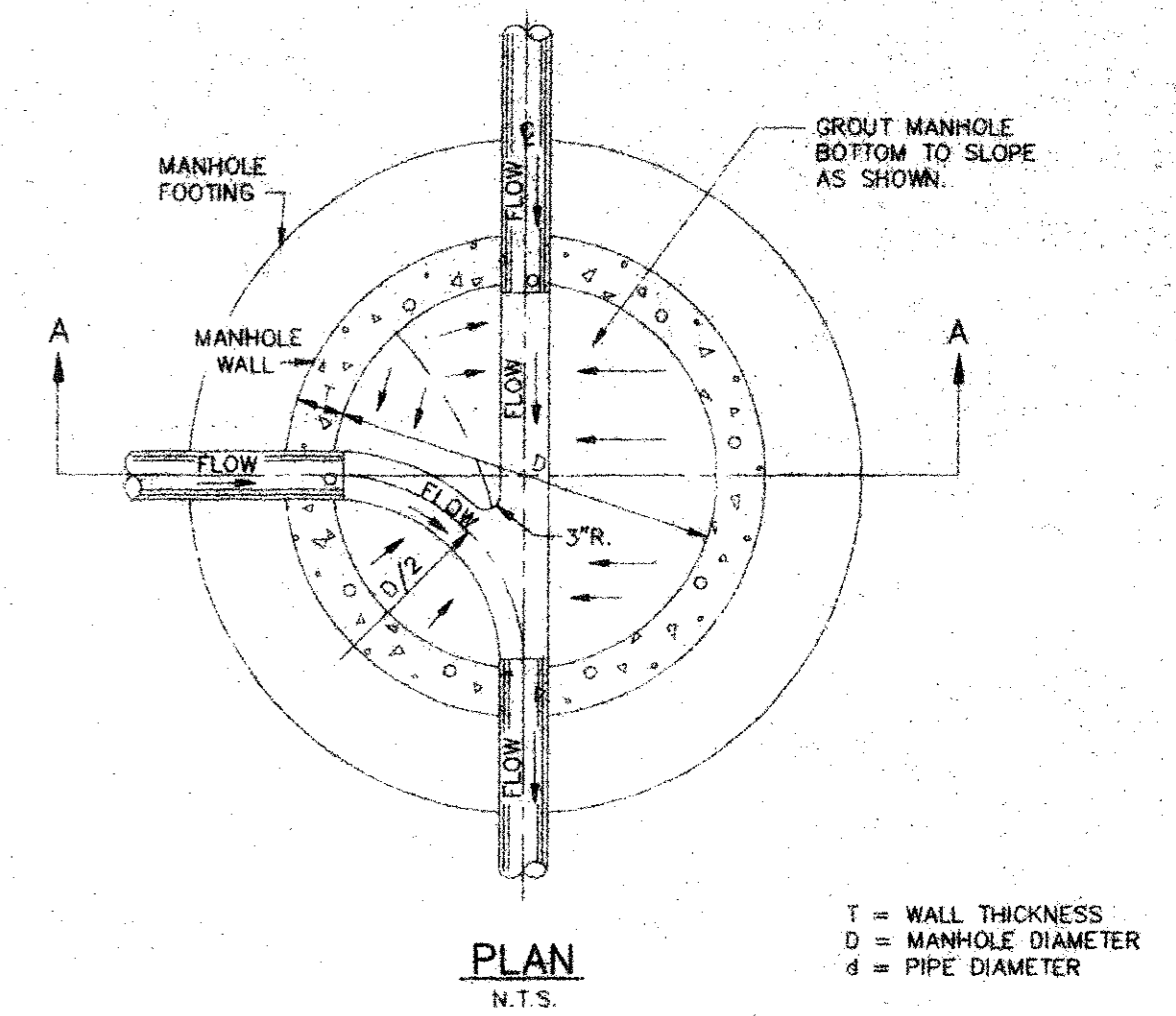
PRECAST CONCRETE MANHOLE



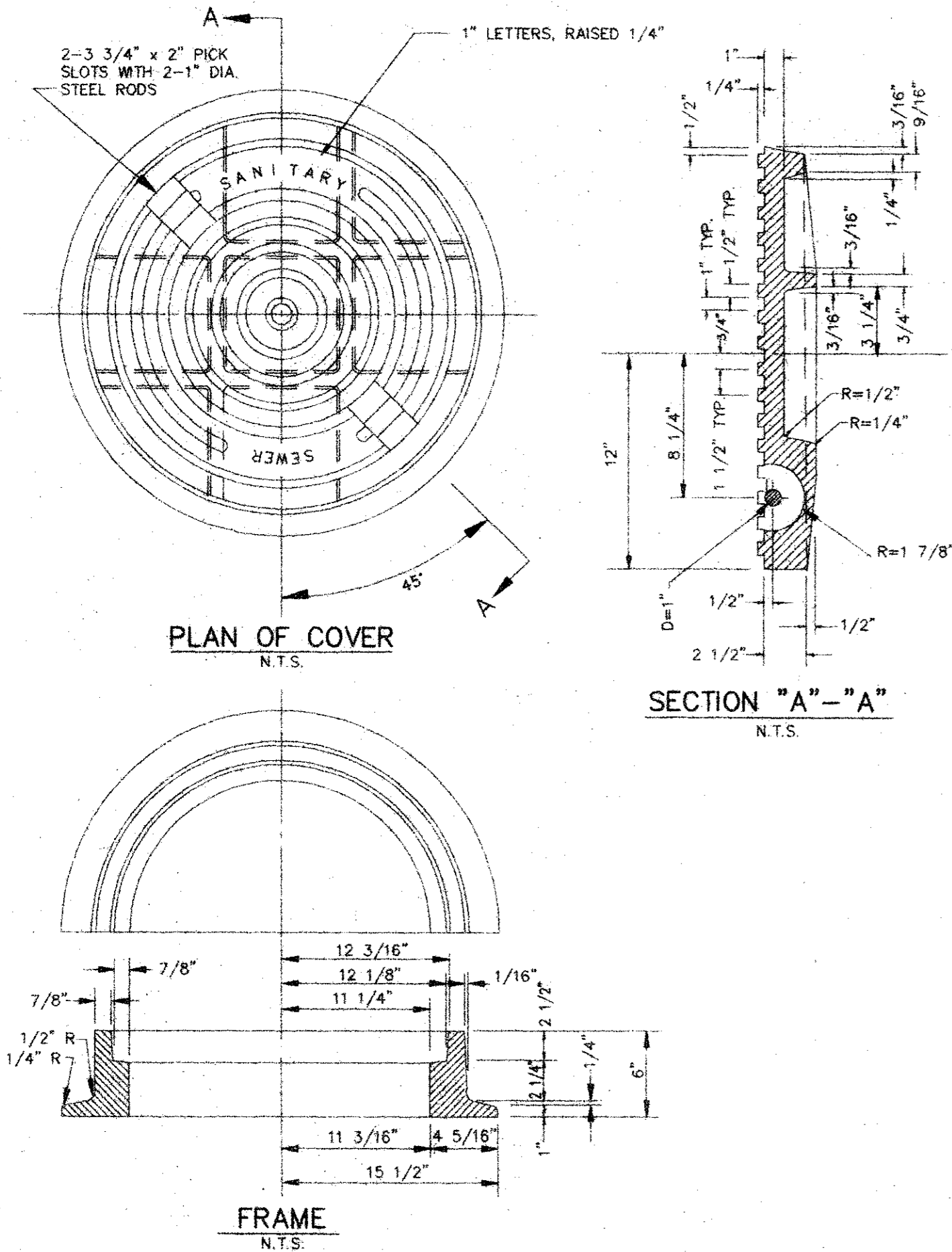
- NOTES:**
- CONCRETE BASE TO BE POURED IN - PLACE IN TRENCH
 - M.H. CUT-OUT TO BE MADE AT TIME OF INSTALLATION
 - M.H. TO BE INSTALLED BY INSERTING INTO WET CONCRETE BASE.
 - FUTURE CONNECTIONS: IF A SEALANT BETWEEN PIPE & M.H. IS NEEDED, USE STAUFFER CHEMICAL SWS 940 RTV SILICONE SEALANT, OR APPROVED EQUAL.



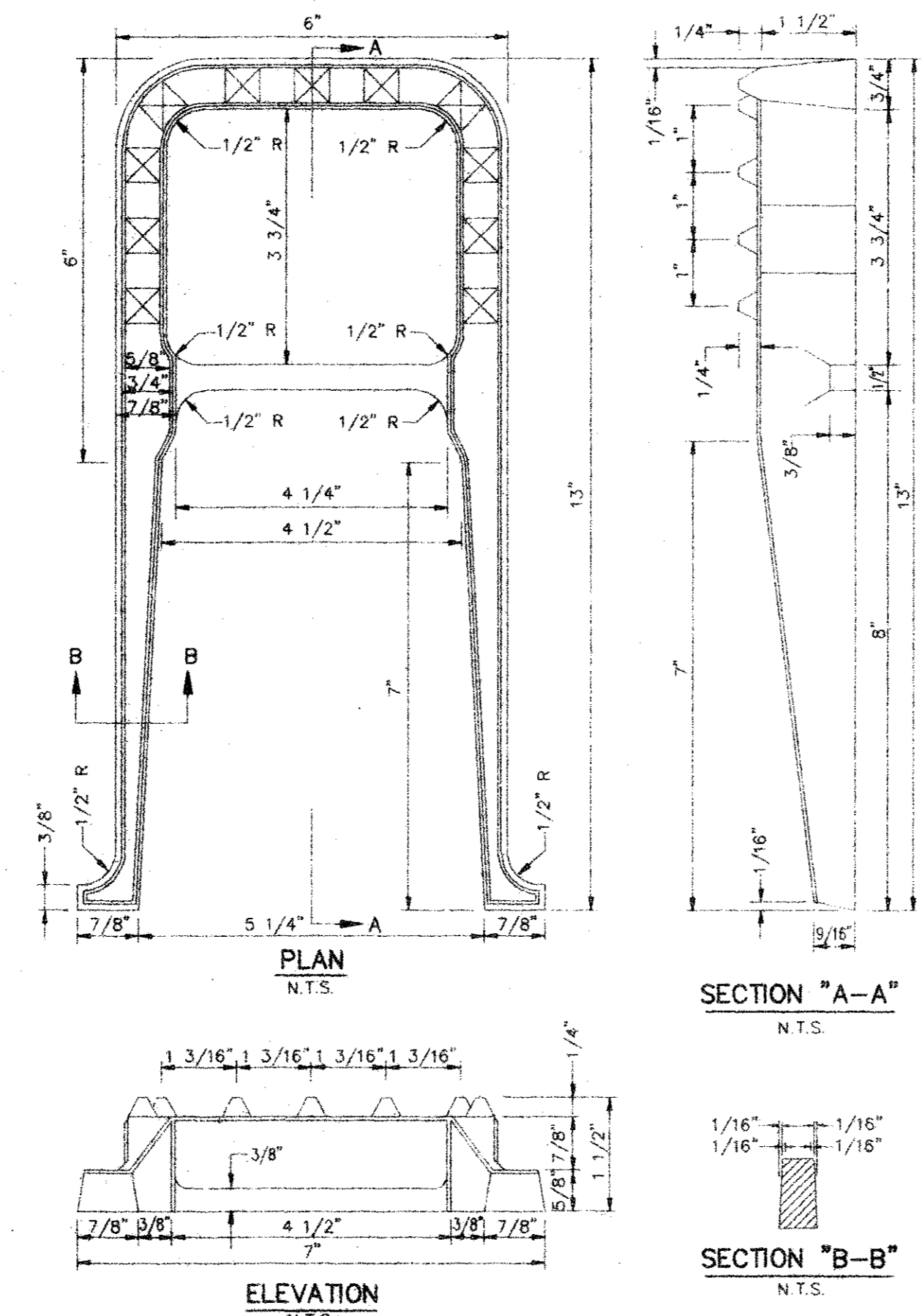
FIBERGLASS MANHOLE



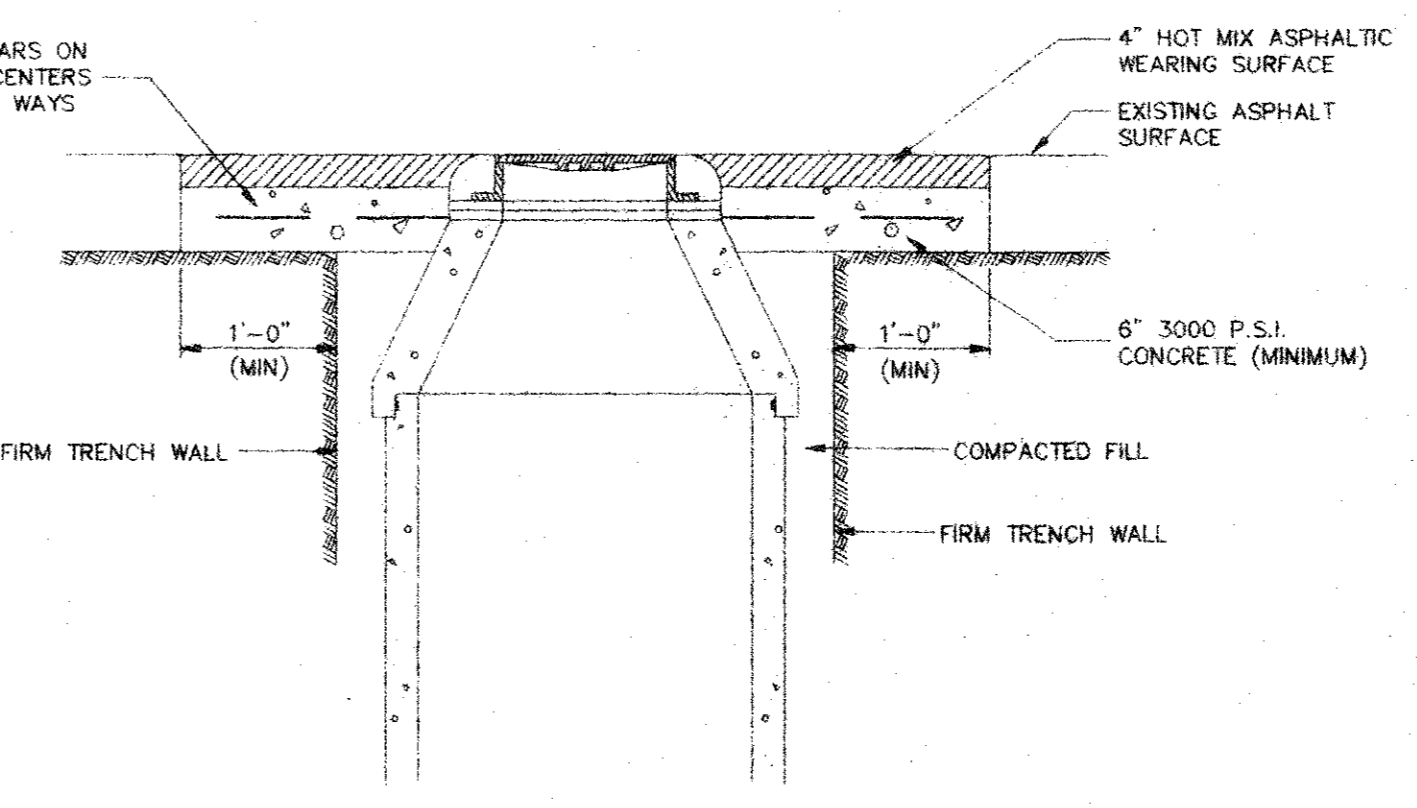
SEWER LINE INTERSECTION MANHOLE BOTTOM



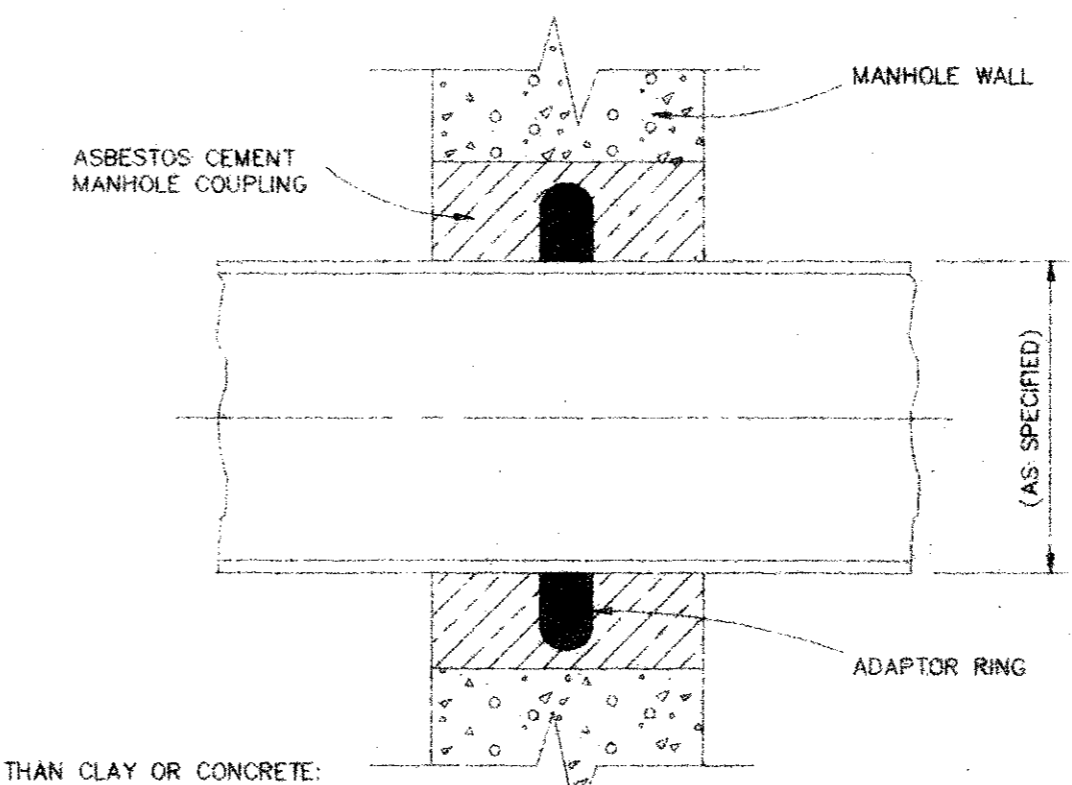
MANHOLE FRAME AND COVER



MANHOLE STEP



PAVEMENT REPAIR



WALL COLLAR

- NOTES:**
- FOR PIPE OTHER THAN CLAY OR CONCRETE:
- ASBESTOS CEMENT COUPLINGS REQUIRED ON ALL MANHOLE PENETRATIONS FOR ALL PIPES 15" AND SMALLER.
 - O-RING GASKET TO BE PLACED ON ALL PIPES 18" AND LARGER, AND CAST INTO WALL OF MANHOLE.

PACHECO KOCH 9401 LBJ Freeway, Suite 800
Consulting Engineers, Inc. Dallas, Texas 75248 (214) 286-9081

MISCELLANEOUS DETAILS

SANITARY SEWER IMPROVEMENTS

LOOS ATHLETIC CENTER

DALLAS INDEPENDENT SCHOOL DISTRICT

TOWN OF ADDISON, TEXAS

DESIGN	DRAWN	DATE	SCALE	NOTES	FILE	NO.
MAP	MAP	OCT 1992	NOTED			2 OF 2

