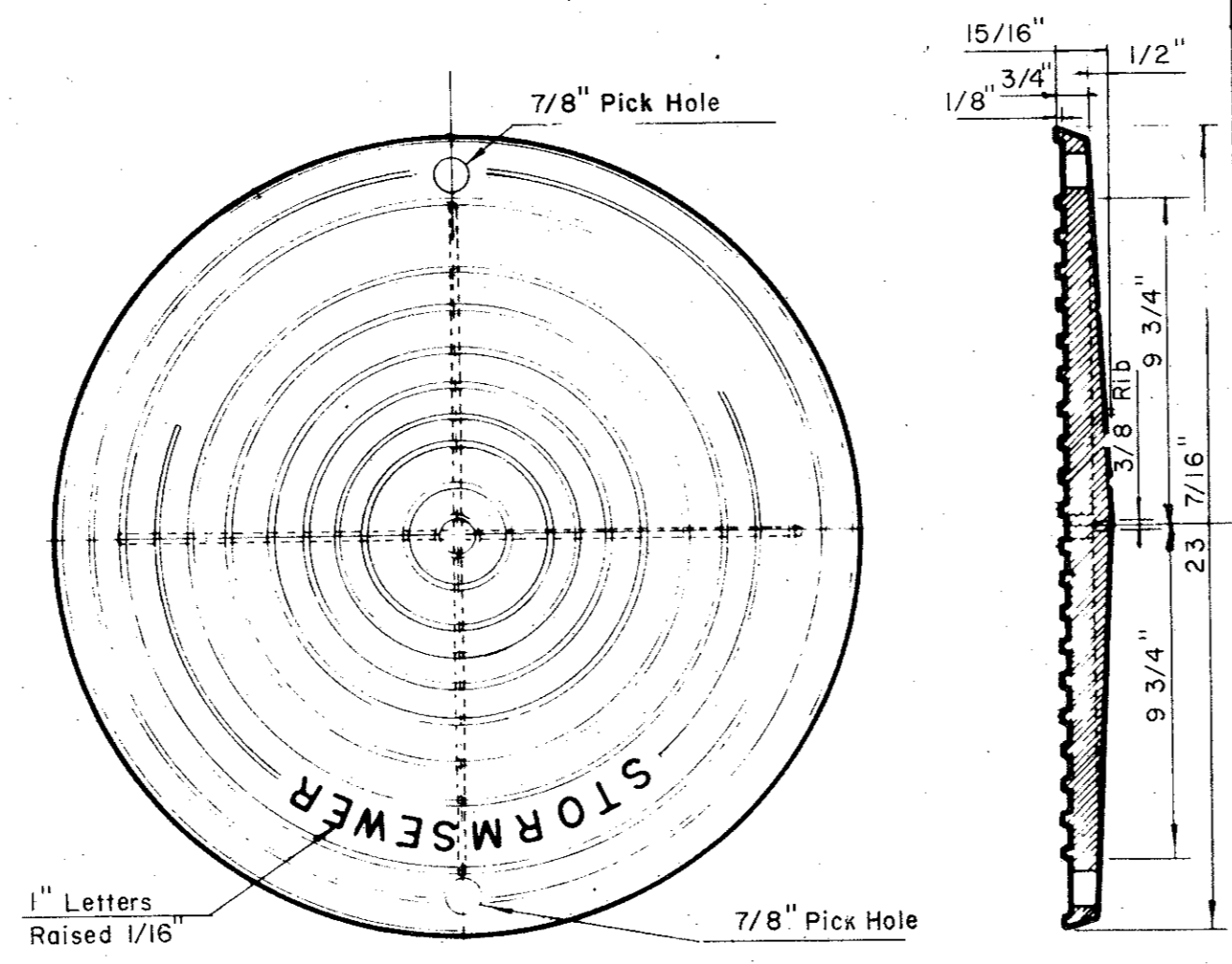
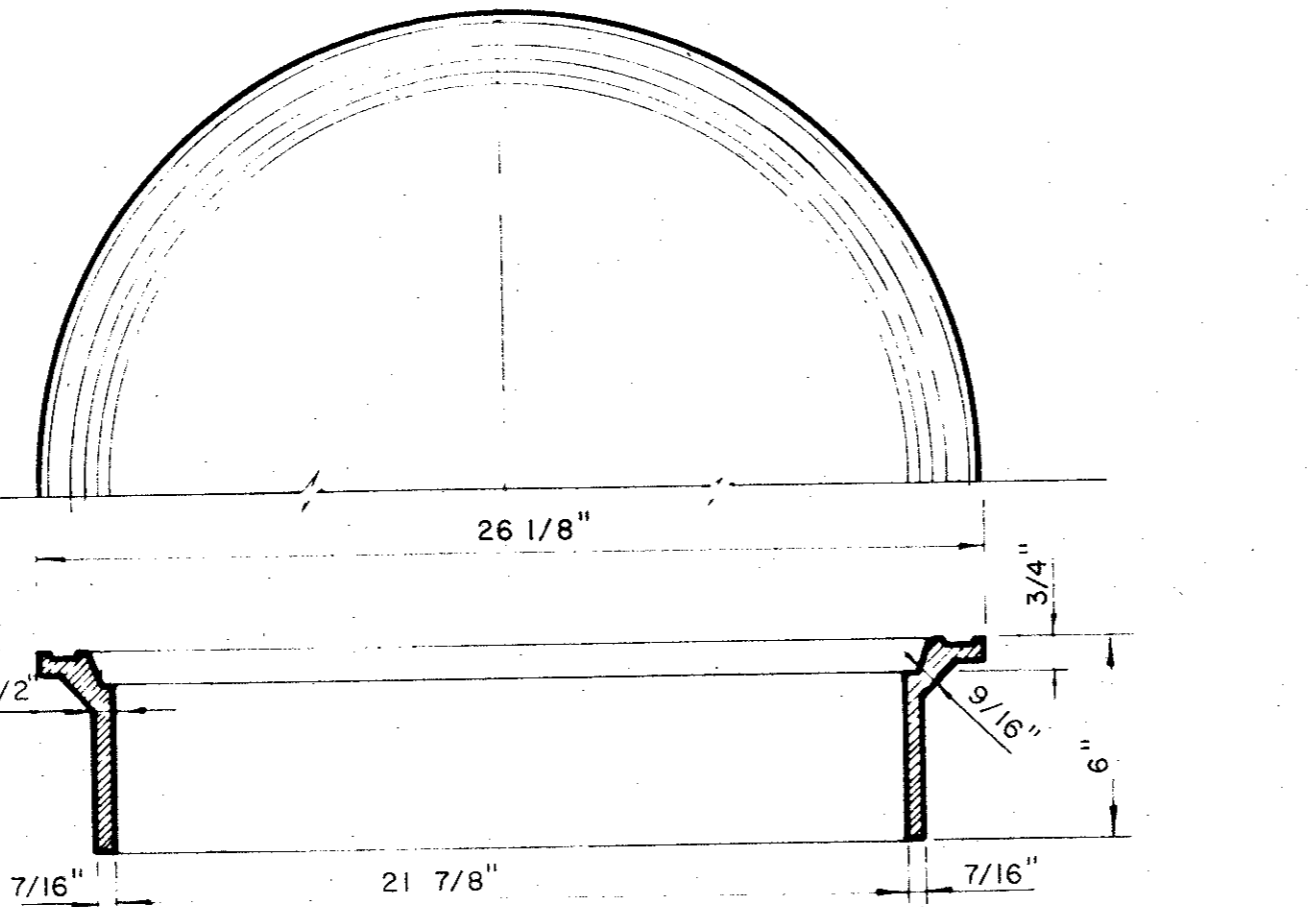


SECTION B-B

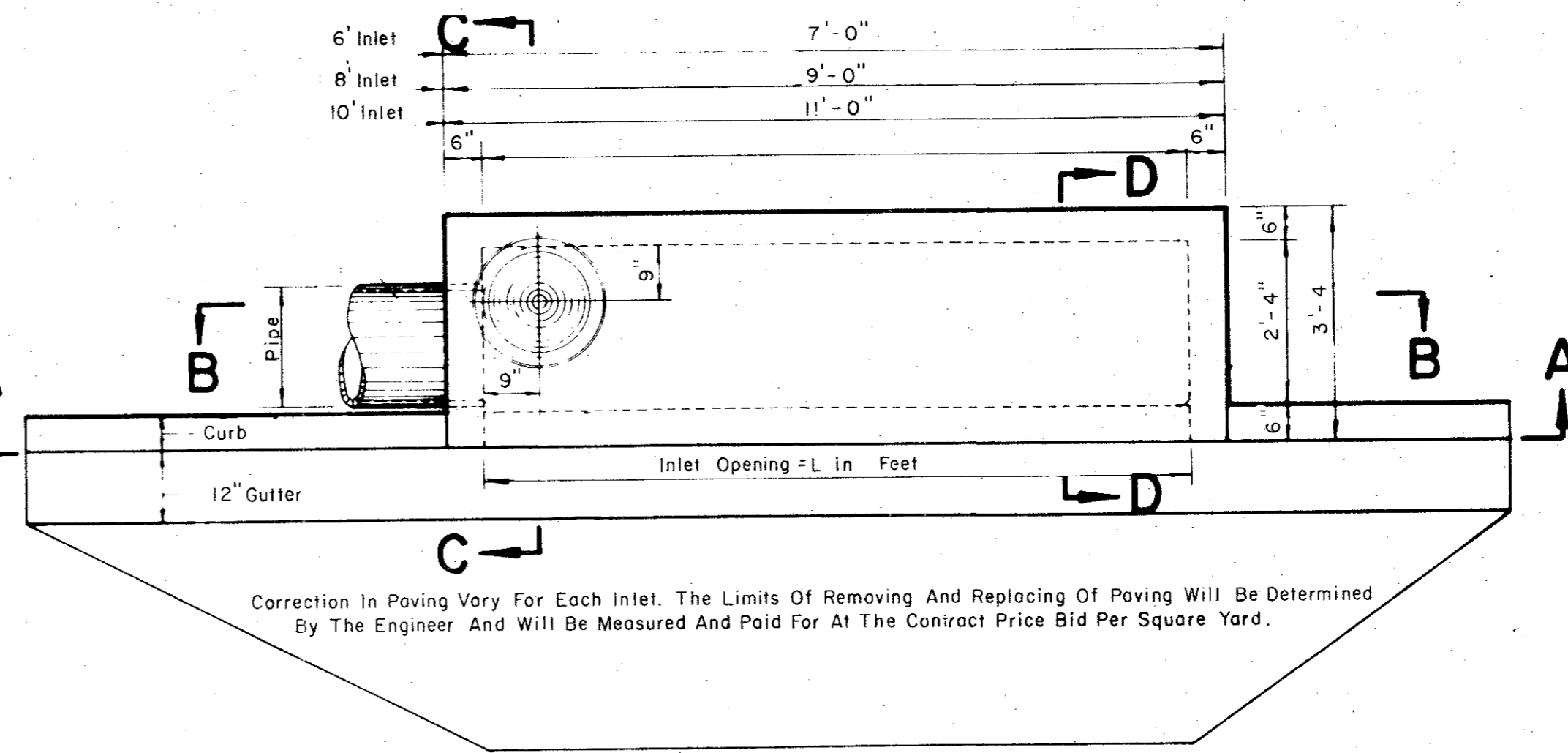
SECTION C-C



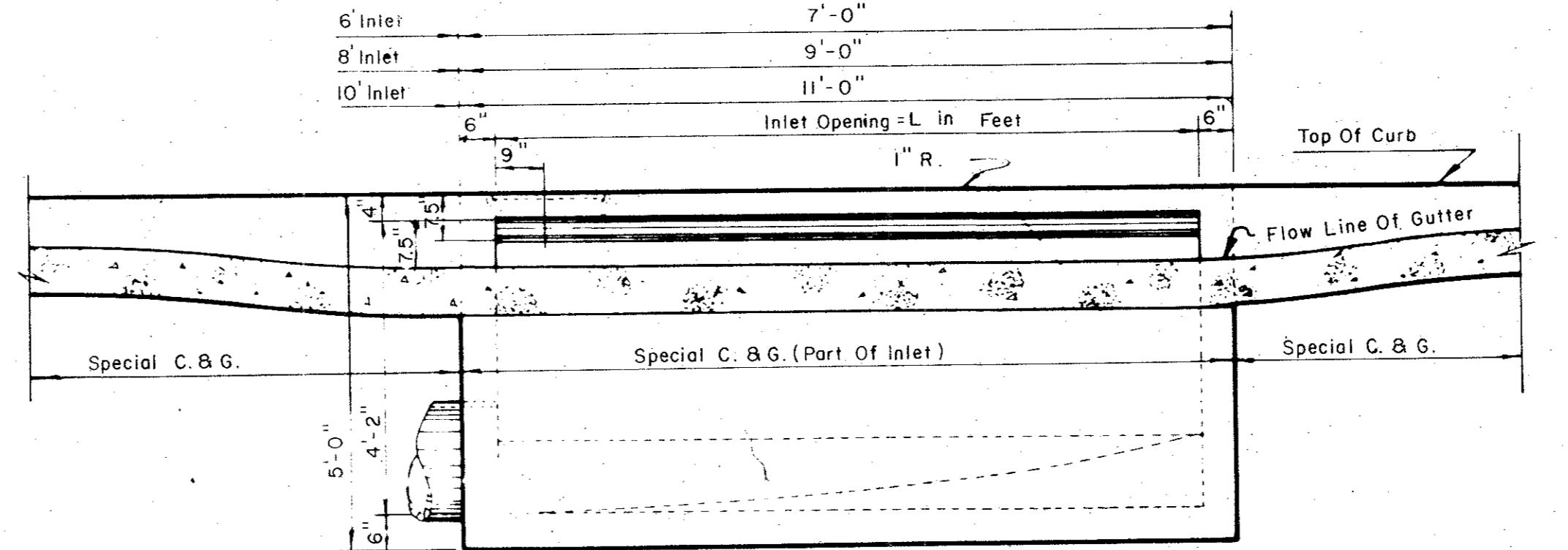
PLAN OF COVER



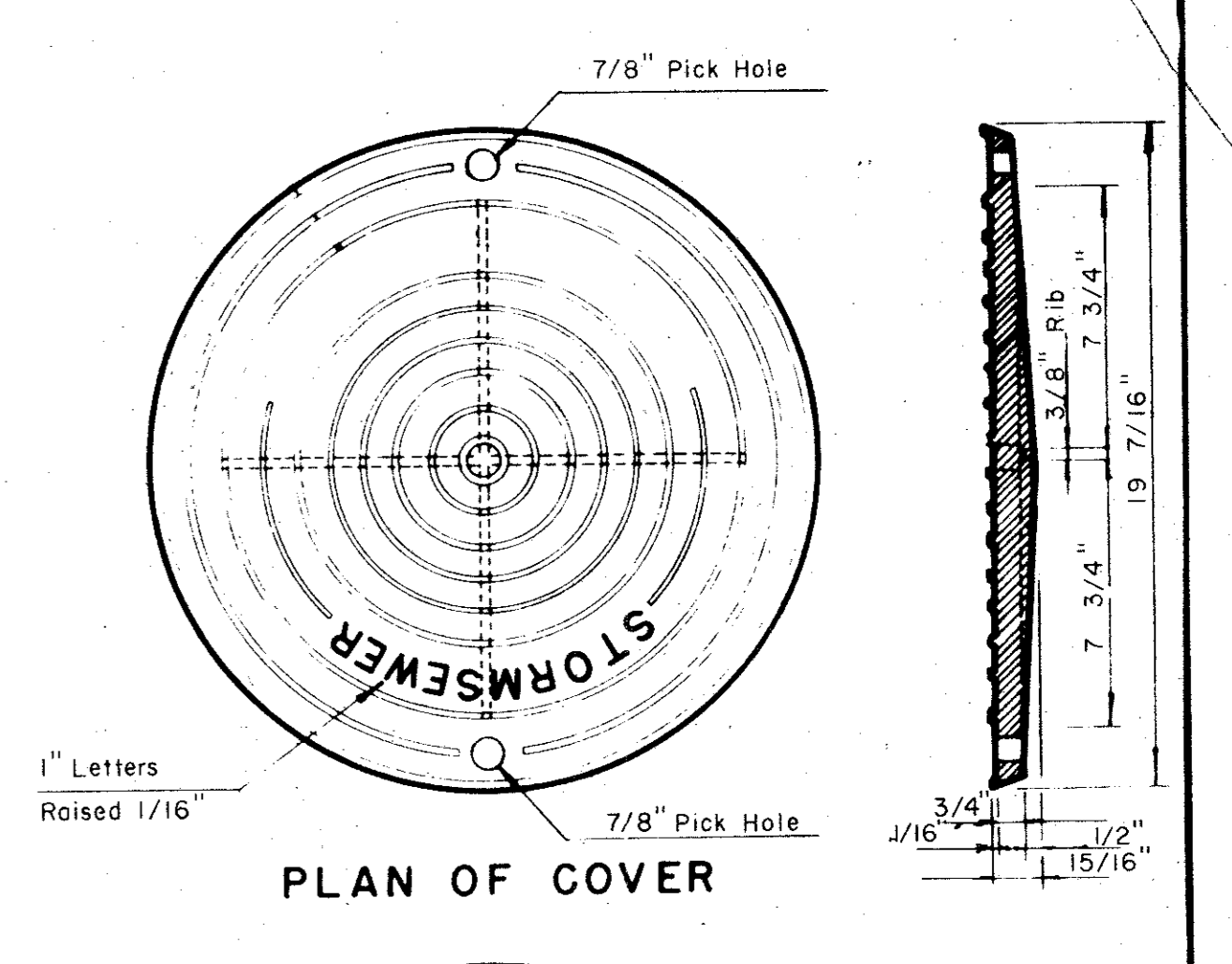
SECTION OF FRAME INLET FRAME AND COVER



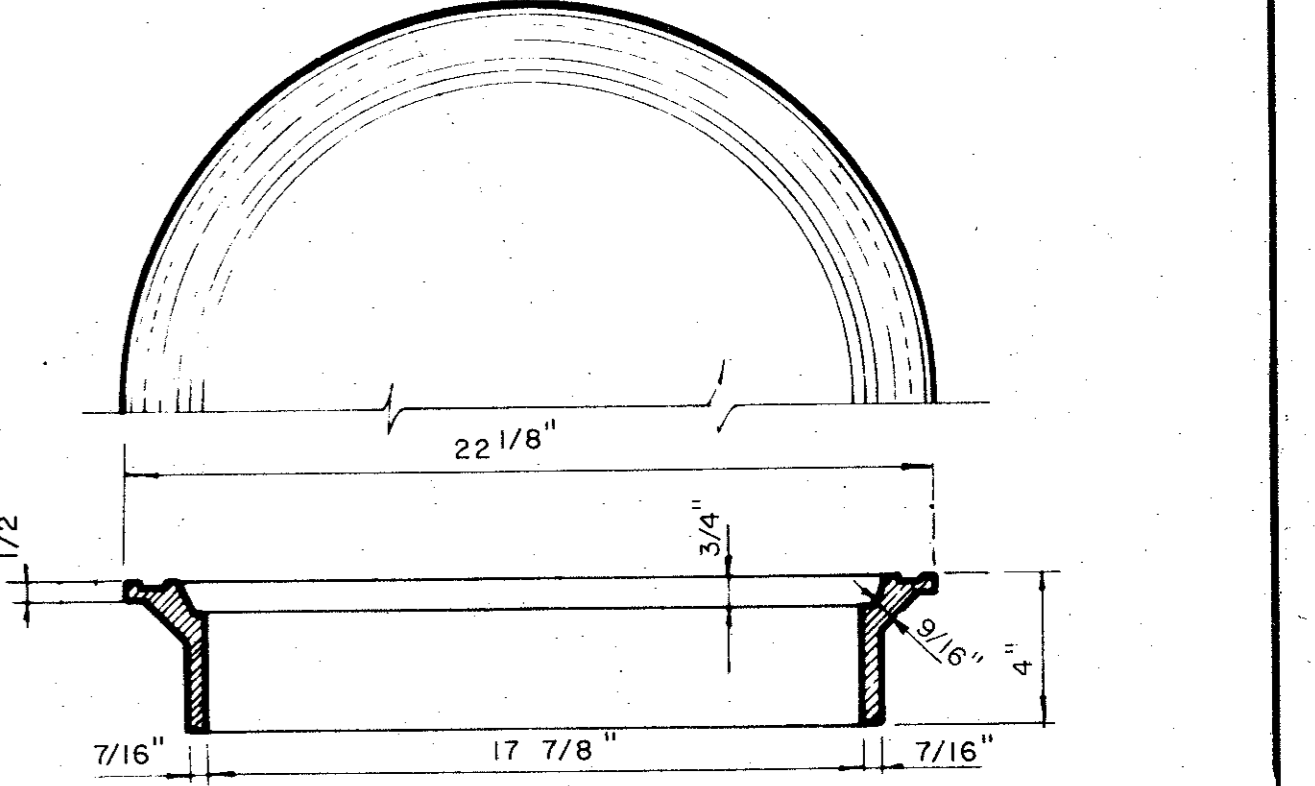
PLAN



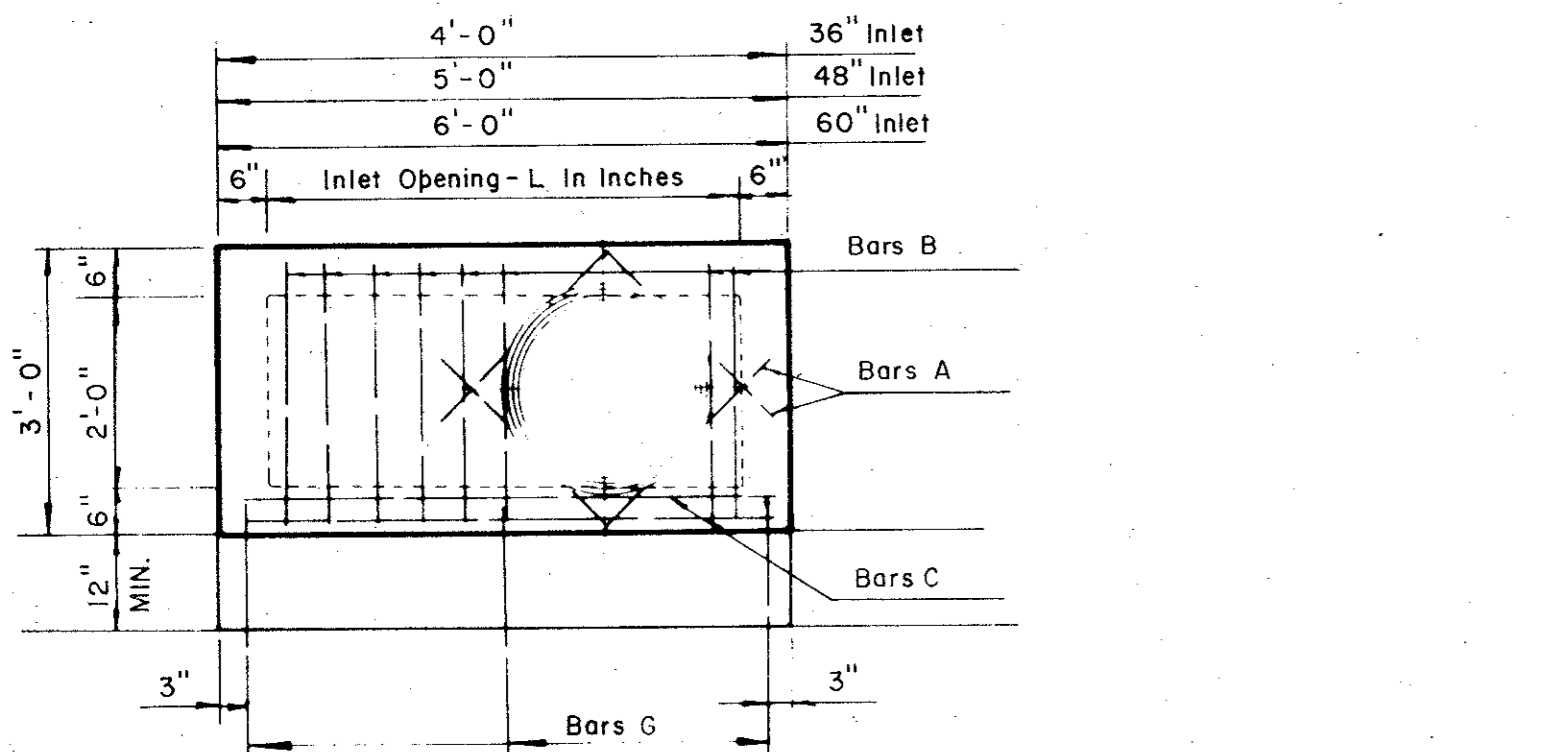
SECTION A-A



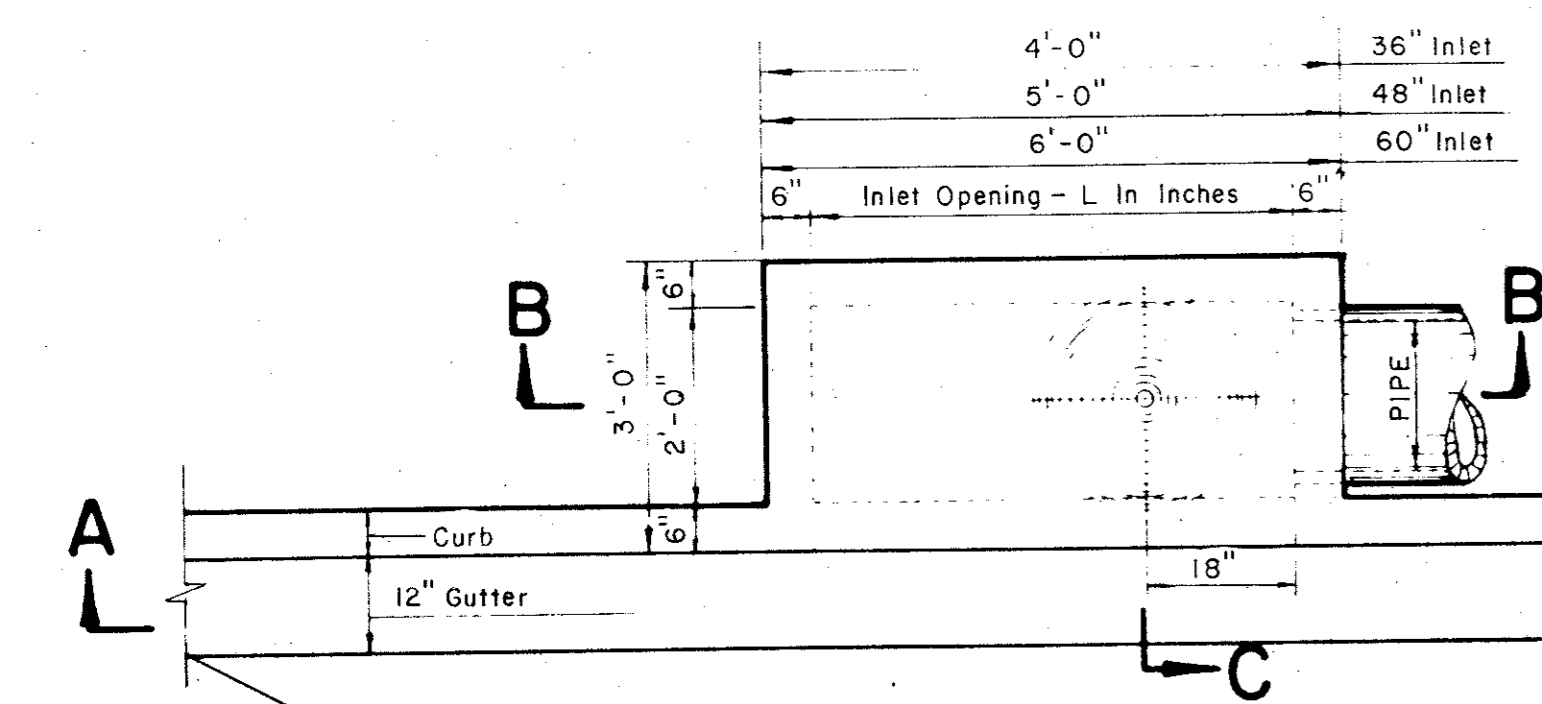
PLAN OF COVER



SECTION OF FRAME INLET FRAME AND COVER



REINFORCING PLAN

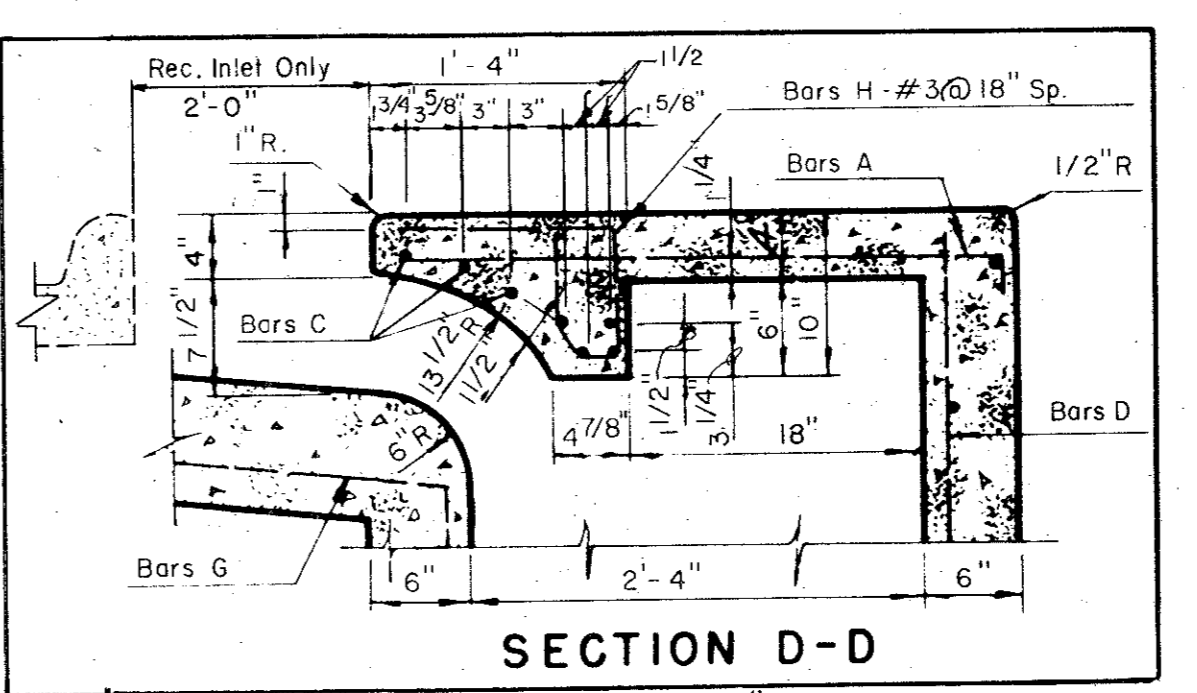


PLAN

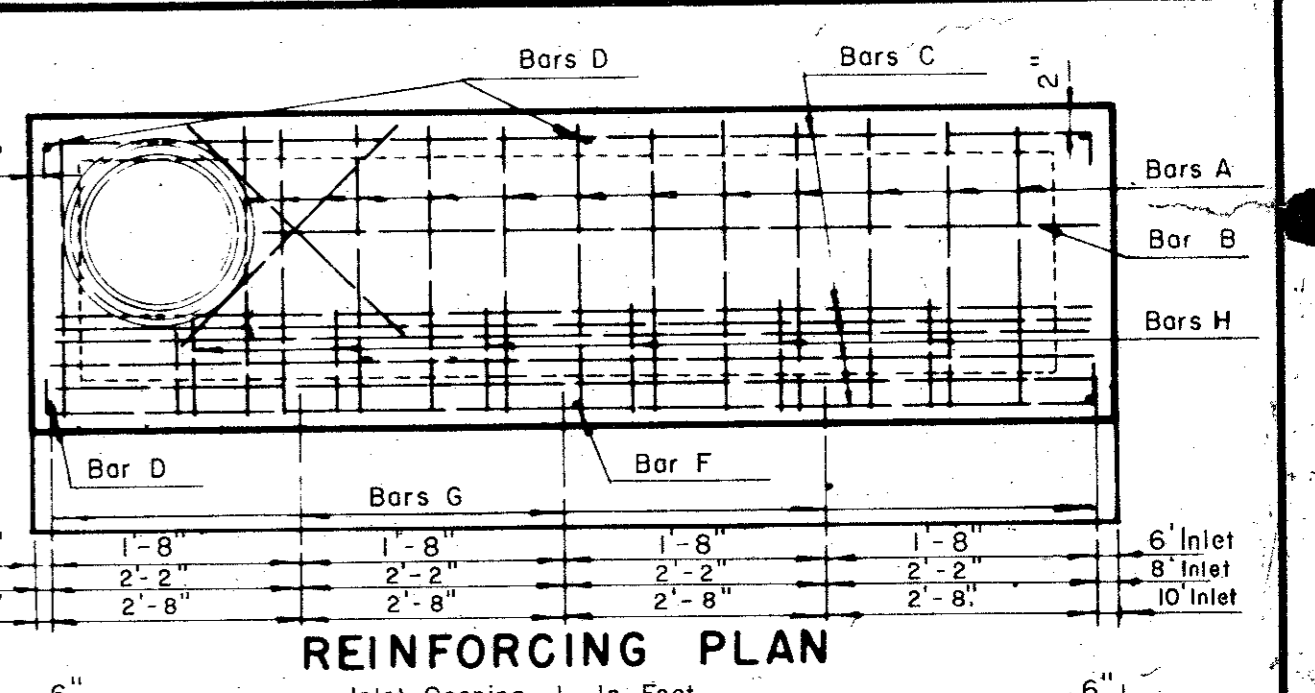
Note: On 48" and 60" Inlets The Inlet Frame and Cover Shall Be At Same End Of Inlet As Pipe.

2'-6"	36" Inlet - #5-4 Required
2'-6"	48" Inlet - #5-4 Required
2'-6"	60" Inlet - #5-4 Required
BARS A	
2'-9"	36" Inlet - #5-4 Required
2'-9"	48" Inlet - #5-6 Required
2'-9"	60" Inlet - #5-8 Required
BARS B	
3'-9"	36" Inlet - #5-2 Required
4'-8"	48" Inlet - #5-2 Required
5'-9"	60" Inlet - #5-2 Required
BARS C	
3'-0"	36", 48" & 60" Inlets #3-3 Required
BARS G	

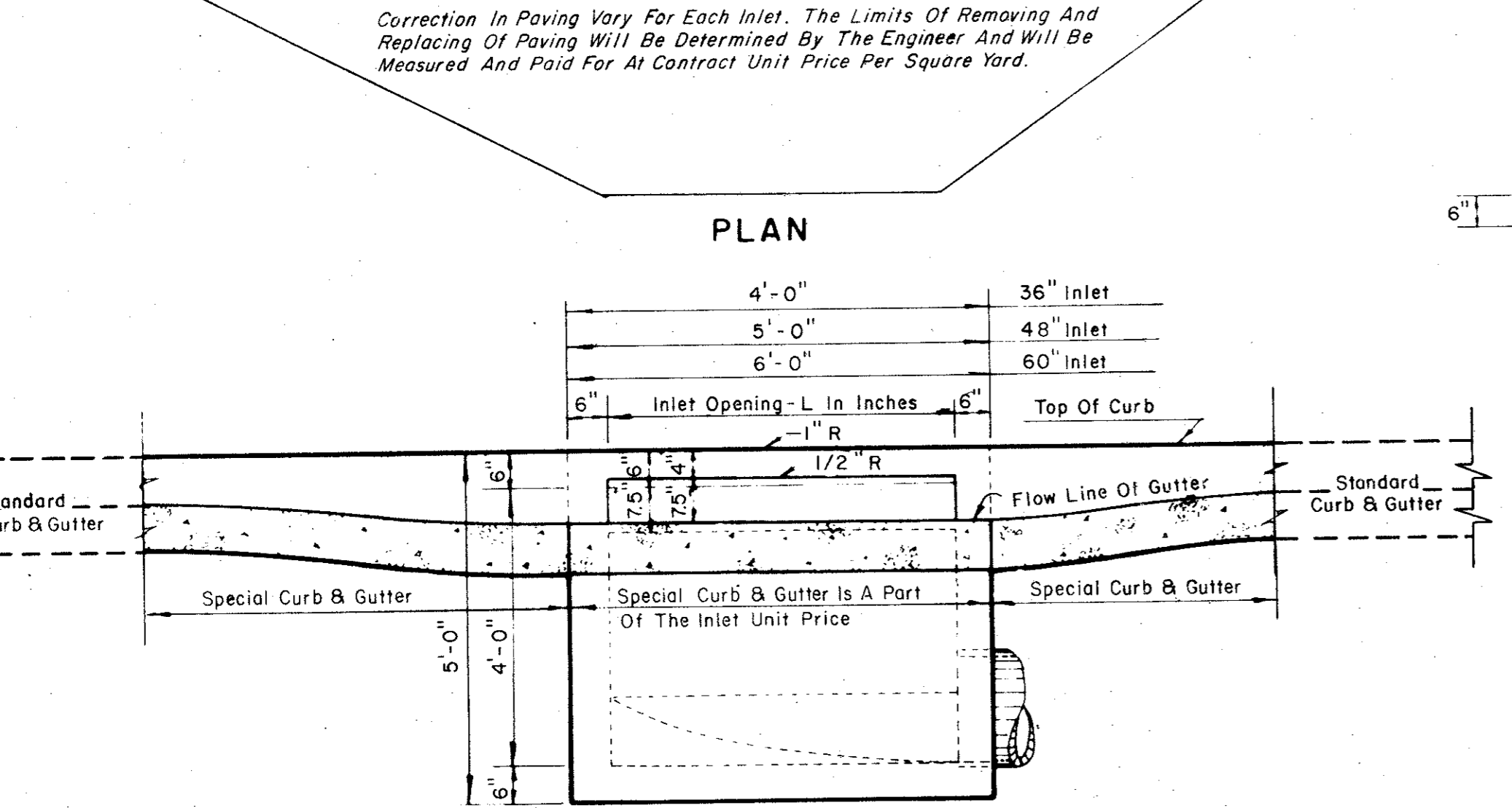
3'-0"	6" Inlet - #3-10 Required
3'-0"	8" Inlet - #3-13 Required
3'-0"	10" Inlet - #3-16 Required
BARS H	
4'-10"	6" Inlet - #3-1 Required
6'-10"	8" Inlet - #3-1 Required
8'-10"	10" Inlet - #3-1 Required
BARS A	
6'-8"	6" Inlet - #4-15 Required
8'-8"	8" Inlet - #4-15 Required
10'-8"	10" Inlet - #4-15 Required
BARS B	
4'-8" - 6', 8' & 10' Inlet	#4-5 Required
3'-6" - 6', 8' & 10' Inlet	#4-1 Required
3'-0" - 6', 8' & 10' Inlet	#3-5 Required
BARS D	
BARS F	
BARS G	



SECTION D-D



REINFORCING PLAN



SECTION A-A

36, 48 AND 60 INCH INLETS

NOTES:

- Concrete Shall Have A Min. Compressive Of 3,000 P.S.I. At 28 Days.
- Lateral Pipe May Enter Inlet At Any Location. (Field Locate)
- The 12" Gutter In Front Of Inlet Is A Part Of The Inlet And Shall Be Built With The Inlet.
- Top Of Inlet Slope Shall Conform To Adjacent Parkway Normal 1/4" Ft. Slope.

6, 8 AND 10 FOOT INLETS

STANDARD CURB INLET

36, 48 & 60 INCH INLET
6, 8 & 10 FOOT INLET

Record Set 5/9/85

CITY OF ADDISON DALLAS COUNTY, TEXAS	
DRAINAGE DETAILS A	
GINN, INC. Consulting Engineers - Dallas, Texas	
DESIGNED - H.B.J.	DATE
DRAWN - S.M.M.	CHECKED - G.F.
APPROVED - H.W.G.	SCALE - NONE
SHEET 28 OF	