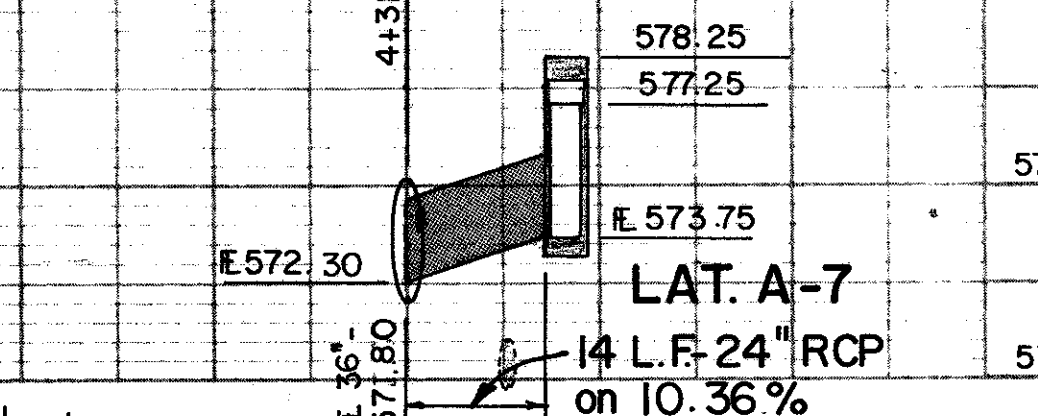
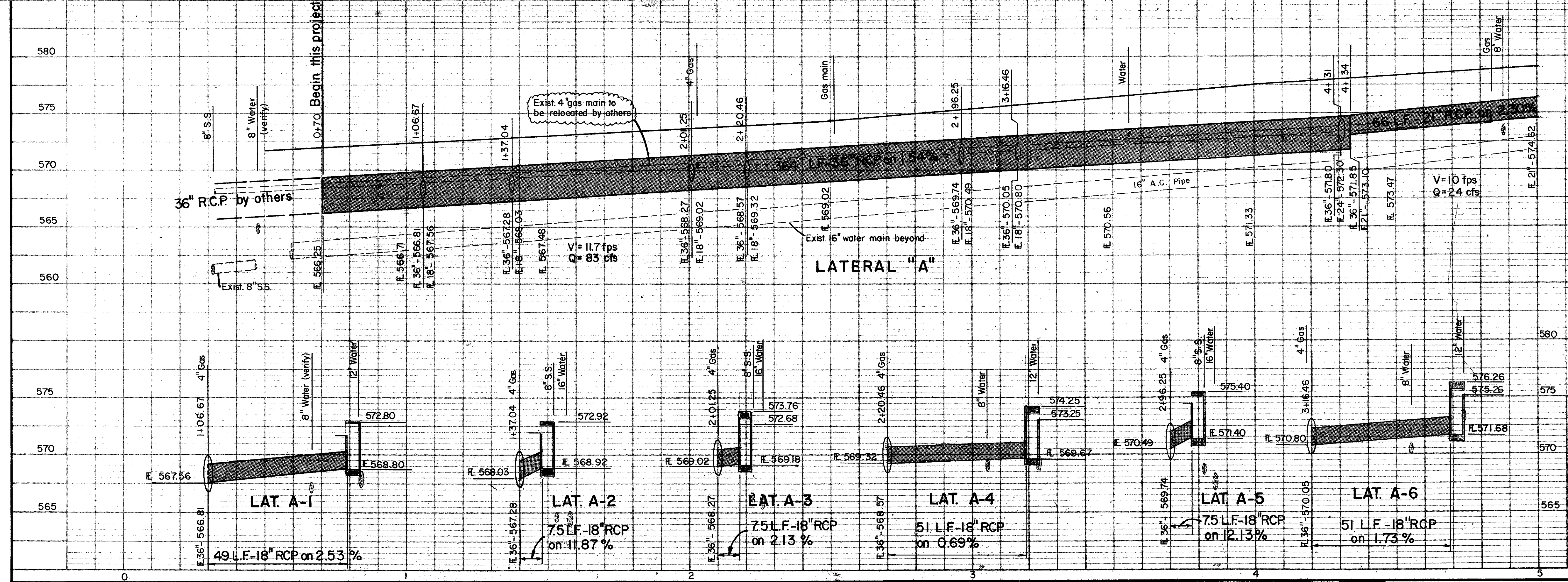


NOTE: (Typical ALL sheets)  
 CONTRACTOR SHALL EXPOSE AND VERIFY ELEVATION OF EXISTING UTILITIES PRIOR TO LOWERING OR ADJUSTMENT AND SHALL NOTIFY ENGINEER, IN WRITING, OF DISCREPANCIES W/ ELEVATIONS AS INDICATED ON PLAN.



No.	Revision	By	Date
CITY OF ADDISON DALLAS COUNTY, TEXAS <b>SPRING VALLEY ROAD</b>			
<b>DRAINAGE - STA. 0+00 to STA. 5+00</b>			
<b>GINN, INC.</b> Consulting Engineers Dallas, Texas			
Designed - GF	Drawn - GF	Date -	Job No. - J-178
Approved - HWG	Checked - HBJ	Scale - 1" = 20' H., 1" = 5' V.	Sheet 18 of