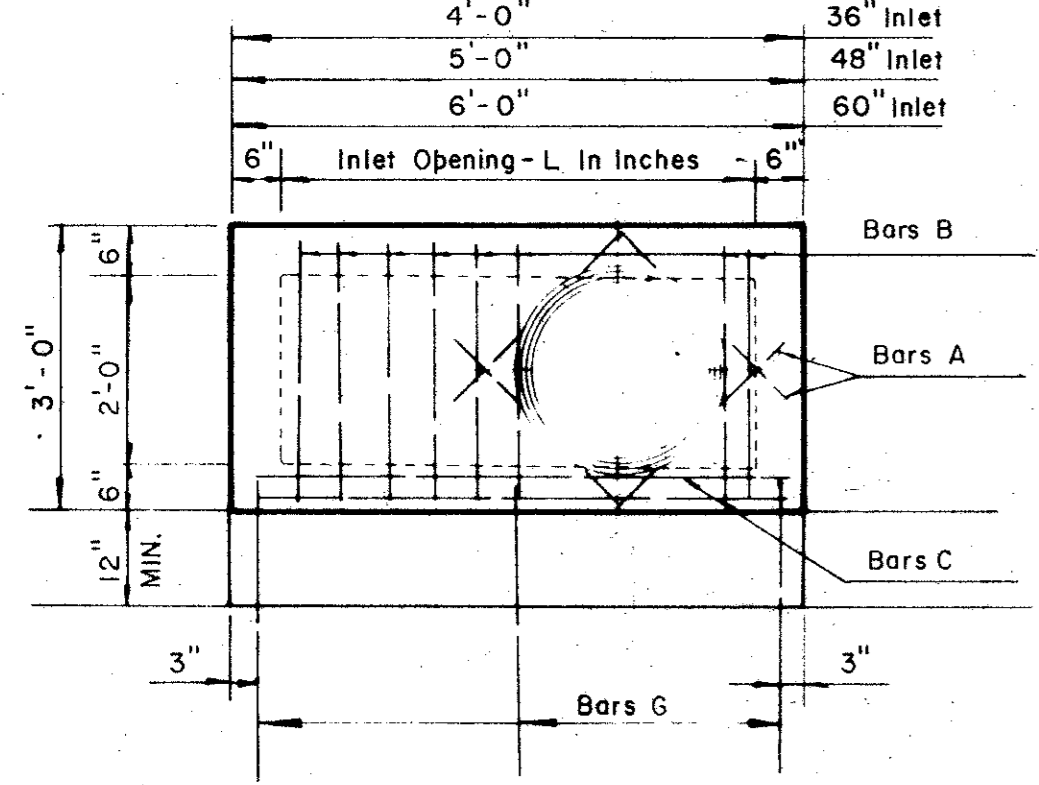
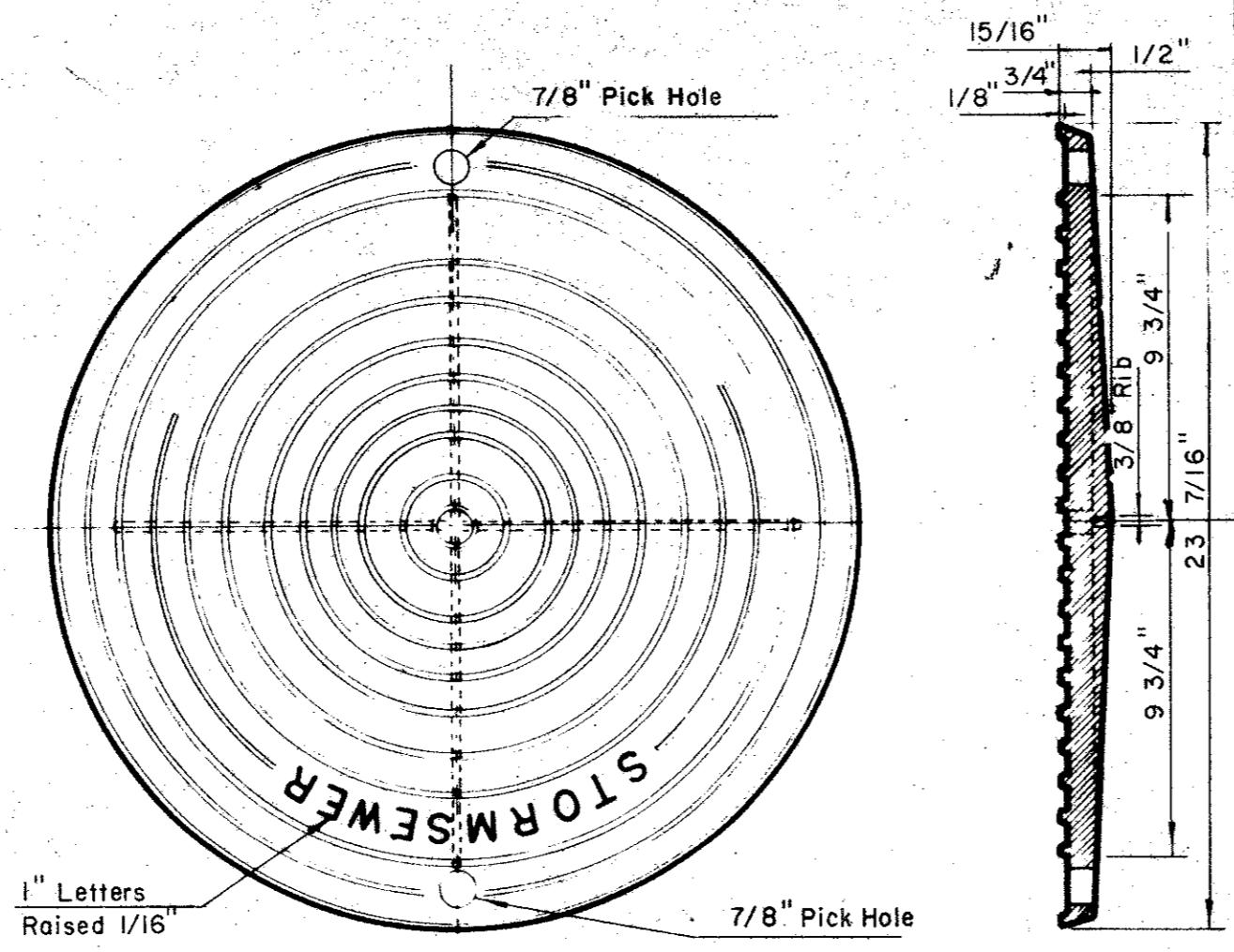


SECTION B-B

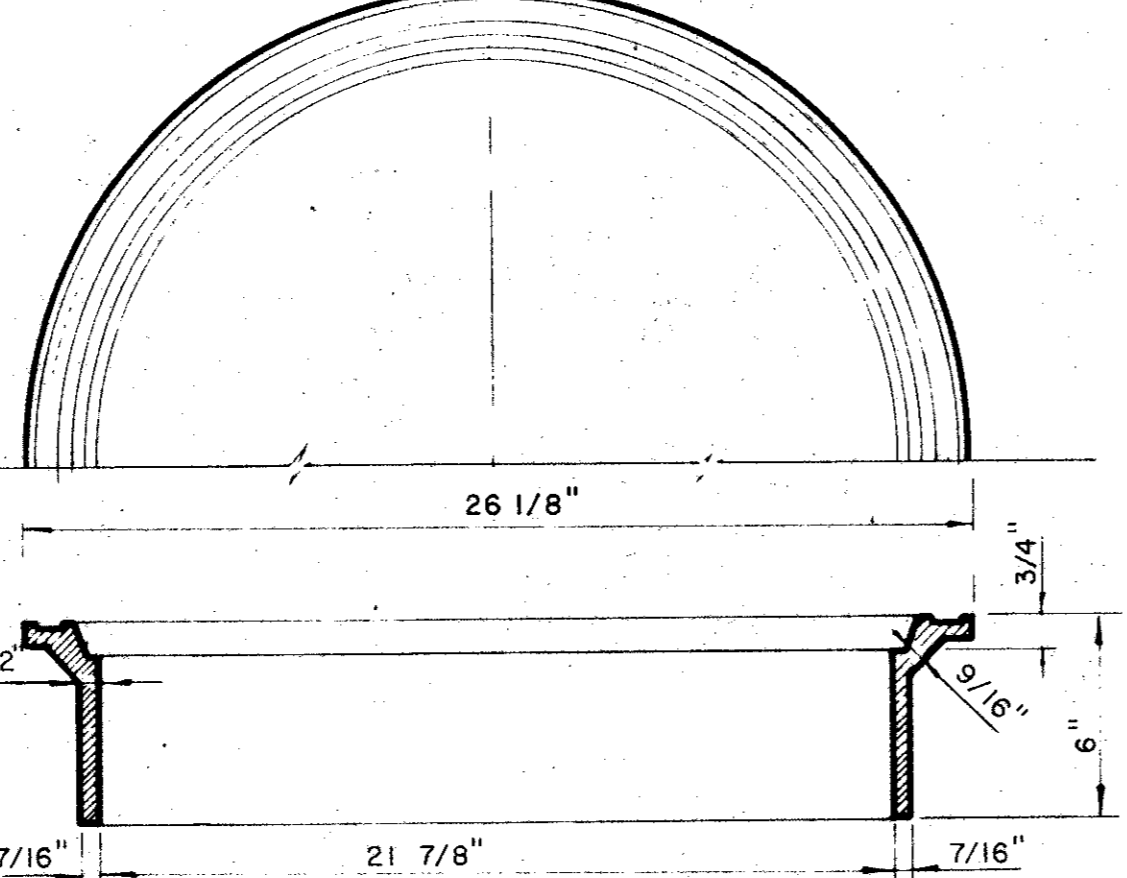
SECTION C-C



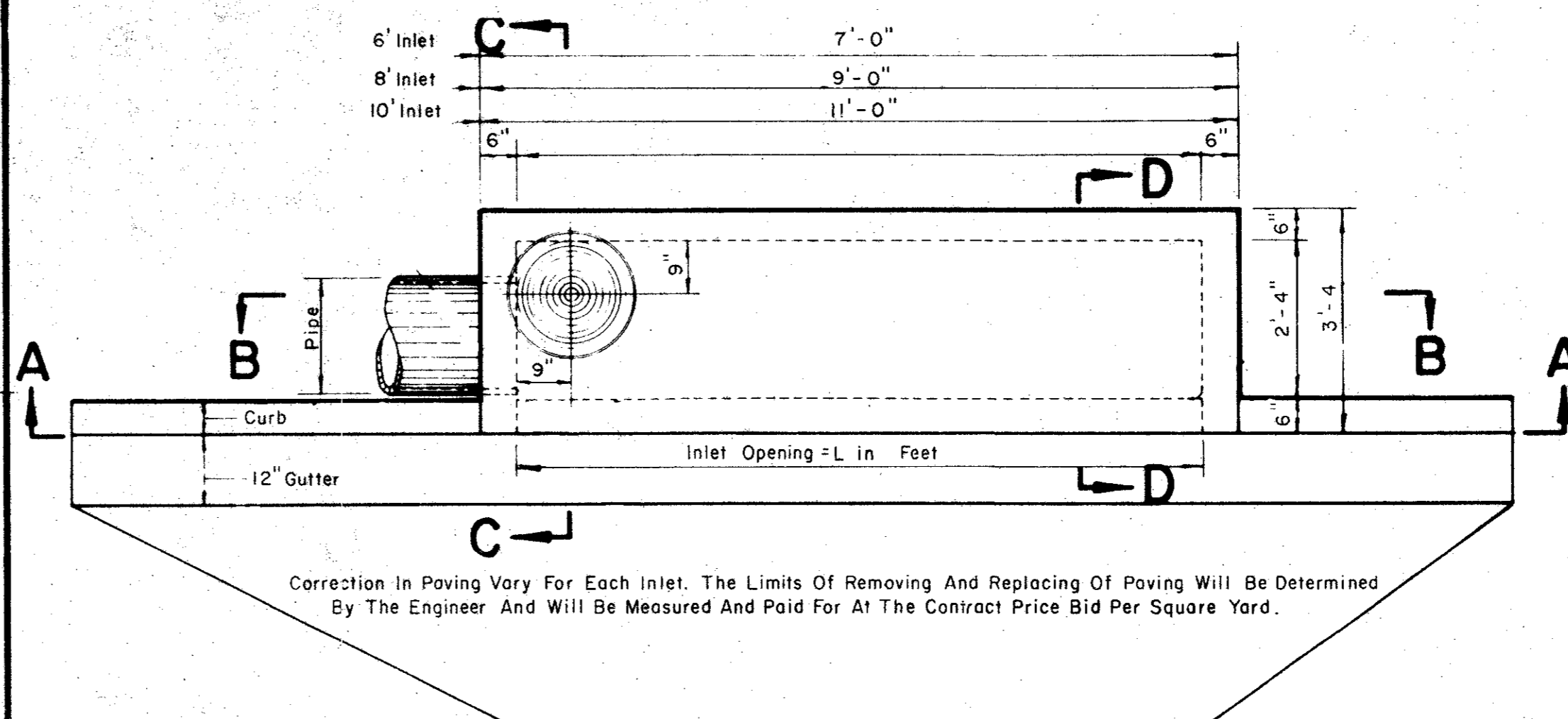
REINFORCING PLAN



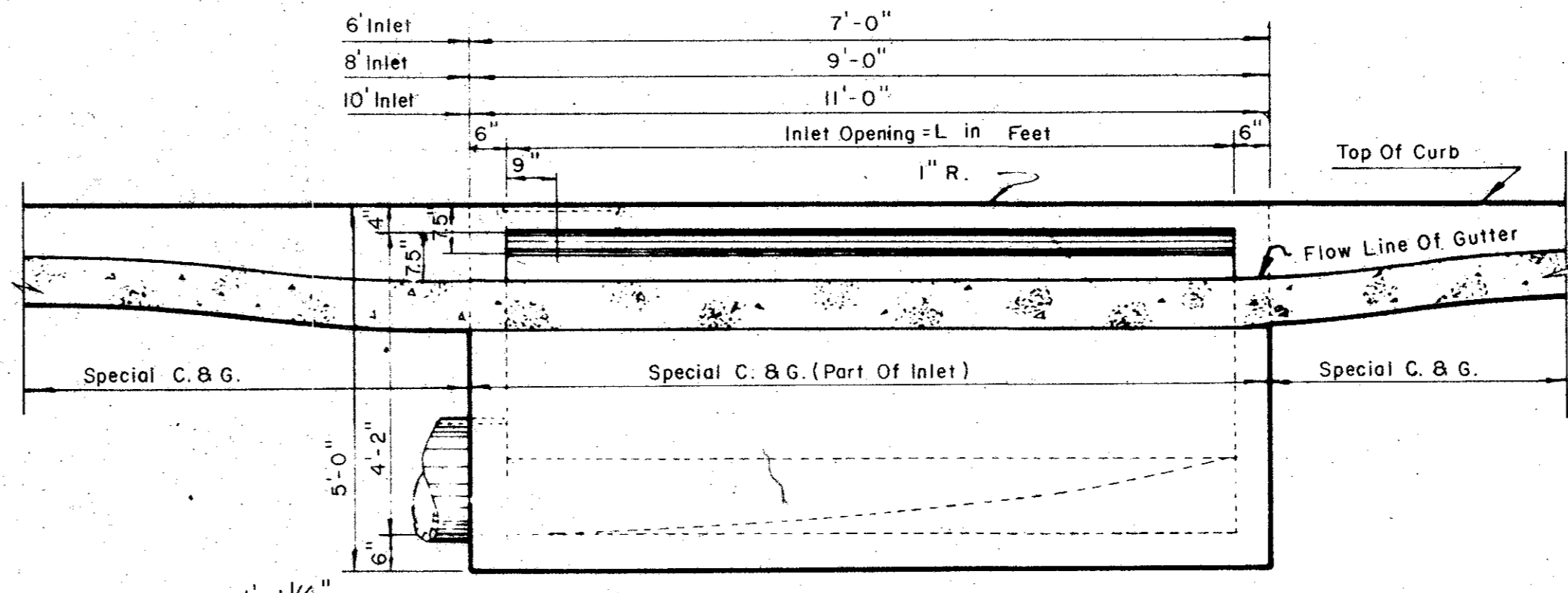
PLAN OF COVER



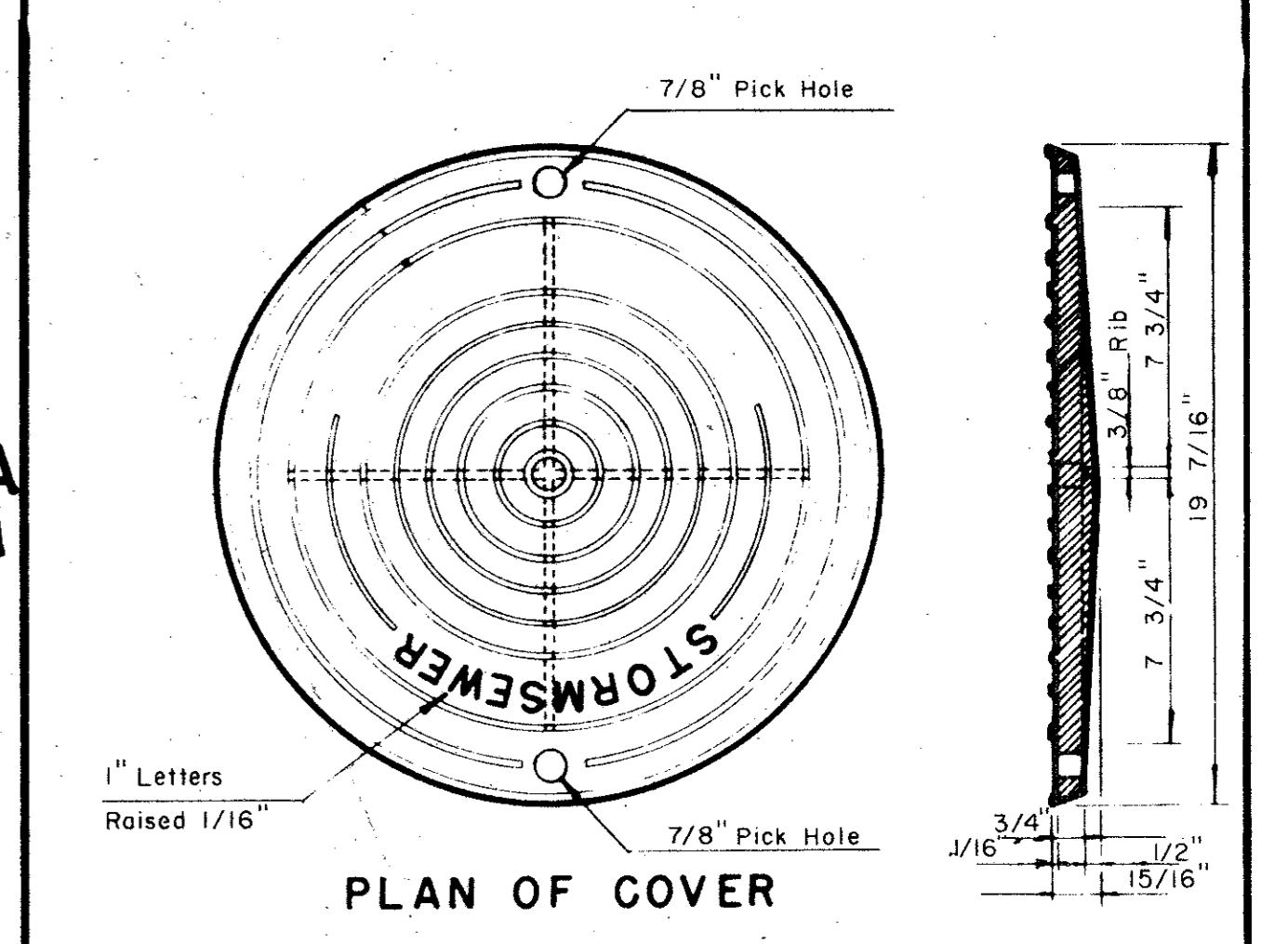
SECTION OF FRAME INLET FRAME AND COVER



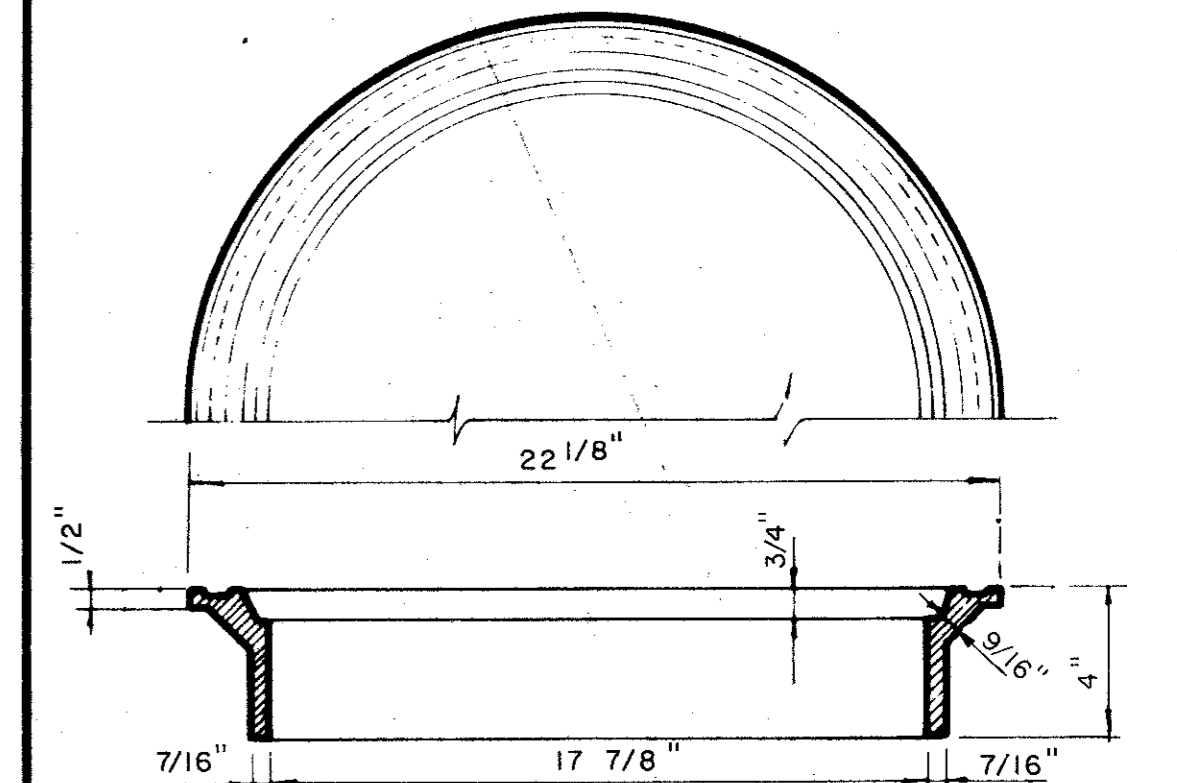
PLAN



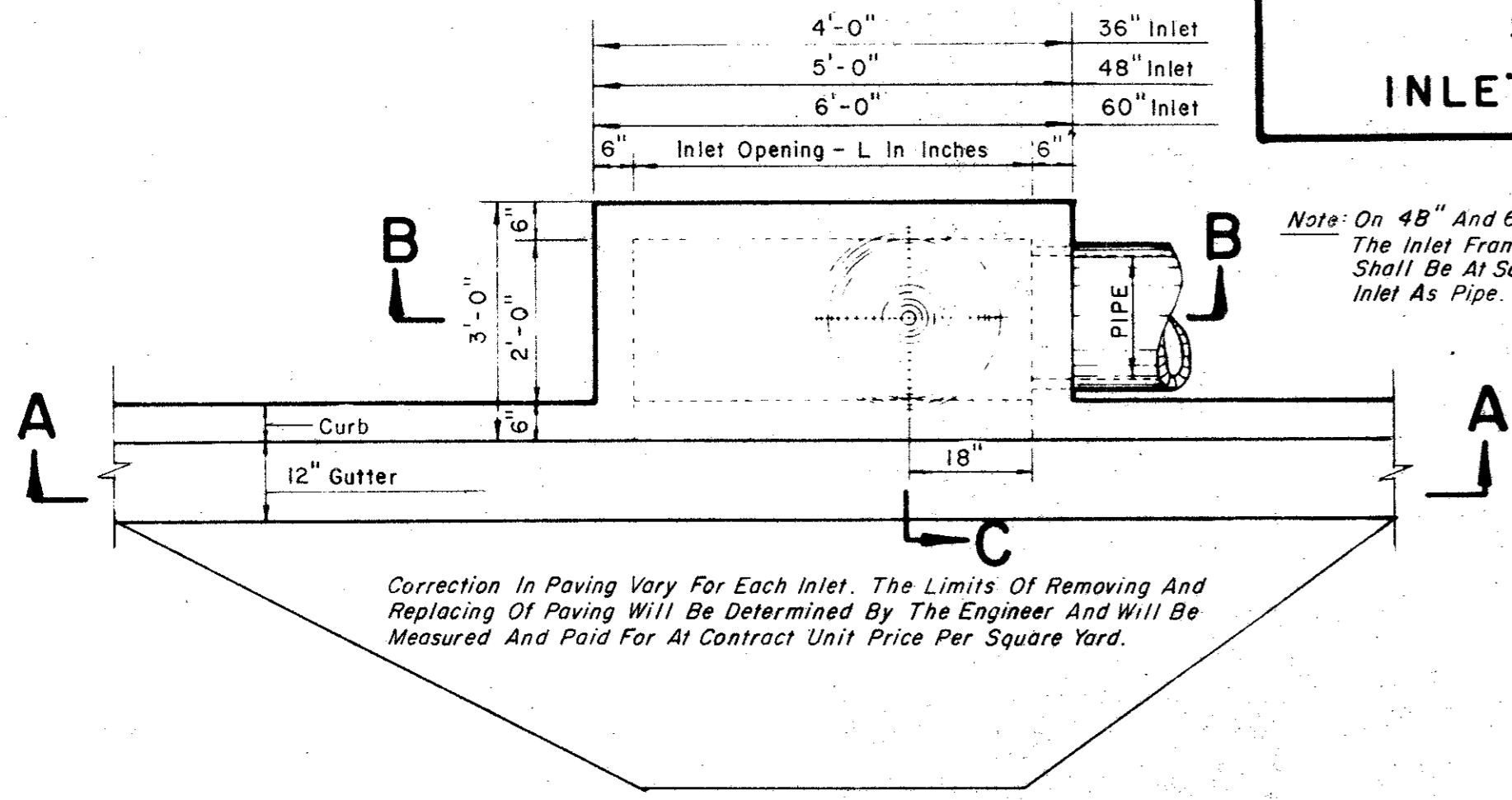
SECTION A-A



PLAN OF COVER



SECTION OF FRAME INLET FRAME AND COVER



PLAN

Note: On 48" And 60" Inlets The Inlet Frame And Cover Shall Be At Same End Of Inlet As Pipe.

2'-6"	36" Inlet - #3-4 Required
2'-6"	48" Inlet - #5-4 Required
2'-6"	60" Inlet - #5-4 Required

2'-9"	36" Inlet - #5-4 Required
2'-9"	48" Inlet - #5-6 Required
2'-9"	60" Inlet - #5-8 Required

3'-9"	36" Inlet - #5-2 Required
4'-8"	48" Inlet - #5-2 Required
5'-9"	60" Inlet - #5-2 Required

3'-0"	36", 48" & 60" Inlets	#3-3 Required
-------	-----------------------	---------------

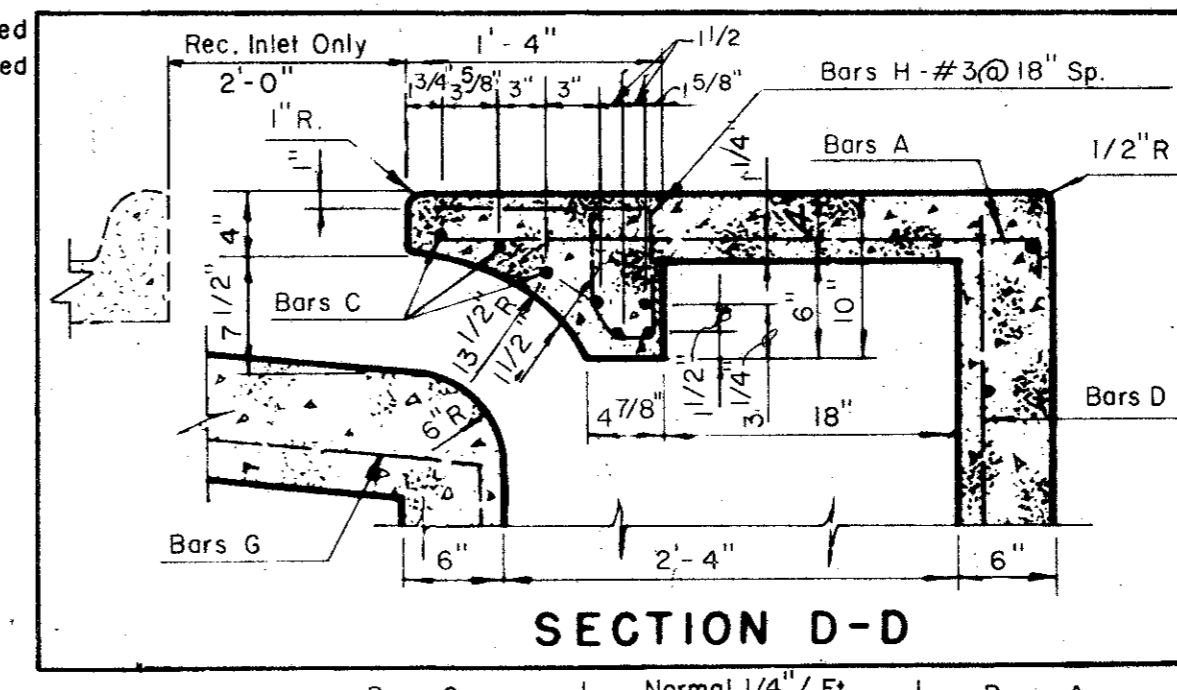
6' Inlet - #3-3 Required
8' Inlet - #3-4 Required
10' Inlet - #3-6 Required

3'-0"	6' Inlet - #3-10 Required
3'-0"	8' Inlet - #3-13 Required
3'-0"	10' Inlet - #3-16 Required

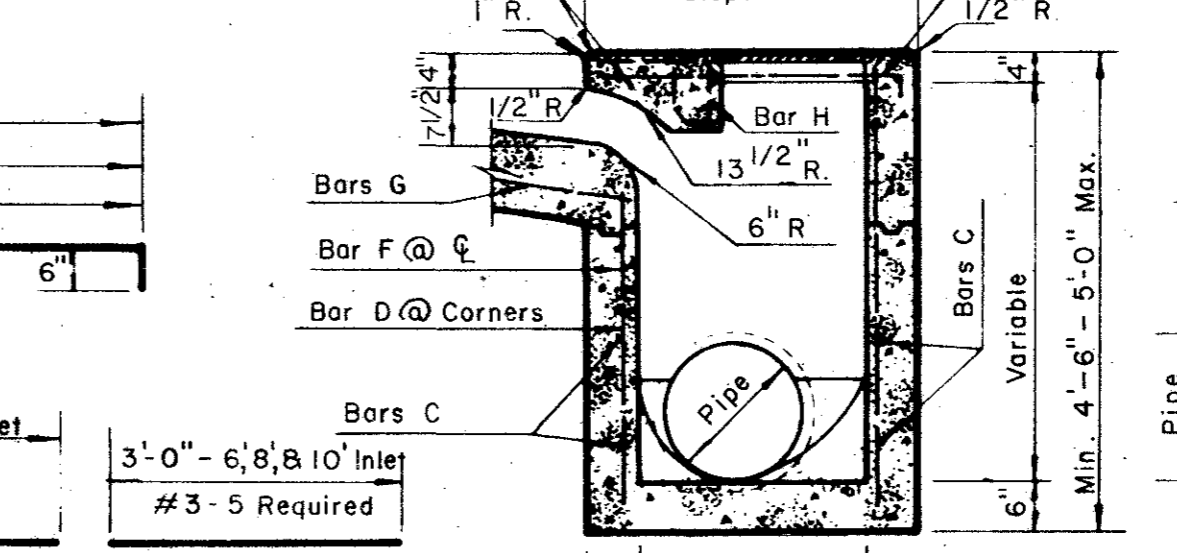
4'-10"	6' Inlet - #3-1 Required
6'-10"	8' Inlet - #3-1 Required
8'-10"	10' Inlet - #3-1 Required

6'-8"	6' Inlet - #4-15 Required
8'-8"	8' Inlet - #4-15 Required
10'-8"	10' Inlet - #4-15 Required

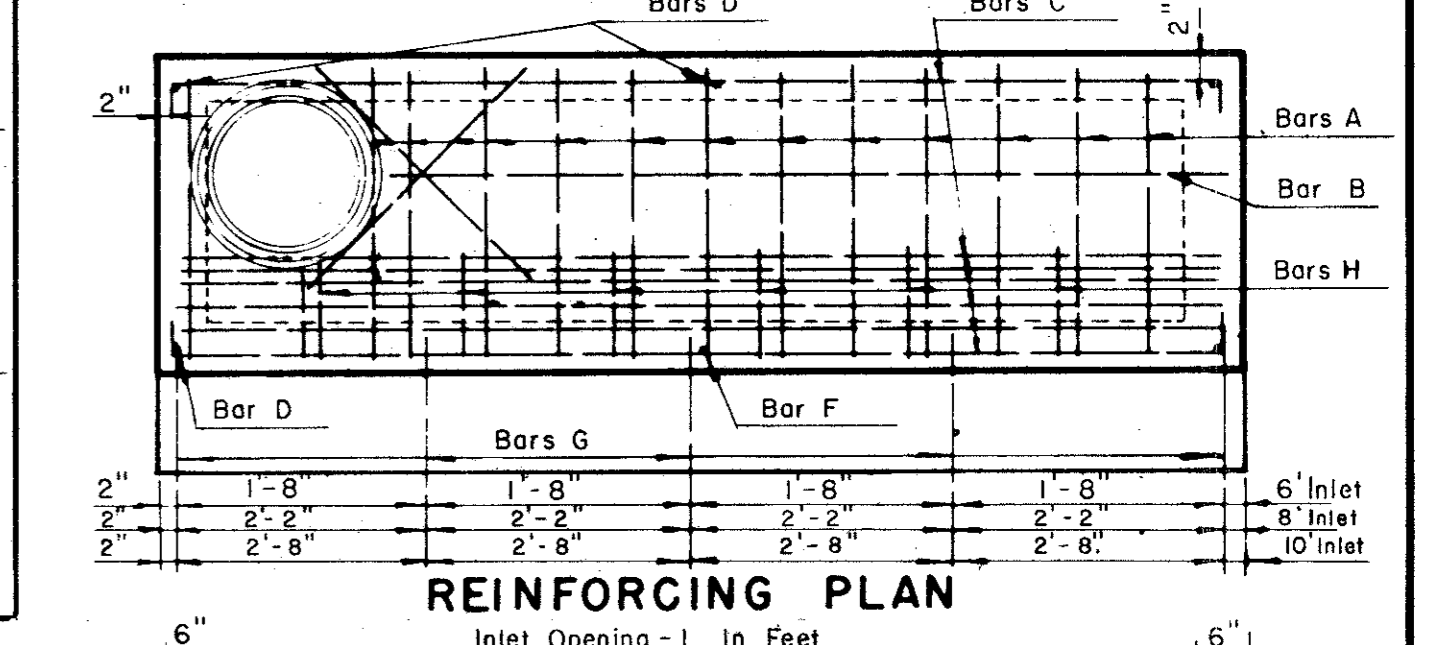
4'-8" - 6', 8' & 10' Inlet	#4-5 Required
3'-6" - 6', 8' & 10' Inlet	#4-1 Required
3'-0" - 6', 8' & 10' Inlet	#3-5 Required



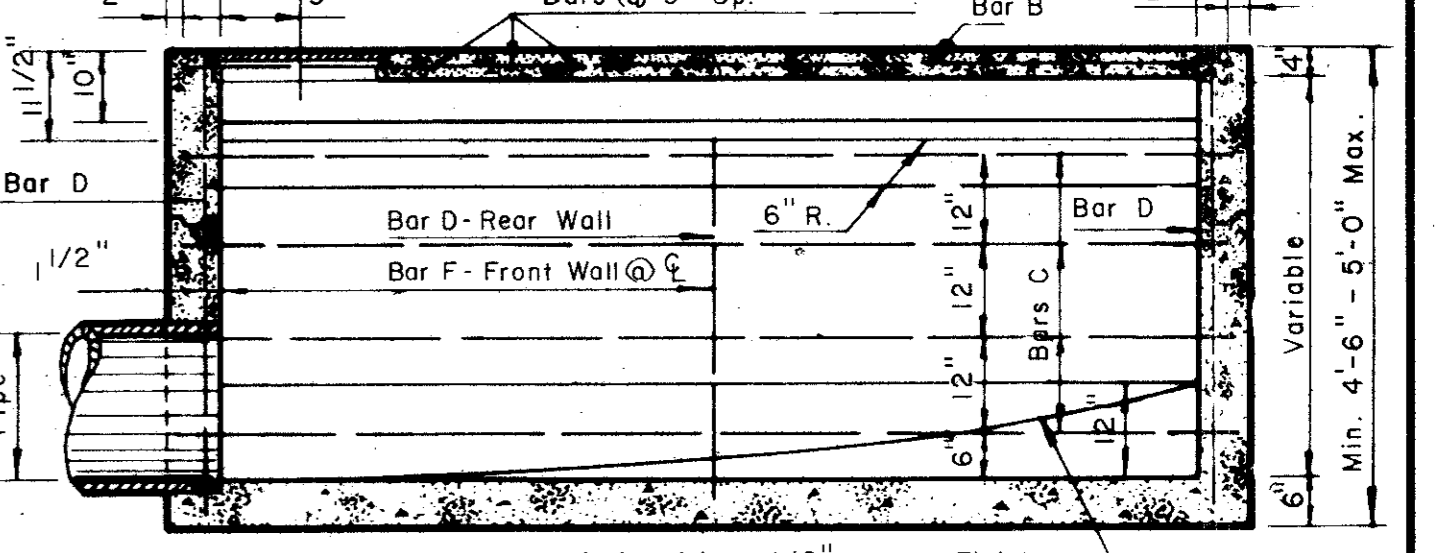
SECTION D-D



SECTION C-C



REINFORCING PLAN



SECTION B-B

- NOTES:**
- Concrete Shall Have A Min. Compressive Of 3,000 P.S.I. At 28 Days.
 - Lateral Pipe May Enter Inlet At Any Location. (Field Locate)
 - The 12" Gutter In Front Of Inlet Is A Part Of The Inlet And Shall Be Built With The Inlet.
 - Top Of Inlet Slope Shall Conform To Adjacent Parkway Normal 1/4" / Ft. Slope.

6, 8 AND 10 FOOT INLETS

STANDARD CURB INLET
36, 48 & 60 INCH INLET
6, 8 & 10 FOOT INLET

CITY OF ADDISON
DALLAS COUNTY, TEXAS

DRAINAGE DETAILS A

GINN, INC.
Consulting Engineers - Dallas, Texas

DESIGNED - H.B.J.	DRAWN - S.M.M.	DATE
APPROVED - H.W.G.	CHECKED - G.F.	SCALE - NONE

SHEET 28 OF

36, 48 AND 60 INCH INLETS

SECTION A-A

