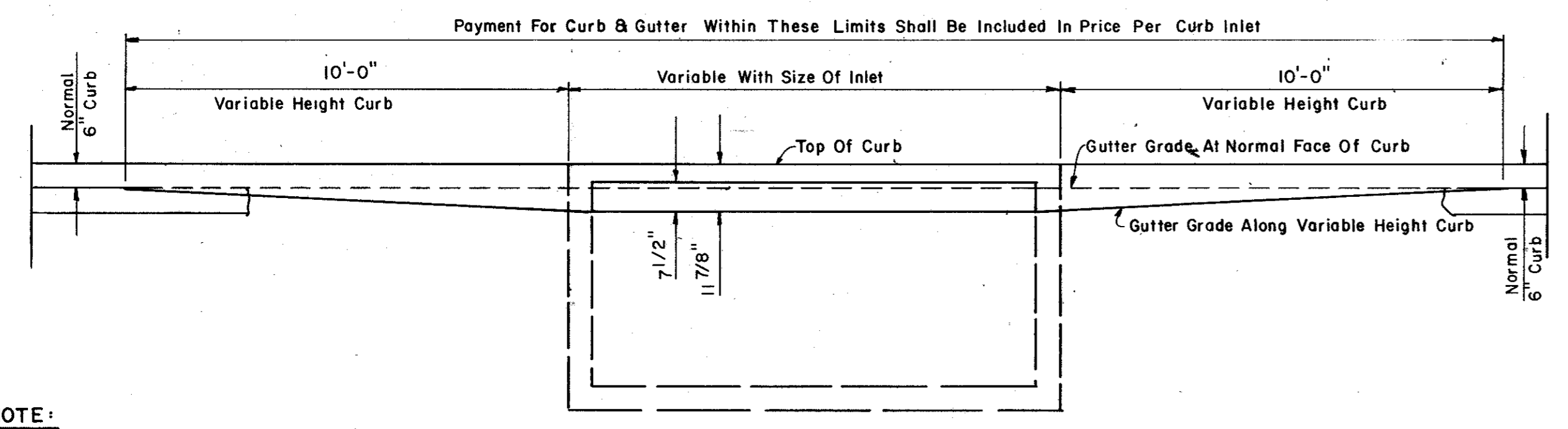


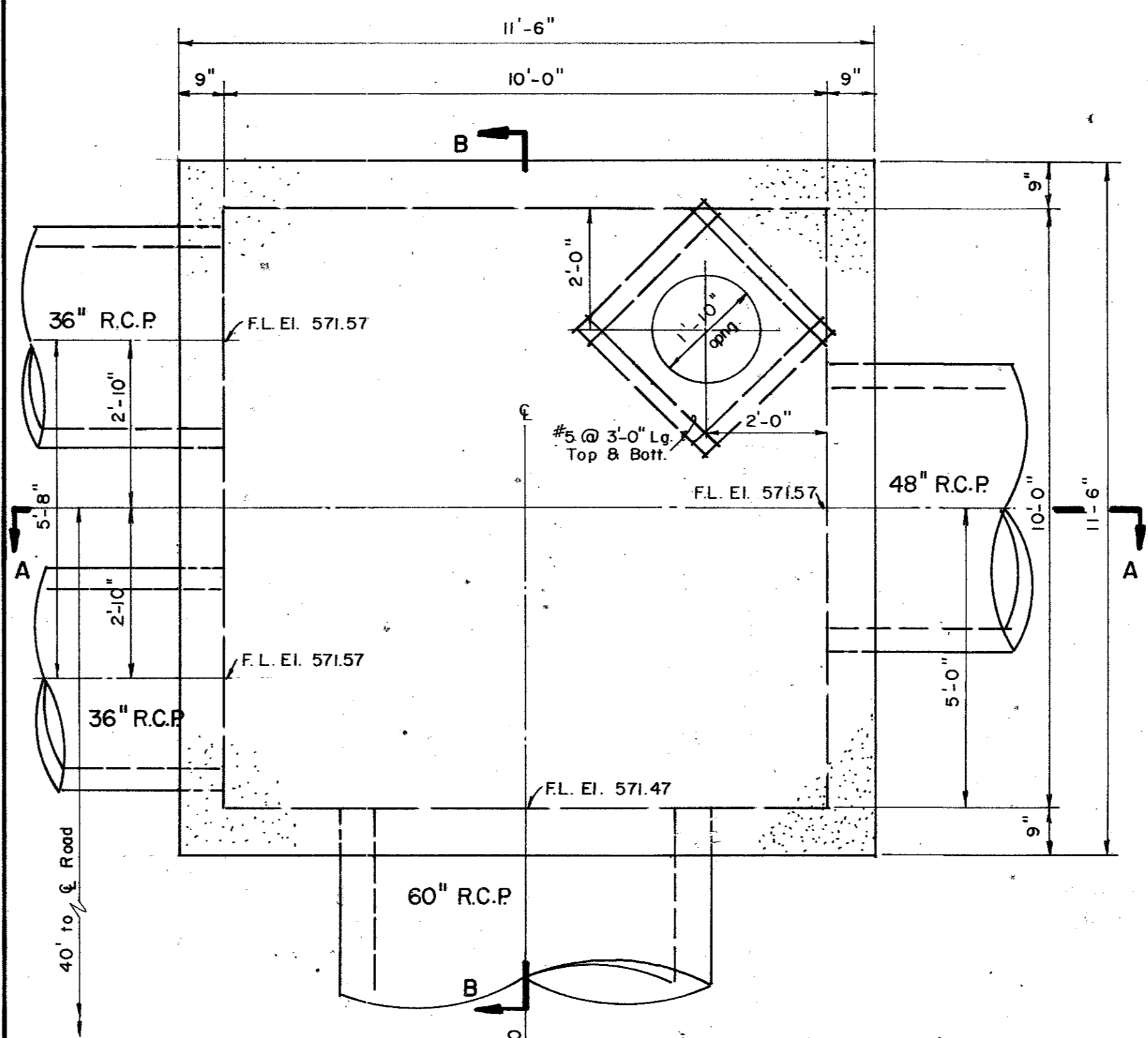
PLAN OF INLET



SECTION A-A

RECESSED CURB INLET

NOTE:
SEE STD. CURB INLET, DRAINAGE DETAILS FOR SECTION D-D, AND REINFORCING.

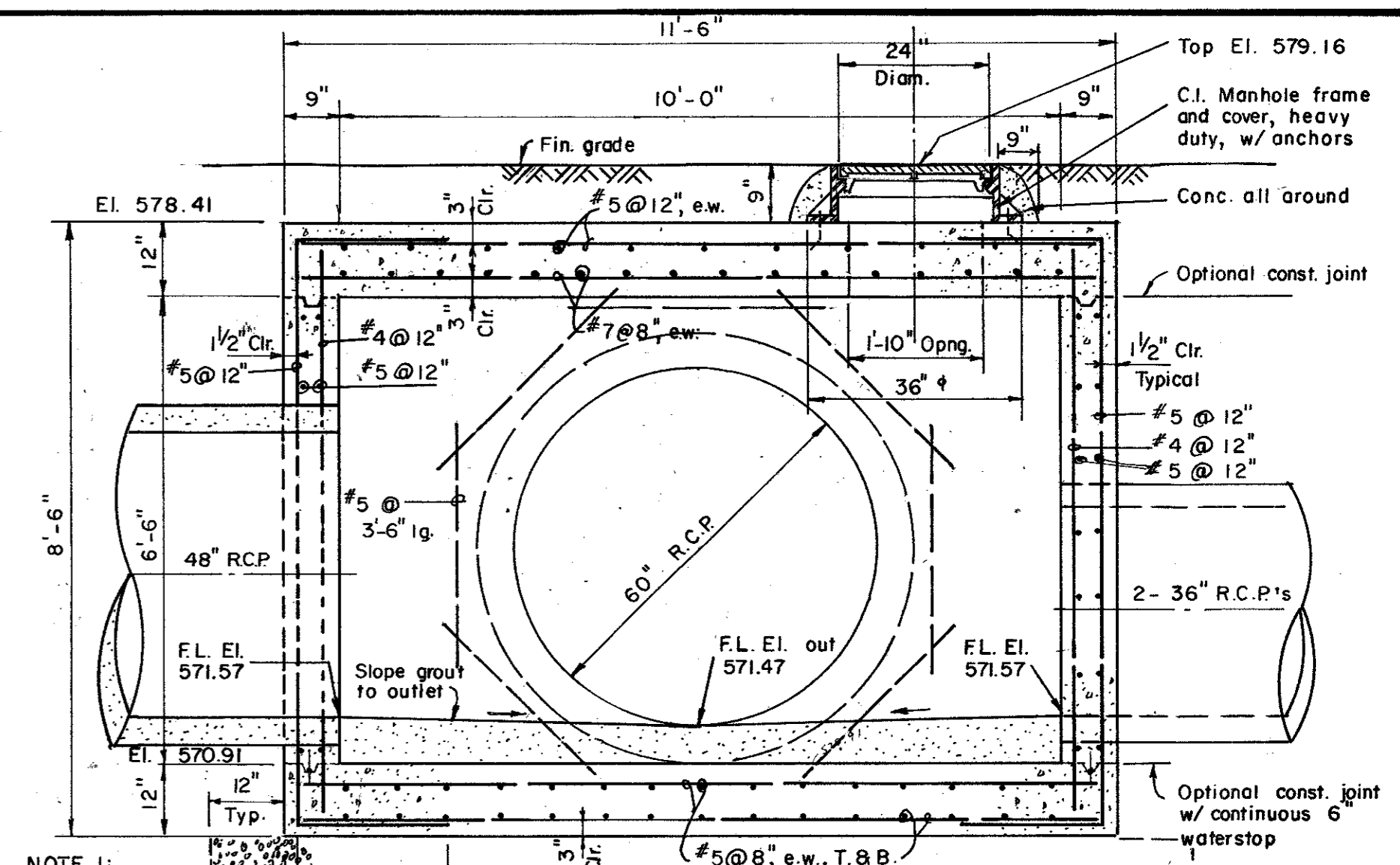


PLAN @ EL. 578.41

APPROXIMATE QUANTITIES
Class A Conc. 15.1 c.y.
Reinf. Steel 3456 Lbs.
Frame and cover 1 ea.

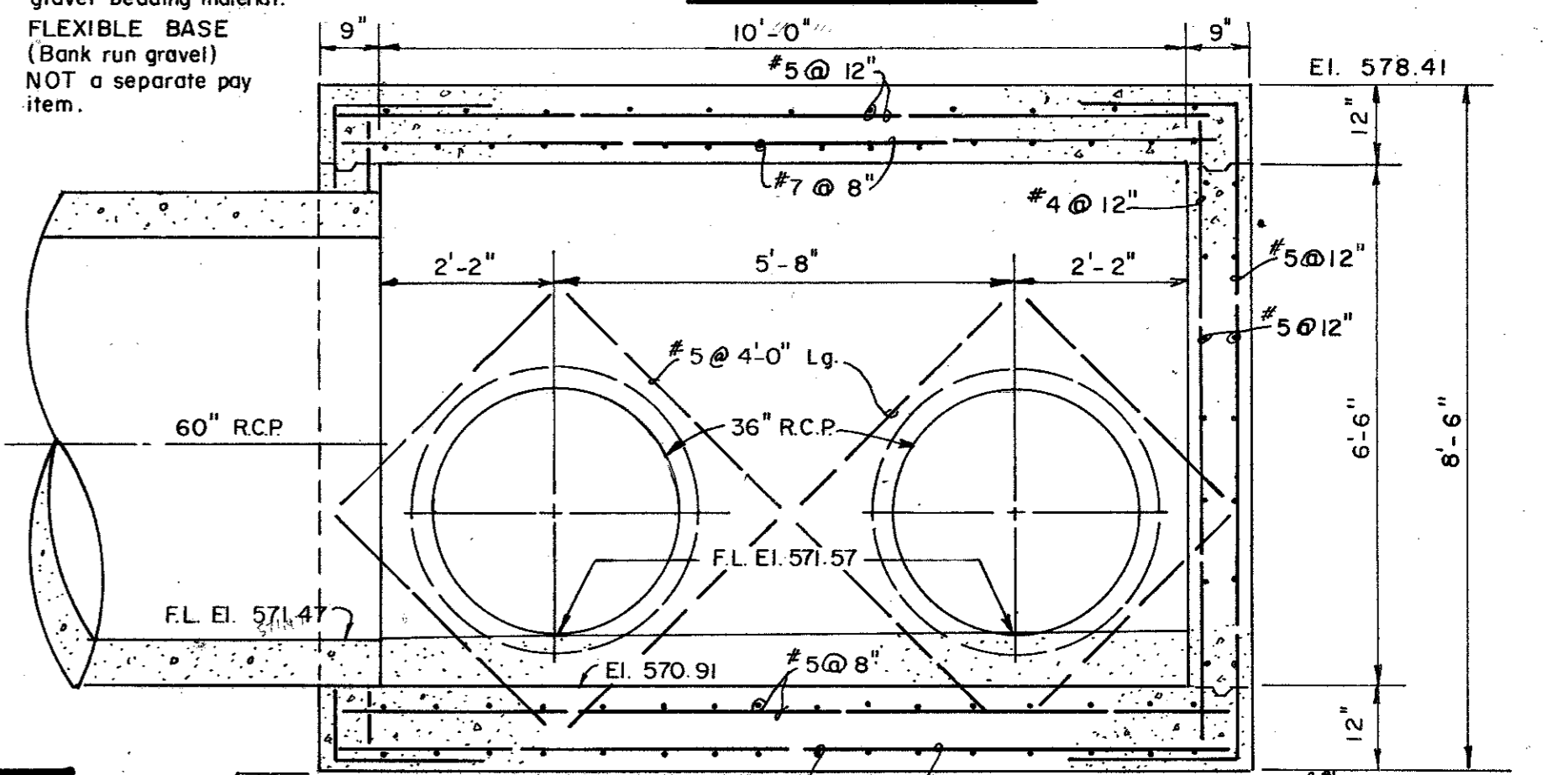
JUNCTION BOX AT STA. 17+50

SCALE: 1/2" = 1'-0"



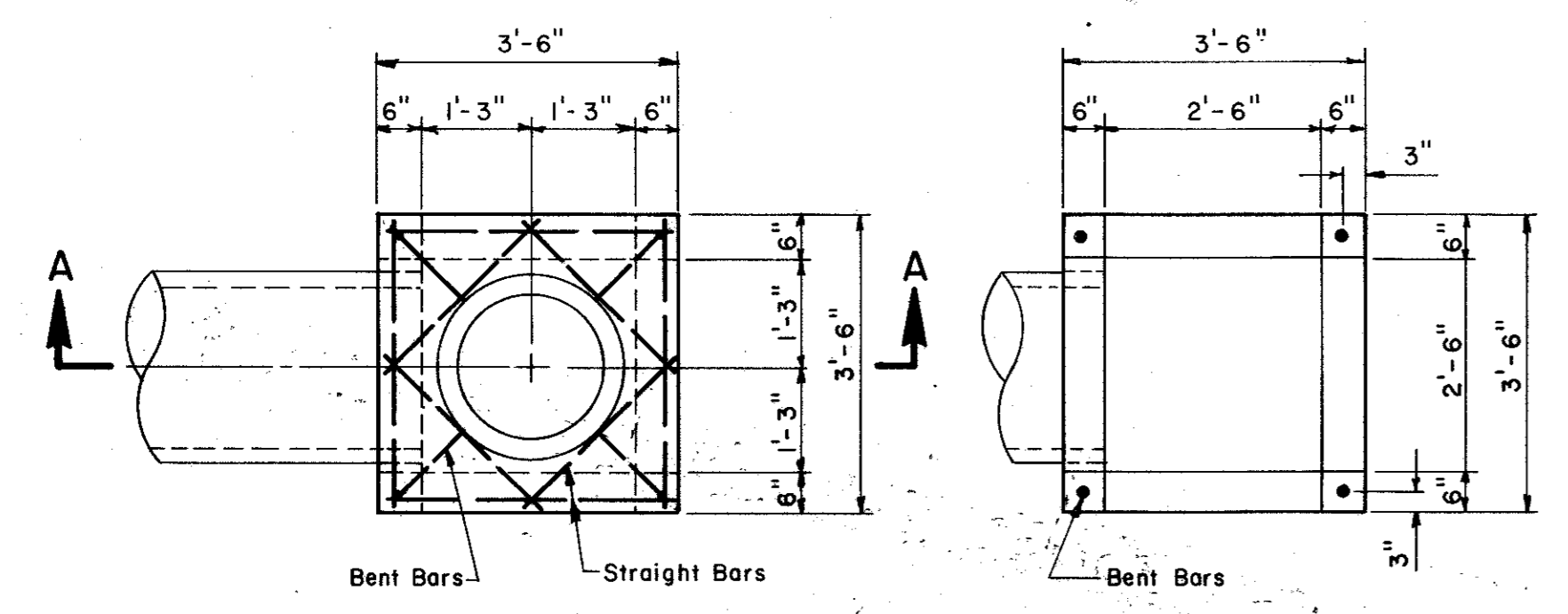
SECTION A-A

NOTE 1:
Overexcavate and backfill w/ 6" thk. gravel bedding material.
FLEXIBLE BASE (Bank run gravel)
NOT a separate pay item.



SECTION B-B

GENERAL NOTES

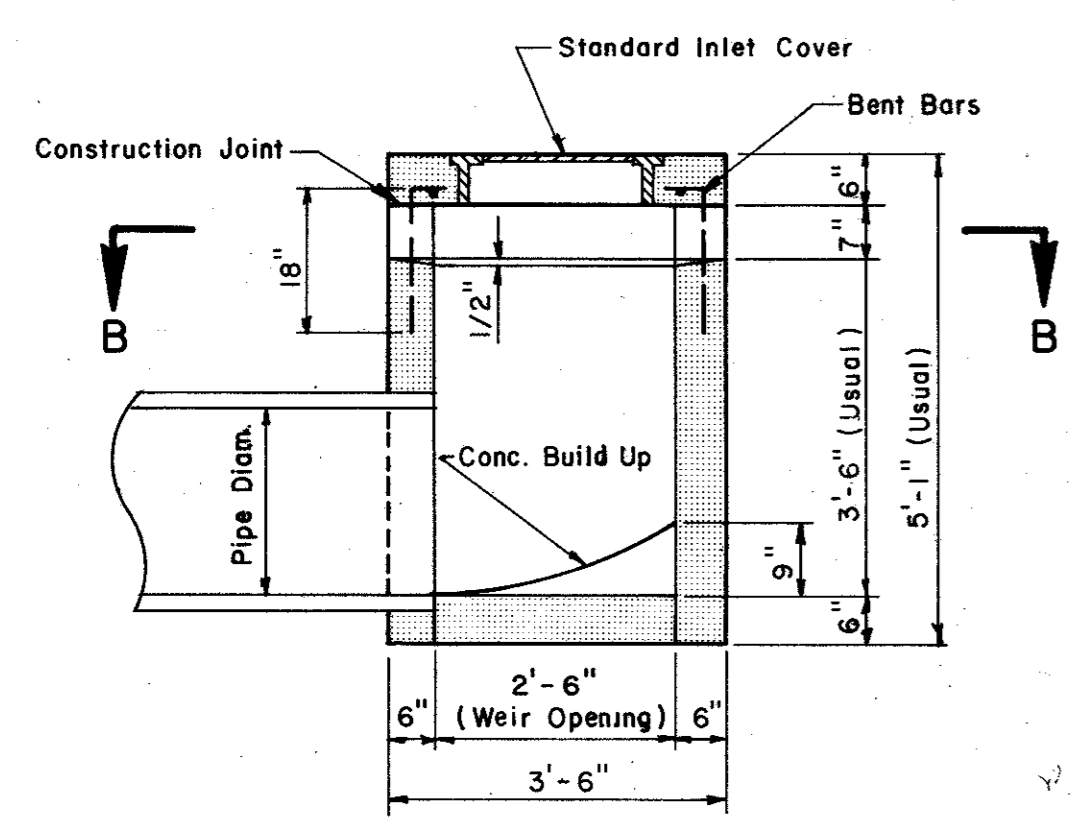


PLAN

SECTION B-B

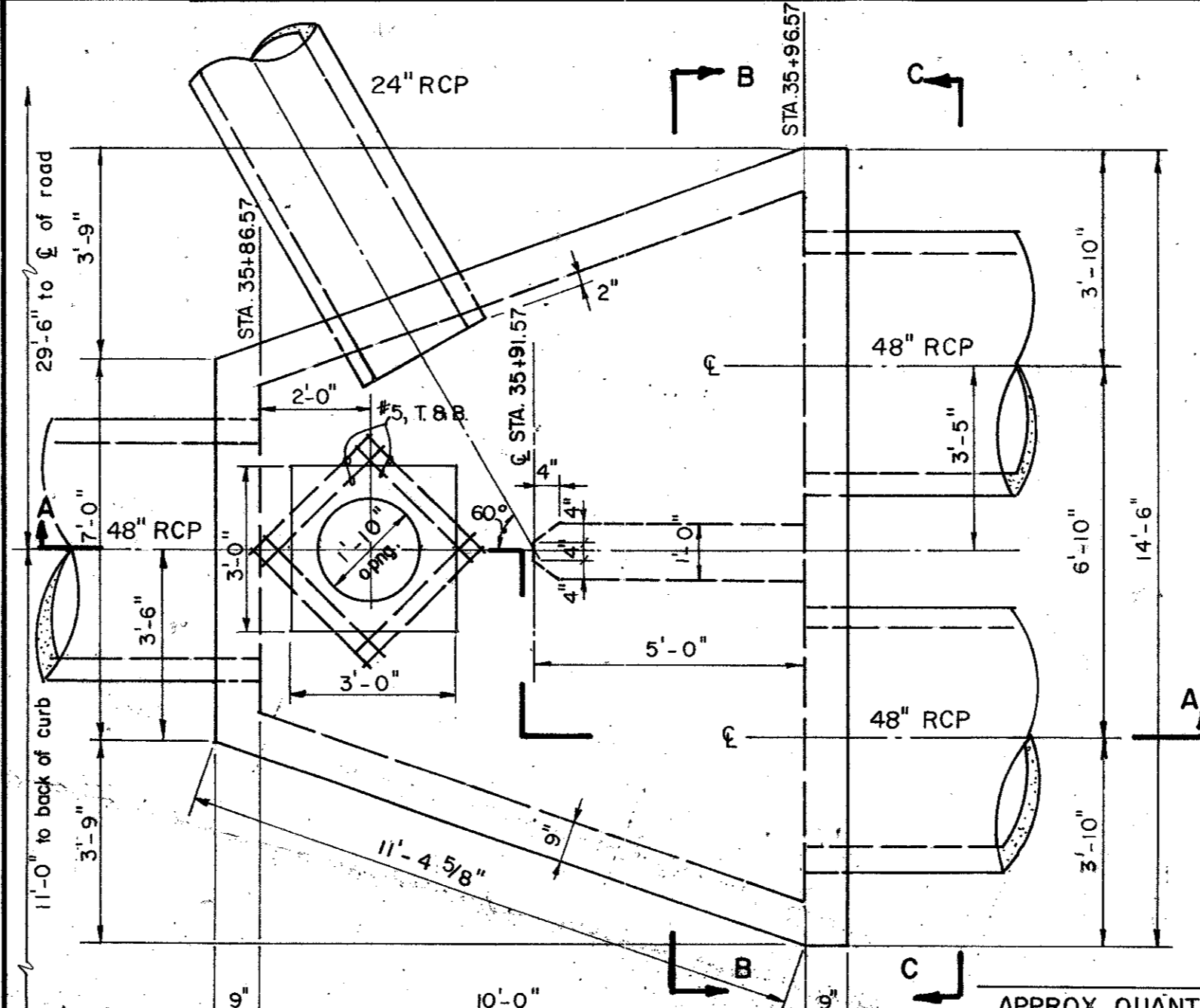
- NOTE:
1. ALL REINFORCING SHALL BE #5 BARS.
 2. ALL CONC. SHALL BE 3000 P.S.I.
 3. TYPE "X" INLET - WEIR OPENING ARE REQUIRED ON 4 SIDES.
 4. TYPE "Y" INLET - WEIR OPENING ARE REQUIRED ON 3 SIDES.

NOTE: Where inlets are indicated to be modified, refer to plan/profile sheets for elevations or different sizes. All other items shall remain as shown on this standard detail sheet.



SECTION A-A

STANDARD TYPE "X" & "Y" INLET



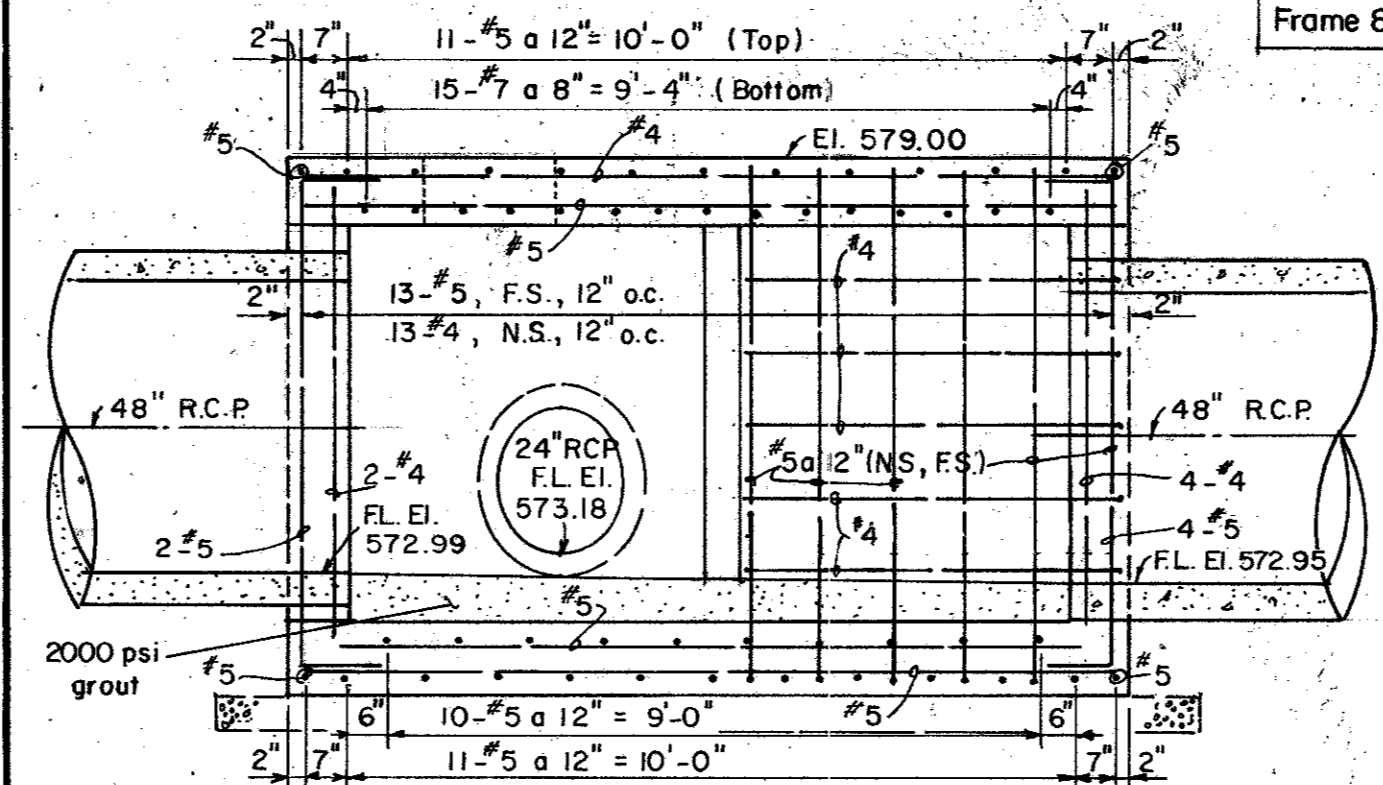
PLAN

APPROX. QUANT.
Class A Conc. 14.9 c.y.
Reinf. Steel - 1972 lbs.
Frame & cover 1 ea.

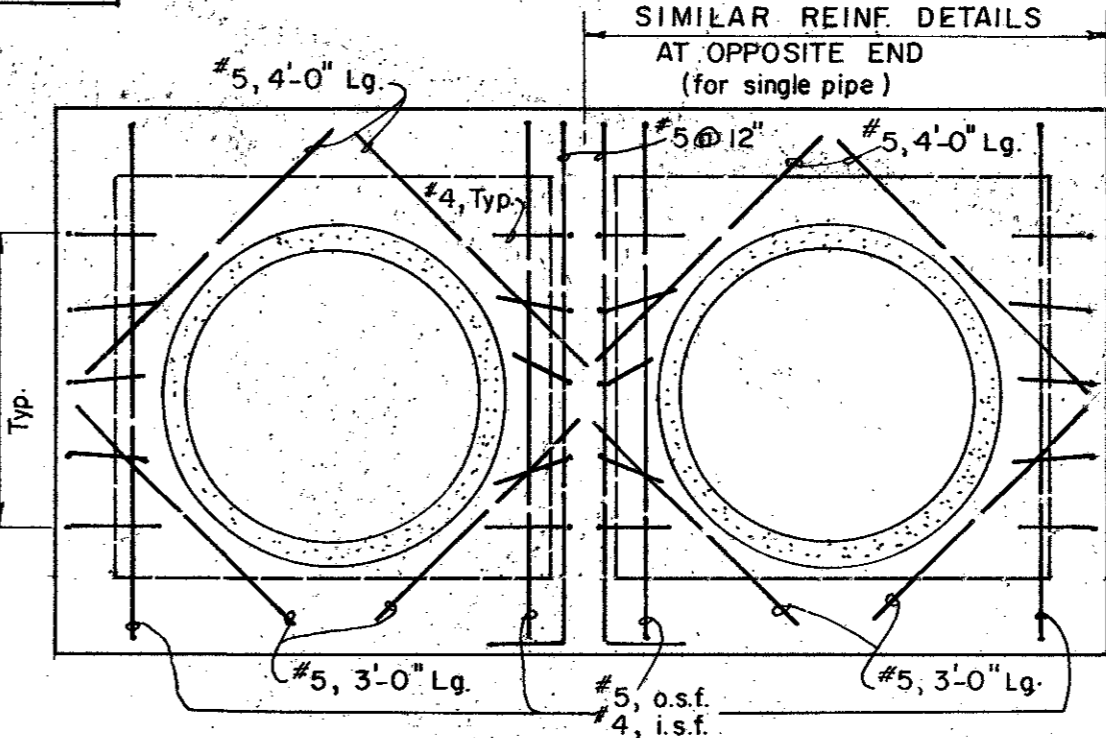
JUNCTION BOX DETAIL AT STA. 35+91.57

SEE NOTE 1
Detail Above

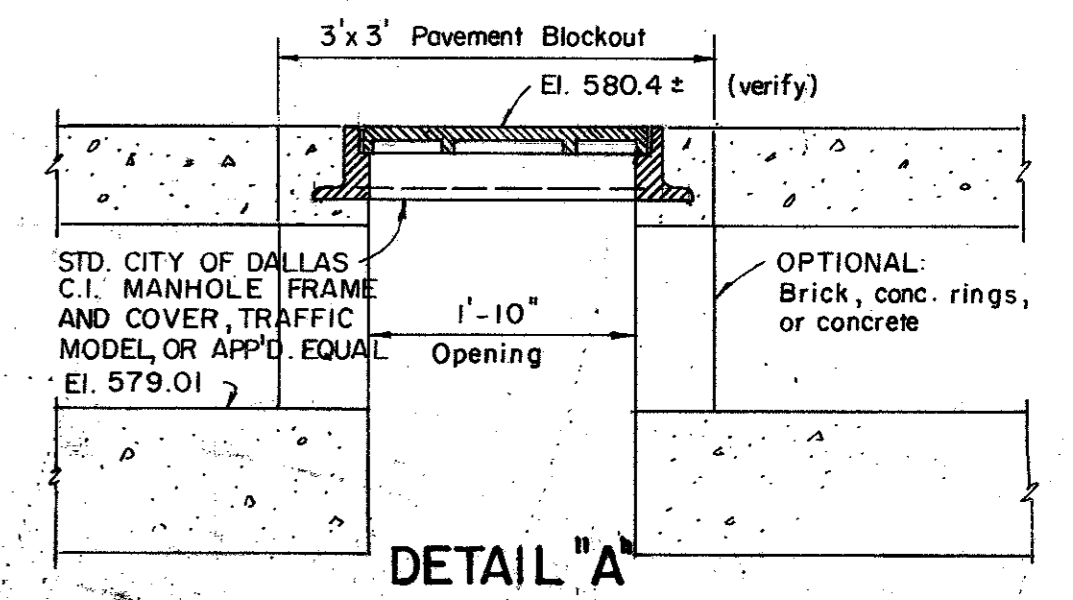
SECTION B-B



SECTION A-A



SECTION C-C



DETAIL "A"

1. All concrete shall be Class A, 3000 PSI concrete.
2. Reinforcing shall conform to ASTM A-615, grade 40.
3. Provide all necessary reinforcing accessories to hold bars in proper position.
4. All reinforcing shall be detailed in accordance with ACI Standard 315.
5. Provide corner bars of the same size and number as horizontal bars at all corners.
6. Contractor shall submit shop drawings in accordance with ACI Standards, latest edition, for approval prior to any construction being done, showing all information as to exact location, size, number, bending, splicing and placing schedules and lists of reinforcement. No work shall commence on structures until approval of shop drawings is received.
7. All labor and materials for construction of junction box shall be included in the unit price bid for the structure. No additional compensation will be allowed.

CITY OF ADDISON
DALLAS COUNTY, TEXAS

DRAINAGE DETAILS B

GINN, INC.
Consulting Engineers - Dallas, Texas