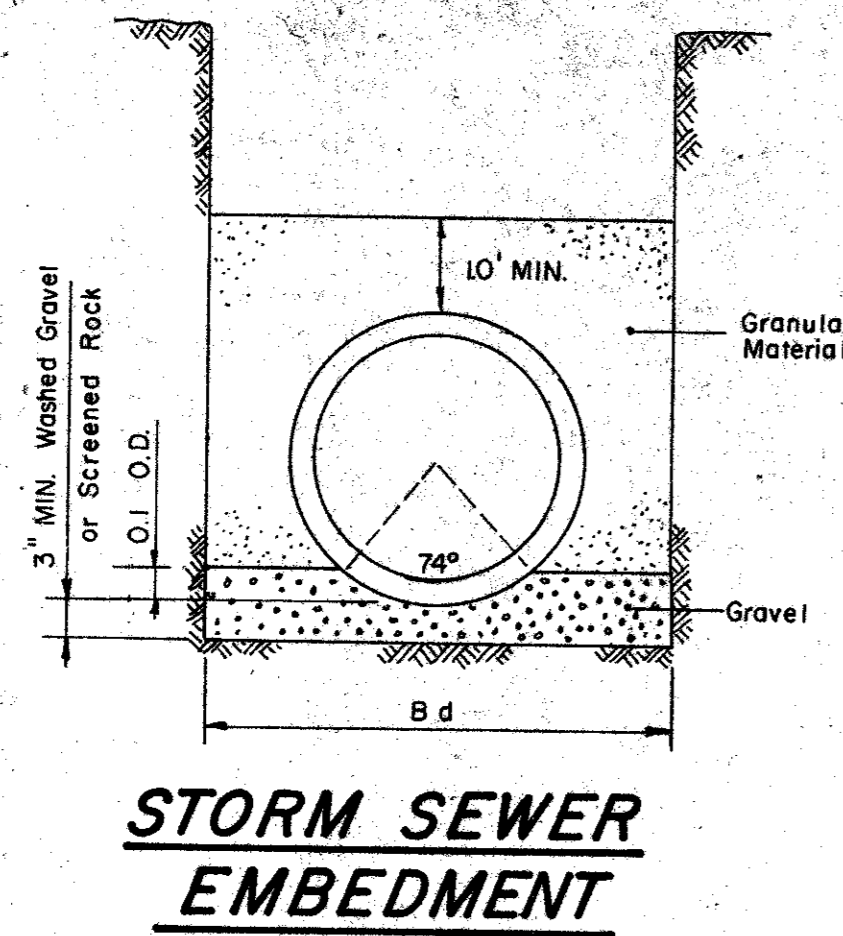
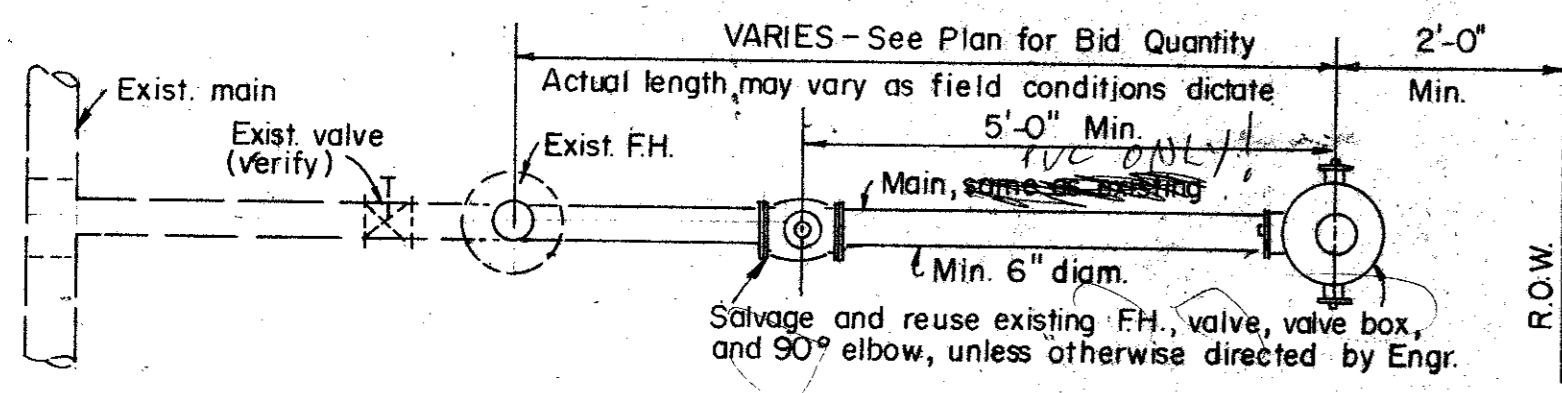


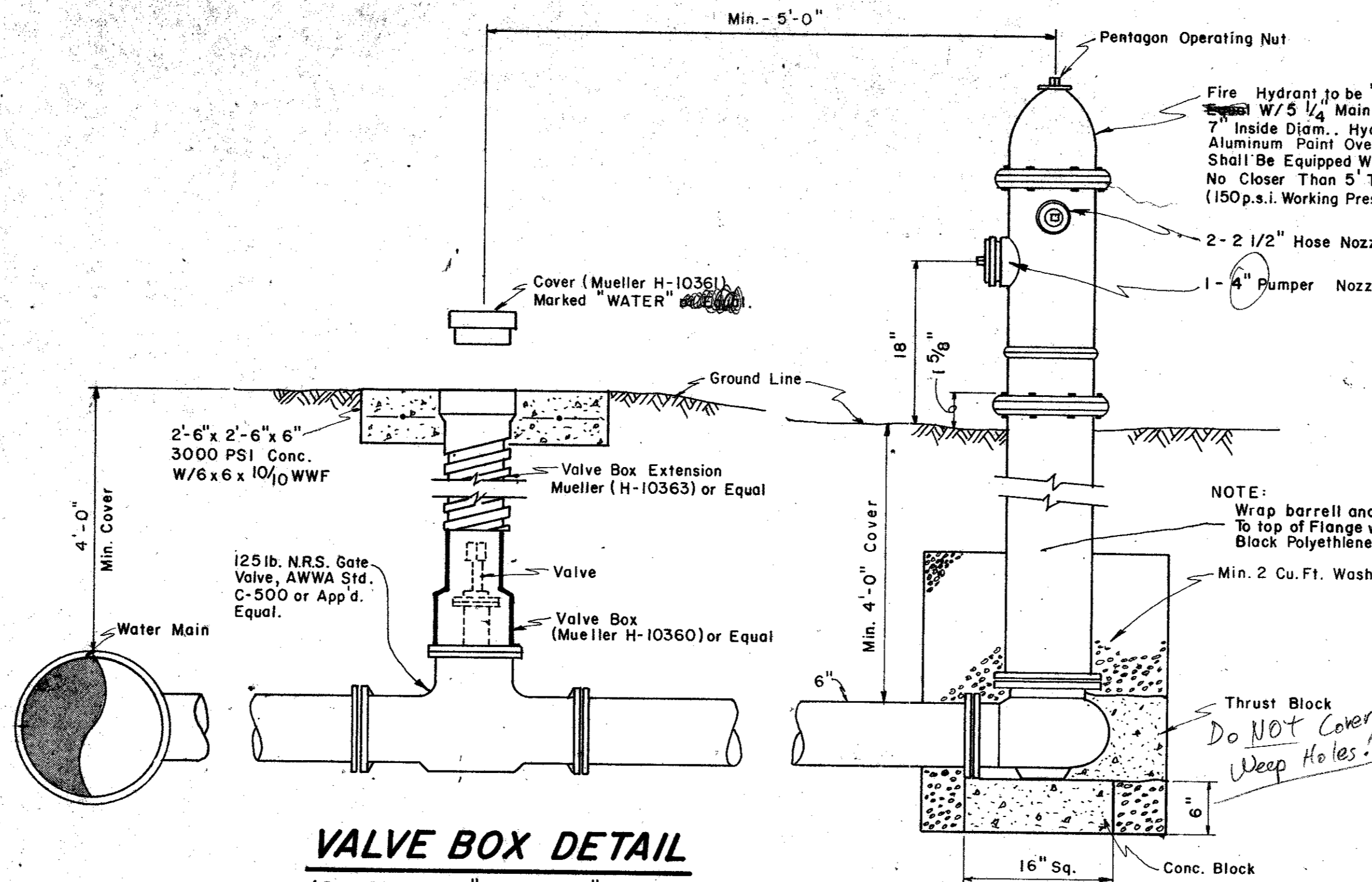
STORM SEWER EMBEDMENT					
PIPE DIAM.		B d	CU. YDS. Per 100 L.F.		
I.D.	O.D.		GRAVEL	GRANULAR MATERIAL	
15"	19"	39"	4.53	22.28	
18"	22.5"	42"	5.13	25.15	
21"	26"	45"	5.76	28.03	
24"	29.5"	48"	6.42	30.94	
27"	33"	51"	7.11	33.86	
30"	37"	54"	7.85	36.72	
33"	40.5"	57"	8.59	39.64	
36"	44"	60"	9.36	42.58	
39"	47.5"	63"	10.16	45.53	
42"	51"	66"	10.99	48.51	
48"	58"	72"	12.72	54.51	
54"	65"	78"	14.57	60.57	
60"	72"	84"	16.53	66.71	
66"	79"	90"	18.60	72.92	
72"	86"	96"	20.79	79.19	
78"	93"	102"	23.08	85.53	
84"	100"	108"	25.49	91.95	
90"	108.5"	115"	28.47	99.02	
96"	114"	120"	30.64	104.98	
102"	122.5"	129"	34.66	118.41	



**STORM SEWER EMBEDMENT**

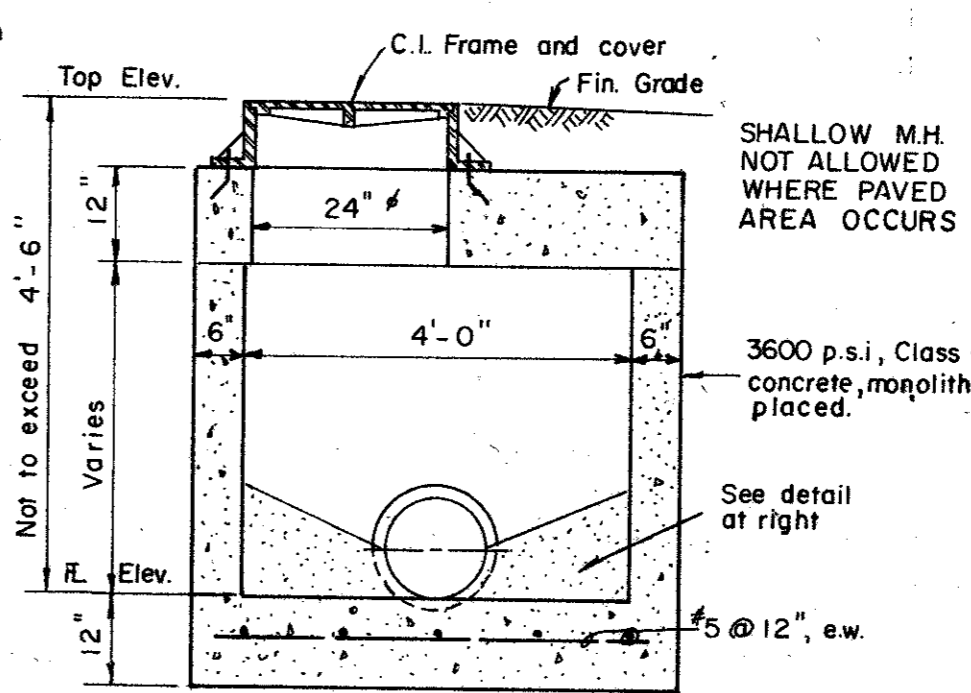
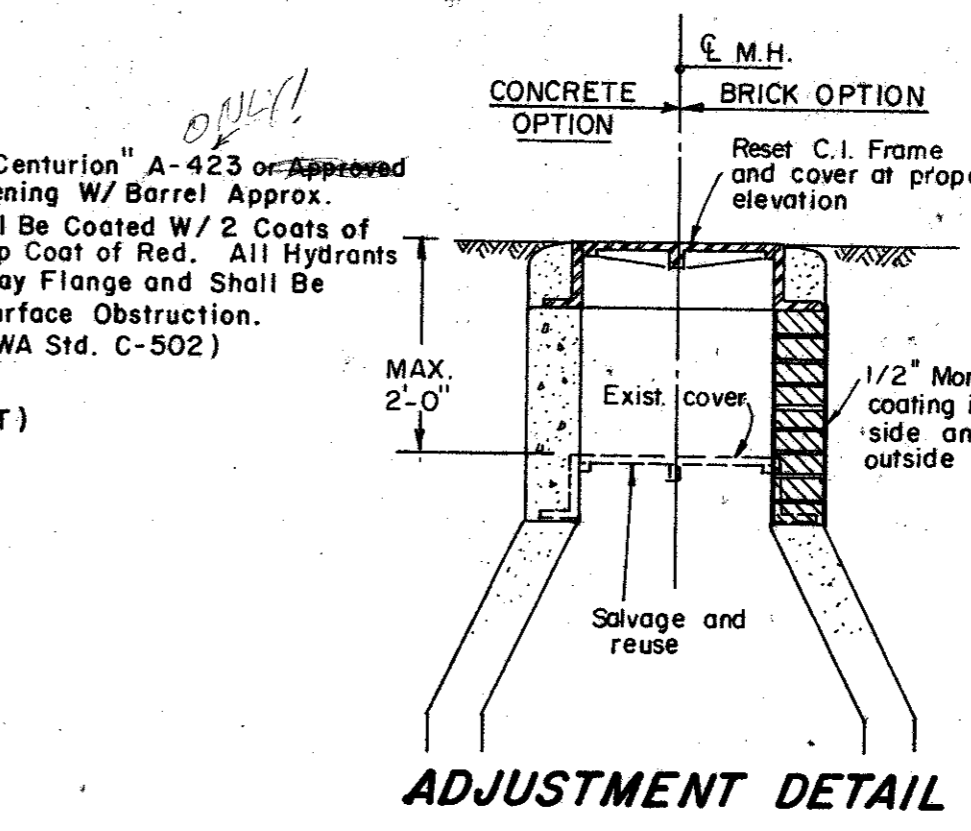


**FIRE HYDRANT RELOCATION DETAIL**

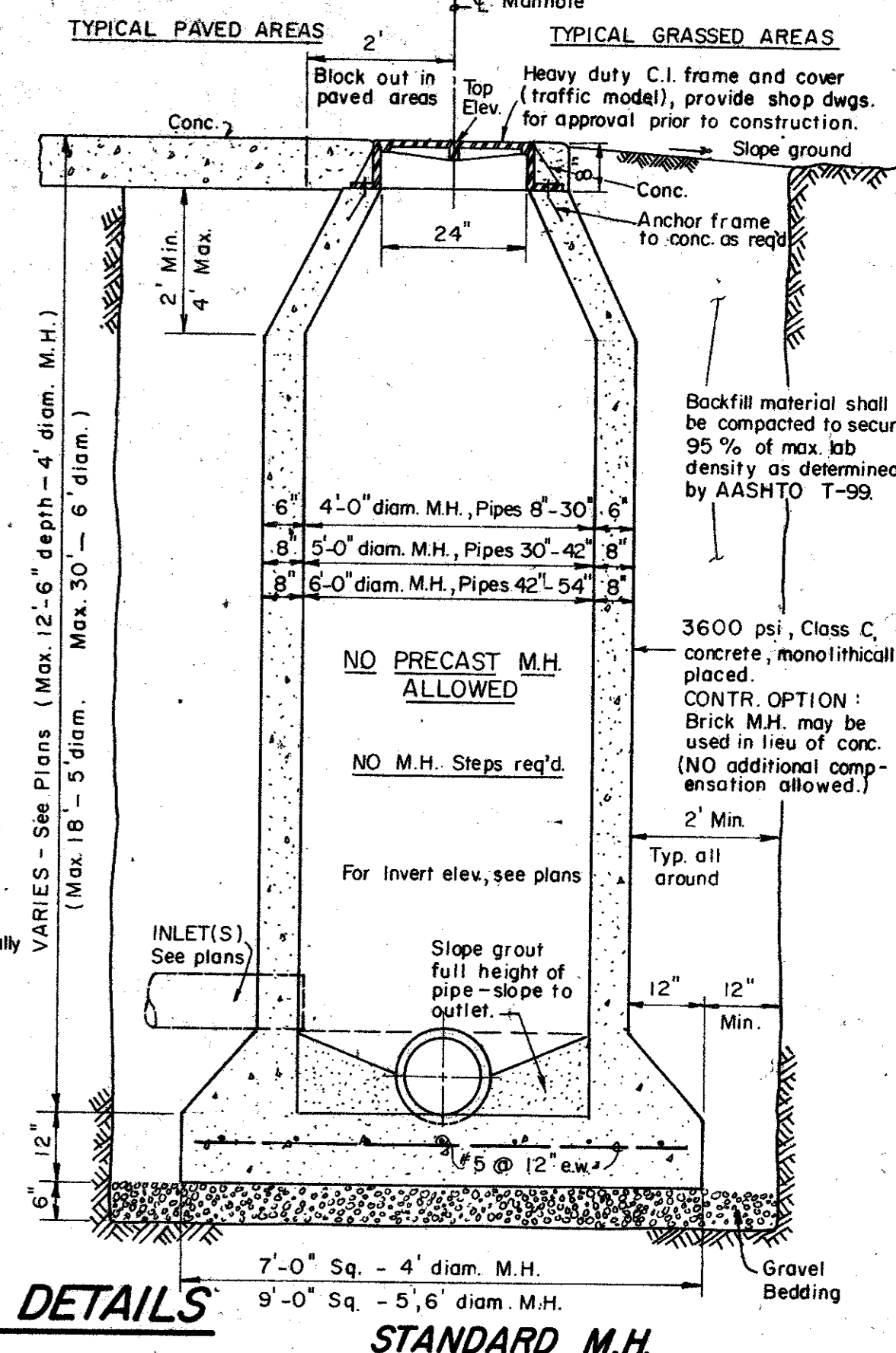


**VALVE BOX DETAIL**  
(See Plans for "Main Size")

**FIRE HYDRANT INSTALLATION**  
(Includes 6" Valve)

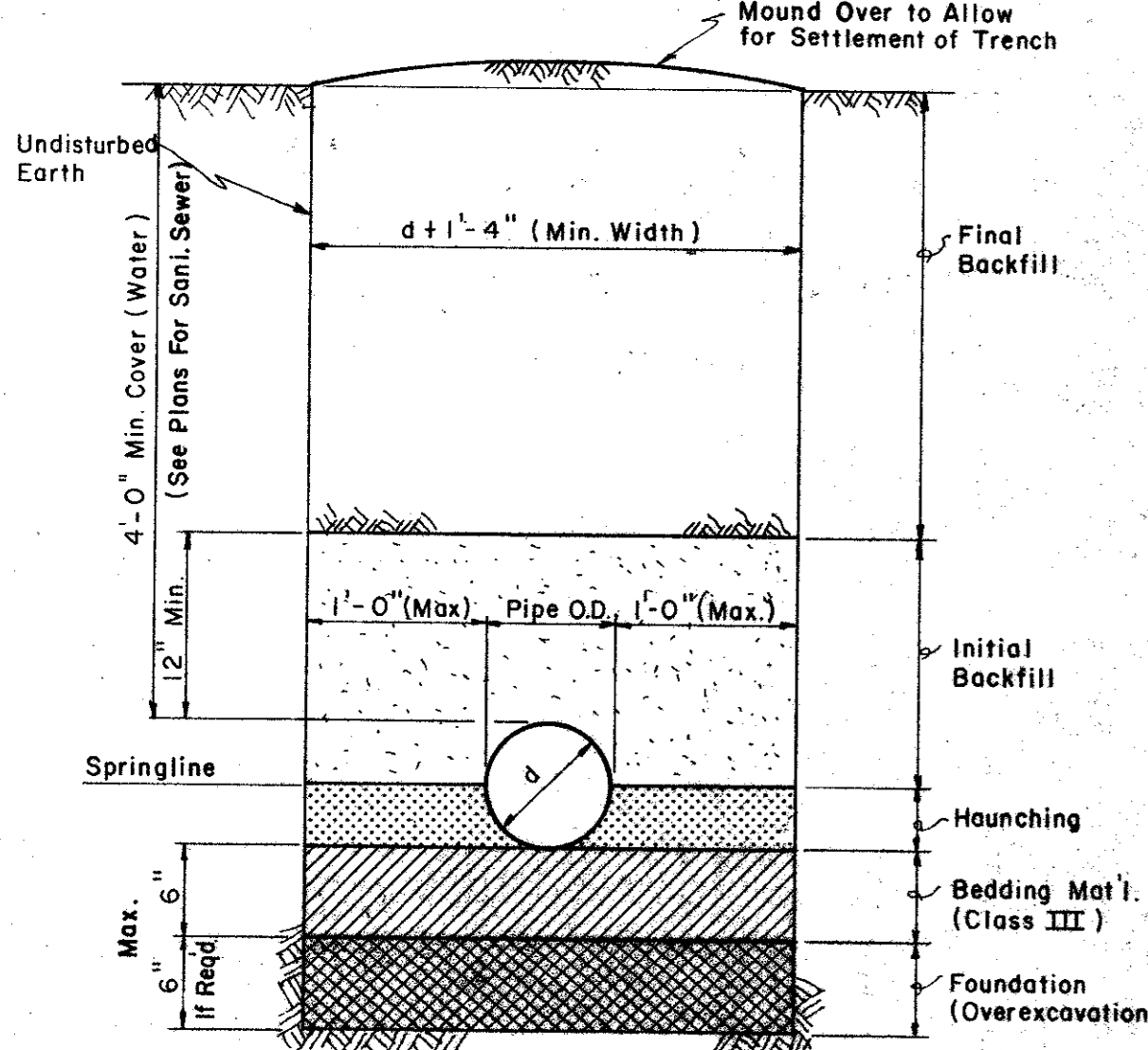


**SHALLOW M.H.**



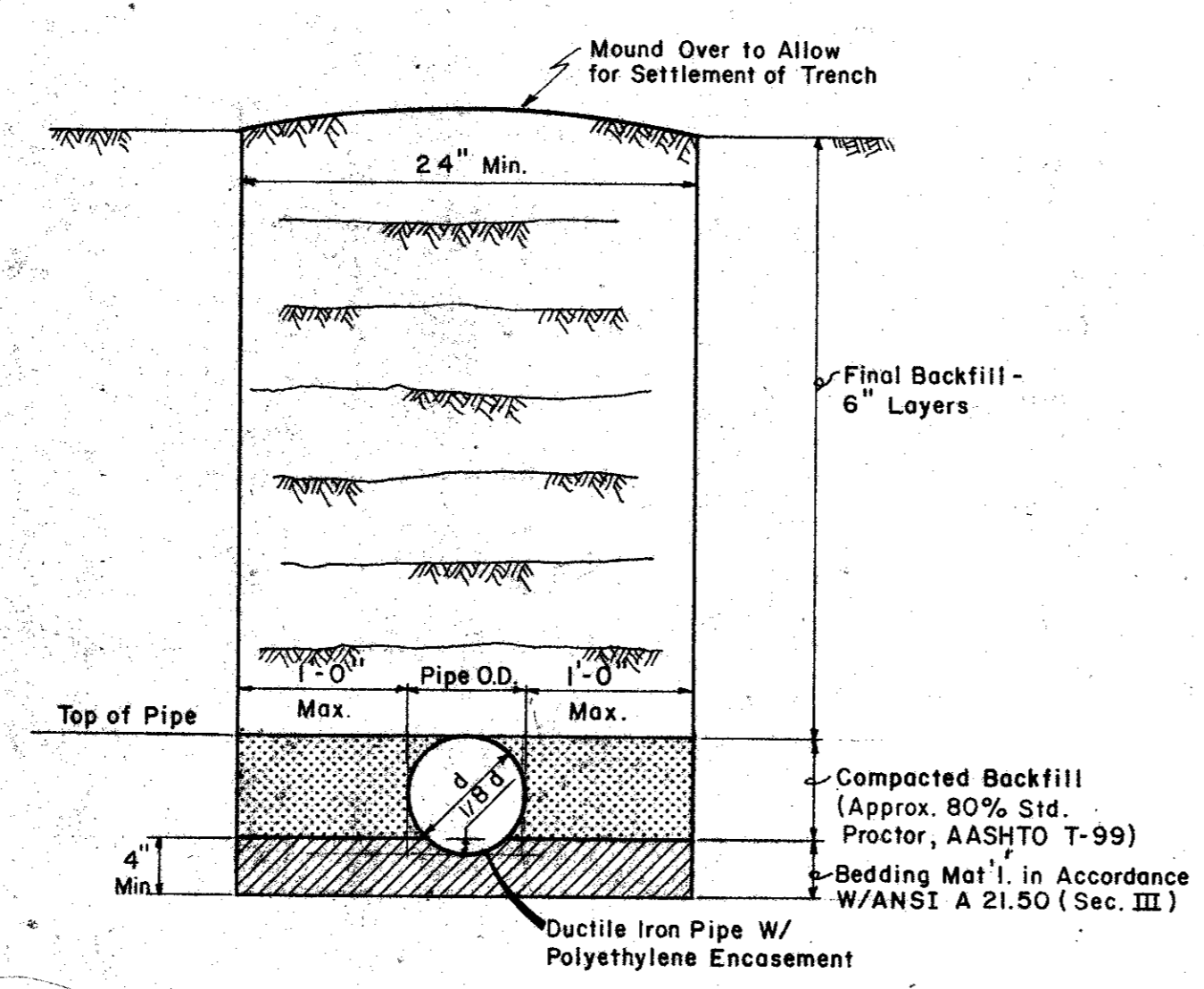
**TYPICAL MANHOLE DETAILS**

**STANDARD M.H.**



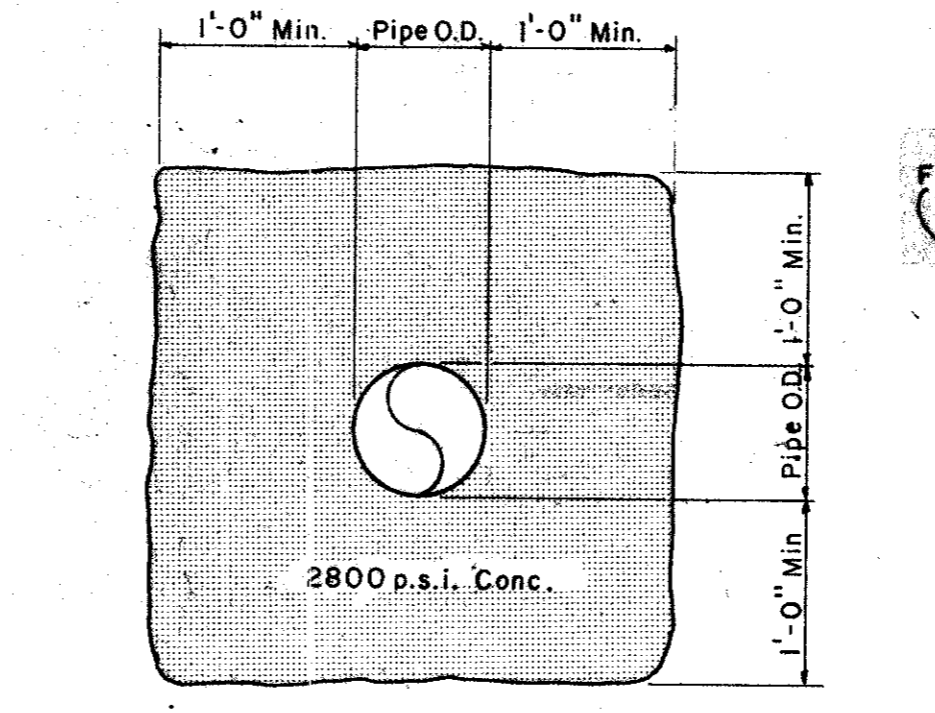
**TYP. BACKFILL DETAIL (P.V.C)**

Scale = 1" = 1'-0"

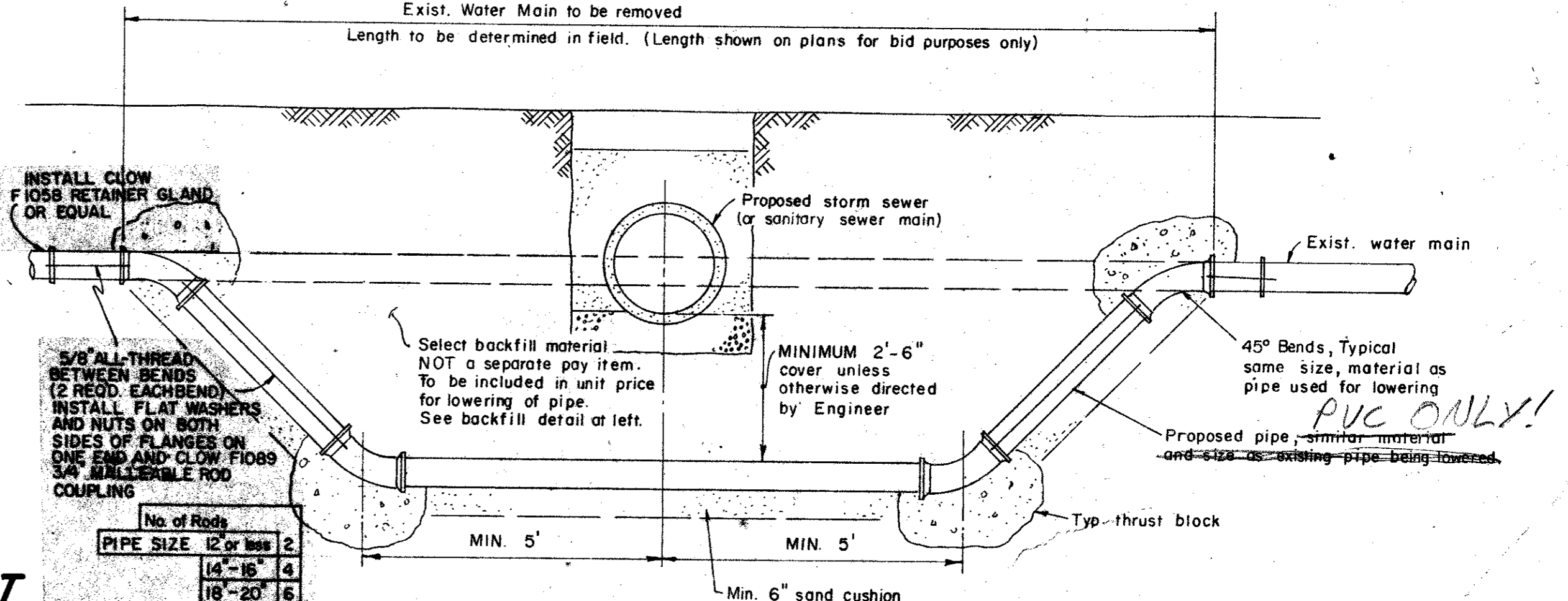


**TYP. BACKFILL DETAIL (DUCTILE IRON PIPE)**

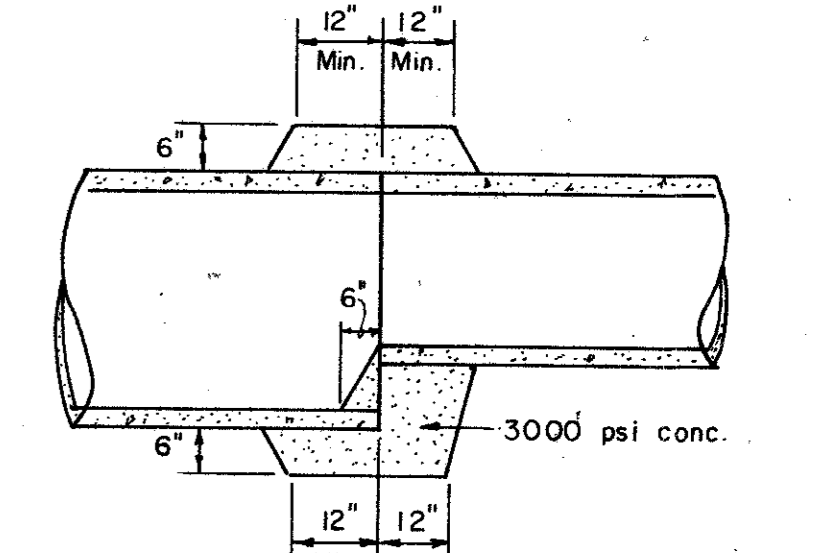
Scale = 1" = 1'-0"



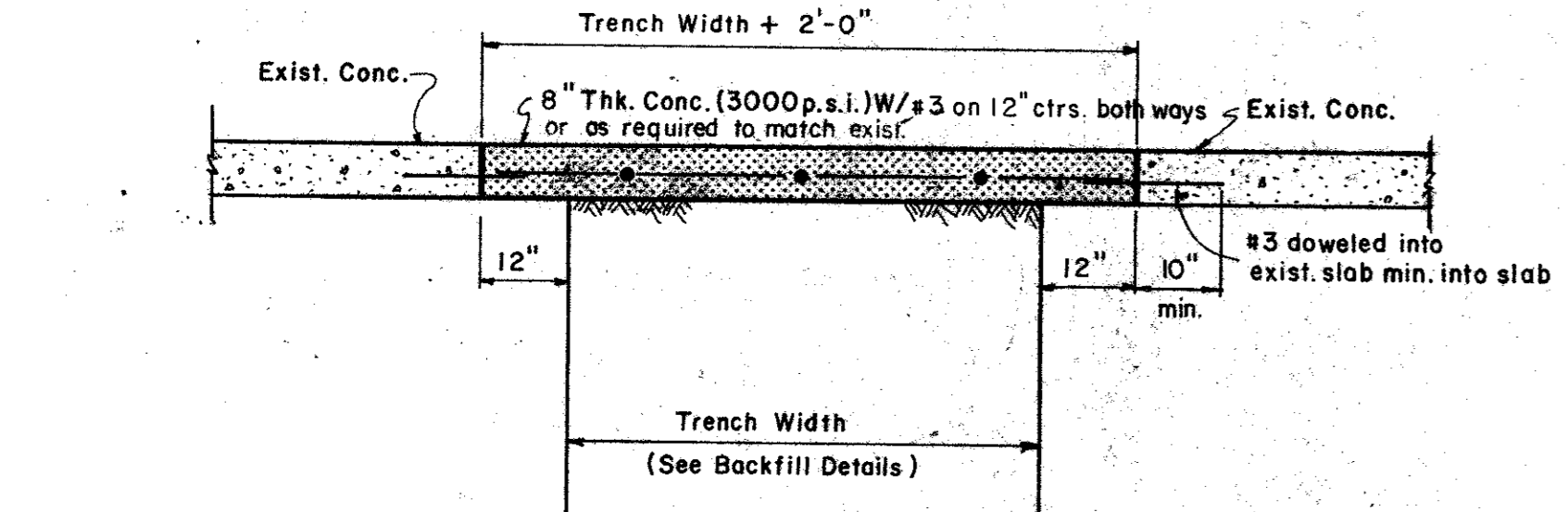
**TYP. CONC. ENCASEMENT**



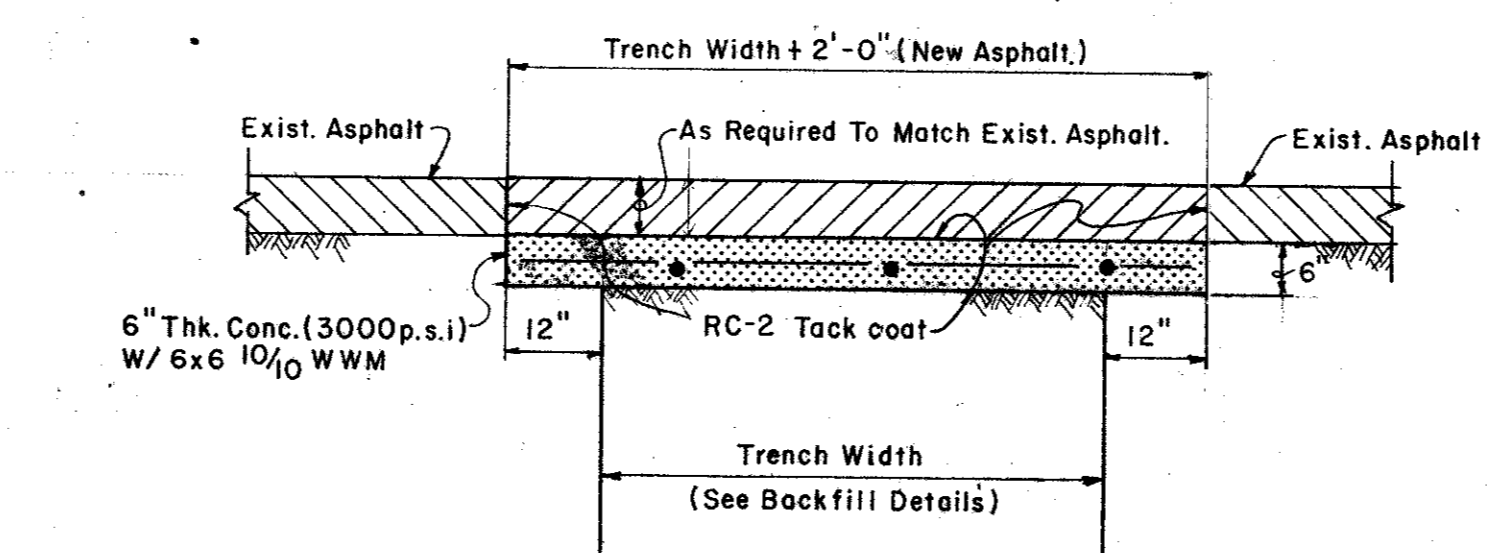
**TYPICAL "LOWERING" DETAIL**



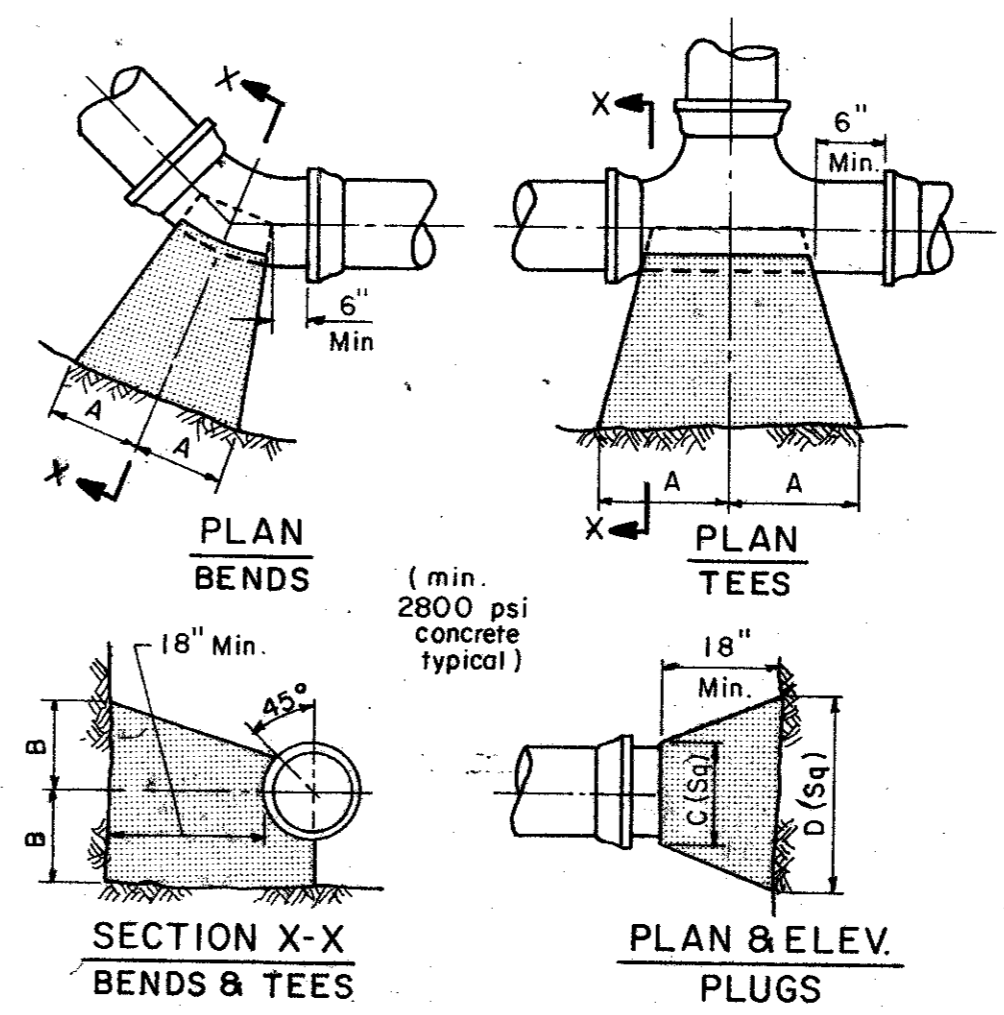
**CONC. COLLAR DETAIL**



**TYP. CONC. PAVEMENT REPLACEMENT DETAIL**



**TYP. ASPHALT PAVEMENT REPLACEMENT DETAIL**



SOIL	SIZE	1/8" BEND		1/4" BEND		1/2" BEND		TEE		PLUG	
		A	B	A	B	A	B	A	B	C	D
4000 PSF	8"	12"	12"	8"	10"	5"	9"	9"	12"	12"	20"
2000 PSF	8"	22"	13"	13"	8"	10"	13"	16"	12"	29"	

CITY OF ADDISON  
DALLAS COUNTY, TEXAS

**MISC. DETAILS**

**GINN, INC.**  
Consulting Engineers - Dallas, Texas

DESIGNED - W.K. DRAWN - S.M.M. DATE -  
APPROVED - H.W.G. CHECKED - G.F. SCALE - AS SHOWN SHEET 30 OF