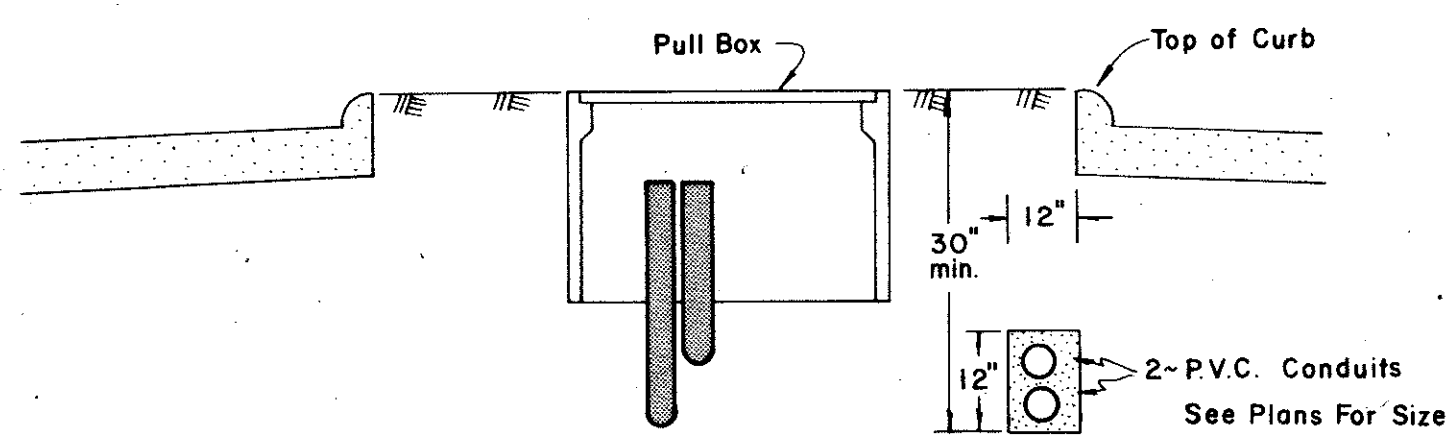
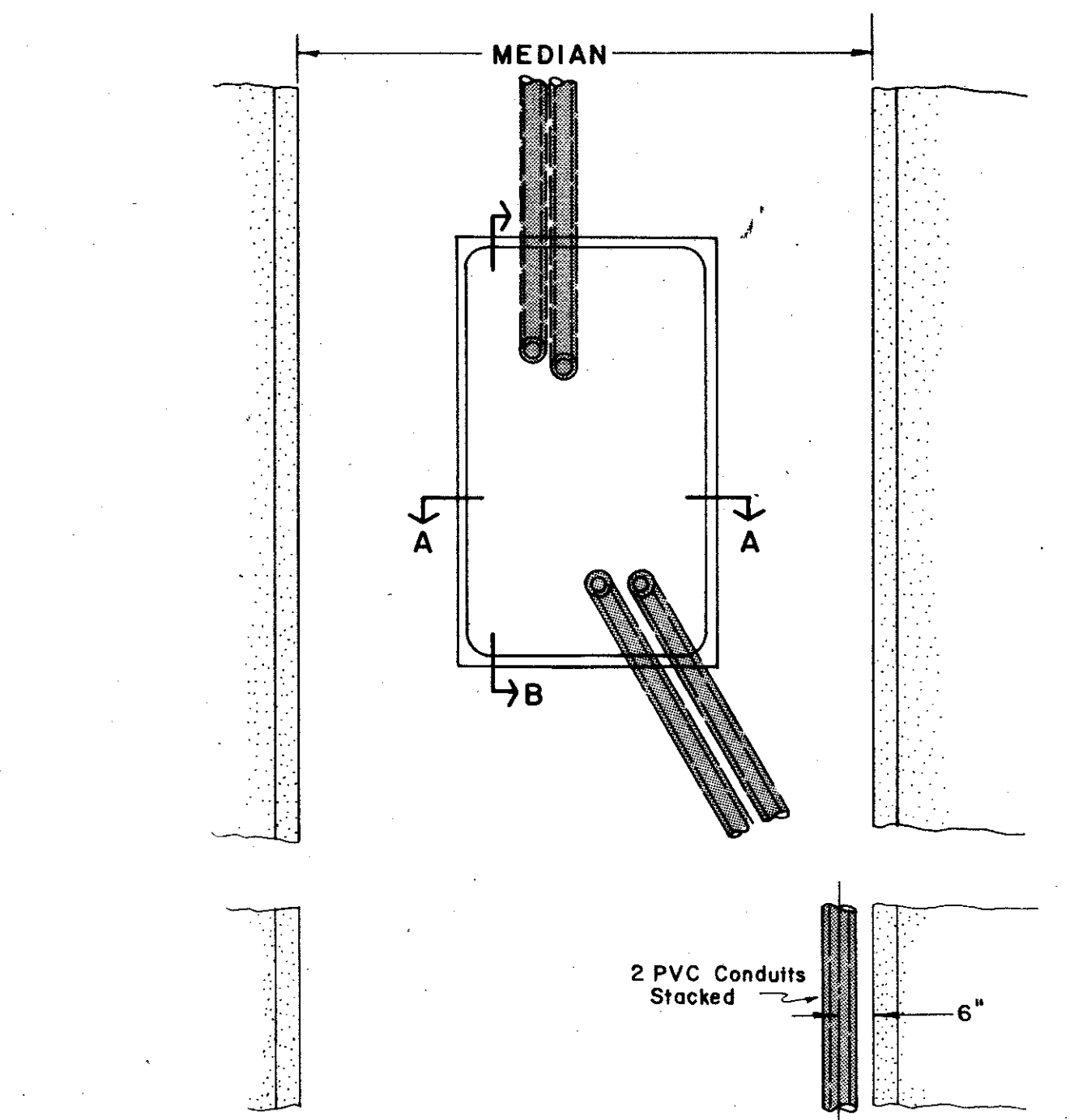
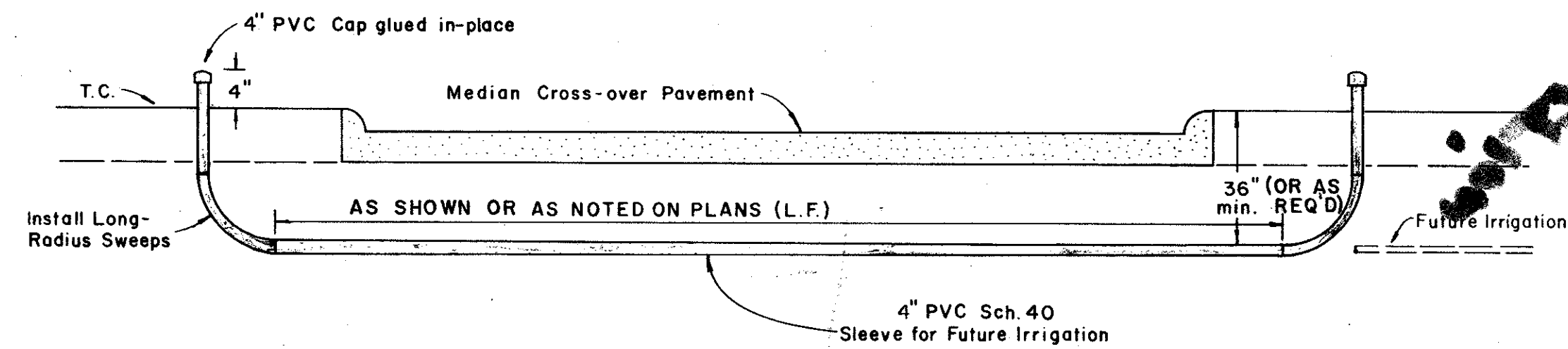


SECT. B-B

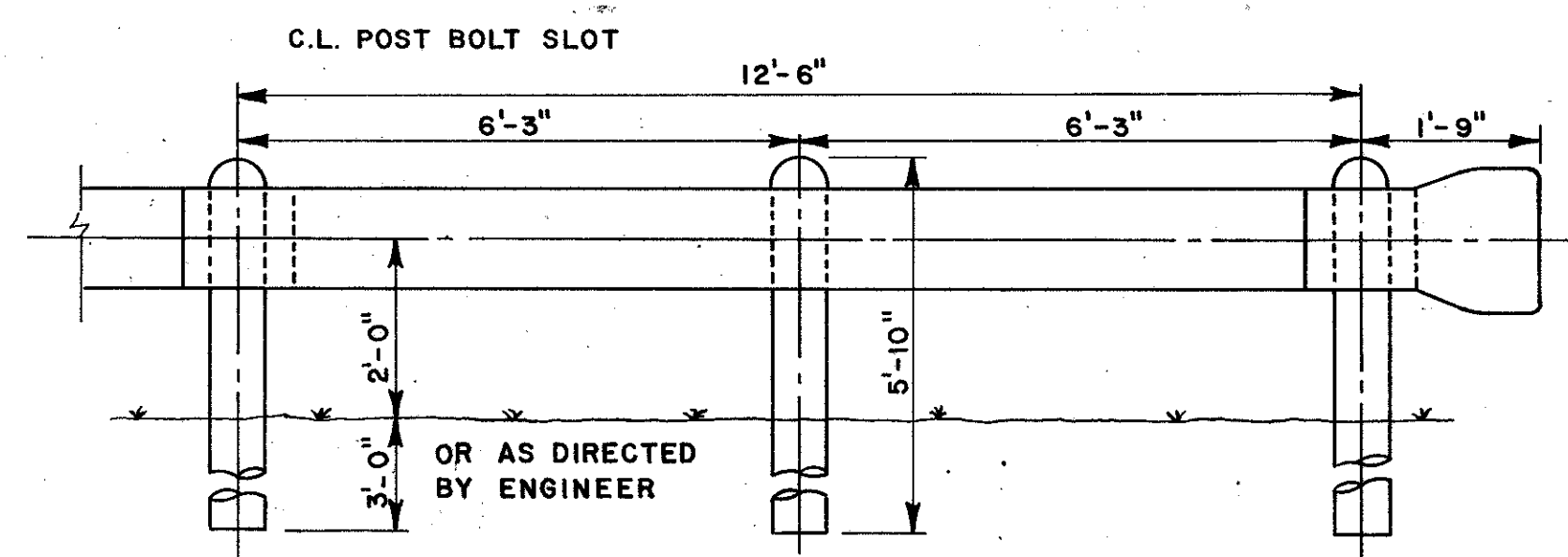
PULL BOX & CONDUIT DETAIL



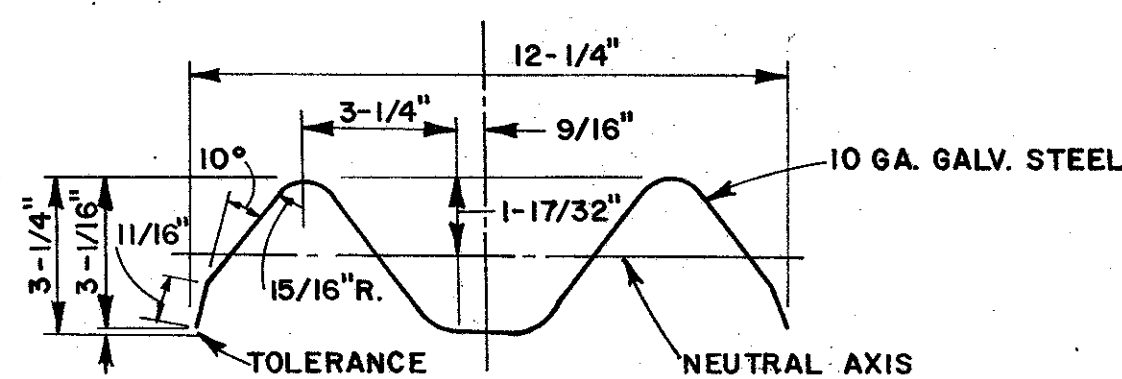
SECT. A-A



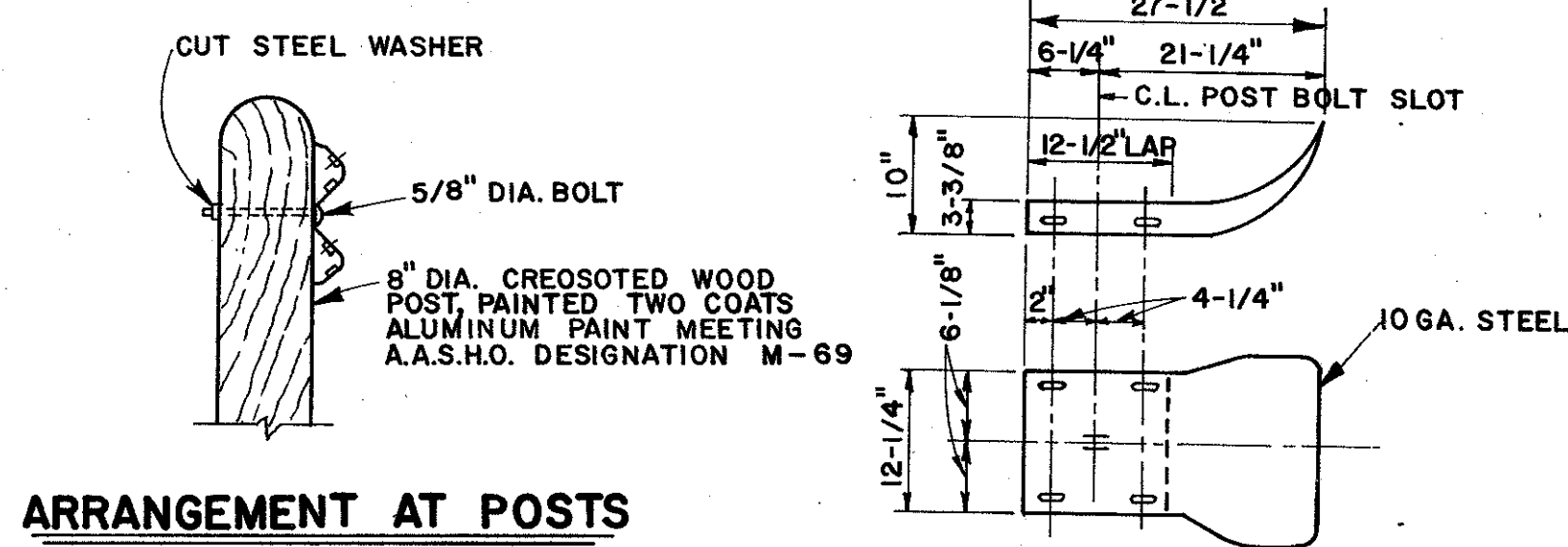
PVC SLEEVE FOR FUTURE IRRIGATION



INSTALLATION

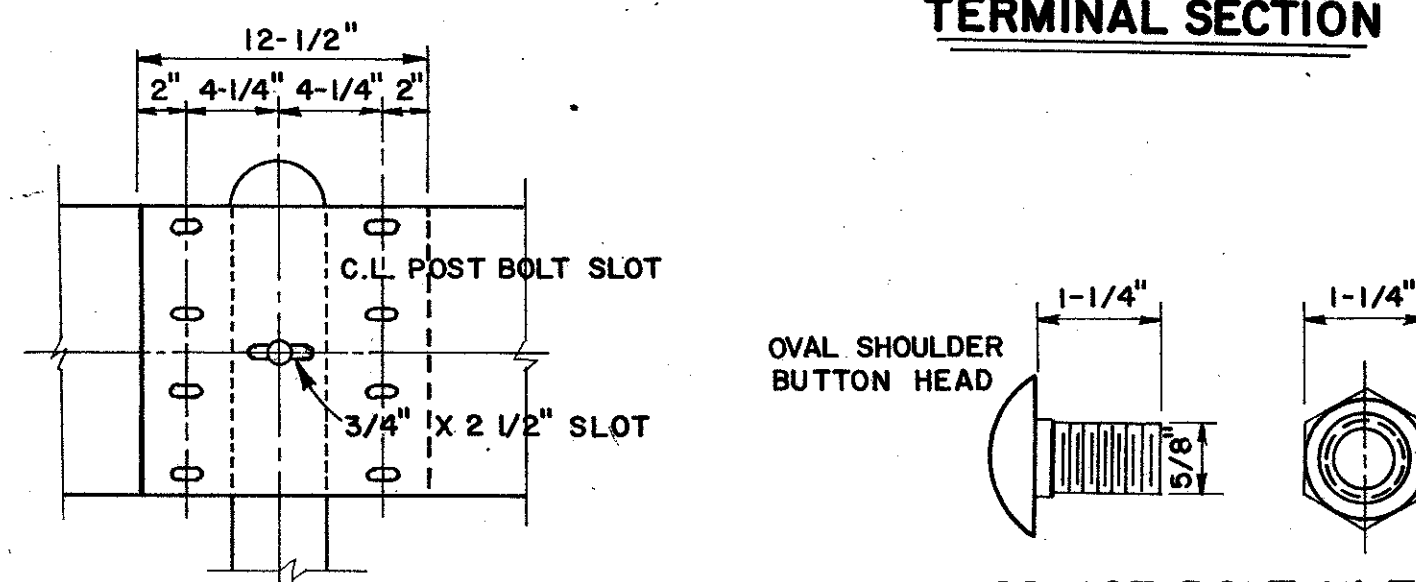


SECTION THROUGH RAIL ELEMENT



ARRANGEMENT AT POSTS

TERMINAL SECTION

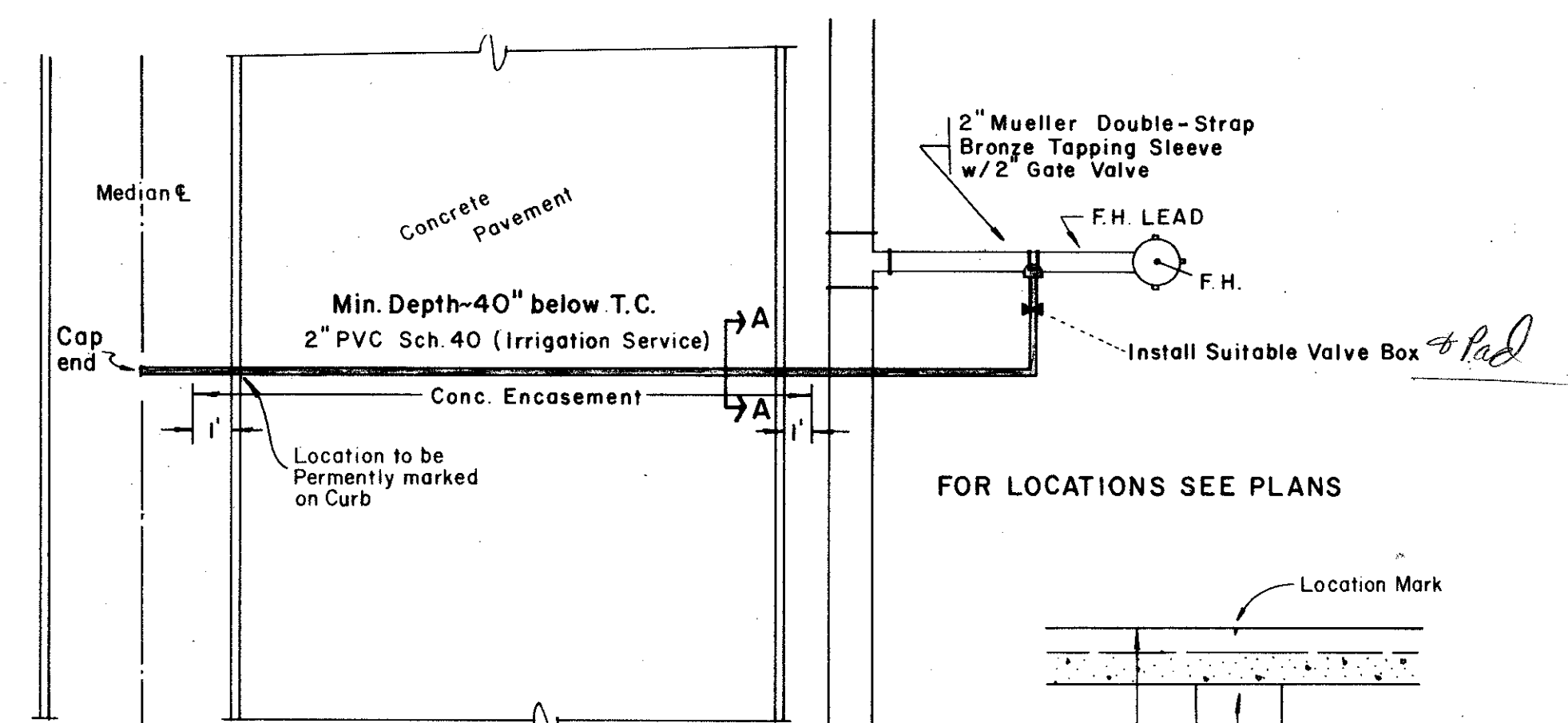


RAIL SPLICE

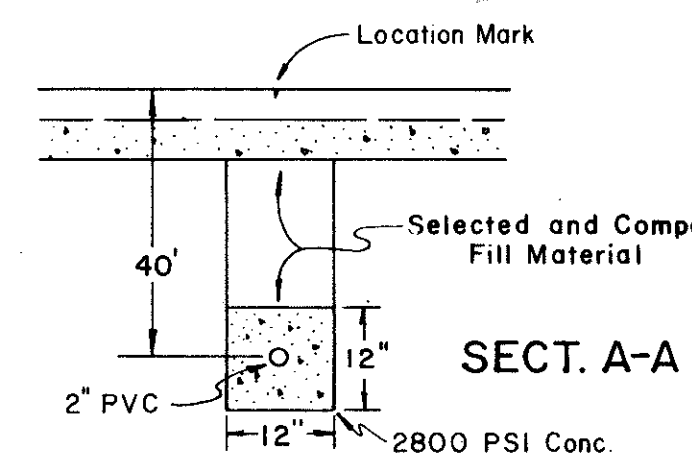
SPLICE BOLT NUT

ALL DIMENSIONS ARE SUBJECT TO MANUFACTURING TOLERANCE

DEEP BEAM HIGHWAY GUARD RAIL



WATER SERVICE FOR MEDIANS



SECT. A-A

NO.	REVISION	BY	DATE
CITY OF ADDISON DALLAS COUNTY, TEXAS SPRING VALLEY ROAD			
MISC. DETAILS			
GINN, INC. Consulting Engineers - Dallas, Texas			
DESIGNED	DRAWN R.G.B.	DATE	FILE 178
APPROVED	CHECKED	SCALE NONE	SHEET OF

281199
R.G.B. 1/14/92