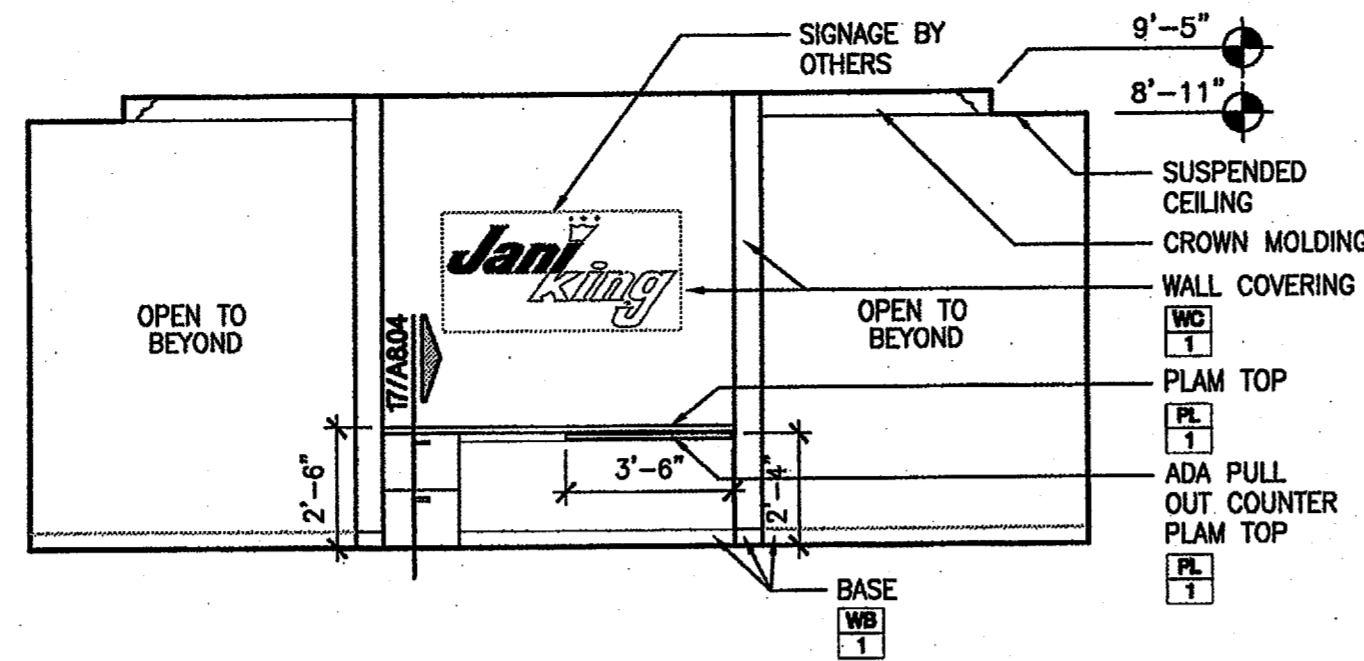
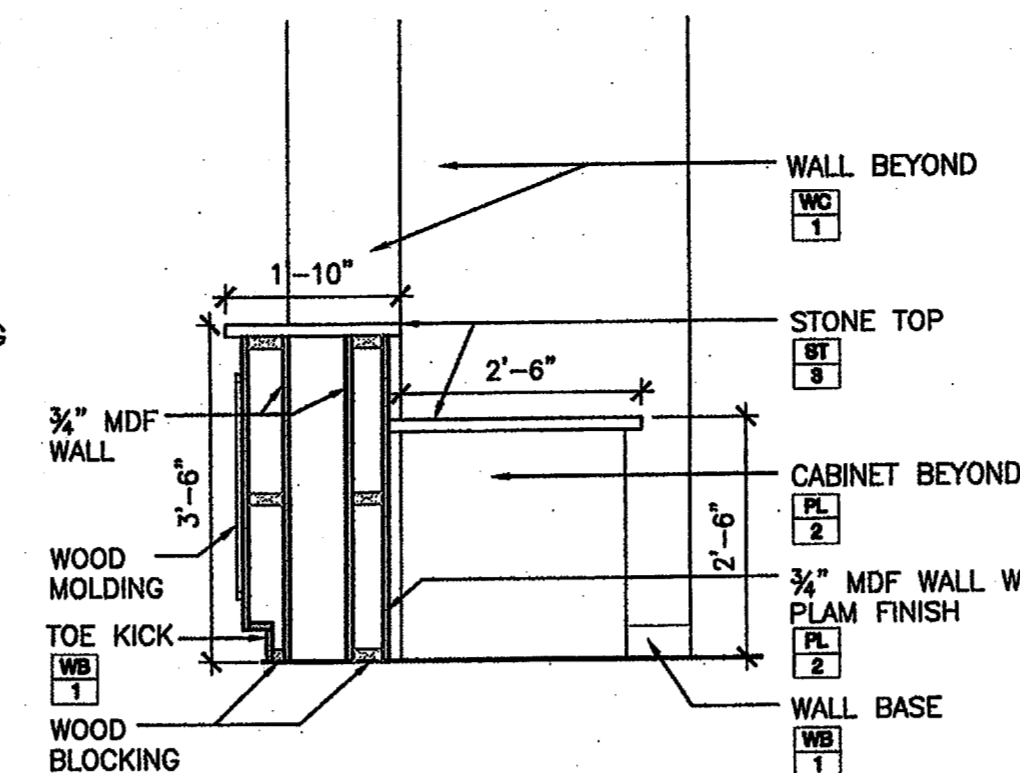


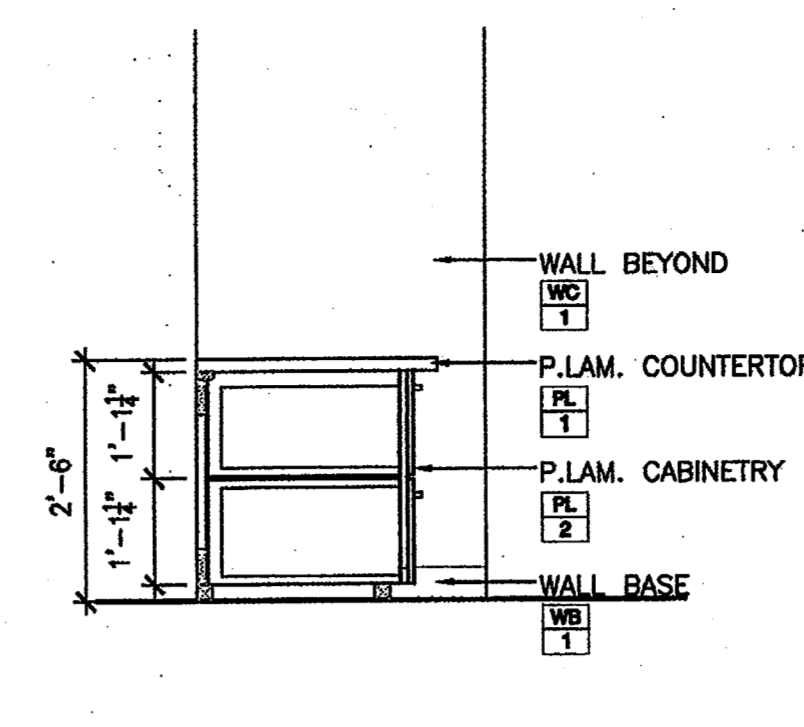
14 RECEPTION DESK ELEV. SCALE: 1/4" = 1'-0"



15 RECEPTION DESK ELEV. SCALE: 1/4" = 1'-0"

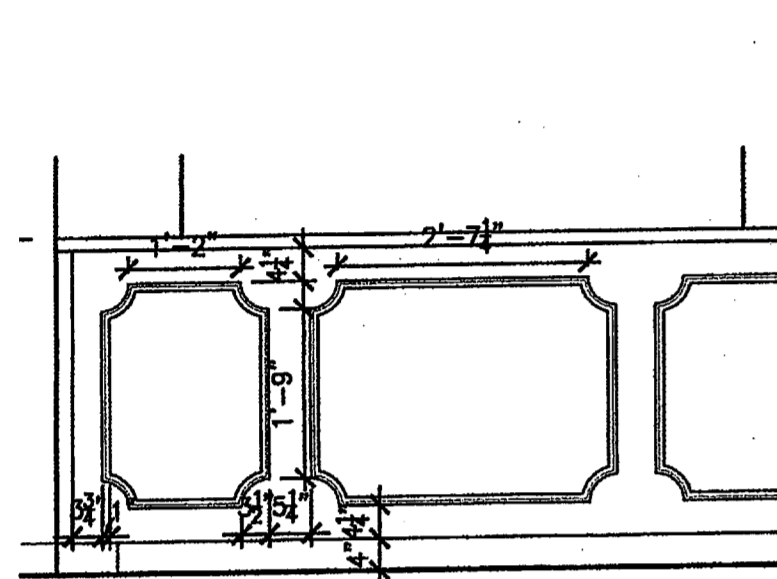


16 DESK SECT. SCALE: 1/2" = 1'-0"

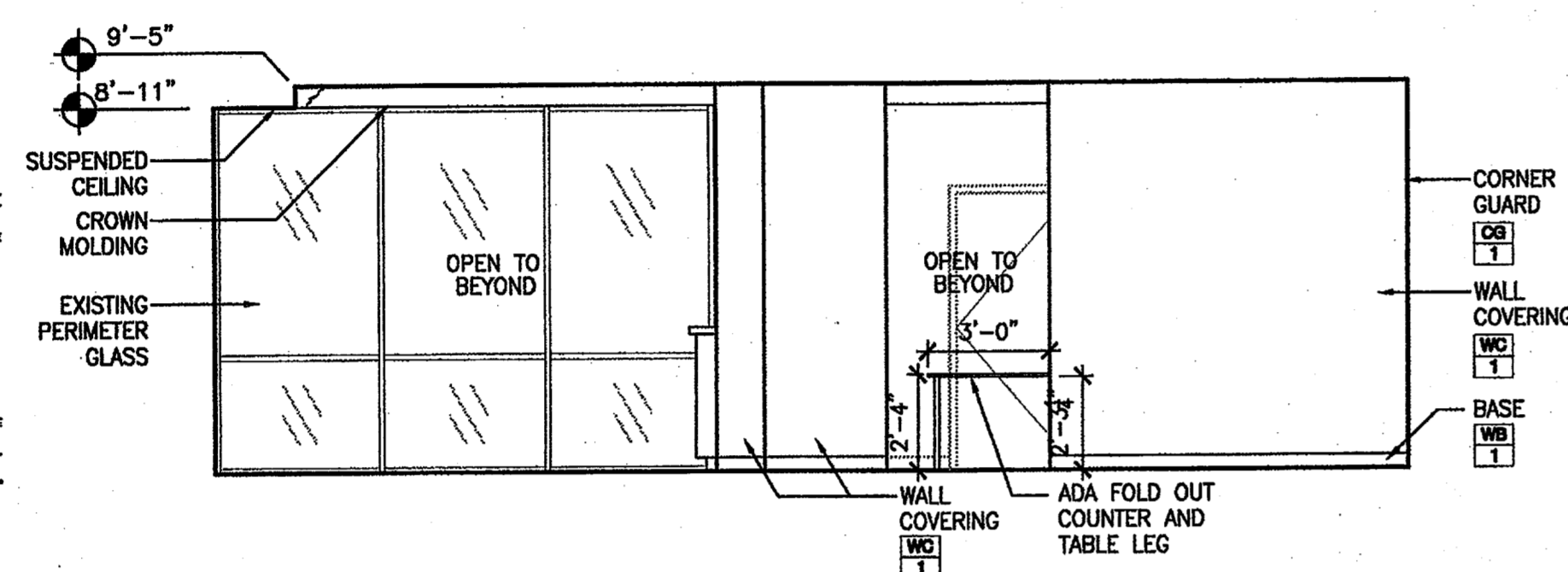


17 DESK SECT. SCALE: 1/2" = 1'-0"

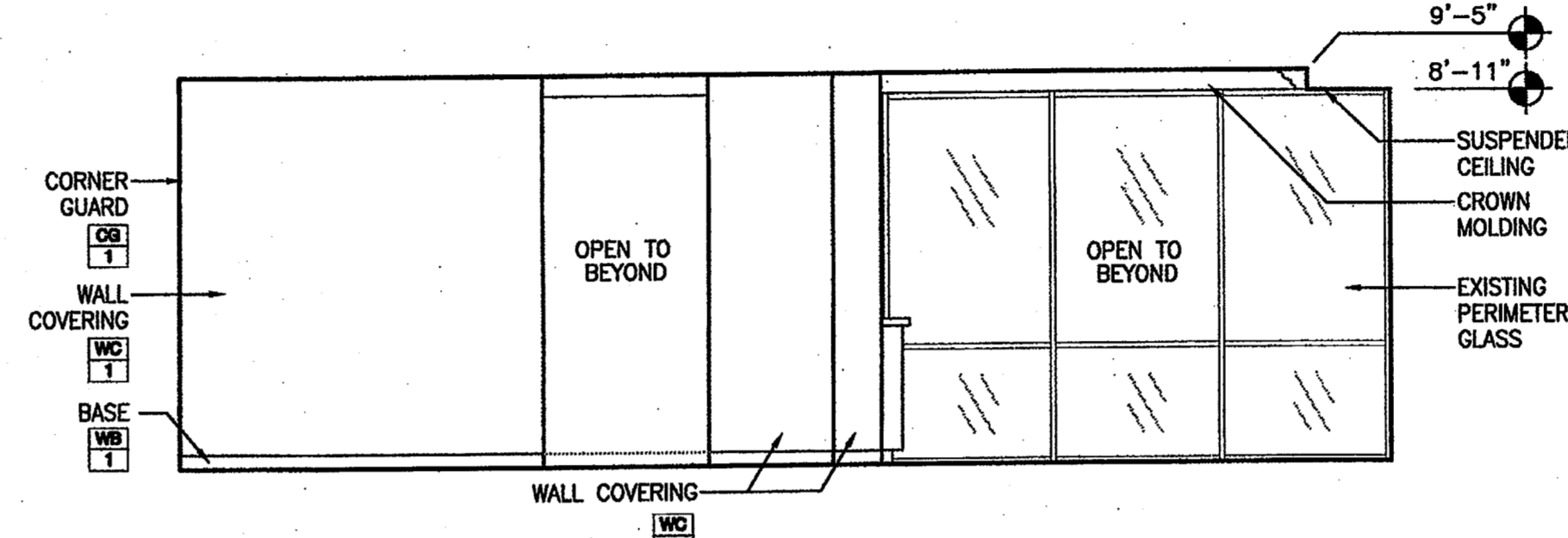
18 IMAGE REFERENCE N.T.S.



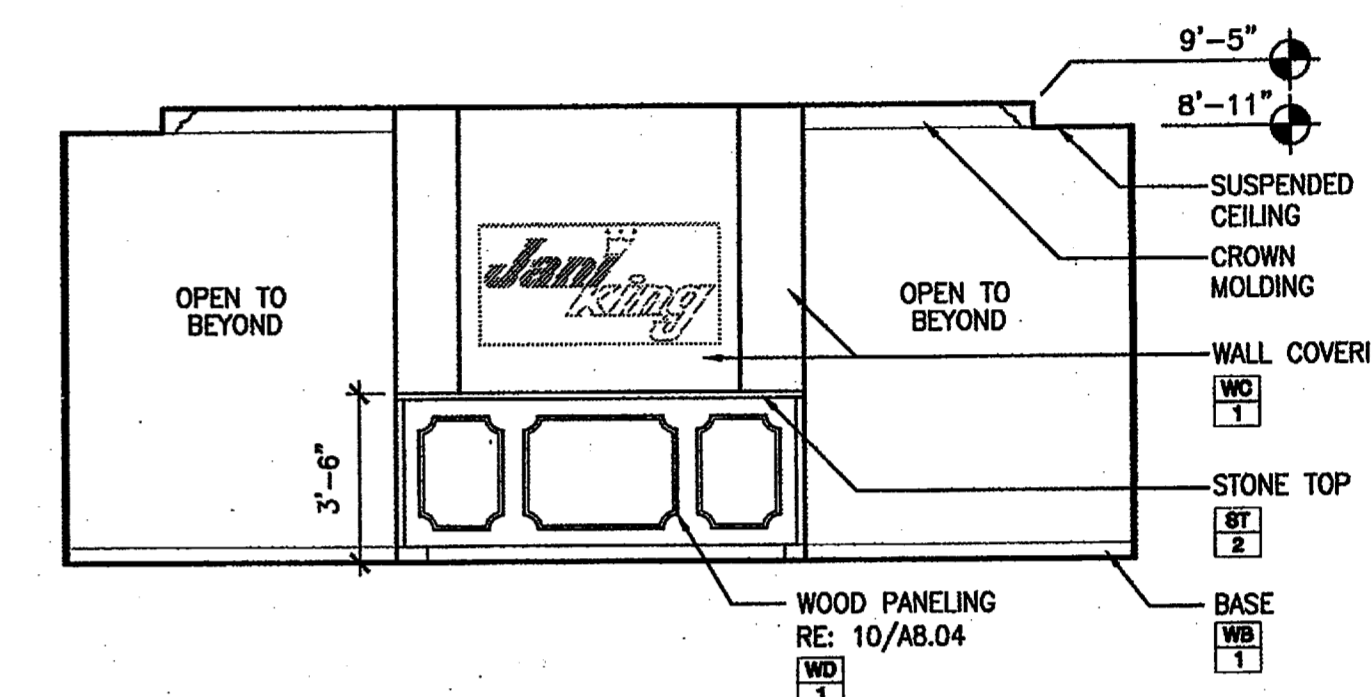
10 DESK DETAIL SCALE: 1/2" = 1'-0"



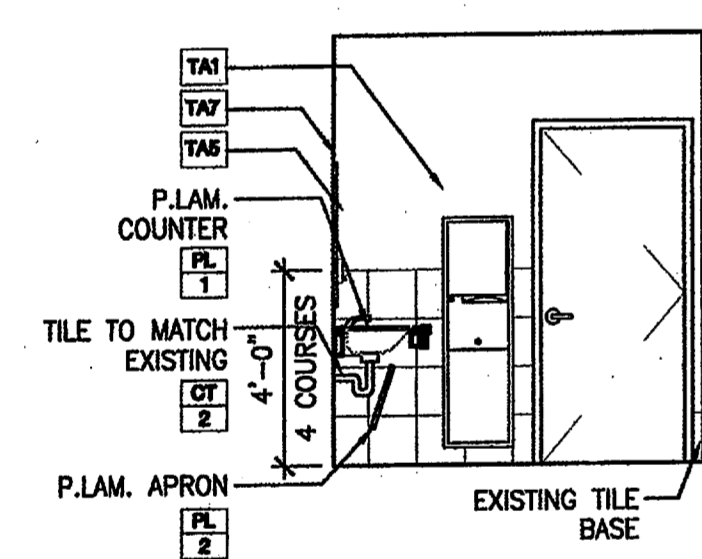
11 RECEPTION ELEVATION SCALE: 1/4" = 1'-0"



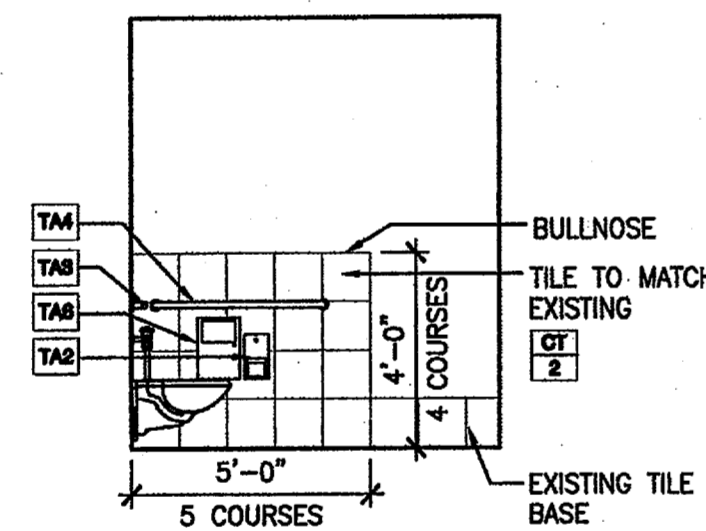
12 RECEPTION ELEVATION SCALE: 1/4" = 1'-0"



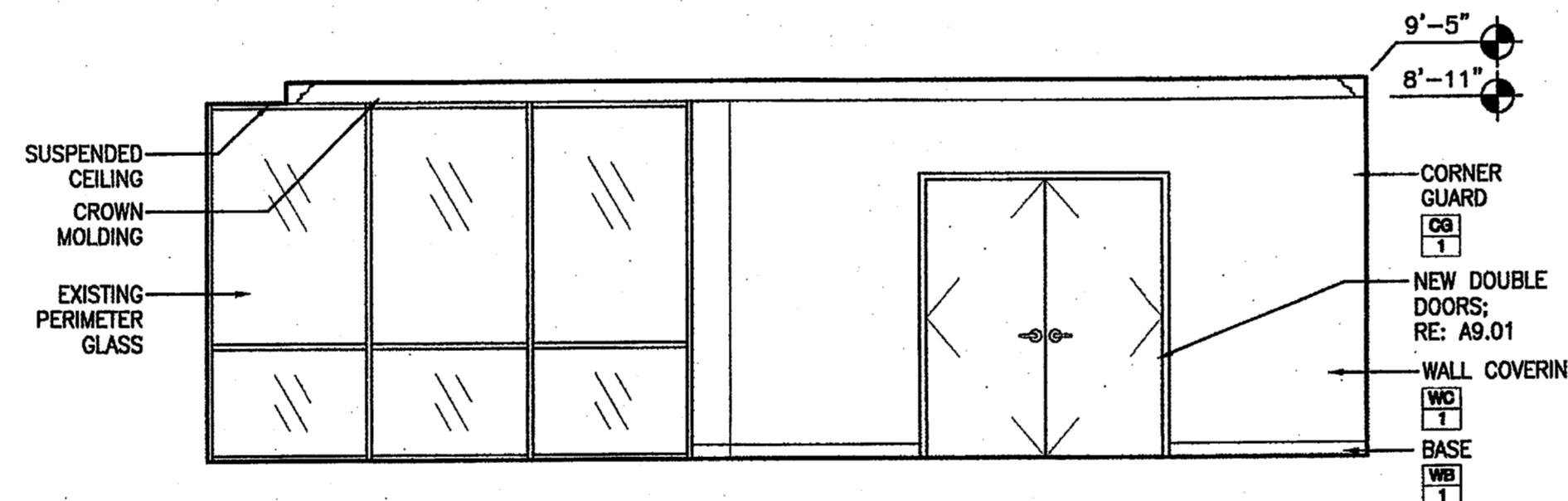
13 RECEPTION DESK ELEV. SCALE: 1/4" = 1'-0"



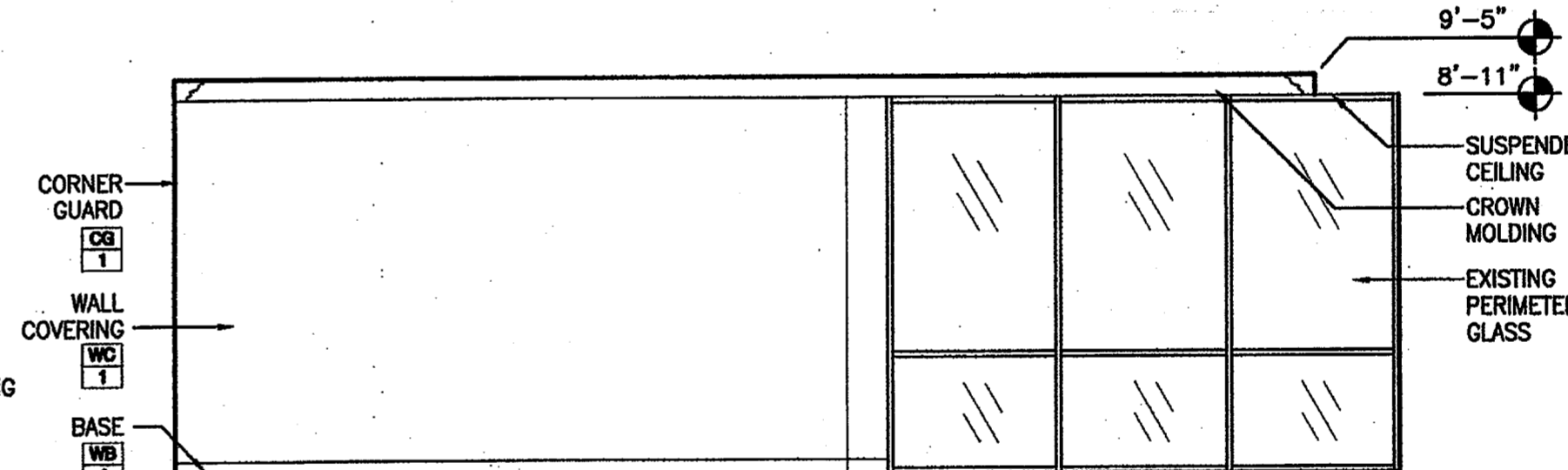
06 SECTION RESTROOM 133 SCALE: 1/4" = 1'-0"



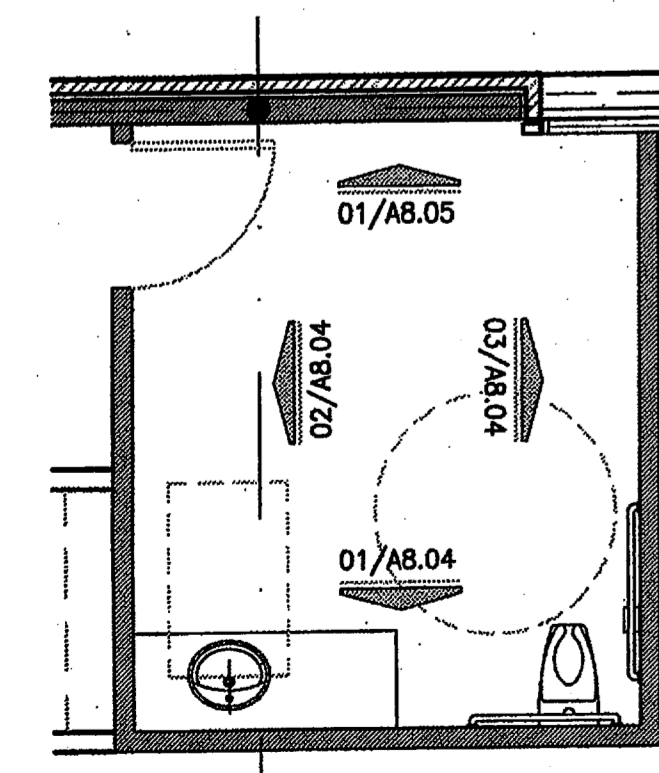
07 ELVATION RESTROOM 133 SCALE: 1/4" = 1'-0"



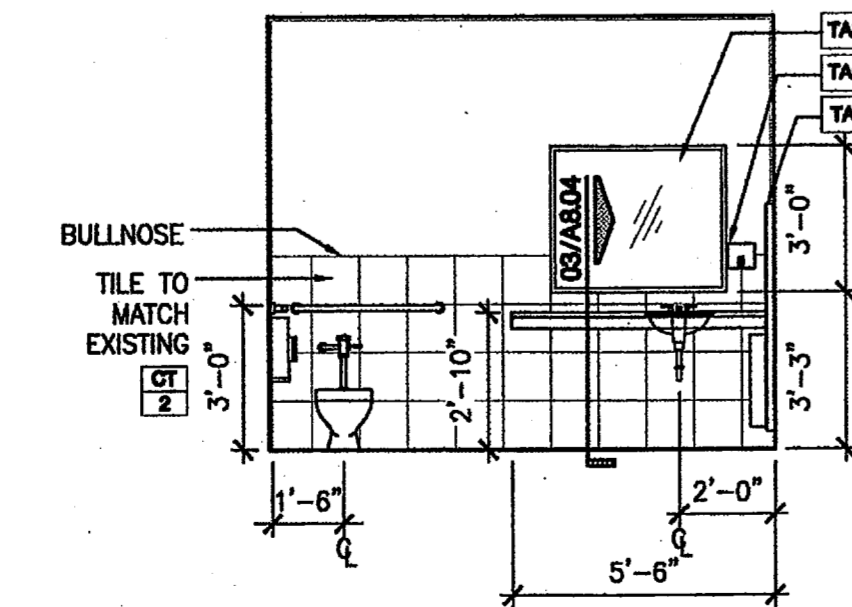
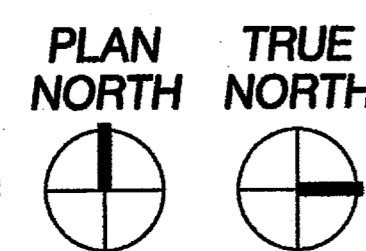
08 RECEPTION ELEVATION SCALE: 1/4" = 1'-0"



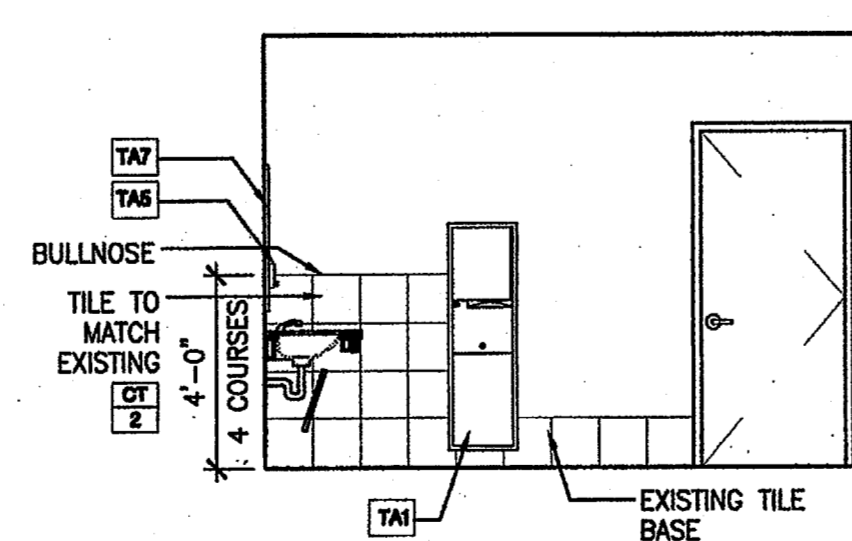
09 RECEPTION ELEVATION SCALE: 1/4" = 1'-0"



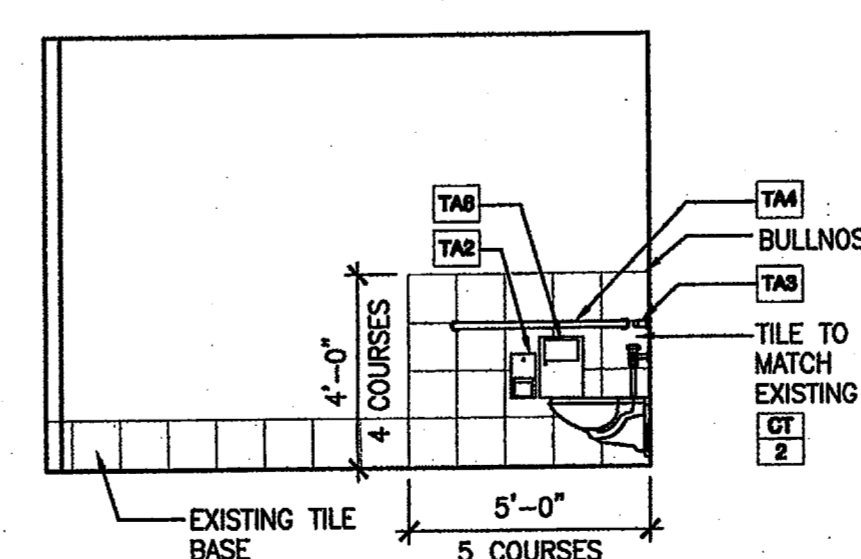
01 ENLARGED RESTROOM 105 SCALE: 1/4" = 1'-0"



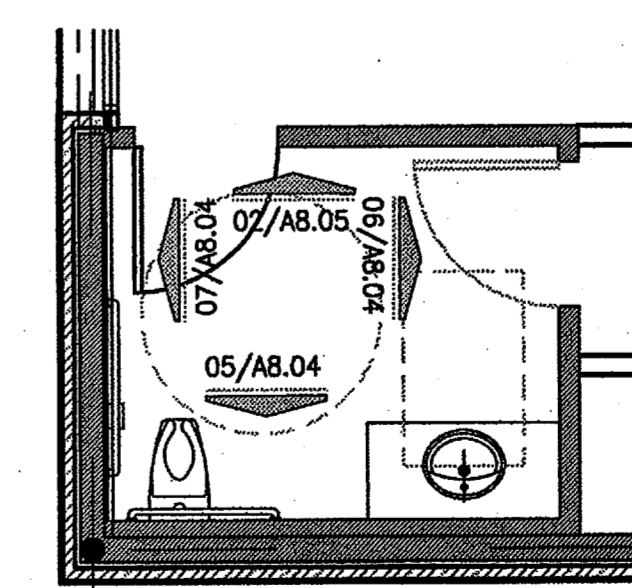
02 ELEVATION RESTROOM 105 SCALE: 1/4" = 1'-0"



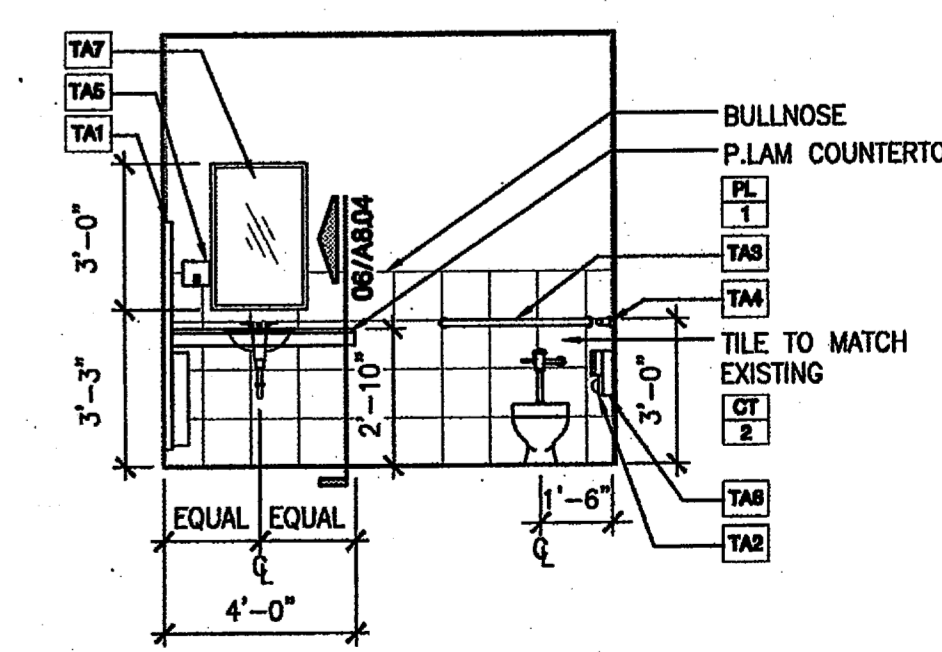
03 SECTION RESTROOM 105 SCALE: 1/4" = 1'-0"



03 ELVATION RESTROOM 105 SCALE: 1/4" = 1'-0"



04 ENLARGED RESTROOM 133 SCALE: 1/4" = 1'-0"



05 ELEVATION RESTROOM 133 SCALE: 1/4" = 1'-0"

JANI KING CALL CENTER 4393 SUNBELT DRIVE ADDISON, TEXAS

© 2009 MERRIMAN ASSOCIATES ARCHITECTS, P.C.

ADDENDUM 2 01-29-09

PROJECT NUMBER 2008195

DATE FEBRUARY 9, 2009

SHEET NAME

ENLARGED PLANS, ELEVATIONS, & SECTIONS

SHEET