



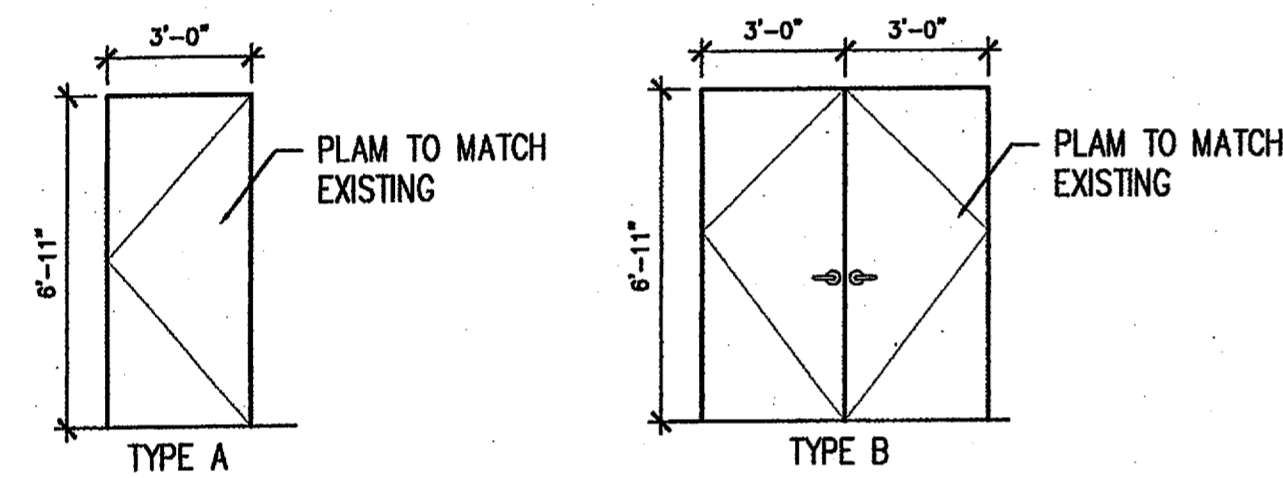
DOOR SCHEDULE

DOOR NUMBER	DR. TYPE	DIMENSIONS			DOOR & FRAME MATERIAL	FRAME	HARDWARE	REMARKS	DOOR NOTE	HDWR NOTE	STOP
		WIDTH	HEIGHT	THICK.							
102	A	3'-0"	6'-11"	1-3/4"	SC/HM	1	A				WALL
103A	A	3'-0"	6'-11"	1-3/4"	SC/HM	1	A				WALL
104	B	(2)3'-0"	6'-11"	1-3/4"	SC/HM	2	A				WALL
108	A	3'-0"	6'-11"	1-3/4"	SC/HM	1	A				WALL
112	A	3'-0"	6'-11"	1-3/4"	SC/HM	1	A				WALL
123	A	3'-0"	6'-11"	1-3/4"	SC/HM	1	A				WALL
123A	A	3'-0"	6'-11"	1-3/4"	SC/HM	1	A				WALL
128	A	3'-0"	6'-11"	1-3/4"	SC/HM	1	A				WALL
131	A	3'-0"	6'-11"	1-3/4"	SC/HM	1	A				WALL
134	A	3'-0"	6'-11"	1-3/4"	SC/HM	1	A				WALL
134A	A	3'-0"	6'-11"	1-3/4"	SC/HM	1	A				WALL
135	A	3'-0"	6'-11"	1-3/4"	SC/HM	1	A				WALL

HARDWARE GROUPS

A MATCH EXISTING ADA COMPLIANT HARDWARE

DOOR TYPES



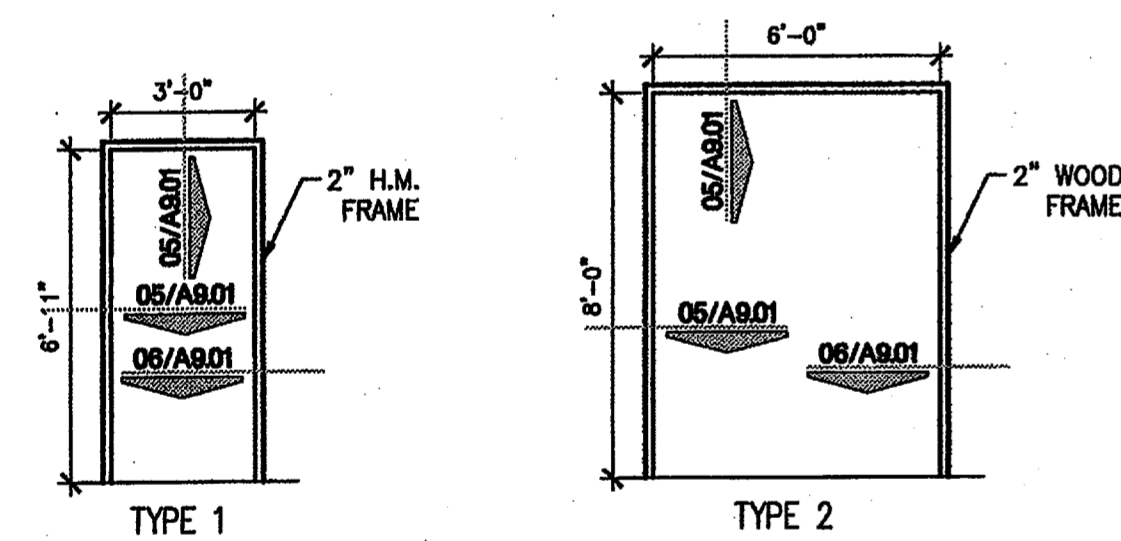
DOOR NOTE:

1. PAINTED DOOR AND FRAME, PT-X BOTH SIDES.

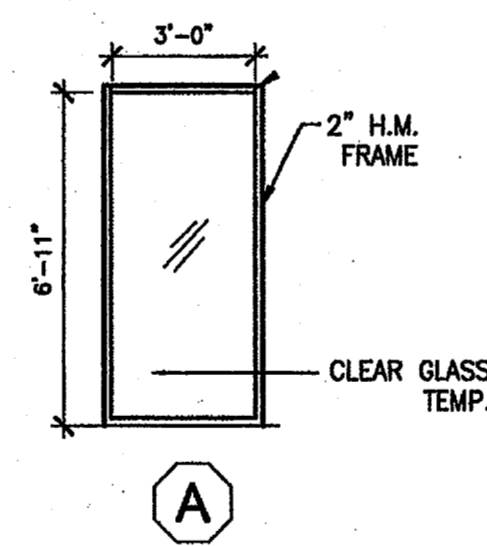
HARDWARE NOTE:

1. INSTALL 34" X 10" SATIN CHROME KICKPLATE TO FACE OF PUSH SIDE.
2. INSTALL PANIC HARDWARE ON THIS DOOR.
3. CONTRACTOR SHALL LEAVE ALL EXISTING ADA COMPLIANT HARDWARE AND REPLACE NON-COMPLIANT HARDWARE WITH COMPLIANT HARDWARE.

FRAME TYPES



WINDOW TYPES



JANI KING CALL CENTER
4393 SUNBELT DRIVE
 ADDISON, TEXAS