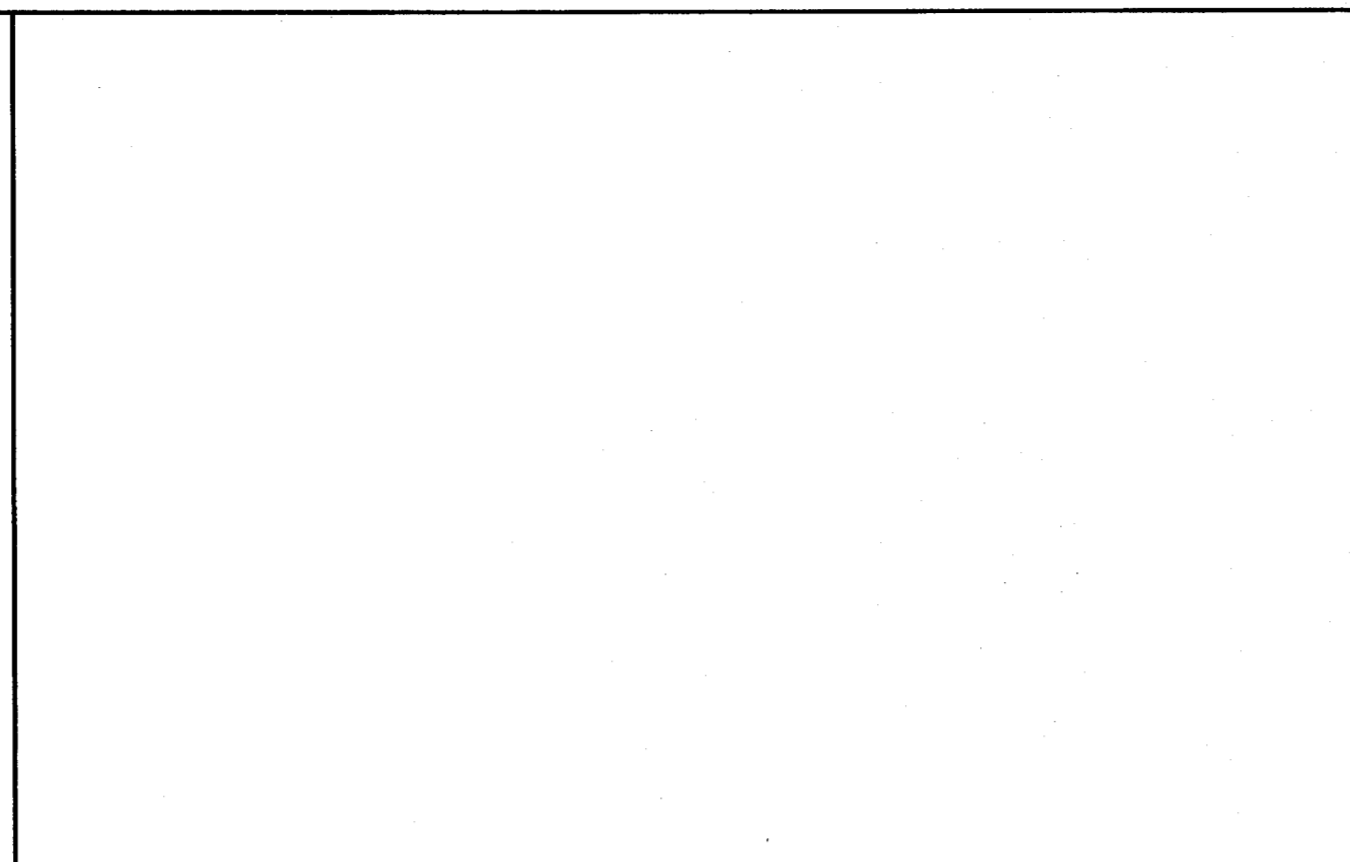
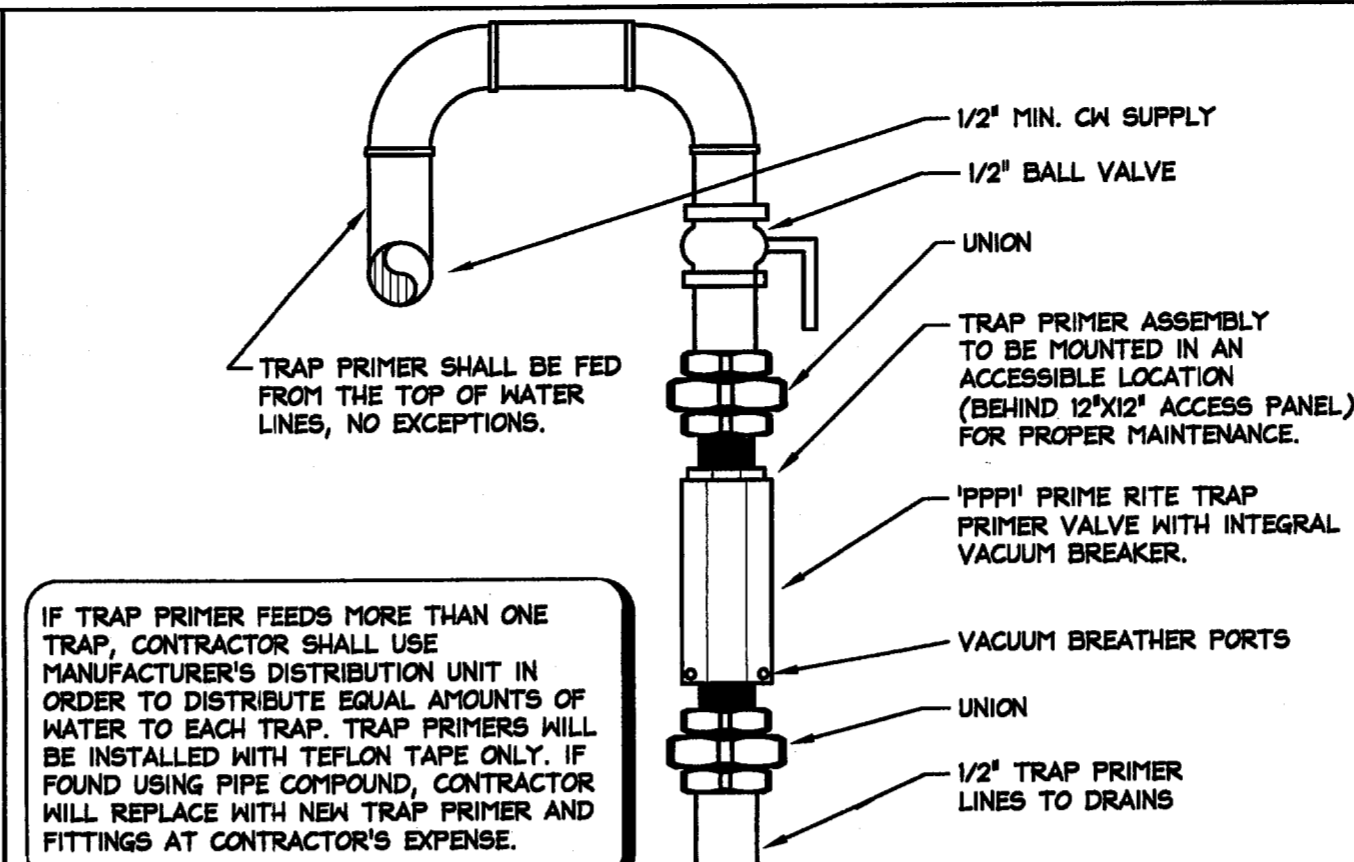


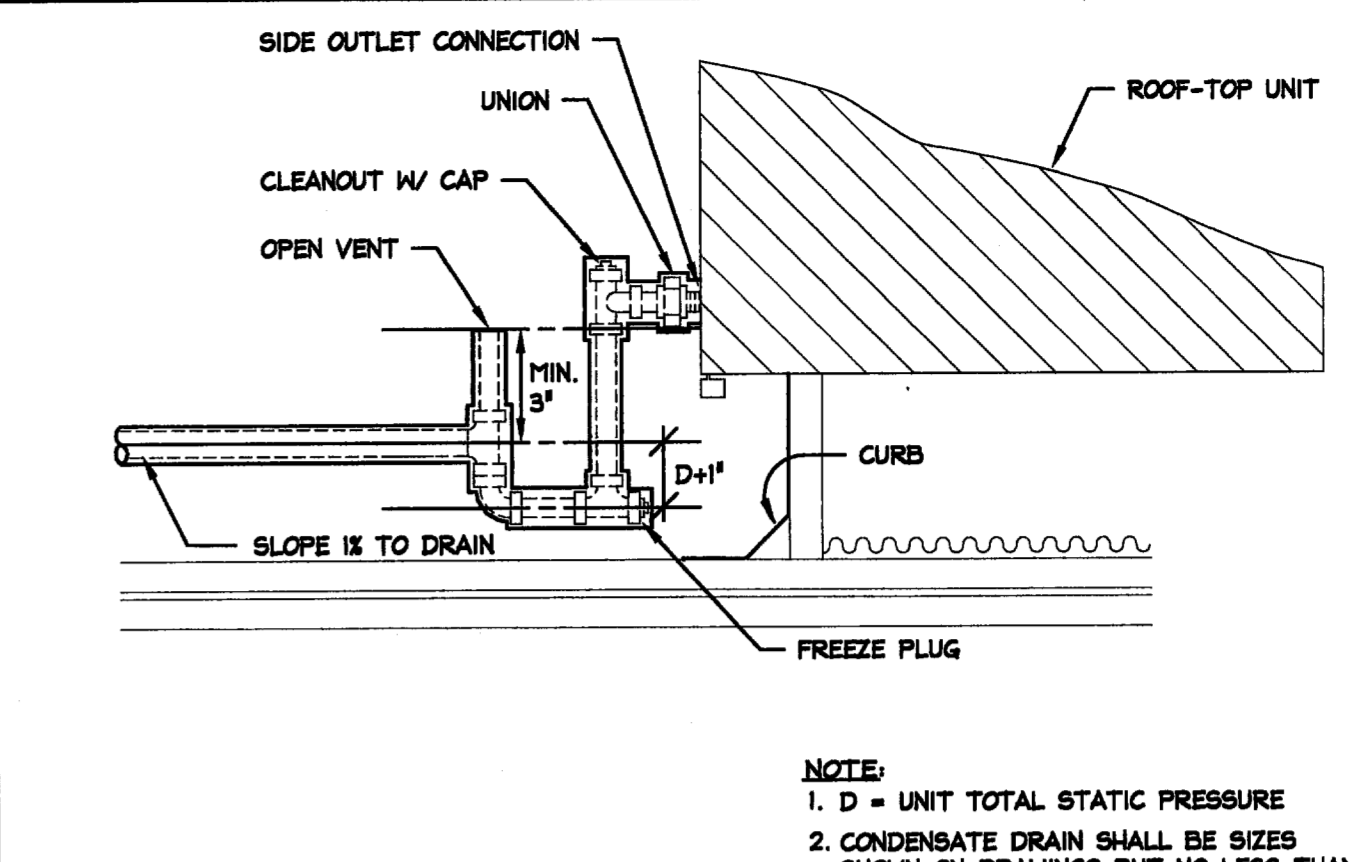
01 GAS COCK DETAIL SCALE: NTS



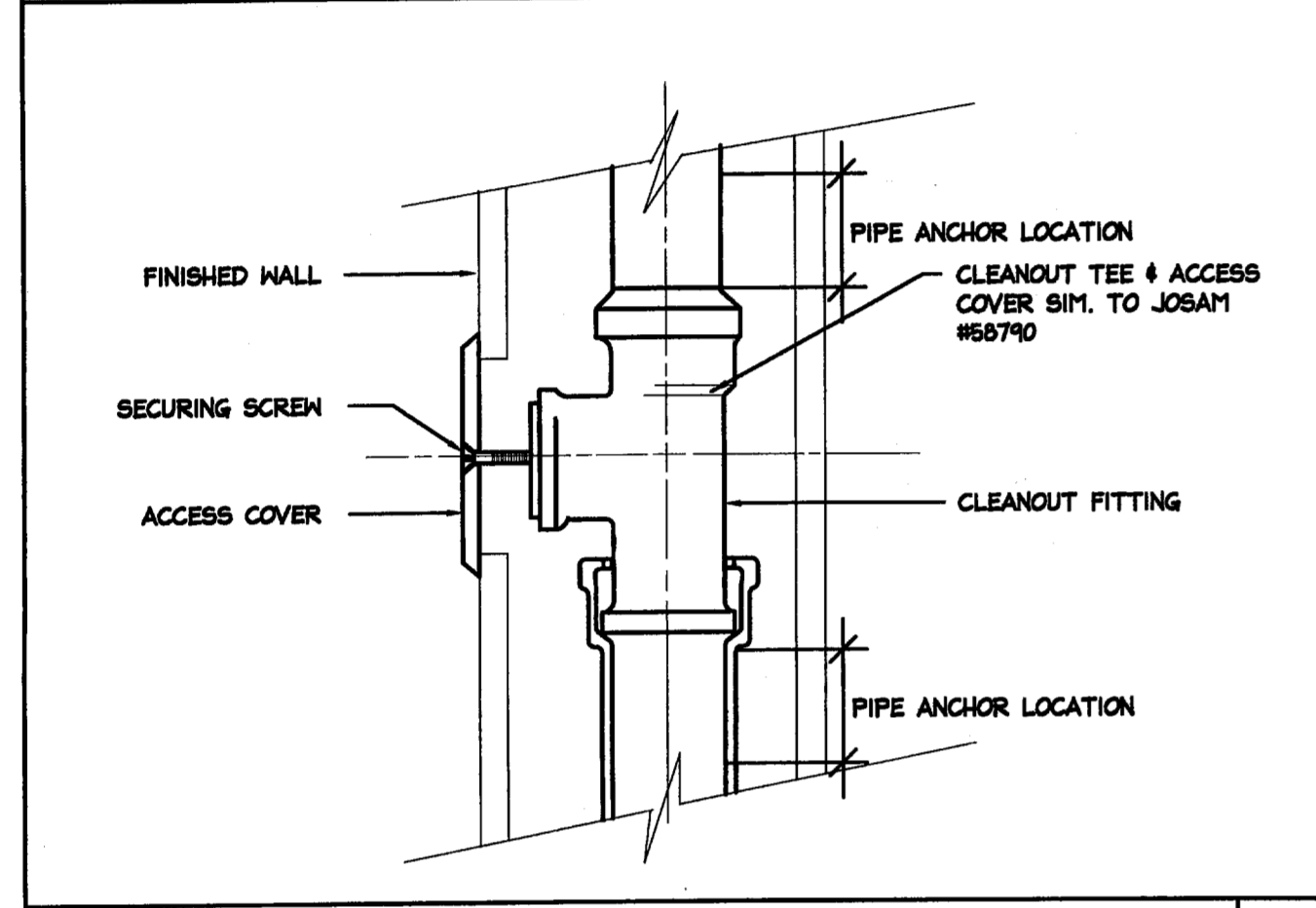
02 NOT USED SCALE: NTS



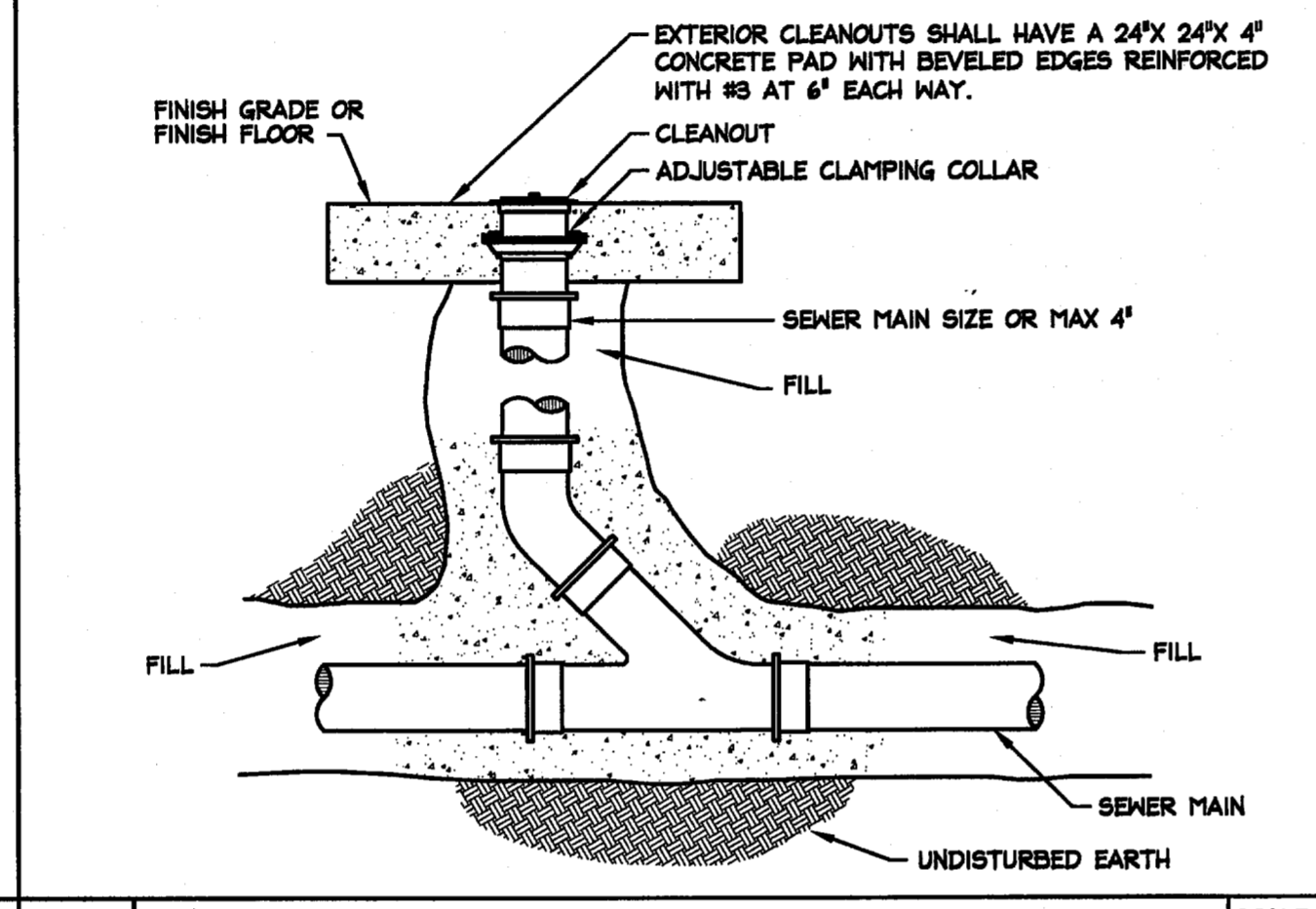
03 TRAP PRIMER DETAIL SCALE: NTS



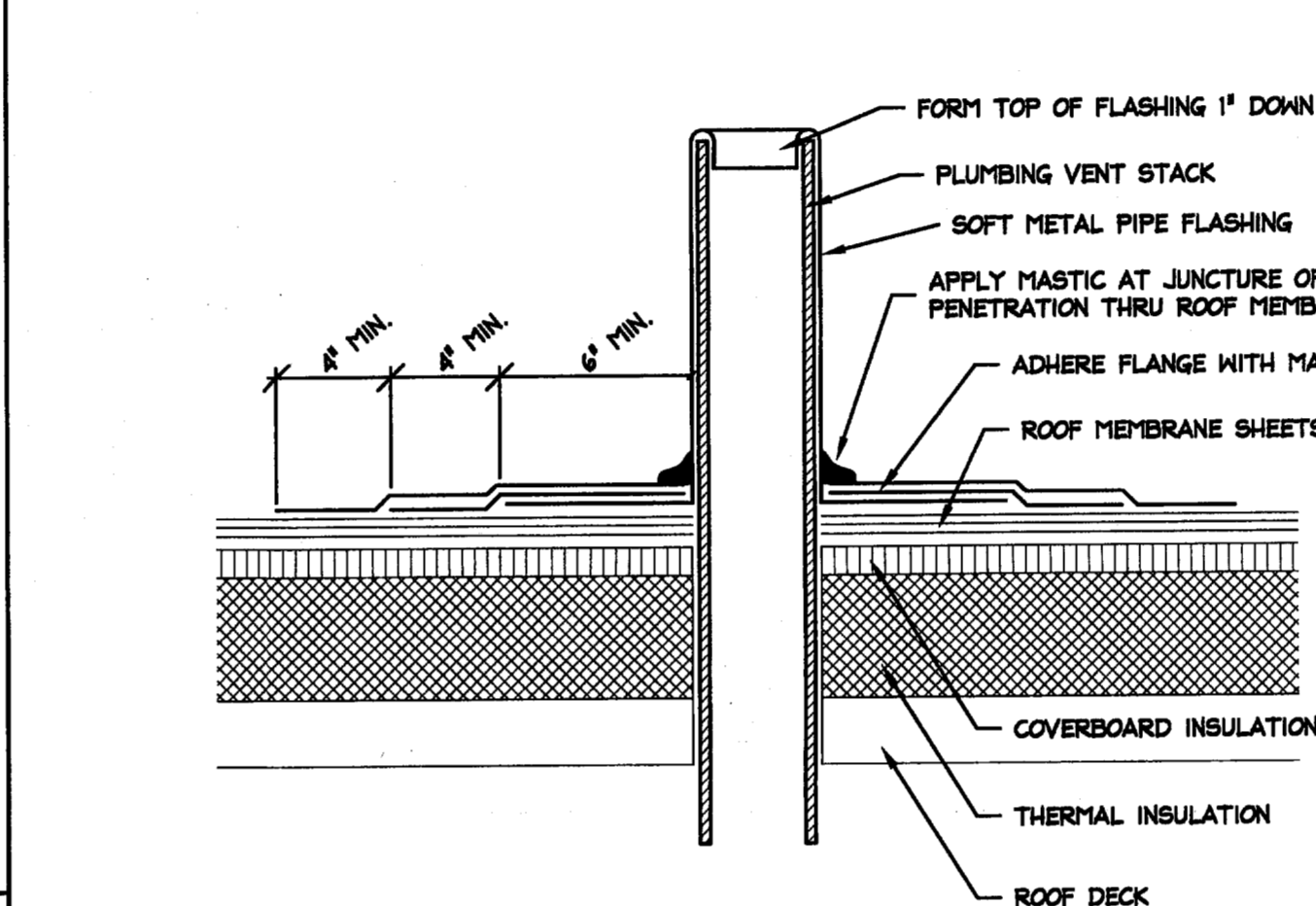
04 ROOFTOP UNIT CONDENSATE PIPING SCALE: NTS



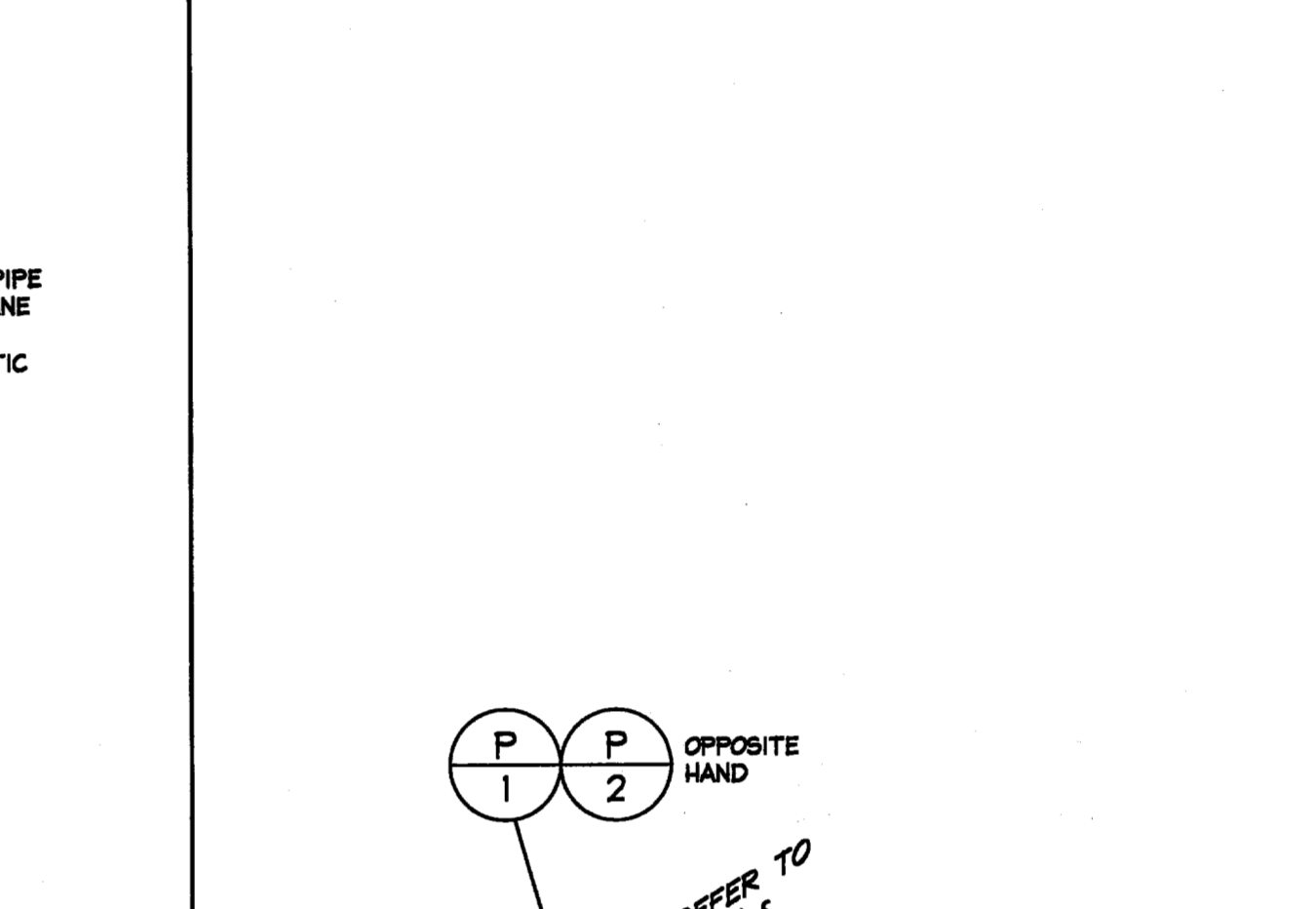
05 WALL CLEANOUT DETAIL SCALE: NTS



06 CLEANOUT SCALE: NTS



07 VENT THRU ROOF DETAIL SCALE: NTS



08 VENT THRU ROOF PLAN SCALE: NTS

PLUMBING FIXTURE SCHEDULE

DESIG.	DESCRIPTION	MANUFACTURER & MODEL NUMBER	SAN. SWR SIZE	VENT SIZE	COLD WTR SIZE	HOT WTR SIZE	ACCEPTABLE MANUFACTURERS	DESCRIPTION / REMARKS
WC-A	FLOOR MOUNTED TANK TYPE WATER CLOSET (ADA)	AMERICAN STANDARD OAKMONT CHAMPION 2788.014	4"	2"	1/2"	-	KOHLER, CRANE OR TOTO	FLOOR MOUNTED, 1.6 GPF NON-ADJUSTABLE PISTON ACTION ACCELERATOR FLUSH, ELONGATED BOWL, VITREOUS CHINA TANK TYPE WATER CLOSET WITH OLSONITE SOLID PLASTIC OPEN-FRONT SEAT WITH CHECK HINGE. COLOR: WHITE. 16 1/2" RIM HEIGHT. ROUGH-IN 18" FROM FINISHED WALL PER T.A.S.
WC-B	FLOOR MOUNTED TANK TYPE WATER CLOSET (ADA)	AMERICAN STANDARD OAKMONT CHAMPION 2788.014 (RIGHT MOUNTED FLUSH HANDLE)	4"	2"	1/2"	-	KOHLER, CRANE OR TOTO	FLOOR MOUNTED, 1.6 GPF NON-ADJUSTABLE PISTON ACTION ACCELERATOR FLUSH, ELONGATED BOWL, VITREOUS CHINA TANK TYPE WATER CLOSET WITH OLSONITE SOLID PLASTIC OPEN-FRONT SEAT WITH CHECK HINGE. COLOR: WHITE. 16 1/2" RIM HEIGHT. RIGHT-HAND MOUNTED FLUSH HANDLE. ROUGH-IN 18" FROM FINISHED WALL PER T.A.S.
U-A	WALL HUNG URINAL (ADA)	AMERICAN STANDARD WASHBROOK #6501.010 SLOAN ROYAL #186-1.0	2"	2"	3/4"	-	KOHLER, CRANE OR TOTO	WALL MOUNTED, 1.0 GPM WASHOUT FLUSH ACTION, FLUSHING RIM, 3/4 INCH TOP SPUD, 2 INCH FEMALE THREADED OUTLET, VITREOUS CHINA URINAL WITH TWO WALL HANGERS. FURNISH COMPLETE WITH SLOAN FLUSH VALVE AND JOSAM CAST IRON, FLOOR MOUNTED URINAL CARRIER WITH ADJUSTABLE SUPPORT PLATE.
L-A	COUNTERTOP LAVATORY DECK MOUNTED FAUCET W/ WRIST BLADE HANDLES (ADA)	AMERICAN STANDARD AQUALYN #0476.028 MOEN FAUCET #848	2"	2"	1/2"	1/2"	KOHLER, CRANE OR TOTO SPEAKMAN OR CHICAGO FAUCETS	VITREOUS CHINA FAUCET LEDGE, FRONT OVERFLOW, SELF-RIMMING COUNTERTOP LAVATORY WITH FAUCET HOLES ON 8" CENTERS. FURNISH COMPLETE WITH CHROME PLATED 1 1/2 INCH P-TRAP, KEYLESS ANGLE STOPS AND FLEXIBLE METAL SUPPLIES. FAUCET SHALL BE CAST BRASS, POLISHED CHROME PLATED FINISH, SINGLE HANDLE, GRID STRAINER - A.D.A. RATED VANDAL RESISTANT AERATOR (0.5 GPM).
S-A	DOUBLE COMPARTMENT STAINLESS STEEL SINK (ADA)	ELKAY LRAD3222 MOEN 8710	2"	2"	1/2"	1/2"	JUST OR GRIFFIN SPEAKMAN OR CHICAGO FAUCETS	DOUBLE COMPARTMENT, 18 GAUGE, TYPE 304 NICKEL BEARING STAINLESS STEEL, SELF RIMMING SINK WITH FAUCET HOLES ON 8" CENTERS 39 1/2" x 22 1/2" x 12 1/2". UNDERSIDE OF SINK IS FULLY UNDERCOATED. FURNISH COMPLETE WITH CHROME PLATED 1 1/2 INCH P-TRAP, KEYLESS ANGLE STOPS AND FLEXIBLE METAL SUPPLIES. FAUCET SHALL BE HEAVY DUTY CAST BRASS, POLISHED CHROME PLATED FINISH, SHIVEL SPOUT, INDEXED SINGLE HANDLE AND VANDAL RESISTANT AERATOR (2.2 GPM). PROVIDE ELKAY 'LK-35' STRAINER.
FD-A	FLOOR DRAIN (RESTROOMS AND EXPOSED AREAS)	JOSAM #30000-A-50-92-VP	3"	2"	1/2"	-	WADE, MI-FAB OR J.R.SMITH	CAST IRON FLOOR DRAIN, TWO PIECE BODY WITH DOUBLE DRAINAGE FLANGE, INVERTIBLE NON-PUNCTURING FLASHING COLLAR, WEEPHOLES, BOTTOM OUTLET AND ADJUSTABLE SATIN NIKALOY STRAINER, 1/2" TRAP PRIMER CONNECTION AND SECURED GRATE WITH VANDAL-PROOF SCREWS.
WCO	WALL CLEANOUT	JOSAM #58600-PLG-COT-VP	-	-	-	-	WADE, MI-FAB OR J.R.SMITH	ROUND STAINLESS STEEL WALL ACCESS COVER WITH VANDAL PROOF CENTER SCREW, CAST IRON NO-HUB CLEANOUT TEE WITH RECESSED BRONZE TAPPED PLUG.
FCO	INTERIOR FLOOR CLEANOUT	JOSAM #57000-22-VP	-	-	-	-	WADE, MI-FAB OR J.R.SMITH	COATED CAST IRON, LEVELIZE FLOOR CLEANOUT, TAPER THREADED BRONZE CLEANOUT PLUG AND ADJUSTABLE ABS HOUSING WITH MEDIUM DUTY SCORRIATED SECURED ROUND SATIN NIKALOY TOP WITH VANDAL-PROOF SCREWS. CONTRACTOR SHALL SELECT CLEANOUT COVER FOR FLOOR COVERING USED. REFER TO ARCHITECTURAL DRAWINGS FOR FLOOR COVERINGS.

- NOTES:
- WALL HUNG PLUMBING FIXTURES SHALL BE SUPPORTED USING ADJUSTABLE CONCEALED ARM FLOOR MOUNTED SUPPORTS WITH RECTANGULAR STRUCTURAL STEEL UPRIGHTS UTILIZING HEAVY-DUTY CAST-IRON FEET BOLTED TO THE FLOOR AND CAST IRON SUPPORT HEADERS.
 - CONTRACTOR SHALL REFER TO ARCHITECTURAL DRAWINGS FOR MOUNTING HEIGHTS AND LOCATIONS OF ALL PLUMBING FIXTURES INCLUDING HANDICAPPED (ADA) FIXTURES. CONTRACTOR SHALL COORDINATE ADA REQUIREMENTS WITH ARCHITECT PRIOR TO INSTALLATION OF PLUMBING FIXTURES.
 - CONTRACTOR SHALL PROVIDE FLEXIBLE MOLDED INSULATION SIMILAR TO TREBRO 'LAV GUARD' ON P-TRAPS, WATER SUPPLIES AND VALVES SERVING ADA PLUMBING FIXTURES. CONTRACTOR SHALL PROVIDE OFFSET P-TRAPS ON ADA FIXTURES.
 - CONTRACTOR SHALL INSTALL ALL PLUMBING FIXTURES SHOWN ON THE ARCHITECTURAL, PLUMBING AND OWNER FURNISHED DRAWINGS.
 - CONTRACTOR SHALL FURNISH AND INSTALL ON EACH PLUMBING FIXTURE CHROME PLATED BRASS P-TRAP, NIPPLES WITH ESCUTCHEON, CHROME PLATED BRASS ANGLE SUPPLIES WITH ALL METAL CONSTRUCTION CHROME PLATED FLEXIBLE BRASS RISERS WITH NIPPLES AND CHROME PLATED BRASS ESCUTCHEONS WITH CAST SET SCREW.
 - CONTRACTOR SHALL PROVIDE ALL NECESSARY FITTINGS, PIPING, SUPPORTS, ETC. TO INSTALL EACH PLUMBING FIXTURE PER MANUFACTURER'S INSTALLATION INSTRUCTIONS AND TO COMPLY WITH CITY, STATE, ADA CODES AND STANDARDS.

The seal on this document was authorized by Samuel G. Toub, P.E. 36988 on the date shown below.

2009.02.09
 14:17:03
 -06'00'

Samuel G. Toub

Project # 3988
S. Toub & Associates Inc.
 Consulting Engineer Mechanical / Electrical
 13841 Omega Road, Dallas, Texas 75244
 972.386-6600
 © COPYRIGHT 2008

JANI KING CALL CENTER
 4393 SUNBELT DRIVE
 ADDISON, TEXAS

PROJECT NUMBER: 2009050
 DATE: FEBRUARY 9, 2009
 SHEET NAME: SCHEDULES & DETAILS PLUMBING
 SHEET: P3.01