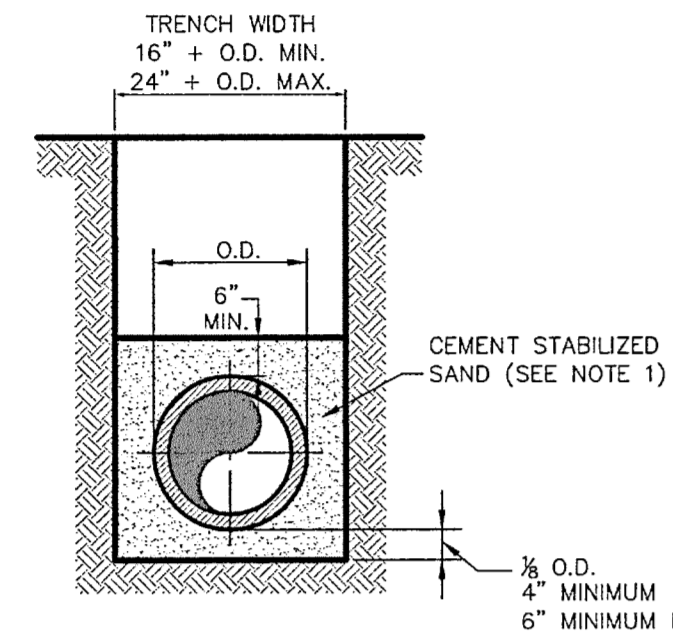


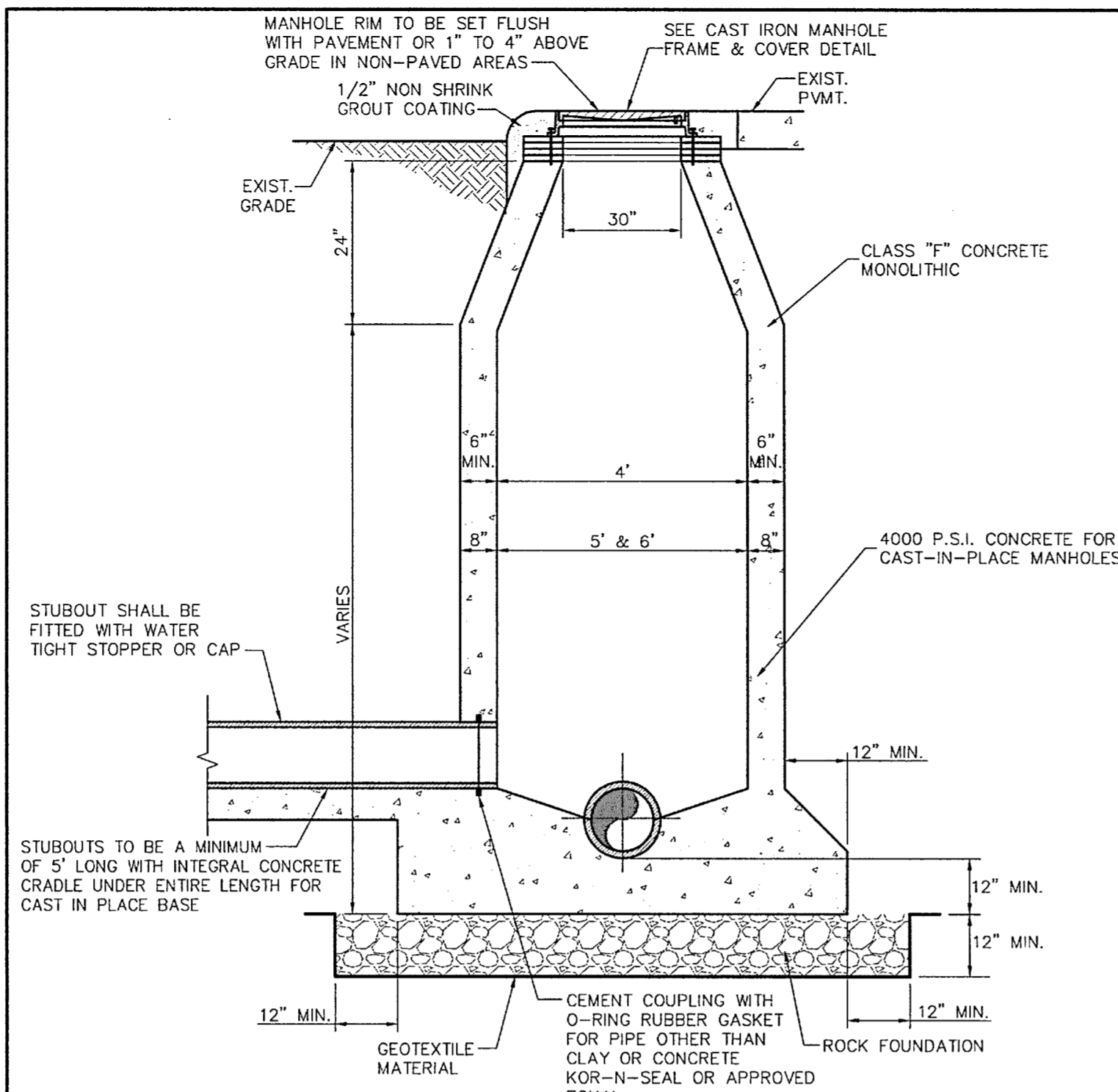
TYPICAL P.V.C. WASTEWATER MAIN EMBEDMENT



P.V.C. WASTEWATER MAIN CEMENT STABILIZED SAND EMBEDMENT

NOTE:  
1. CEMENT STABILIZED SAND SHALL HAVE A MINIMUM OF 10% CEMENT PER CUBIC YARD OF CEMENT STABILIZED SAND MIXTURE, BASED ON LOOSE DRY WEIGHT VOLUME (AT LEAST 2.5 BAGS OF CEMENT PER CUBIC YARD OF MIXTURE). THE USE OF BROWN COLORING IN CEMENT STABILIZED SAND IS REQUIRED FOR PRESSURE RATED WASTEWATER MAIN AND LATERAL BEDDING.

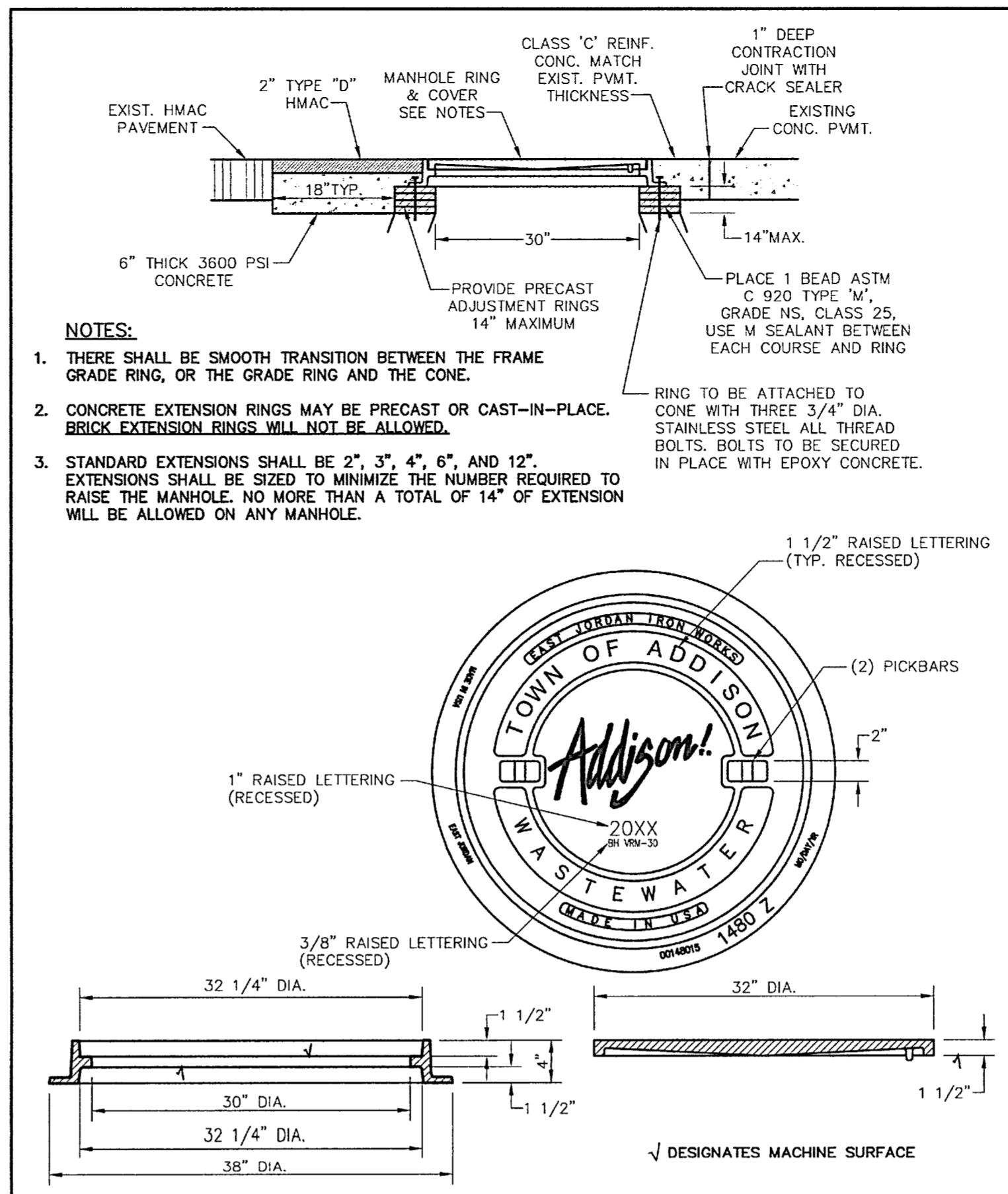
 PUBLIC WORKS DEPARTMENT	P.V.C. WASTEWATER MAIN EMBEDMENT	STANDARD CONSTRUCTION DETAILS WASTEWATER		
		DATE: AUGUST, 2010	REV DATE: -	SHEET: SD-WW01



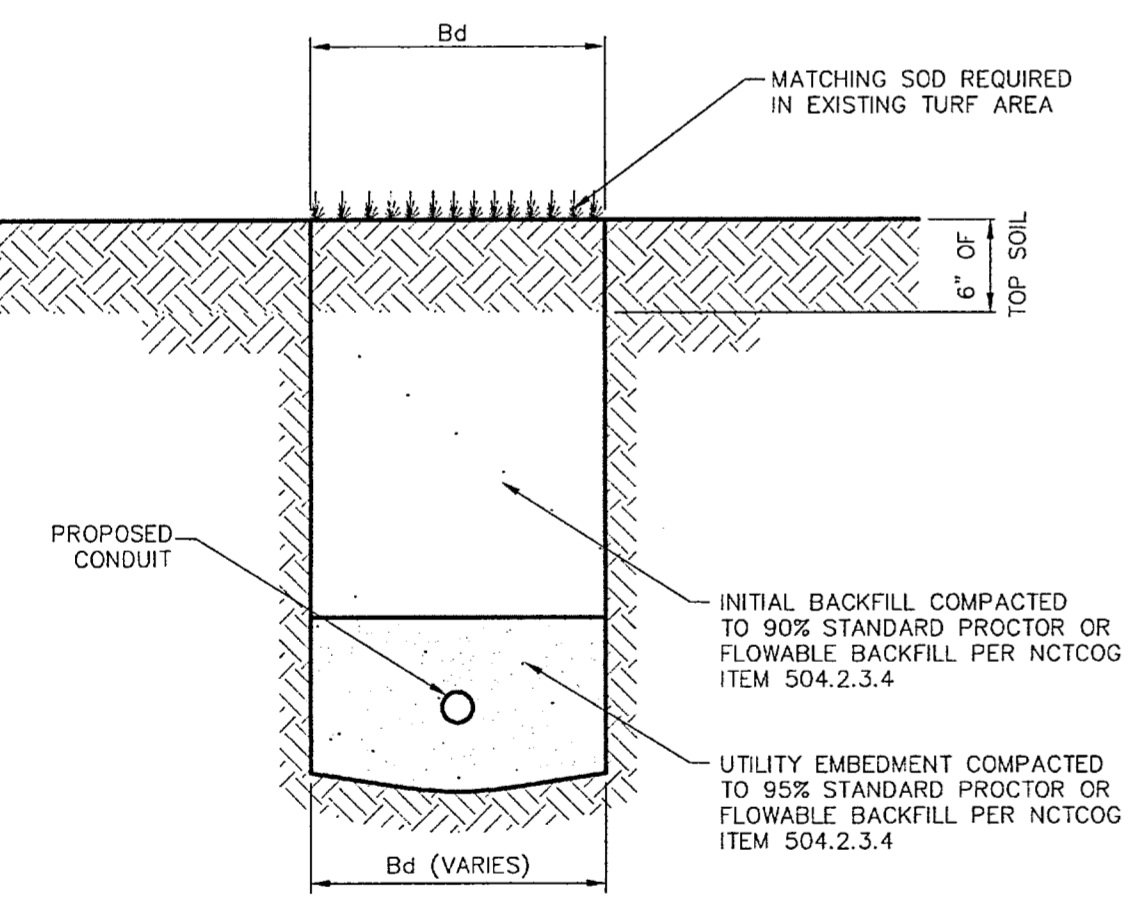
NOTES:  
1. IF FALSE MANHOLE BOTTOMS ARE REQUIRED, THEY SHALL BE CONSTRUCTED, INSTALLED, AND REMOVED PER WASTEWATER MANHOLE FALSE BOTTOM STD. DETAIL.  
2. WHERE MANHOLE'S ARE OUTSIDE OF PAVEMENT, FRAME & COVER SHALL BE CENTERED IN 5'x5' CONCRETE PAD CLASS 'A' CONCRETE, 4" THICK  
3. ALL MANHOLES SHALL PASS VACUUM TEST AS PER NCTCOG SPECIFICATIONS

CAST-IN-PLACE NOTES:  
1. KEYWAYS REQUIRED FOR ALL CONSTRUCTION JOINTS.  
2. P.V.C. WATER STOP REQUIRED FOR ALL JOINTS IN LOWER 4'-0" OF MANHOLES  
3. CONCRETE SHALL BE 4000 P.S.I.

 PUBLIC WORKS DEPARTMENT	CAST-IN-PLACE MANHOLE	STANDARD CONSTRUCTION DETAILS WASTEWATER		
		DATE: AUGUST, 2010	REV DATE: -	SHEET: SD-WW04



 PUBLIC WORKS DEPARTMENT	CAST IRON MANHOLE FRAME AND COVER	STANDARD CONSTRUCTION DETAILS WASTEWATER		
		DATE: AUGUST, 2010	REV DATE: -	SHEET: SD-WW11

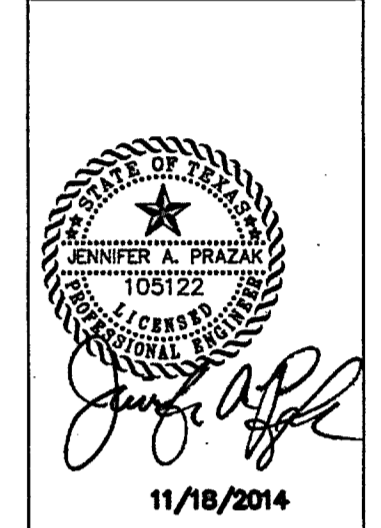


NOTES:  
1. ALL DISTURBED AREAS SHALL BE SODDED (UNLESS OTHERWISE APPROVED).  
2. BACKFILL AND EMBEDMENT PARTICLE SIZE SHALL NOT EXCEED 3" ANY DIRECTION.

UTILITY INSTALLATION WITHIN TURF AREAS

 PUBLIC WORKS DEPARTMENT	UTILITY INSTALLATION WITHIN TURF AREAS	STANDARD CONSTRUCTION DETAILS UTILITIES TRENCHLINE & STREET RESTORATION		
		DATE: AUGUST, 2010	REV DATE: -	SHEET: SD-U04

NO.	DATE	COMMENT



**CobbFendley**  
 TBPES Firm Registration No. 274  
 TBPES Firm Registration No. 100467  
 6801 Gaylord Parkway, Suite 302  
 Frisco, Texas 75034  
 972.335.3214 | fax 972.335.3202 | www.cobbendley.com

TOWN OF ADDISON  
 4301 SUNBELT SANITARY SEWER EXTENSION  
 SEWER DETAILS  
 PLAN & PROFILE

SCALE: N.T.S.	DATE: 11/18/2014	DESIGN BY: JP	SHEET NO.: C3.0 of 04	JOB NUMBER: 1412-039-07 (04)
CONTRACTOR: Wilson Contractor Services	CONSTRUCTION INSPECTOR: Town of Addison	DATE: 11/18/2014	DATE: 11/18/2014	DATE: 11/18/2014

**RECORD DRAWING**  
 Date: 04/07/15  
 Construction Inspector: Town of Addison  
 Contractor: Wilson Contractor Services  
 This drawing reflects the construction work of this project according to available information furnished to the Engineer during the progress of the construction.

**RECORD DRAWINGS**  
 THESE RECORD DRAWINGS HAVE BEEN PREPARED BASED ON INFORMATION PROVIDED BY OTHERS. THE ENGINEER HAS NOT VERIFIED THE ACCURACY OF THIS INFORMATION AND SHALL NOT BE RESPONSIBLE FOR ANY ERRORS OR OMISSIONS WHICH MAY BE INCORPORATED HEREIN AS A RESULT.  
 COBB, FENDLEY & ASSOCIATES, INC.  
 By: Date: 11/18/14

SEWER DETAILS  
**C3.0**