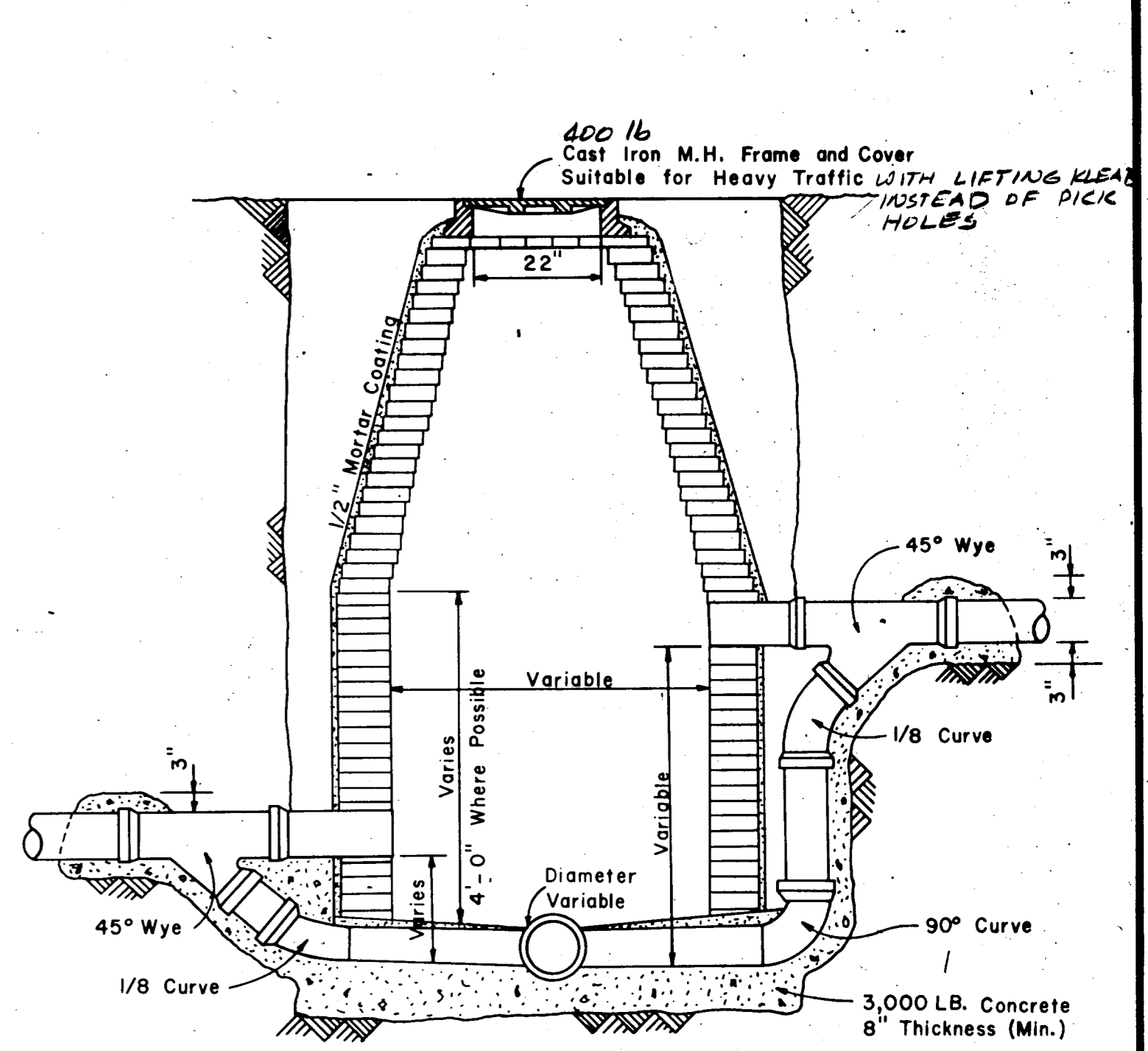
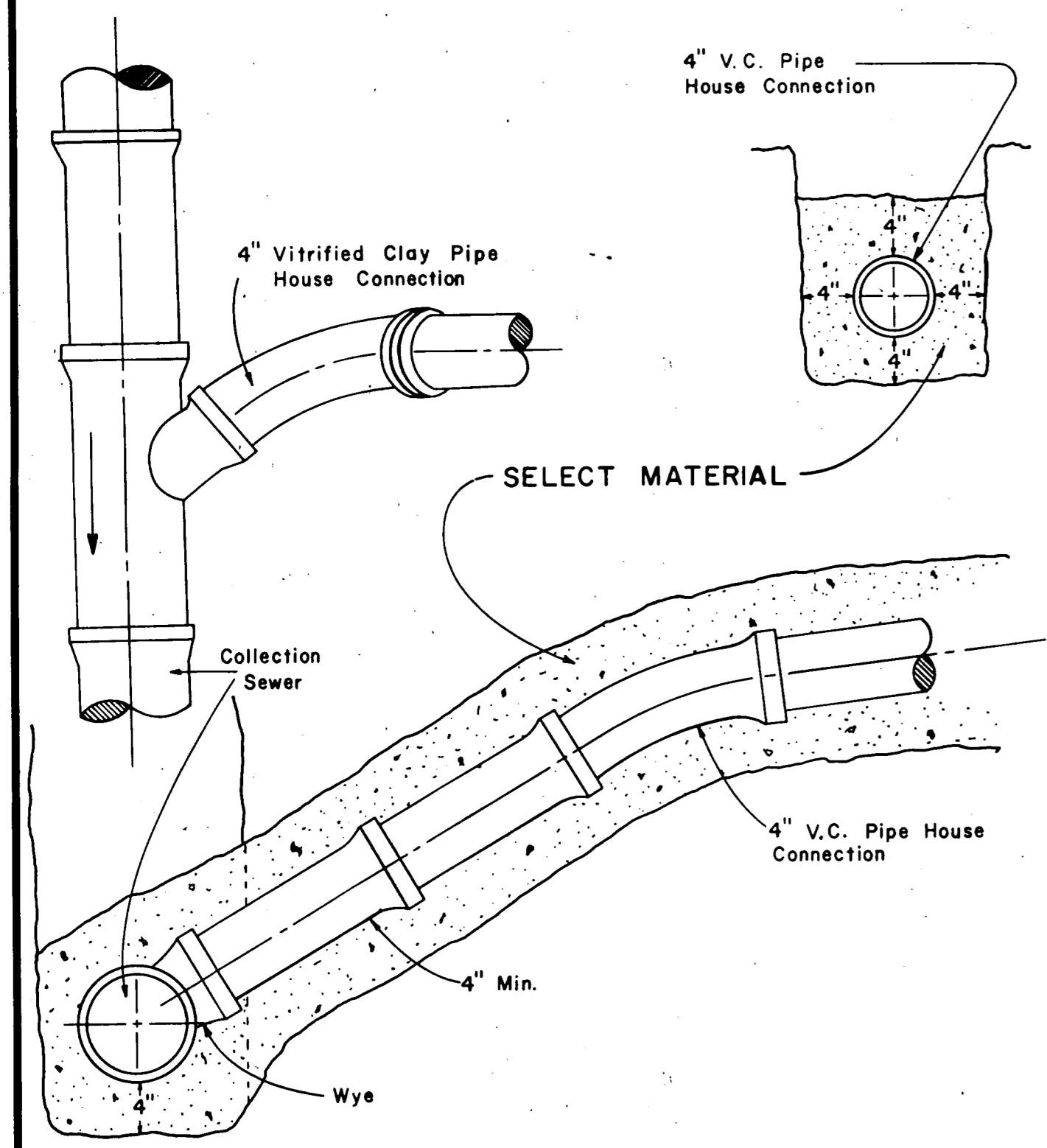


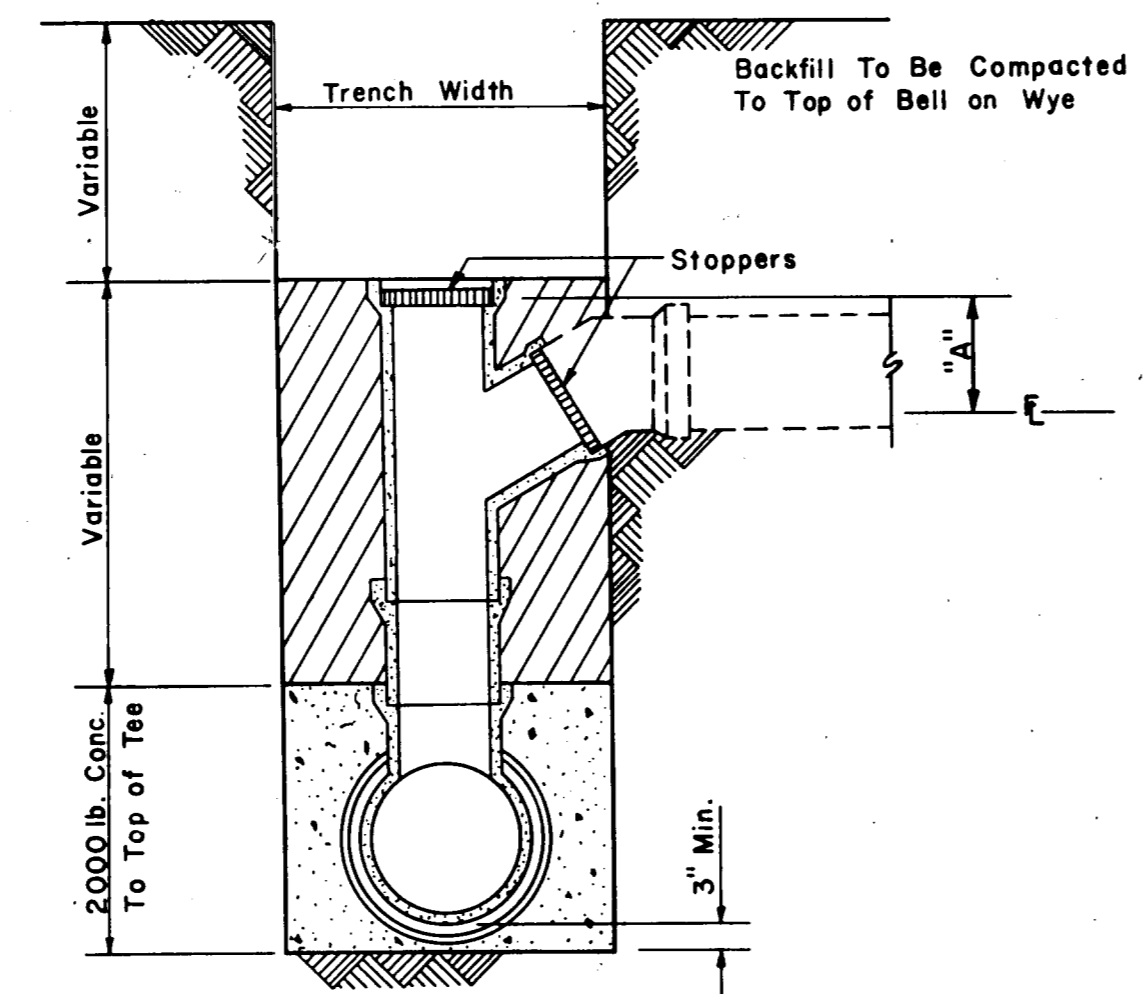
**CONCRETE PIPE MANHOLE**  
N.T.S.



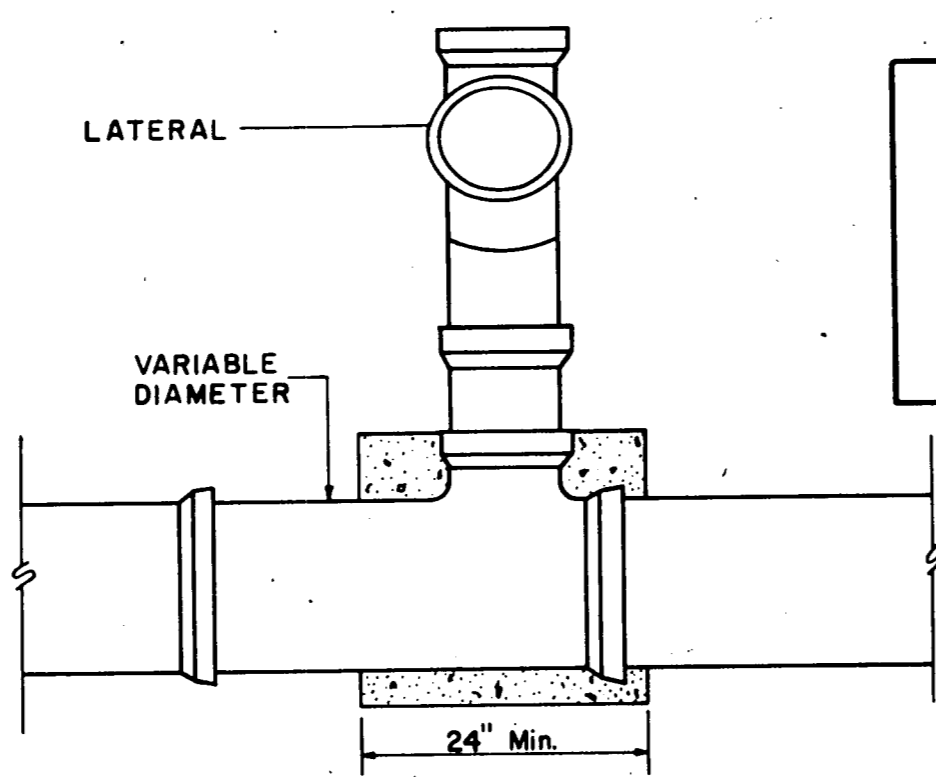
**STANDARD DROP CONNECTION MANHOLE**  
N.T.S.  
NOTE (USE CONC. PIPE M.H.)



**TYPICAL SEWER HOUSE SERVICE CONNECTION**  
N.T.S.



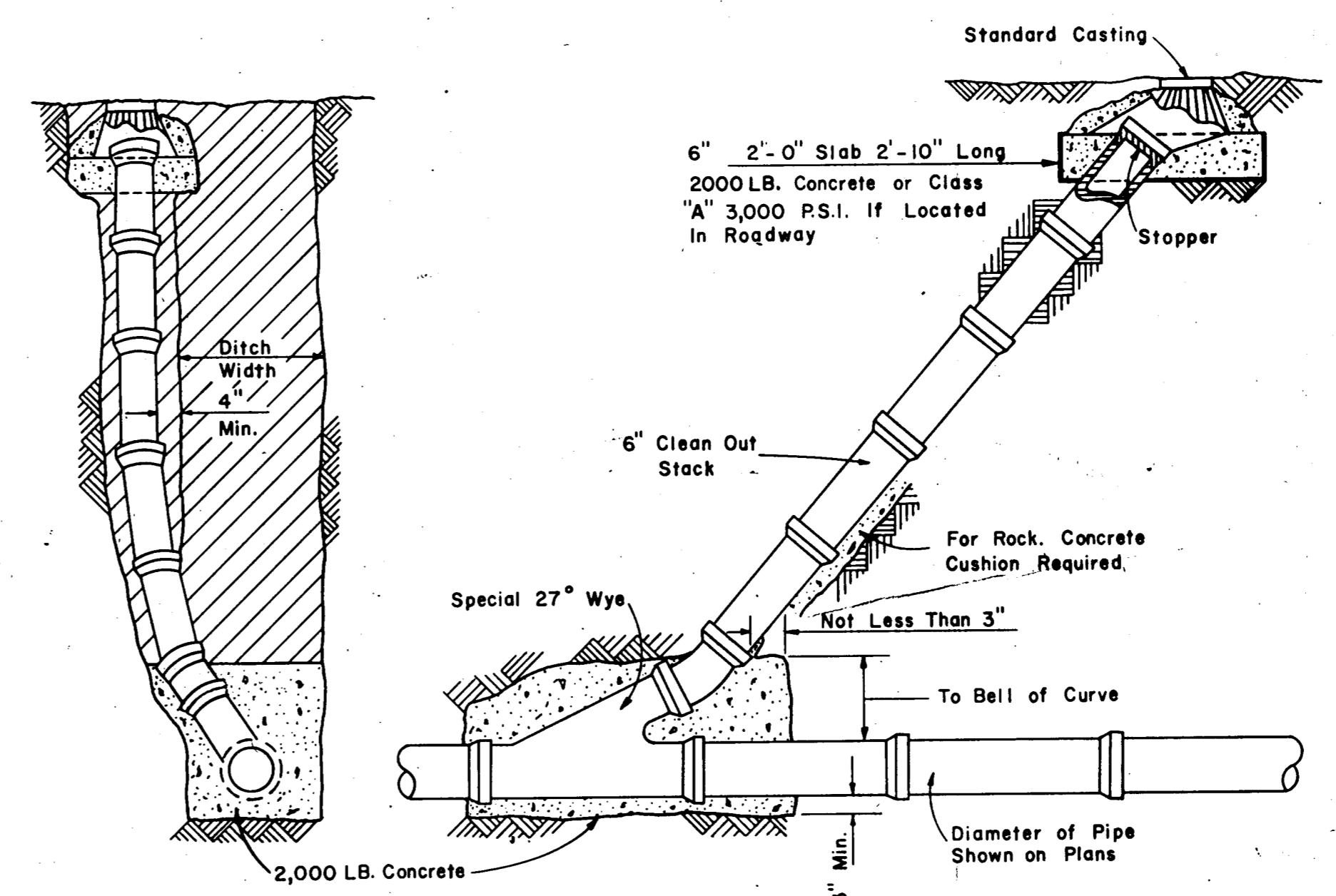
**END ELEVATION**



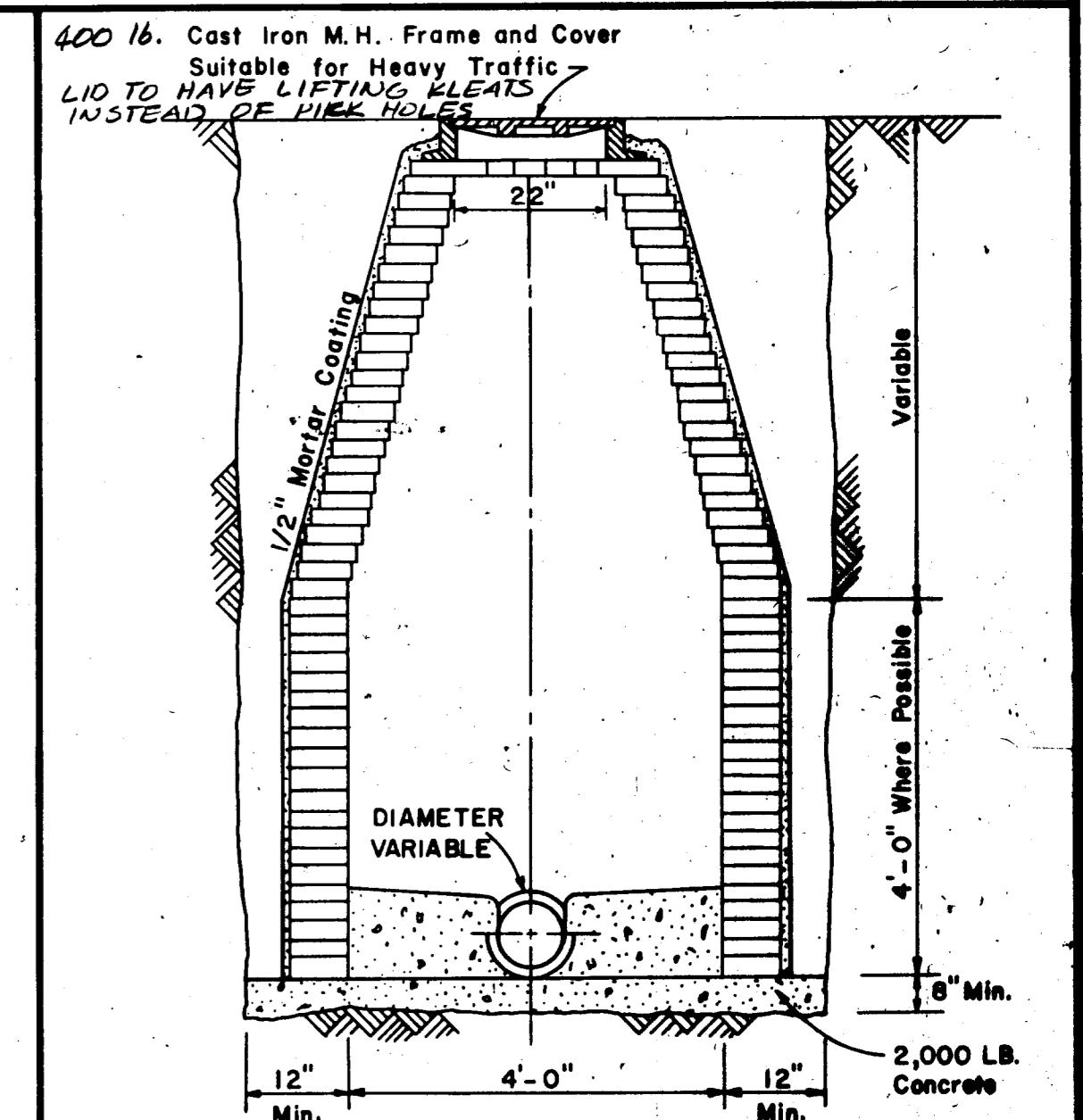
**DROP CONNECTION DETAIL**  
N.T.S.

Note:

Lateral Size	"A"
6"	5 3/8"
8"	8 1/2"
10"	10 3/4"
12"	12 7/8"



**STANDARD CLEANOUT**  
N.T.S.



**STANDARD MANHOLE**  
N.T.S.  
NOTE: (USE CONC. PIPE M.H.)

N.O.	REVISION	BY	DATE
CITY OF ARLINGTON, TEXAS			
SUNBELT BUSINESS PARK			
DRAWN BY: G.W.		BY: F.B.C.	
CHECKED BY: R.F.		BY: A.L.D.	
		DA	
		SHEET	
		15972-W	

AS BUILT  
9-15-78