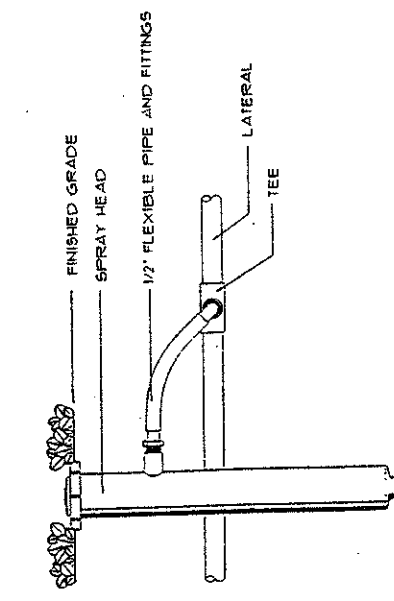
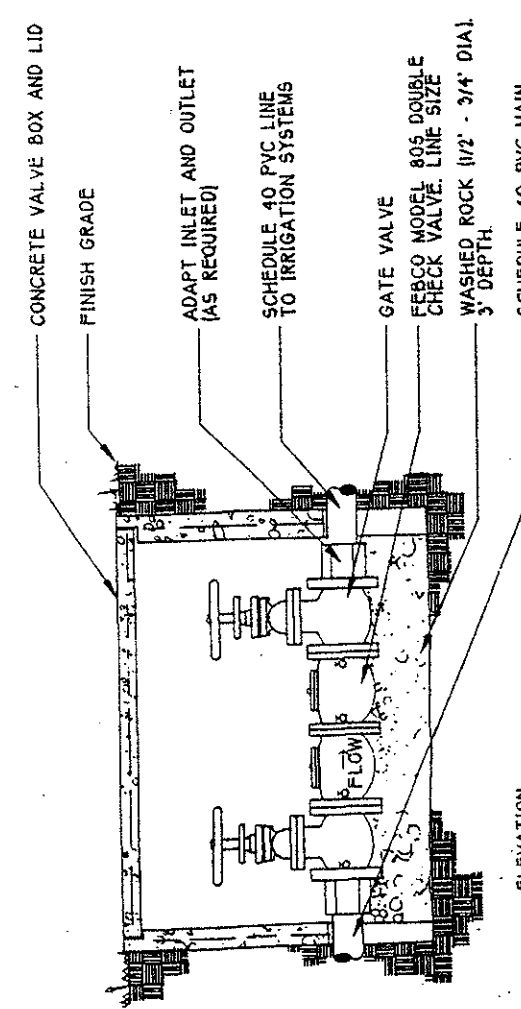


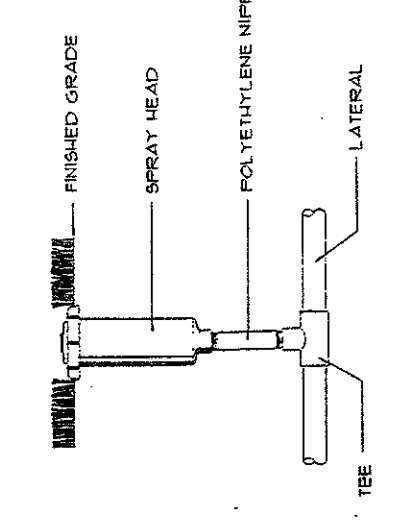
AS-BUILT



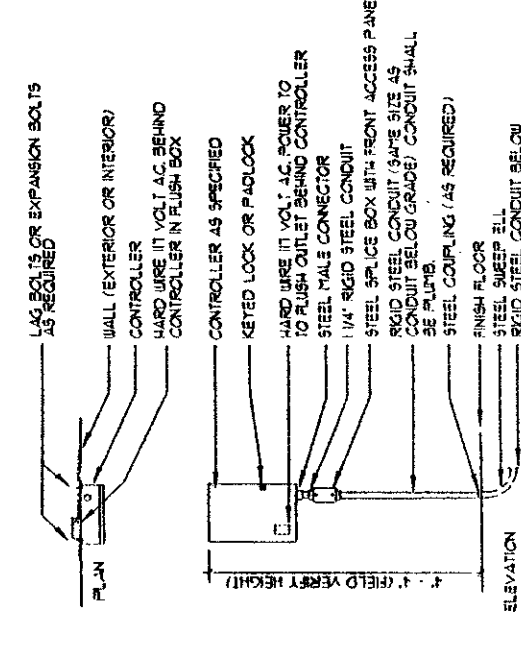
7' POP-UP SPRUB HEAD NOT TO SCALE



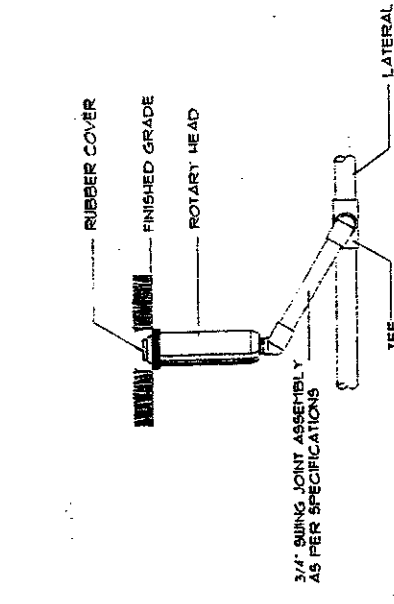
BACKFLOW PREVENTER NOT TO SCALE



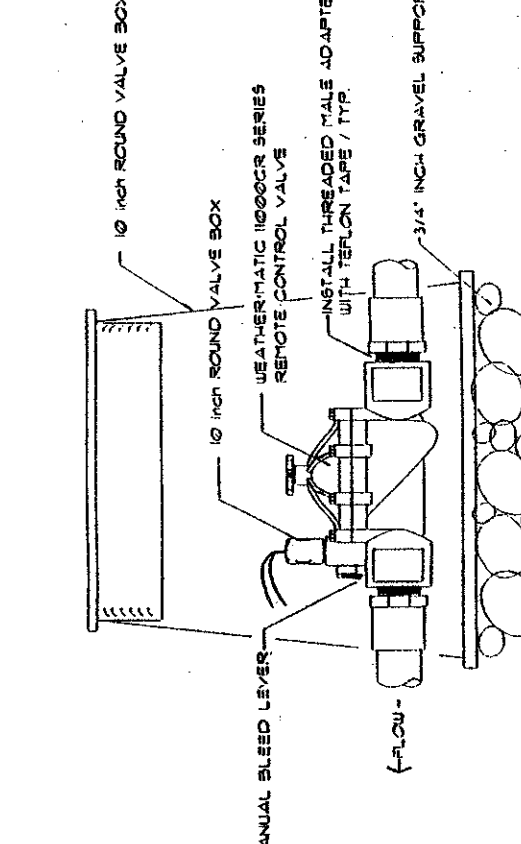
4' POP-UP LAWN HEAD NOT TO SCALE



WALL MOUNT CONTROLLER NOT TO SCALE



ROTARY HEAD NOT TO SCALE

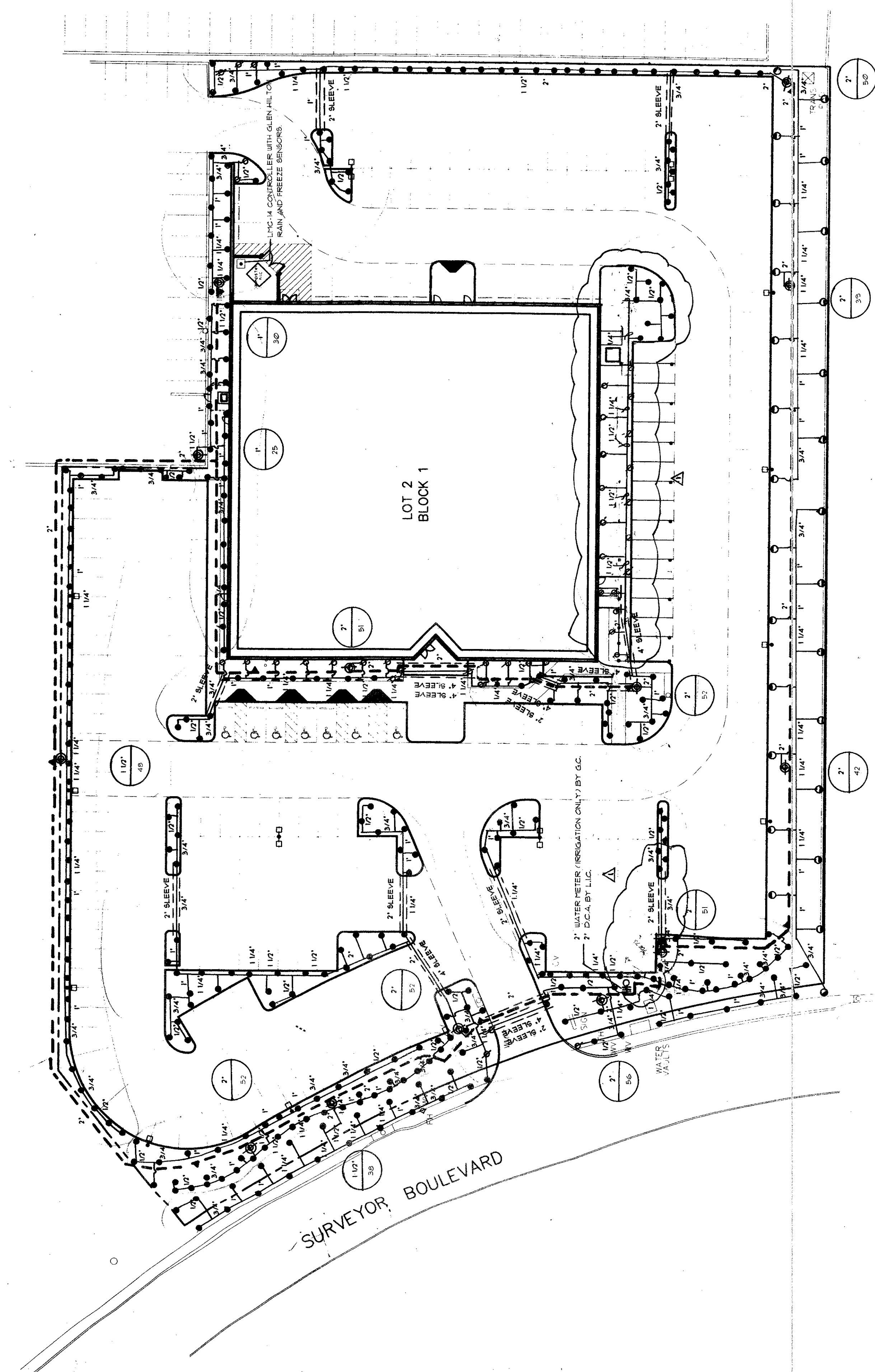
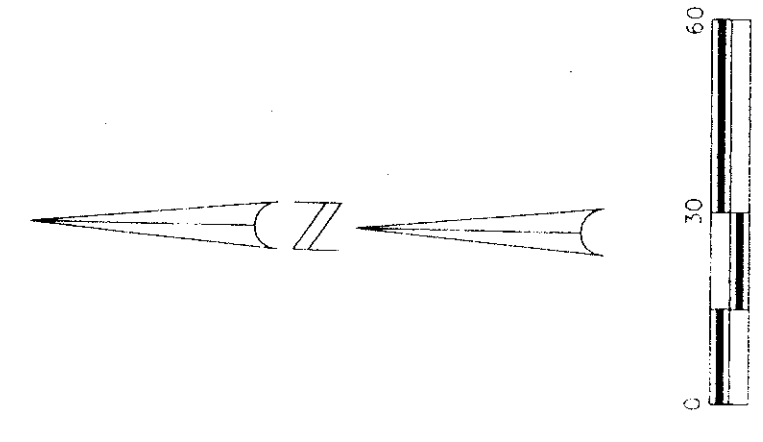


ELECTRIC CONTROL VALVE NOT TO SCALE

- IRRIGATION LEGEND**
- WEATHERMATIC 3/4" POP-UP LAWN HEAD
 - WEATHERMATIC 3/4" POP-UP SPRUB HEAD
 - WEATHERMATIC 1/2" BUBBLER HEAD
 - WEATHERMATIC TURBO 3/4" NOZZLE
 - WEATHERMATIC TURBO 1/2" NOZZLE
 - WEATHERMATIC 1/2" SERIES ELECTRIC VALVE
 - WEATHERMATIC 1/2" SERIES QUICK COUPLER
 - CONTROLLER SIZE AS INDICATED
 - WATER METER SIZE AS INDICATED
 - FETCO 800Y DOUBLECHECK ASSEMBLY SIZE AS INDICATED
 - PVC CLASS 300 LATERAL LINE
 - PVC CLASS 300 THINLINE
 - PVC SCHEDULE 40 SLEEVING
 - VALVE SIZE

IRRIGATION NOTES

1. All irrigation equipment numbers reference the manufacturer equipment catalog.
2. Lateral pipe shall be installed as per detail shown.
3. Sizable spray heads are to be installed as per detail shown.
4. ELECTRIC CONTROL VALVES shall be installed as per detail shown. Size valves as shown on plans. Valves shall be installed in valve boxes large enough to allow for maintenance. Valves shall be installed in valve boxes with an earth enclosure.
5. Sizing shall be conducted using the manufacturer's catalog. Sizing shall be conducted using the manufacturer's catalog.
6. AUTOMATIC CONTROLLER shall be installed at location shown. Power location shall be indicated on plans.
7. All 1/2" valves shall be 1/2" or 1/4" high connection. All size valves are to be installed as shown on plans.
8. SIZES shall be indicated on plans.
9. The design of the system shall be the responsibility of the contractor. The contractor shall be responsible for the proper installation of the system with the manufacturer's instructions. The contractor shall be responsible for the proper installation of the system with the manufacturer's instructions.
10. The irrigation contractor shall select the proper arc and radius for each nozzle.
11. The irrigation contractor shall select the proper arc and radius for each nozzle.
12. The irrigation contractor shall select the proper arc and radius for each nozzle.



THE CLOUDS REFLECT REVISION #1