

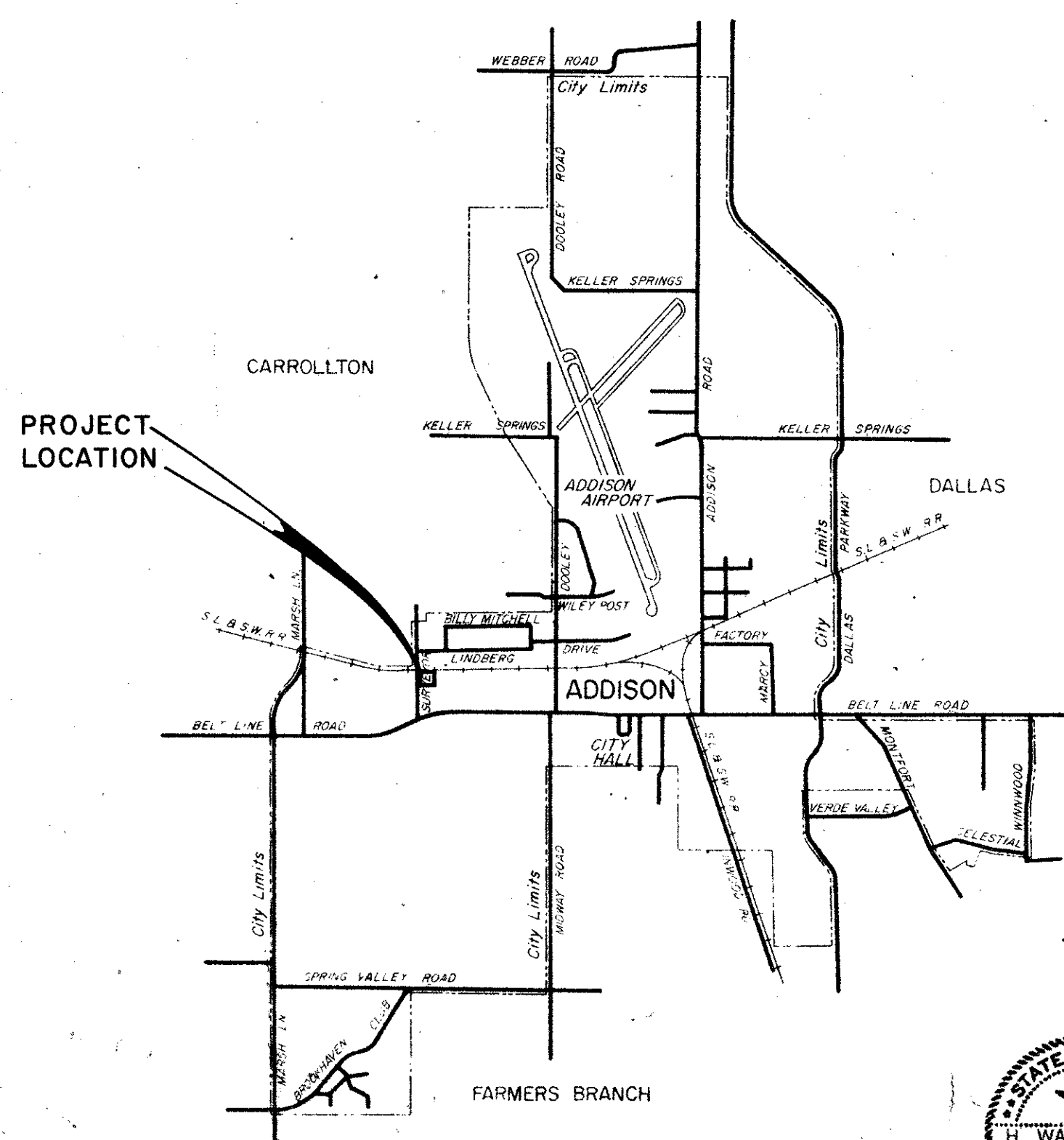
CITY OF ADDISON DALLAS COUNTY, TEXAS

CONSTRUCTION PLANS FOR:

RATE OF FLOW CONTROLLER

INDEX TO DRAWINGS

| <u>TITLE</u> | <u>SHEET</u> |
|-----------------------|--------------|
| PLAN AND DETAILS | 2 |
| MISCELLANEOUS DETAILS | 3 |
| ACCESS ROAD | 4 |
| ELECTRICAL | 5 |
| ELECTRICAL | 6 |

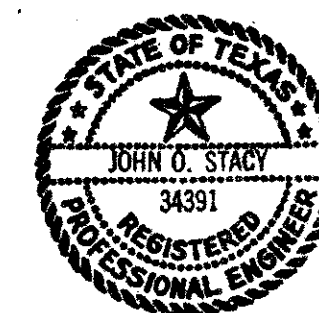
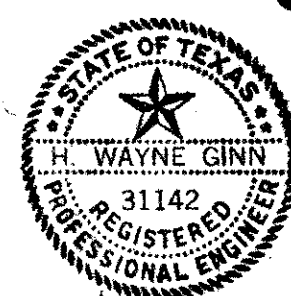


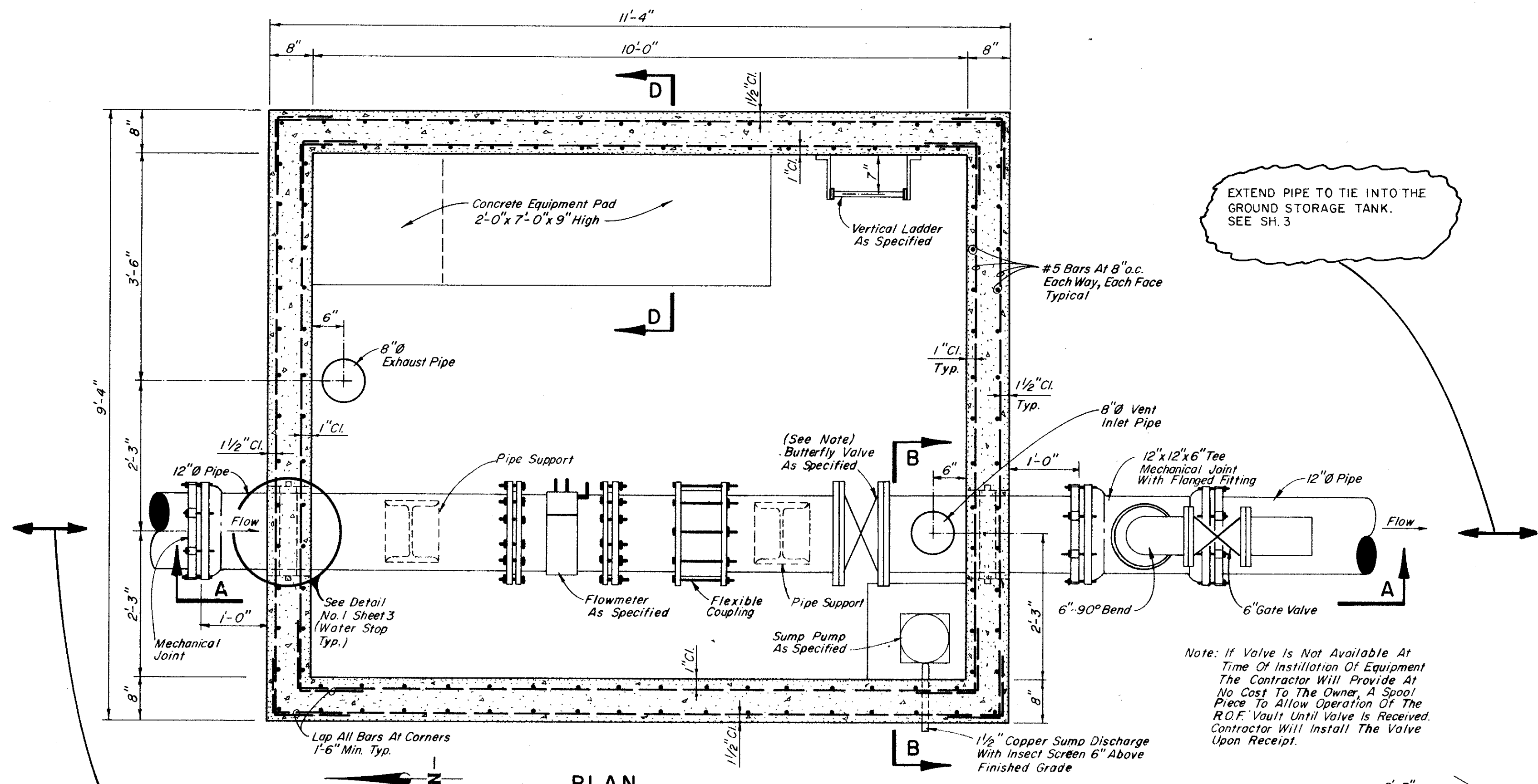
JERRY J. REDDING - MAYOR
COUNCILMEN:

JOHN B. ALLEN
RICHARD RODER
WILLIAM F. SELLMAYER
A. E. MARCY
TERRY ROBERTS

J. MILLIGAN **CITY ADMINISTRATOR**

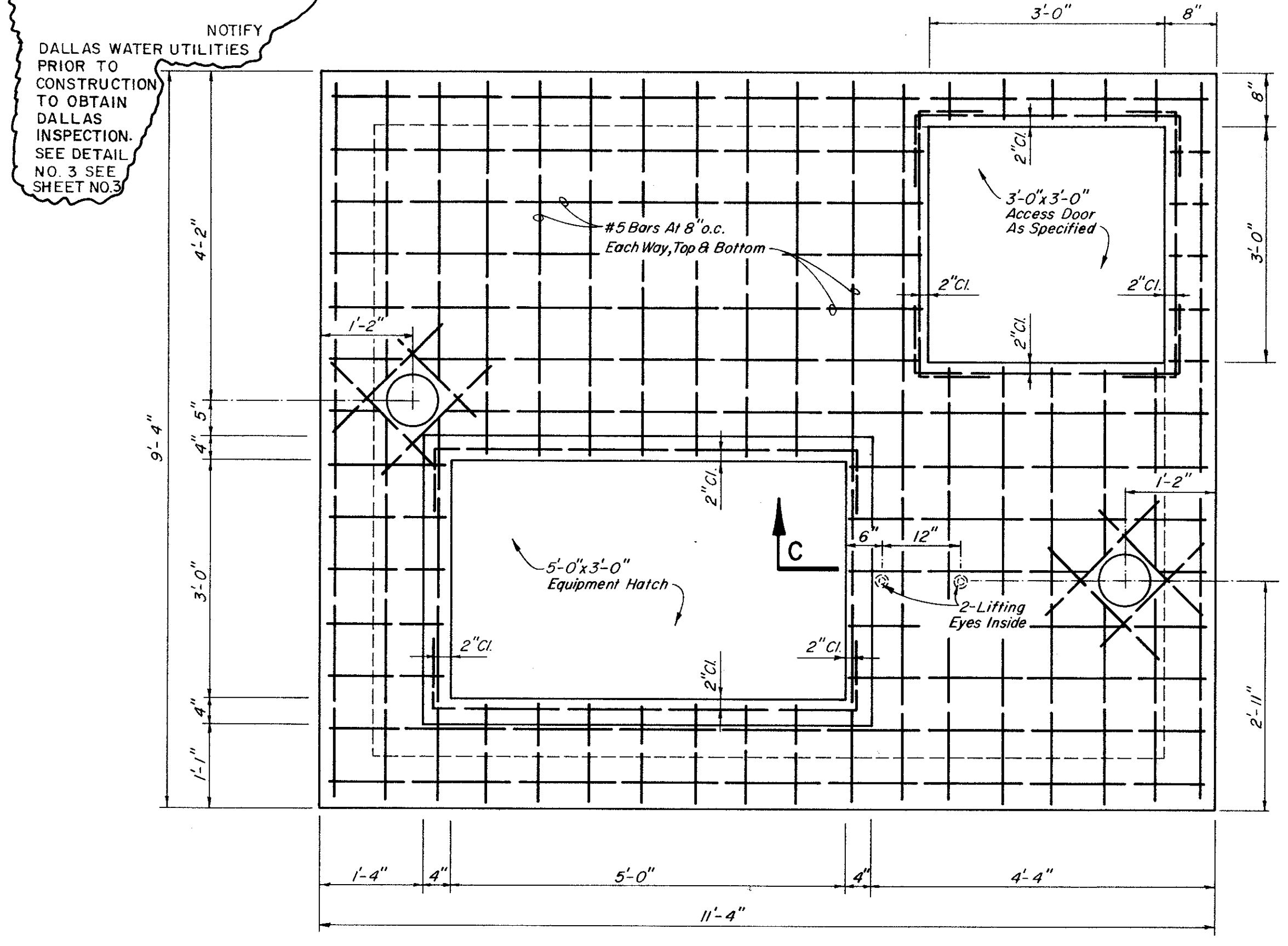
GINN & STACY, INC.
CONSULTING ENGINEERS
DALLAS, TEXAS
1978





PLAN
Scale: 3/4" = 1'-0"

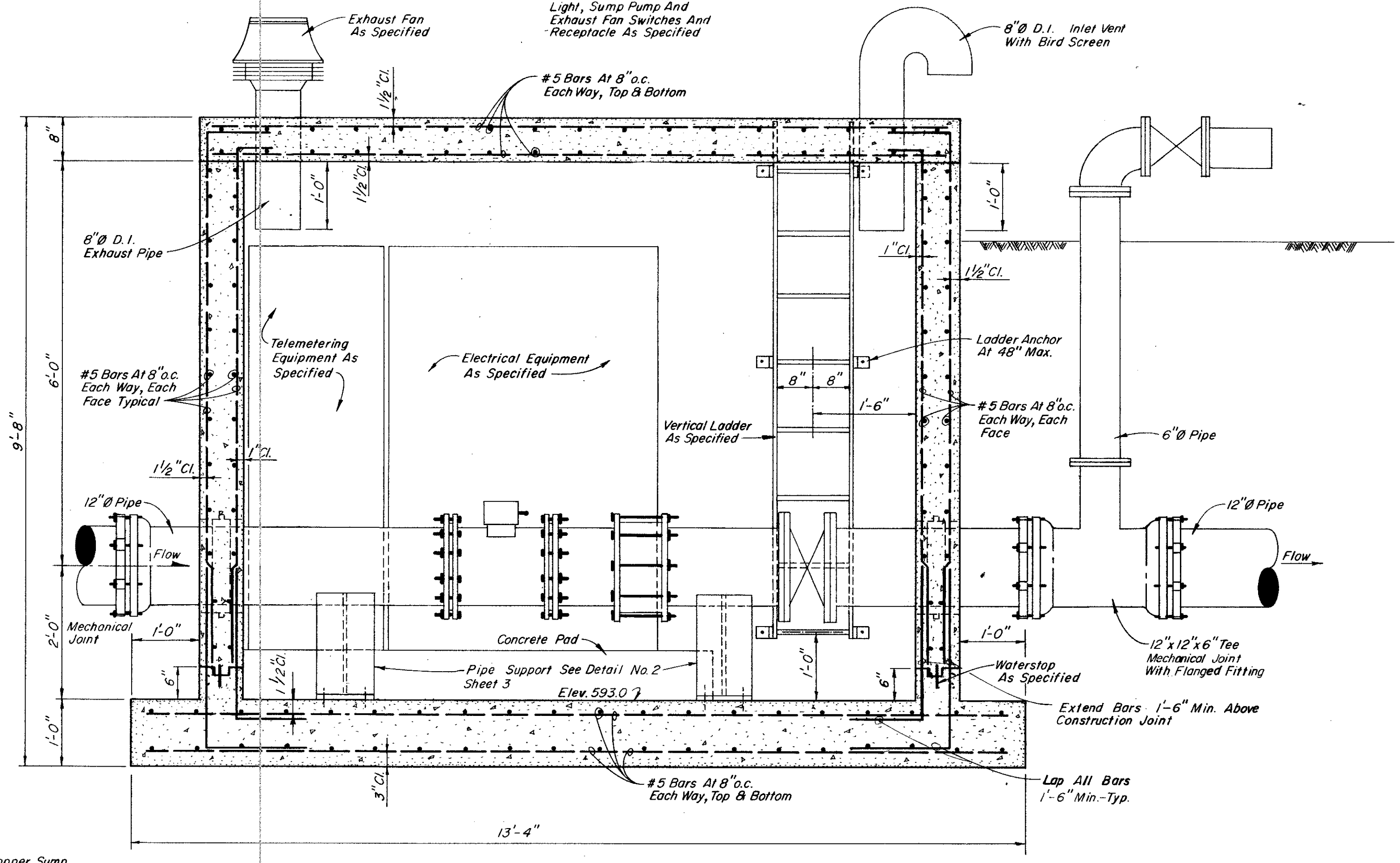
TIE TO EXISTING 60" Ø LINE (WET TAP),
NOTIFY DALLAS WATER UTILITIES PRIOR TO CONSTRUCTION TO OBTAIN DALLAS INSPECTION. SEE DETAIL NO. 3 SEE SHEET NO. 3



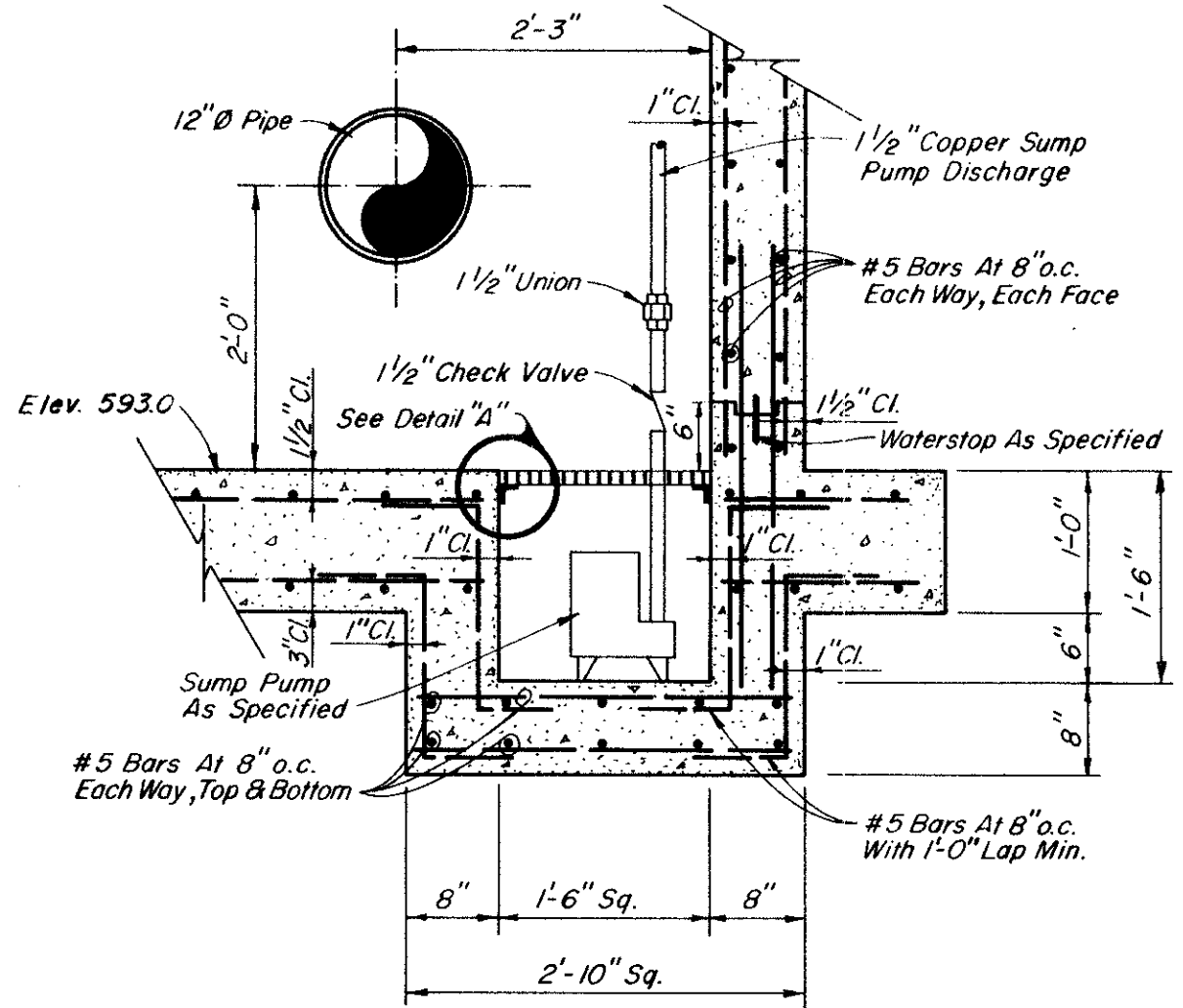
ROOF STEEL LAYOUT
Scale: 3/4" = 1'-0"

EXTEND PIPE TO TIE INTO THE GROUND STORAGE TANK. SEE SH. 3

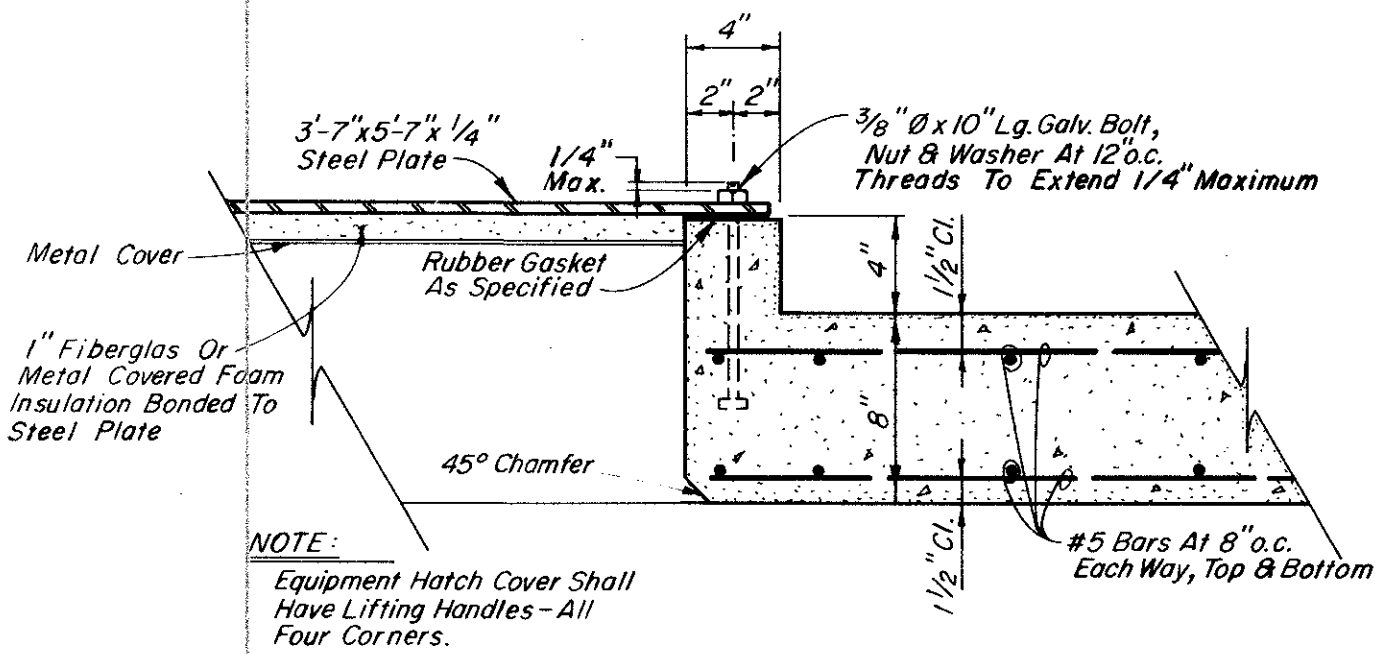
Note: If Valve Is Not Available At Time Of Installation Of Equipment The Contractor Will Provide At No Cost To The Owner, A Spool Piece To Allow Operation Of The R.O.F. Vault Until Valve Is Received. Contractor Will Install The Valve Upon Receipt.



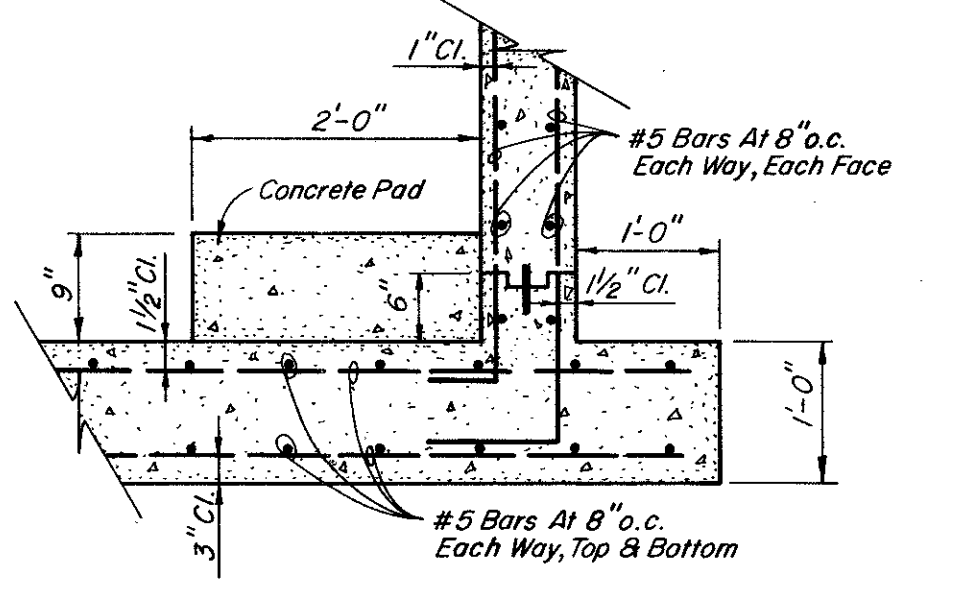
SECTION A-A
Scale: 3/4" = 1'-0"



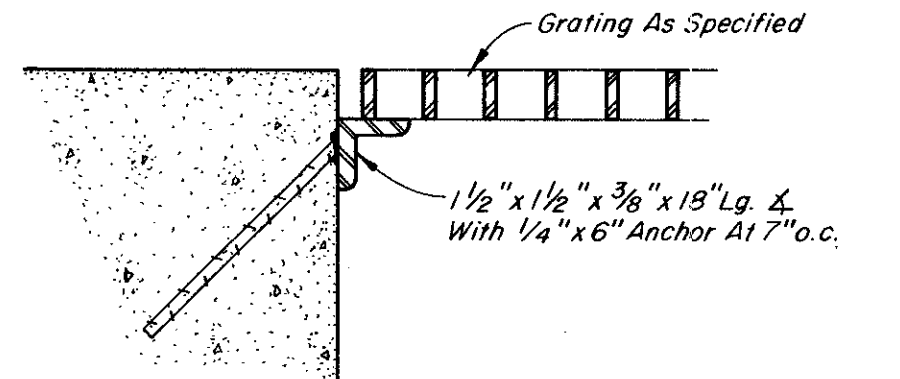
SECTION B-B
Scale: 3/4" = 1'-0"



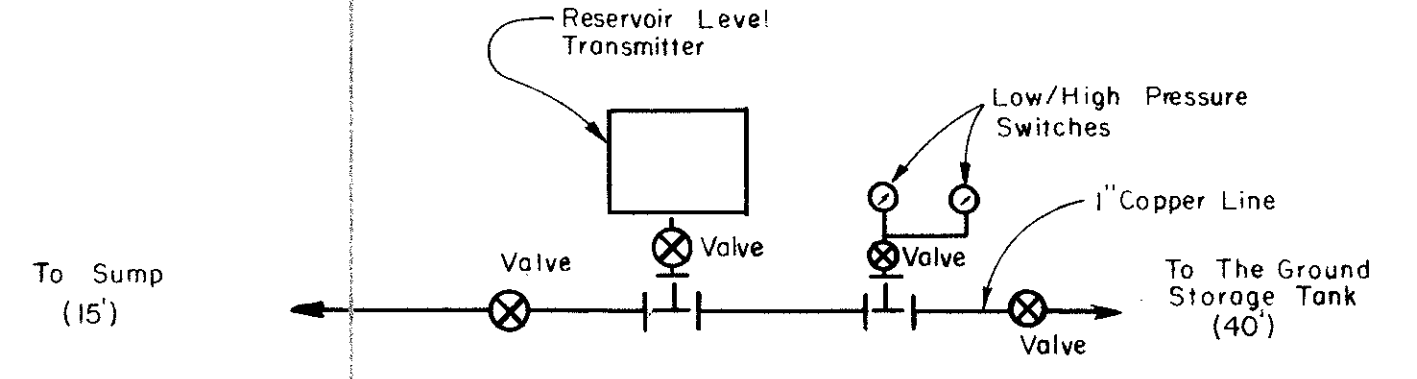
SECTION C-C
Scale: 1/2" = 1'-0"



SECTION D-D
Scale: 3/4" = 1'-0"

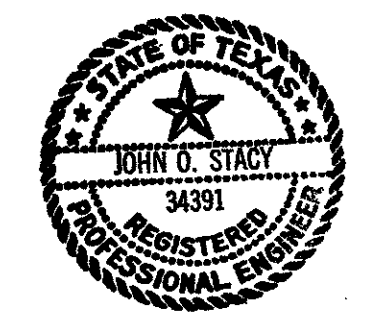


DETAIL "A"
Scale: 3" = 1'-0"



SCHEMATIC
LEVEL SENSING PIPING
N.T.S.

- NOTES:**
1. Slope Floor To Drain Into Sump 1/4" Per Foot.
 2. Concrete Equipment Pad Shall Be Level.
 3. Slope Roof To Drain 1/4" Per Foot



CITY OF DALLAS FILE NO. 681Q-21

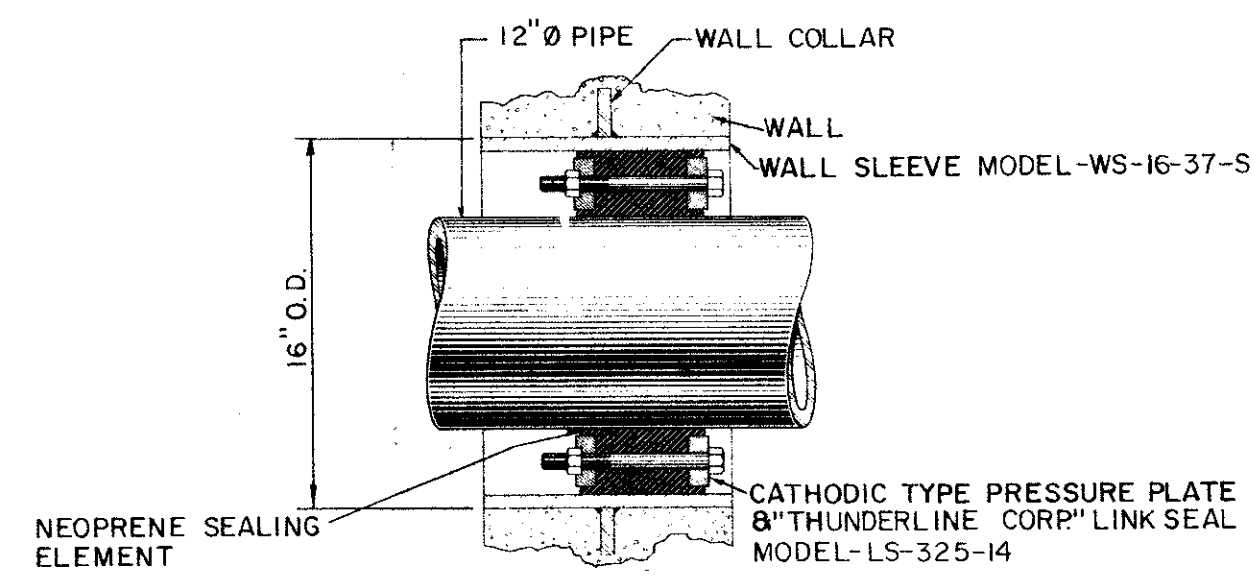
**CITY OF ADDISON
DALLAS COUNTY, TEXAS
WATER IMPROVEMENTS**

**RATE OF FLOW CONTROLLER
PLAN AND DETAILS**

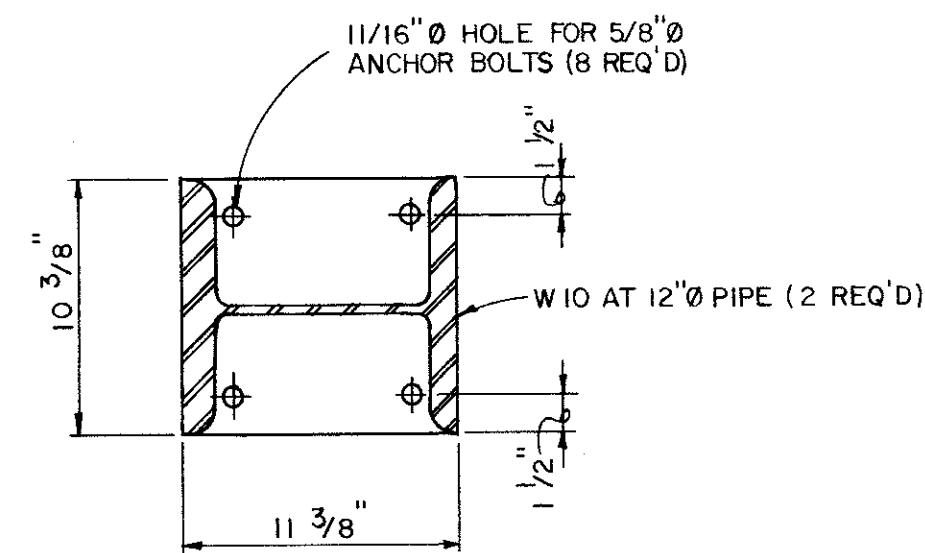
GINN & STACY, INC.
CONSULTING ENGINEERS - DALLAS, TEXAS

Designed By: J.O.S. Scale: As Shown
Drawn By: G.L.H. Date: 1978

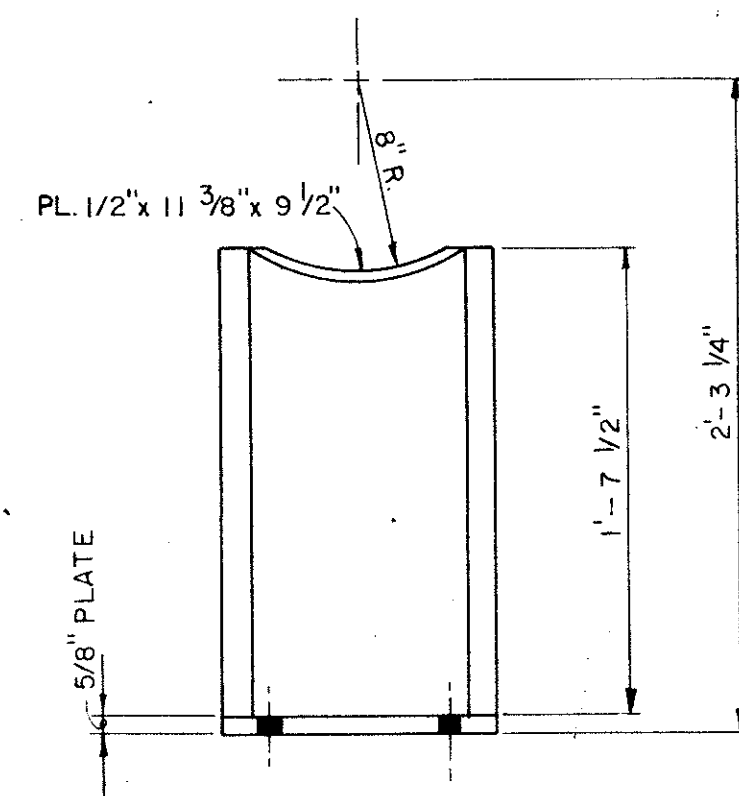
Sheet 2 of 6



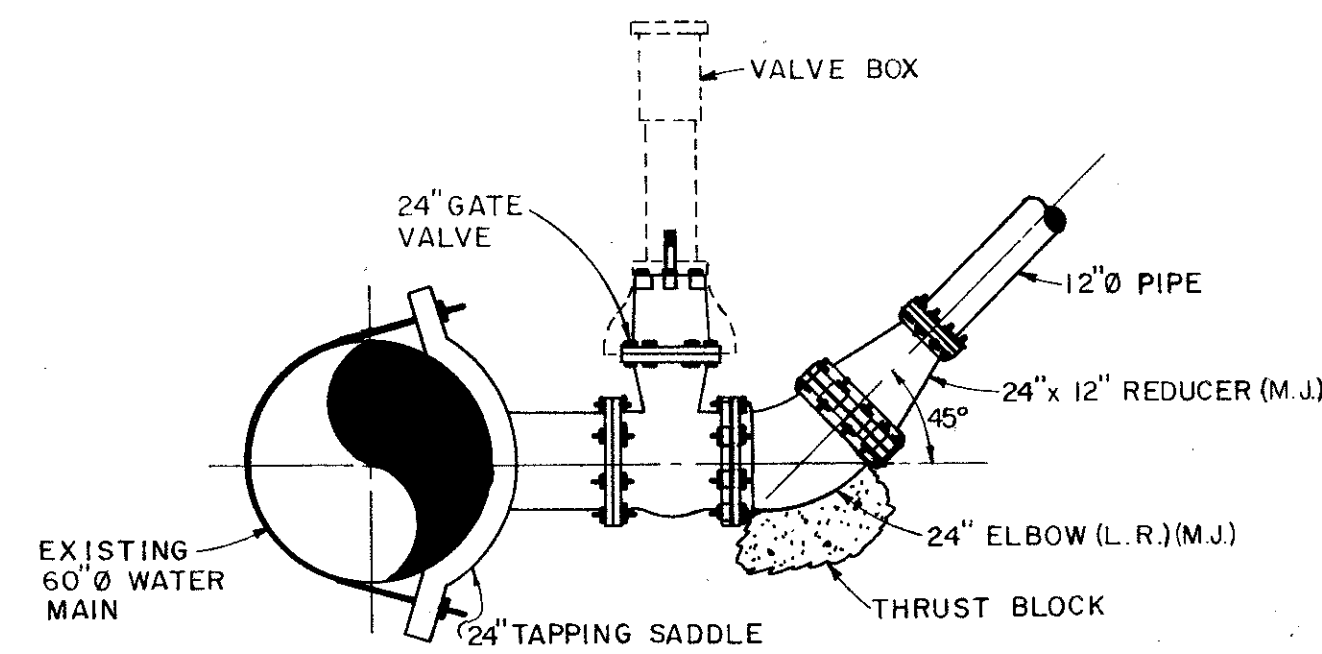
**WALL SEAL
DETAIL NO. 1**
N. T. S.



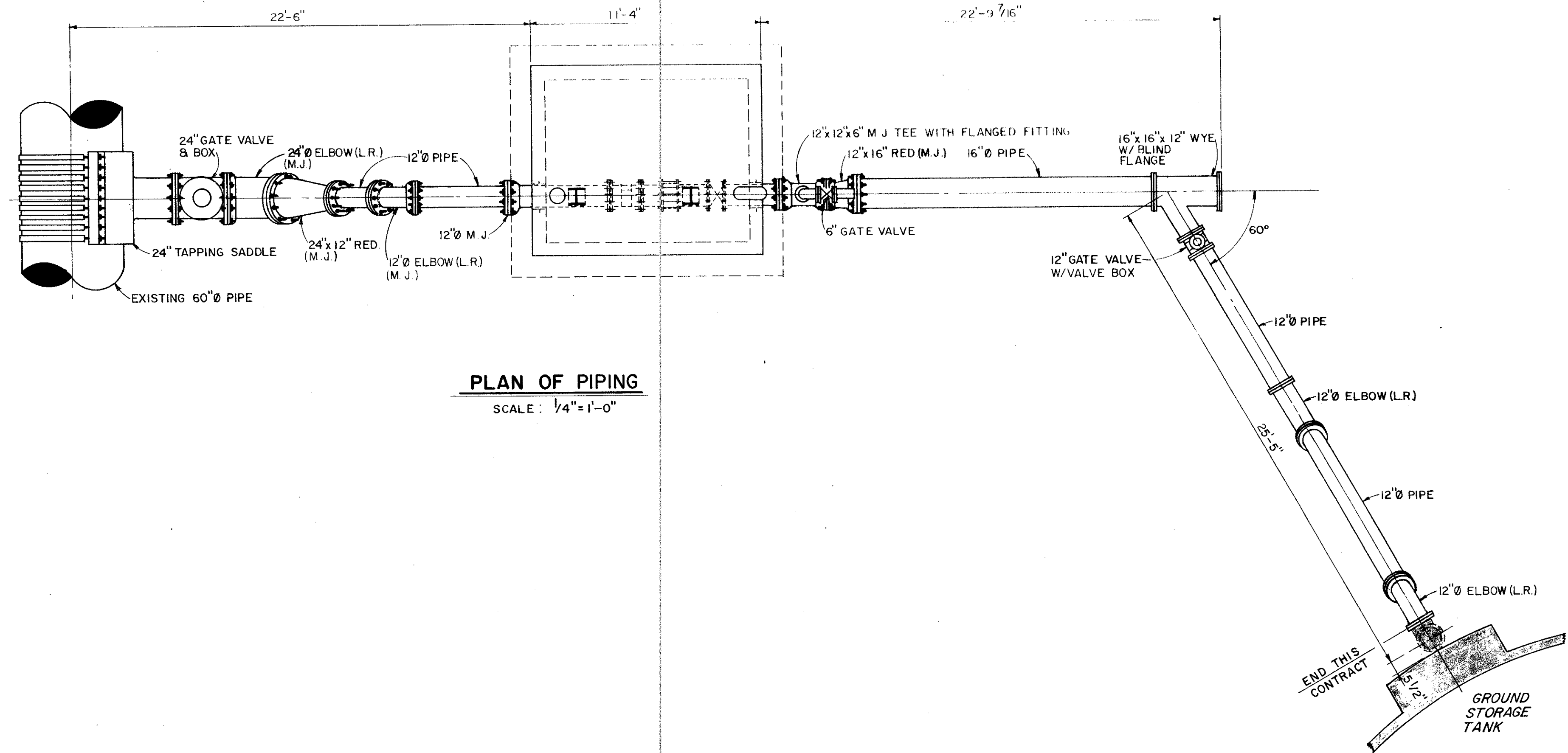
SECTIONAL PLAN



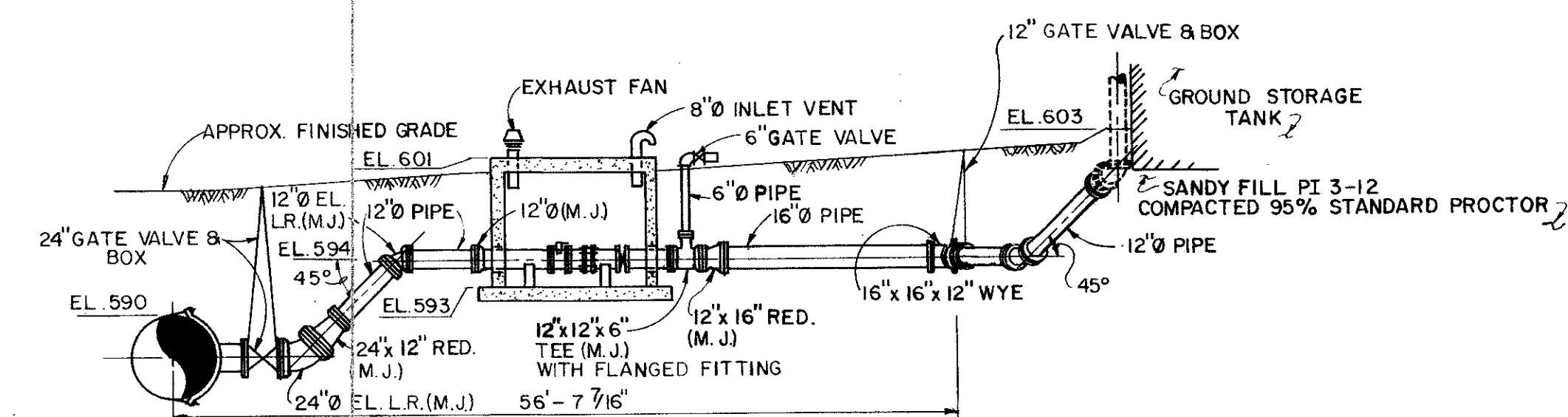
**ELEVATION PIPE SUPPORTS
DETAIL NO. 2**
SCALE: 1/2" = 1'-0"



DETAIL NO. 3
SCALE: 1/4" = 1'-0"



PLAN OF PIPING
SCALE: 1/4" = 1'-0"



PROFILE OF PIPING
N. T. S.



| | |
|--|-----------------|
| CITY OF DALLAS FILE NO. 681Q-21 | |
| CITY OF ADDISON DALLAS COUNTY, TEXAS | |
| WATER IMPROVEMENTS | |
| RATE OF FLOW CONTROLLER MISCELLANEOUS DETAILS | |
| GINN & STACY, INC. CONSULTING ENGINEERS DALLAS, TEXAS | |
| Designed By: J.D.S. | Scale: As Shown |
| Drawn By: G.L.H. | Date: 1978 |
| Sheet 3 of 6 | |



10' SINGLE GATE DOUBLE LOCKING CHAIN TO BE PROVIDED CHAIN LINK 6' HIGH (THIS CONTRACT)

6' HIGH CHAIN LINK FENCE (THIS CONTRACT)

10' WIDE ACCESS ROAD WITH 6" LIME STABILIZED BASE 6% LYDRATED LIME BY WEIGHT COMPACTED TO 95% STANDARD PROCTOR 6" CRUSHED CHICO LIMESTONE SURFACE. (THIS CONTRACT)

Proposed 6' High Chain Link Fence - See Specs By Others

PROPOSED GROUND STORAGE TANK (By Others)
Finish Floor El. 600.0

For Piping Details See Sht. No. 13

(Future Conn. (Typ.)

24" Outlet Pipe

See Detail "A" @ R.F. This Sht.
Access Ladder

PUMP STATION
FIN. FLOOR
EL. 600.00

Conc. Parking SEE Sht. 15

NOTE: Existing Water Line - Contractor To Verify Location

NOTE: Remove concrete curb as req'd. for drive

SURVEYOR BOULEVARD

Concrete Pavement (41' back to back of curb)

Exist. 66" conc. culverts w/ headwall

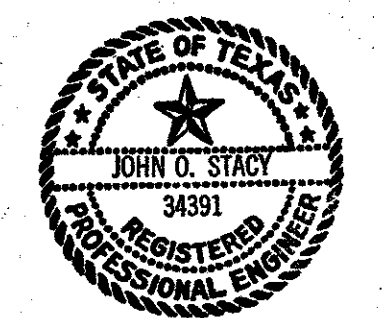
Exist. Sewer - Verify Location

SITE PLAN - 1"=20'

NOTE: This Contractor Responsible For All Final Grading and Landscaping. This Contractor To Coordinate Grading With Tank Contractor During Construction.

LEGEND

- 600 — Existing Contours
- 599.5 — Existing Spot Elevation
- 599 — Finished Grades
- 598.5 — Fin. Spot Elevation



CITY OF DALLAS FILE NO. 681Q-21

CITY OF ADDISON
DALLAS COUNTY, TEXAS

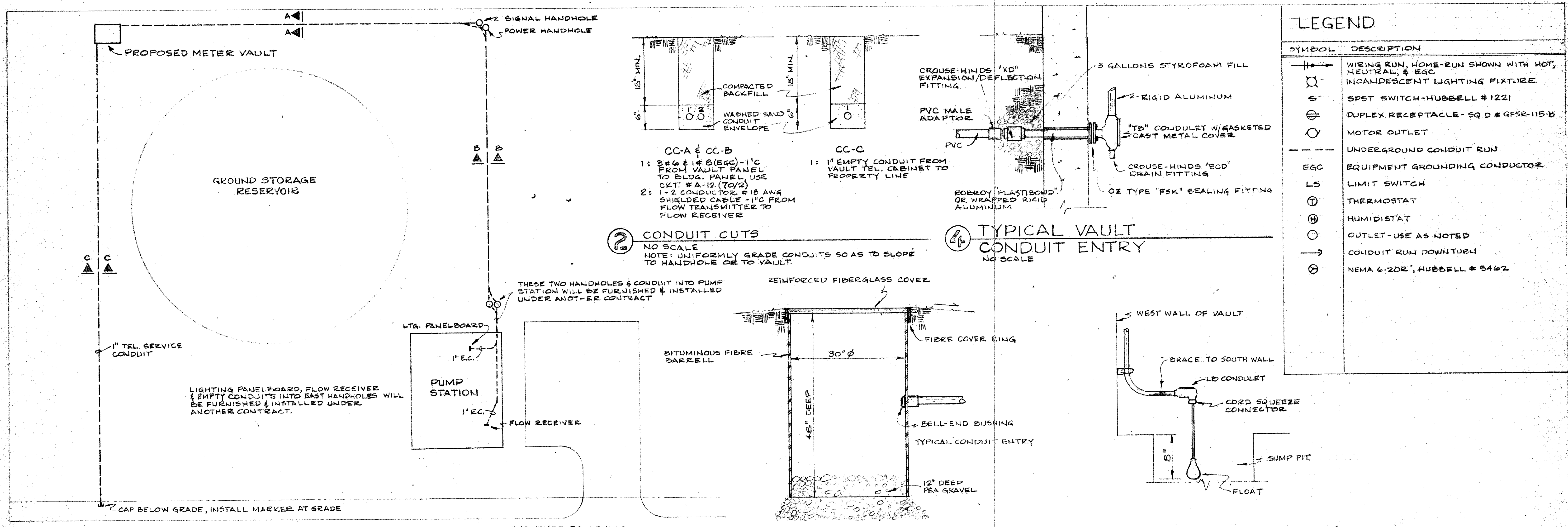
WATER IMPROVEMENTS

RATE OF FLOW CONTROLLER
ACCESS ROAD

GINN & STACY, INC.
CONSULTING ENGINEERS — DALLAS, TEXAS

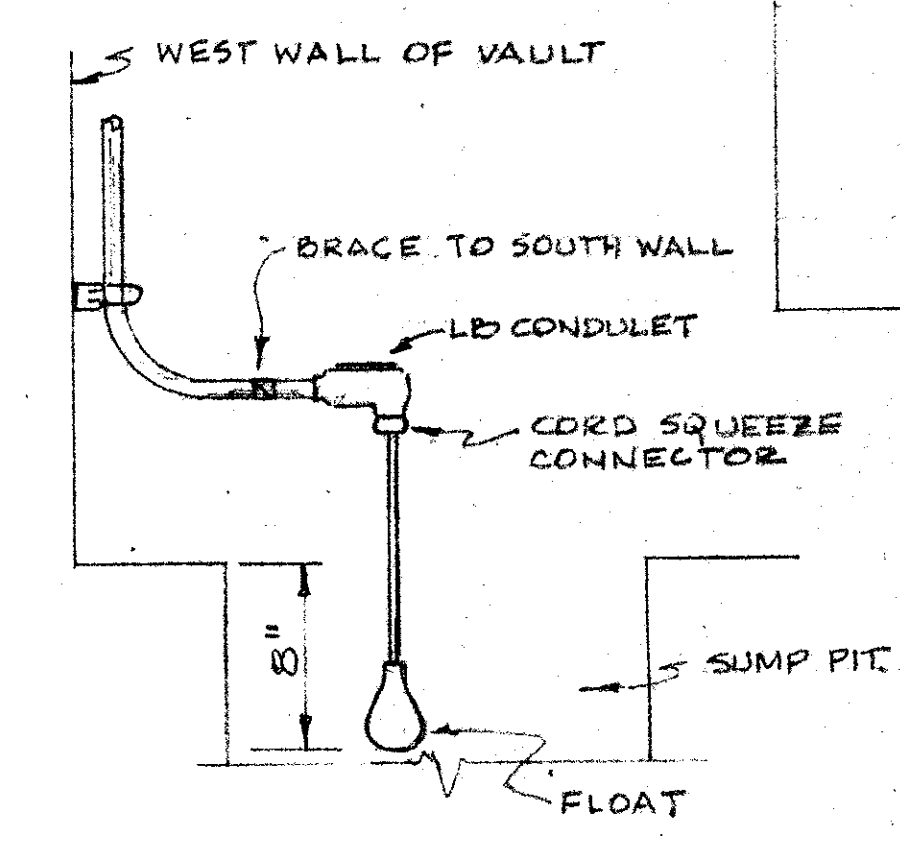
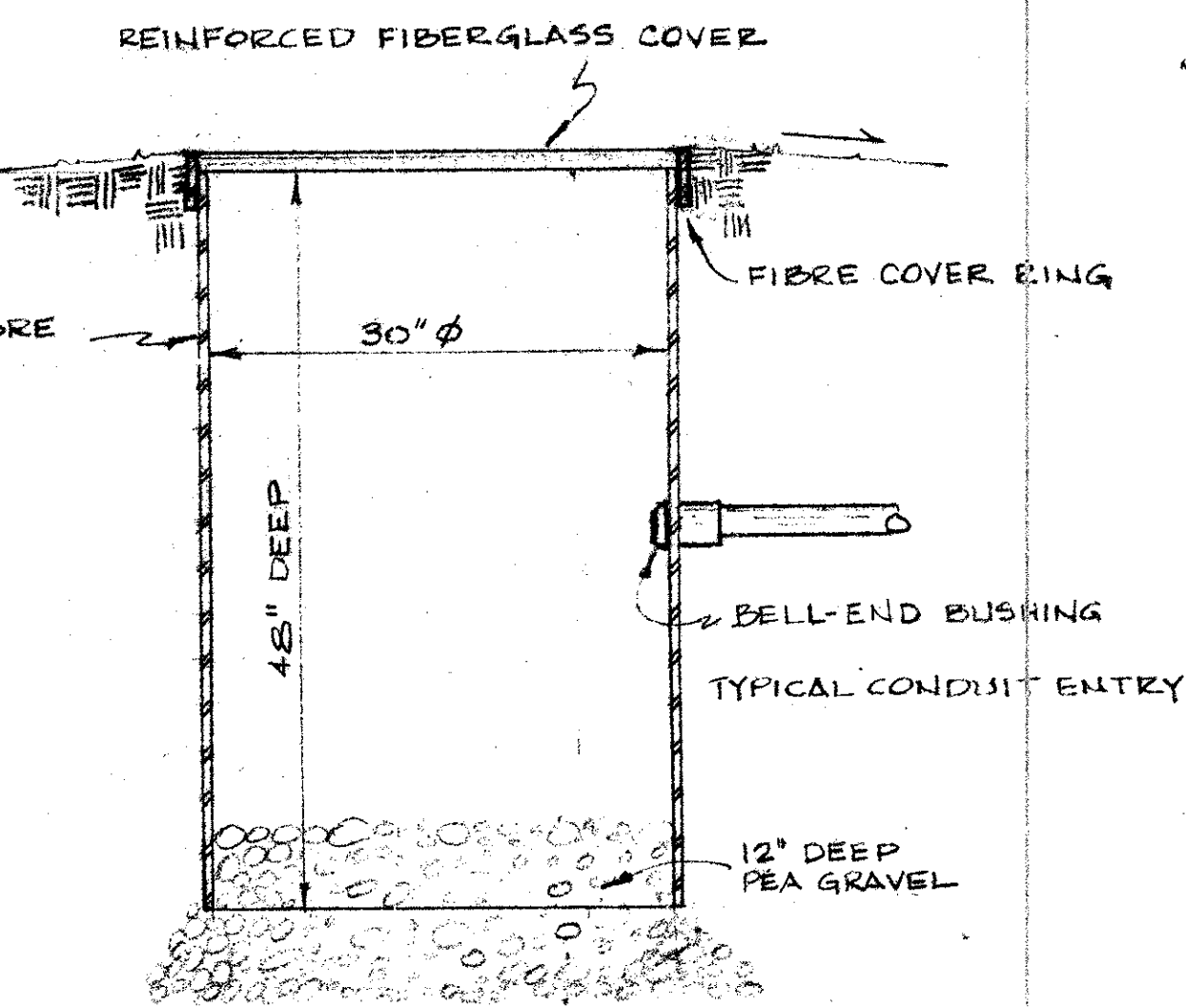
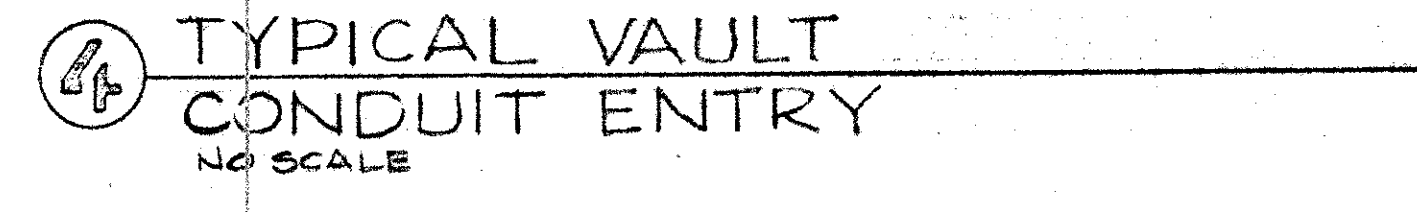
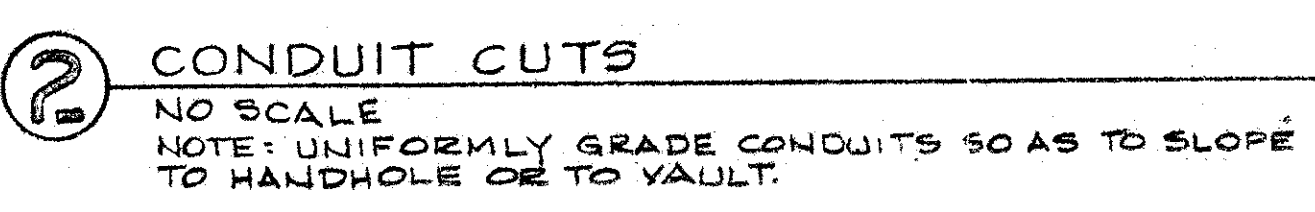
DESIGNED BY J.O.S. SCALE 1/4"=20'
DRAWN BY G.L.H. DATE: 1978

Sheet 4 of 6



LEGEND

| SYMBOL | DESCRIPTION |
|--------|---|
| | WIRING RUN, HOME-RUN SHOWN WITH HOT, NEUTRAL, & EGC |
| | INCANDESCENT LIGHTING FIXTURE |
| | SPST SWITCH-HUBBELL #1221 |
| | DUPLEX RECEPTACLE - SQ D # GFSR-115-B |
| | MOTOR OUTLET |
| | UNDERGROUND CONDUIT RUN |
| | EQUIPMENT GROUNDING CONDUCTOR |
| | LIMIT SWITCH |
| | THERMOSTAT |
| | HUMIDISTAT |
| | OUTLET - USE AS NOTED |
| | CONDUIT RUN DOWNTURN |
| | NEMA 6-20R, HUBBELL # 5462 |



1 SITE PLAN

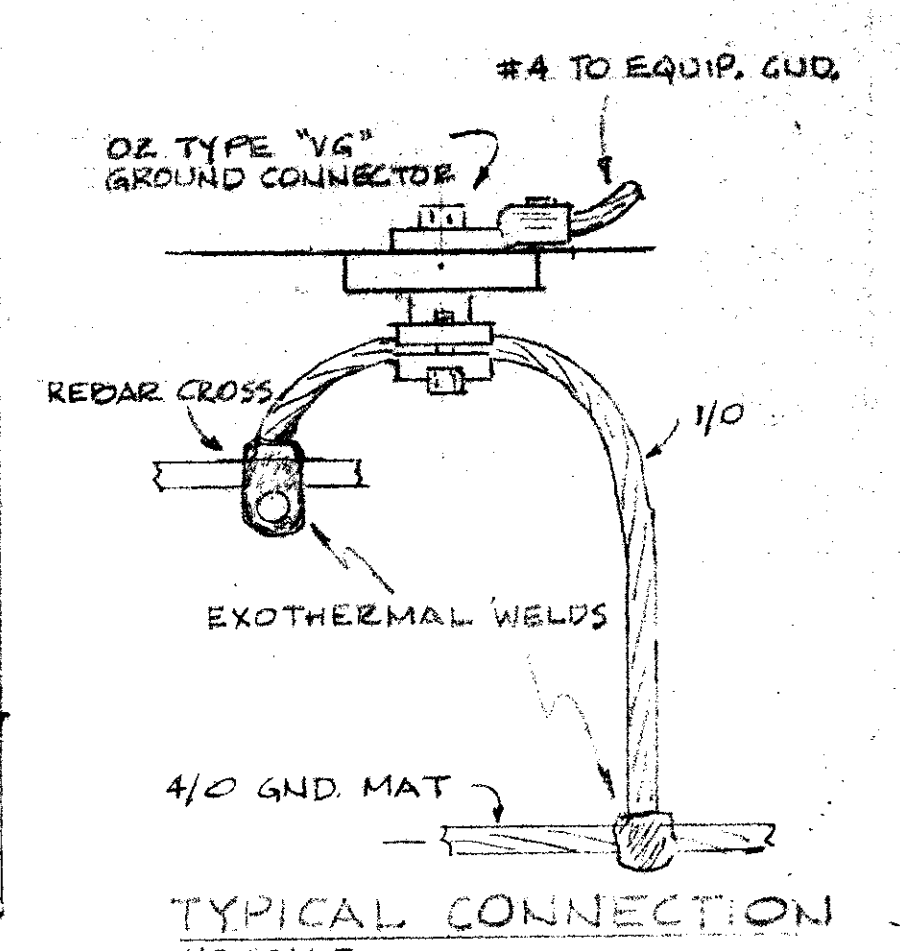
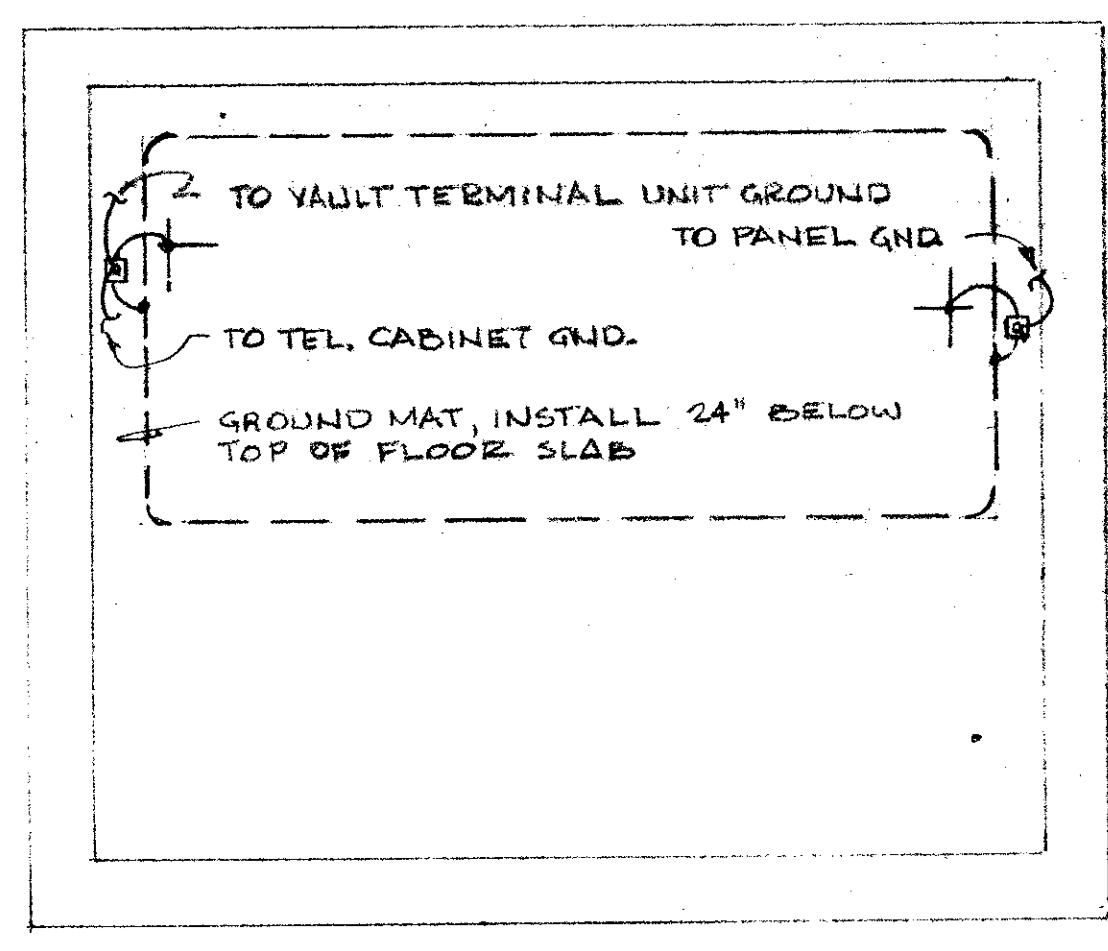
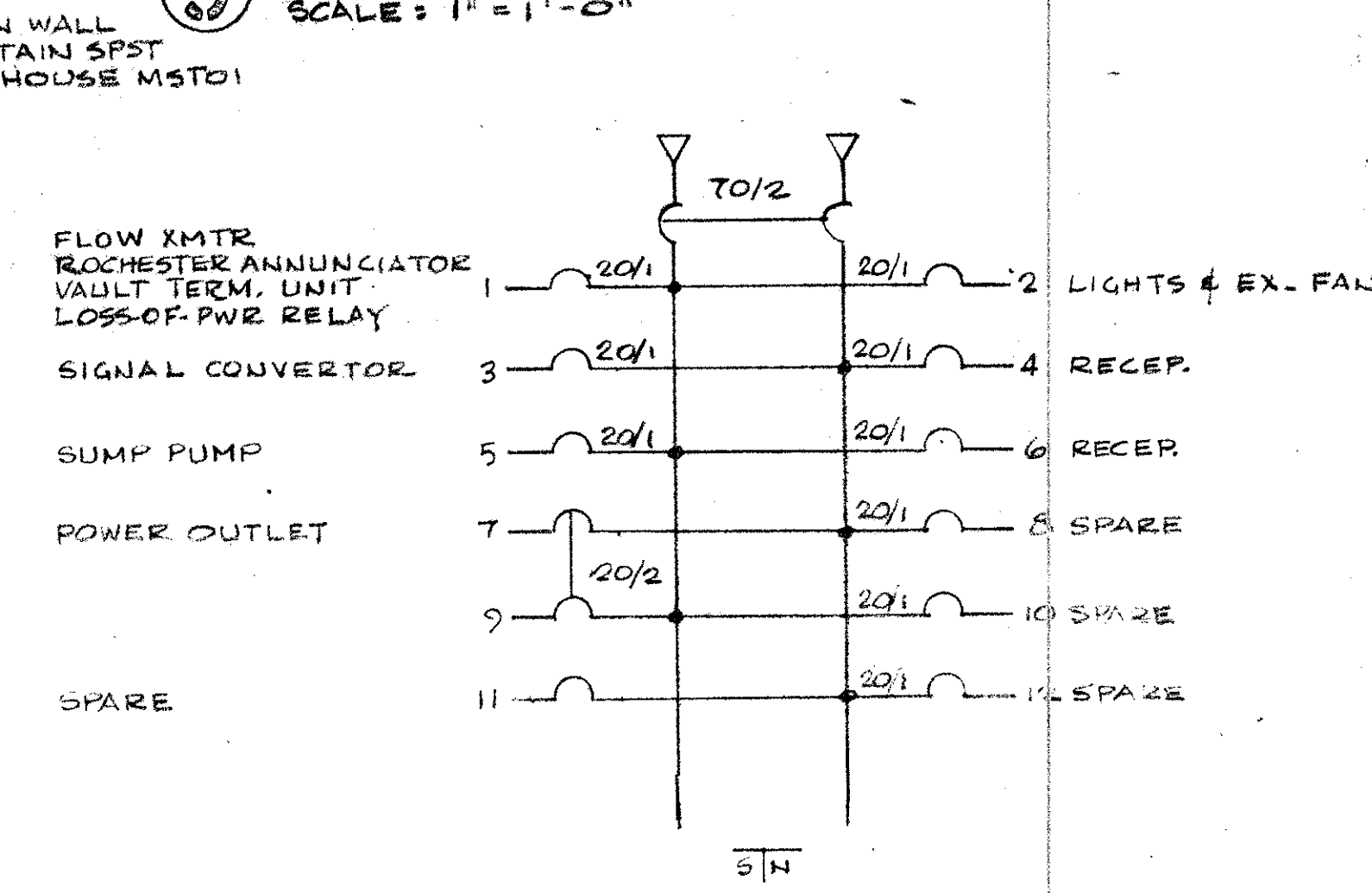
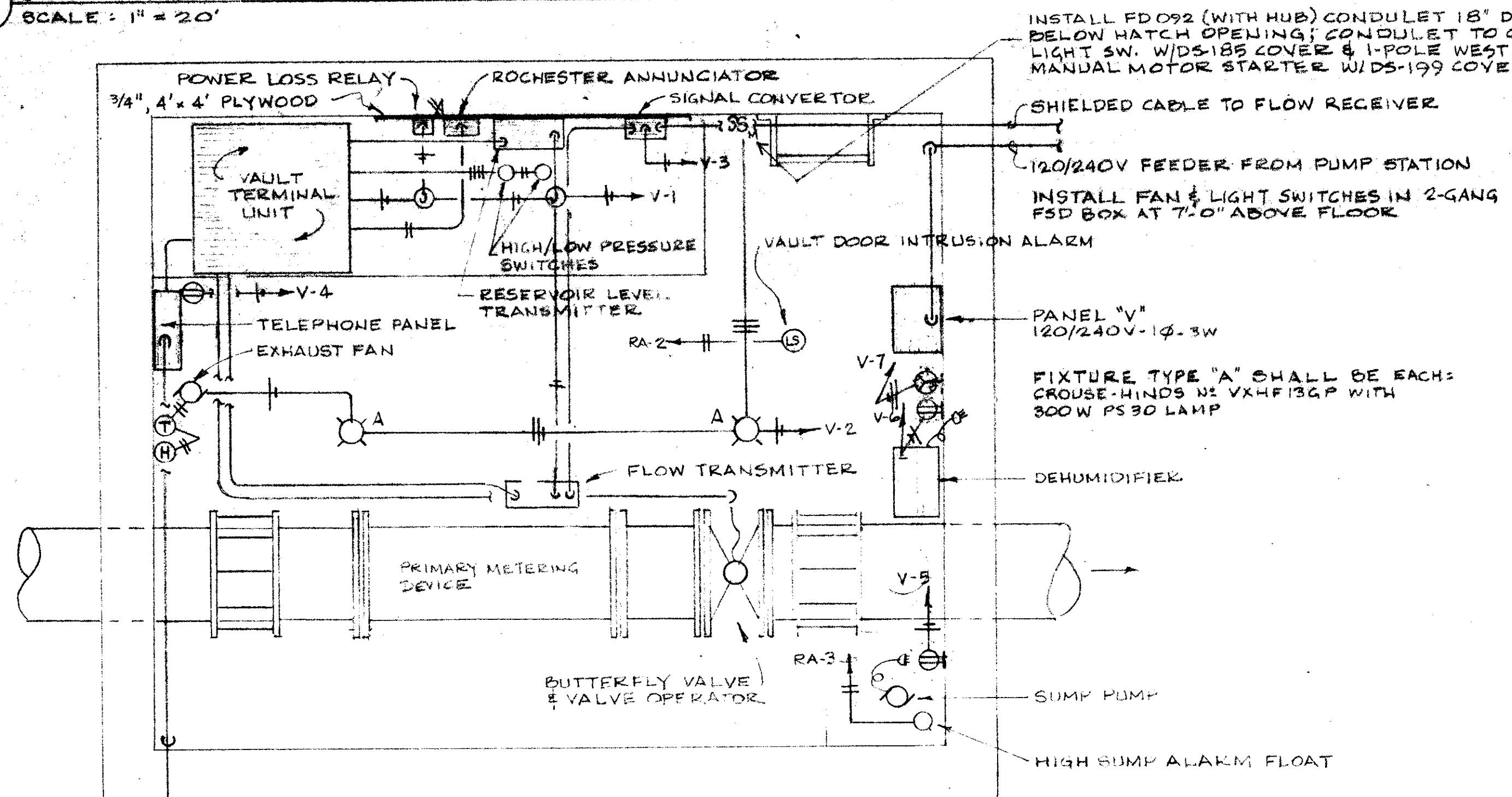
SCALE: 1" = 20'
NORTH

3 TYPICAL HANDHOLE

SCALE: 1" = 1'-0"

7 FLOAT DETAIL

NO SCALE



5 VAULT PLAN

SCALE: 3/4" = 1'-0"

8 GROUNDING DETAILS

VAULT PLAN SCALE: 1/2" = 1'-0"

CITY OF DALLAS FILE NO. 6810-21

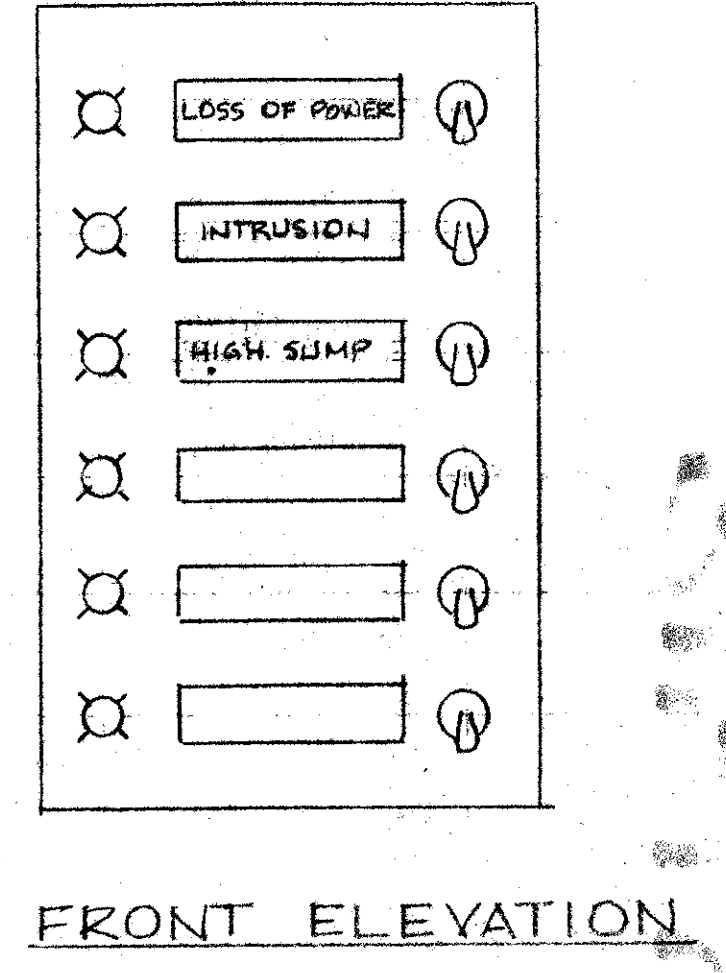
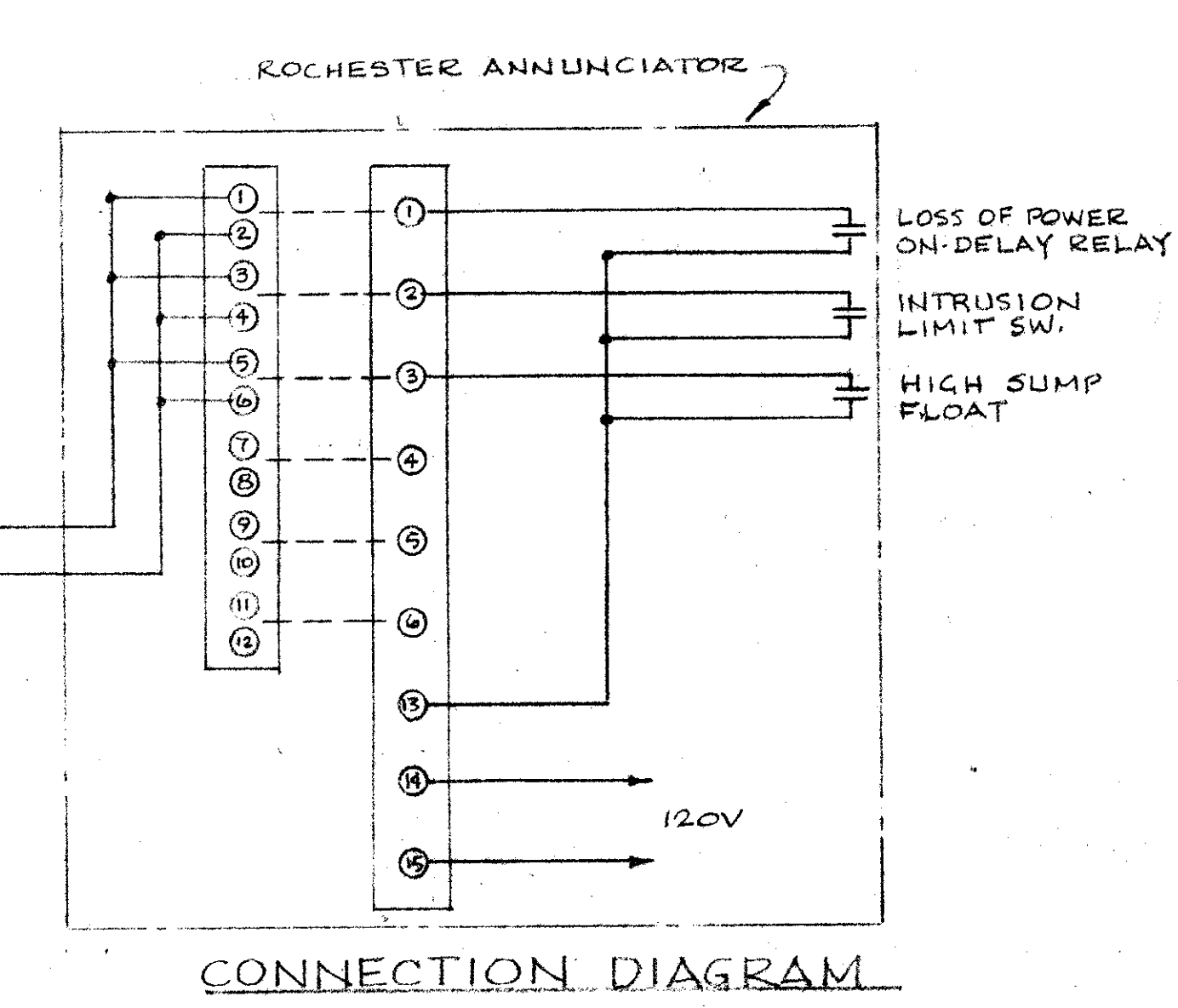
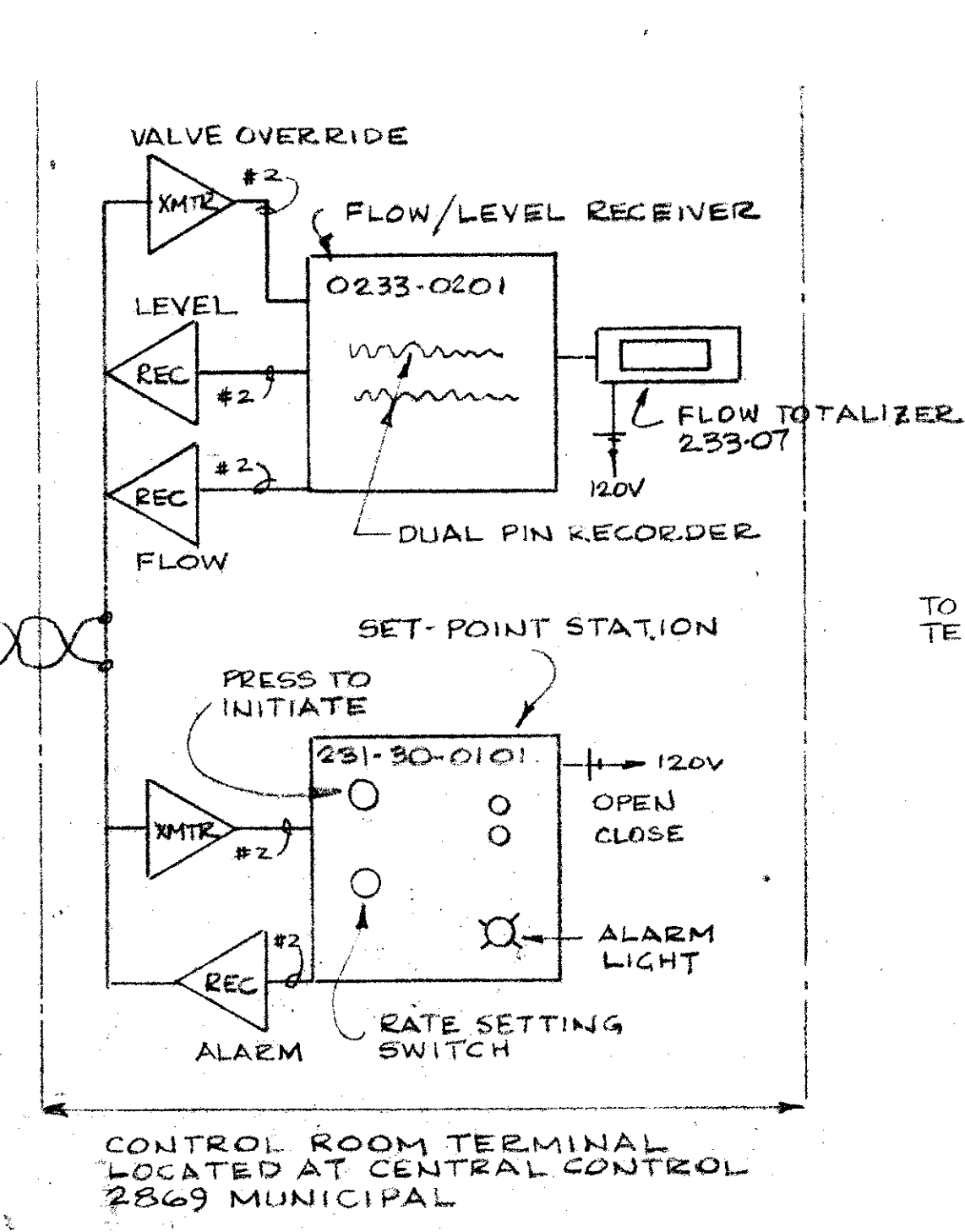
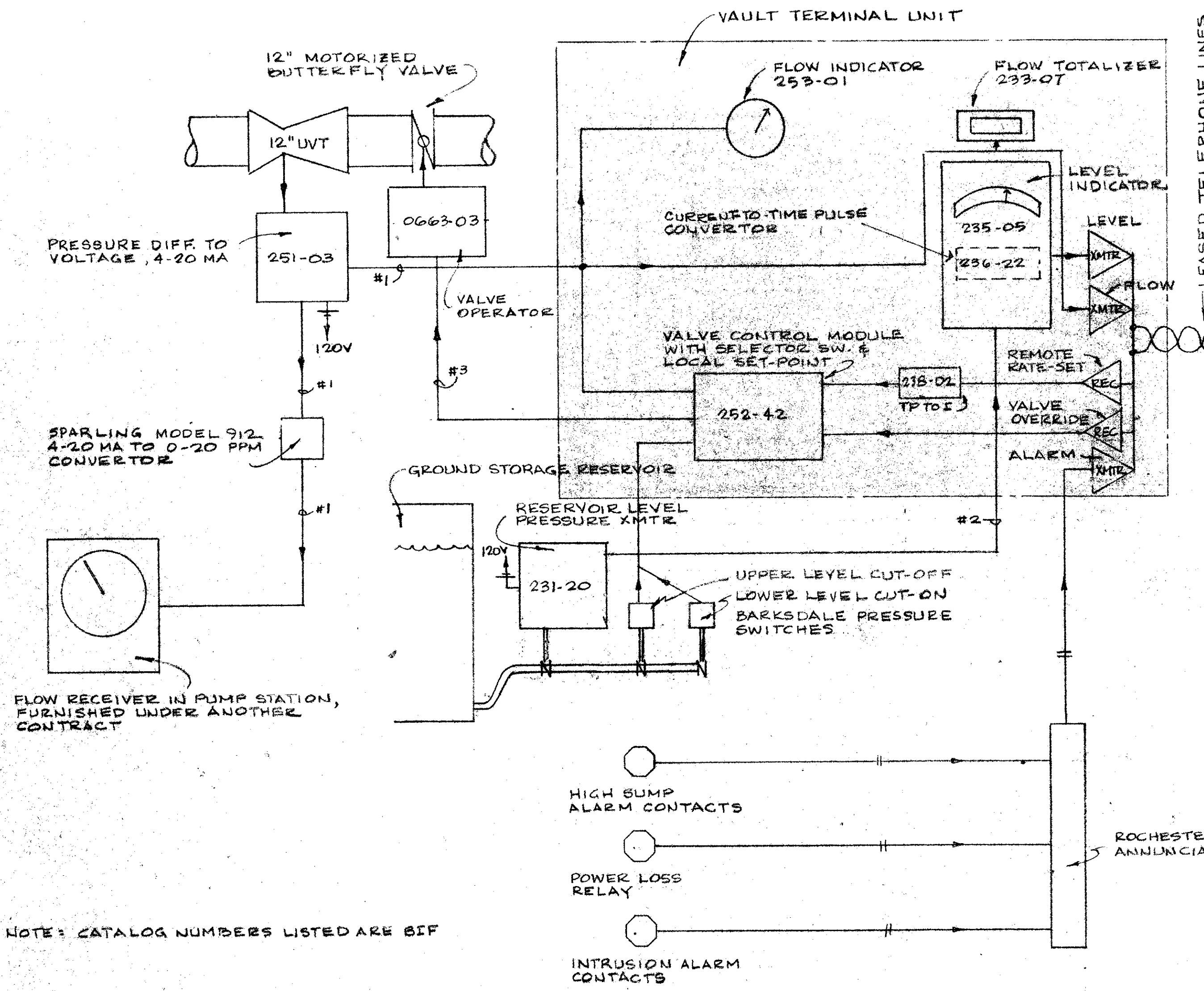
CITY OF ADDISON
DALLAS COUNTY, TEXAS
WATER IMPROVEMENTS

RATE OF FLOW CONTROLLER
ELECTRICAL

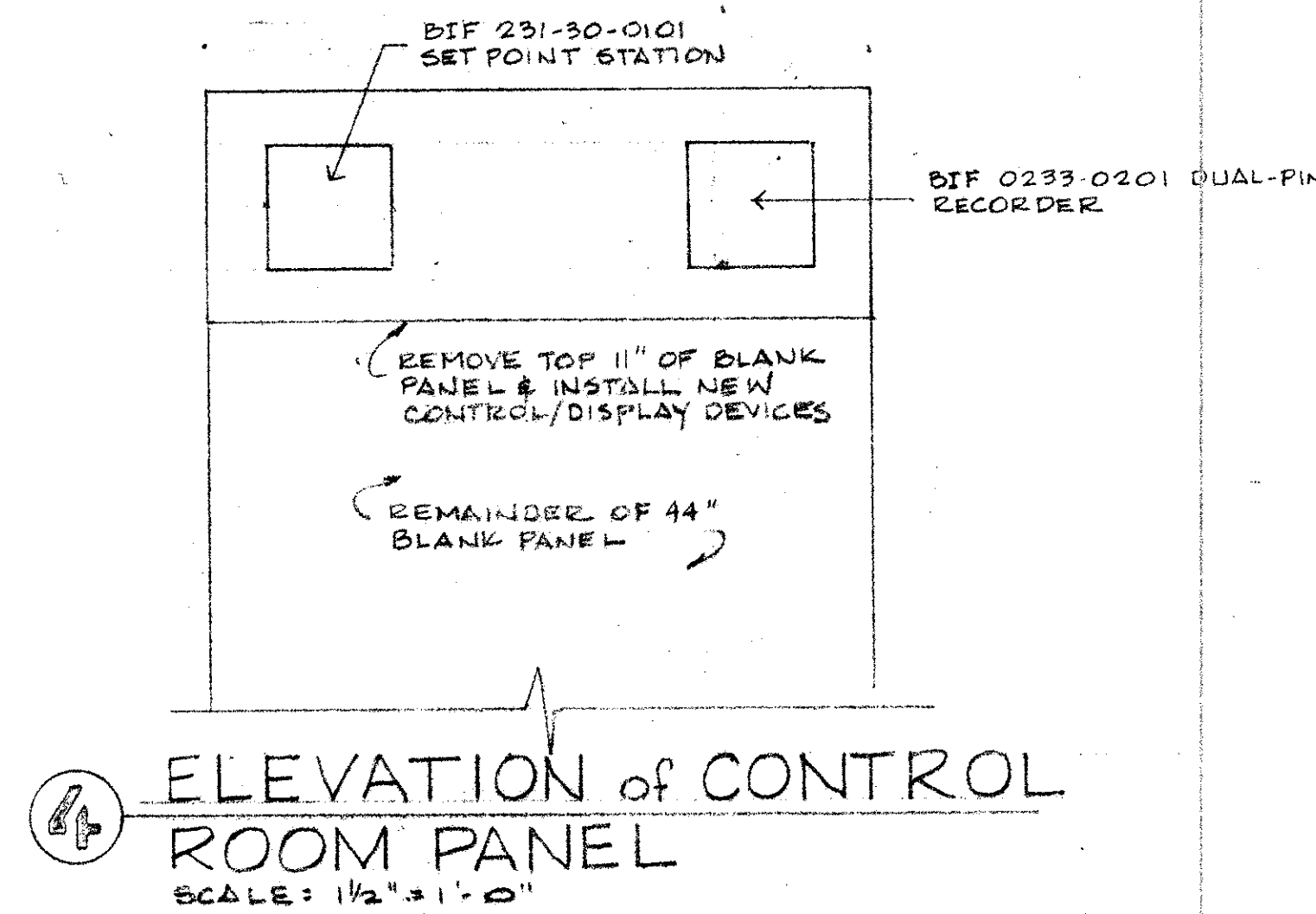
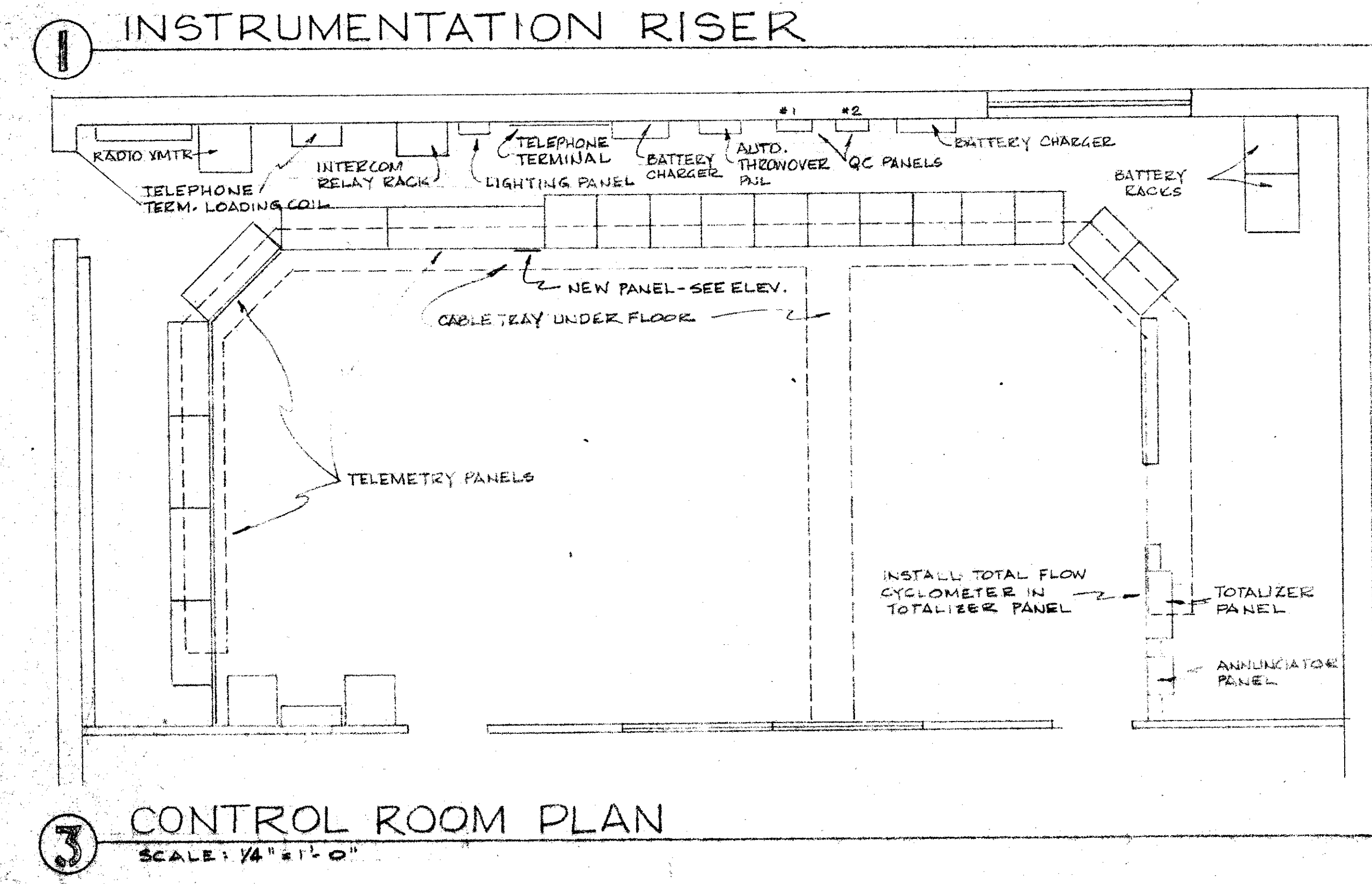
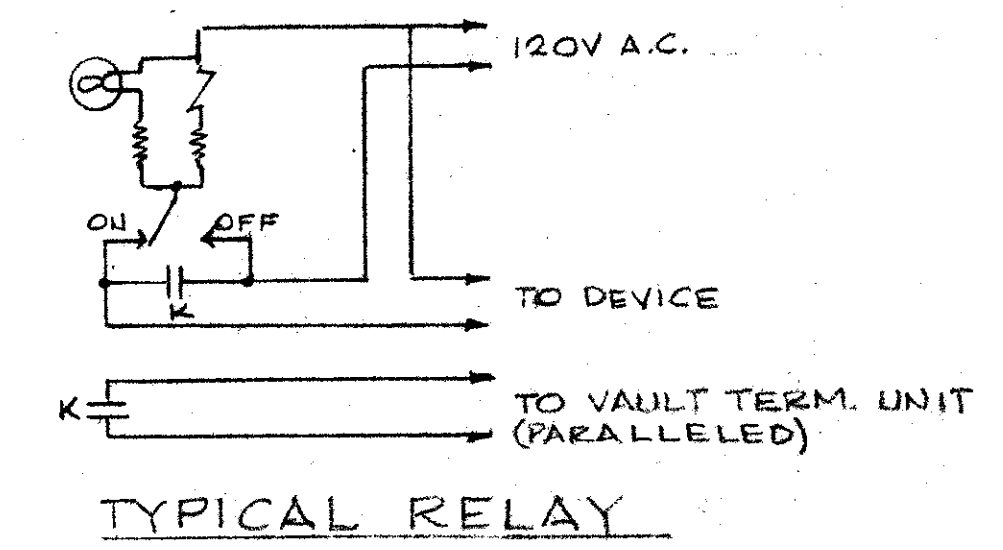
GINN & STACY, INC.
CONSULTING ENGR'S - DALLAS, TEXAS

Designed By: C.R.M. Scale: As Shown Sheet 5 of 6
Drawn By: C.R.M. Date: 1978





WIRING NOTES:
 #1 BELDEN # 8760 #18 AWG, 1-PAIR SHIELDED *
 #2 18 AWG, 1-PAIR UNSHIELDED
 #3 BELDEN # 9714 # 18 AWG, 6-PAIR SHIELDED *
 * DO NOT RUN IN SAME CONDUIT WITH OTHER WIRING.



NOTE: CATALOG NUMBERS LISTED ARE BIF

ANNUNCIATOR DETAILS

3 CONTROL ROOM PLAN
 SCALE: 1/4" = 1'-0"

4 ELEVATION OF CONTROL ROOM PANEL
 SCALE: 1/2" = 1'-0"

CITY OF DALLAS FILE NO. 6810-21

CITY OF ADDISON
 DALLAS COUNTY, TEXAS
 WATER IMPROVEMENTS

**RATE OF FLOW CONTROLLER
 ELECTRICAL**

GINN & STACY, INC.
 CONSULTING ENGINEERS - DALLAS, TEXAS

Designed By: C.R.M. Scale: As Shown
 Drawn By: C.R.M. Date: 1978

Sheet 6 of 6

