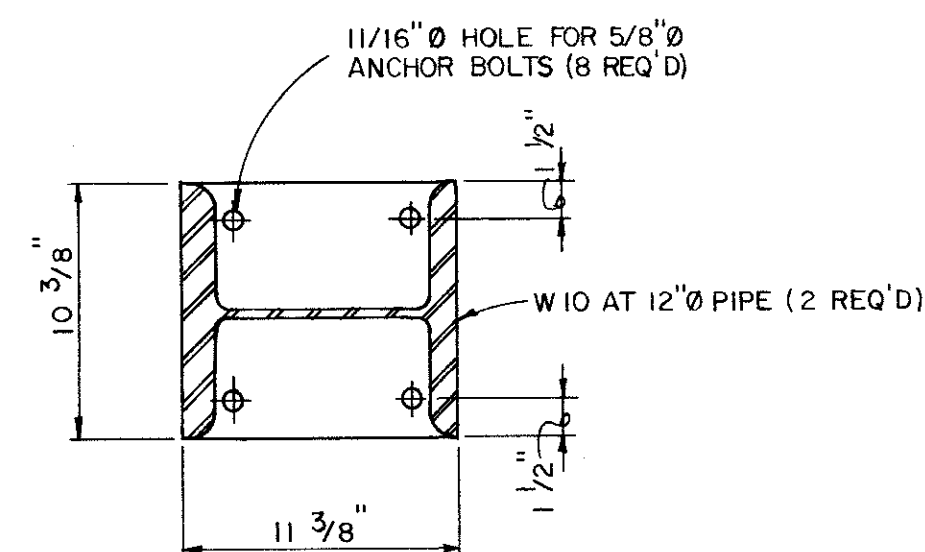
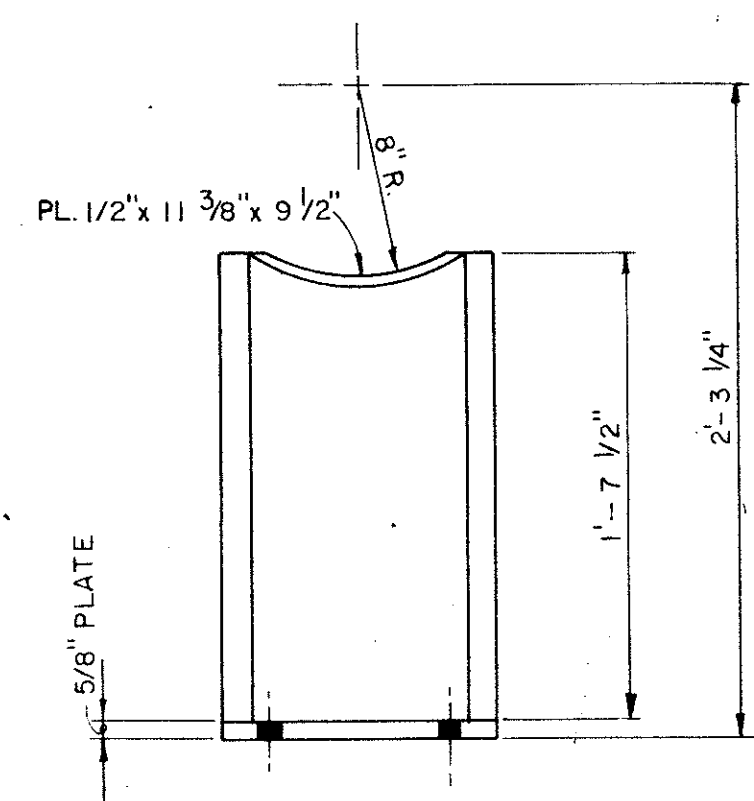


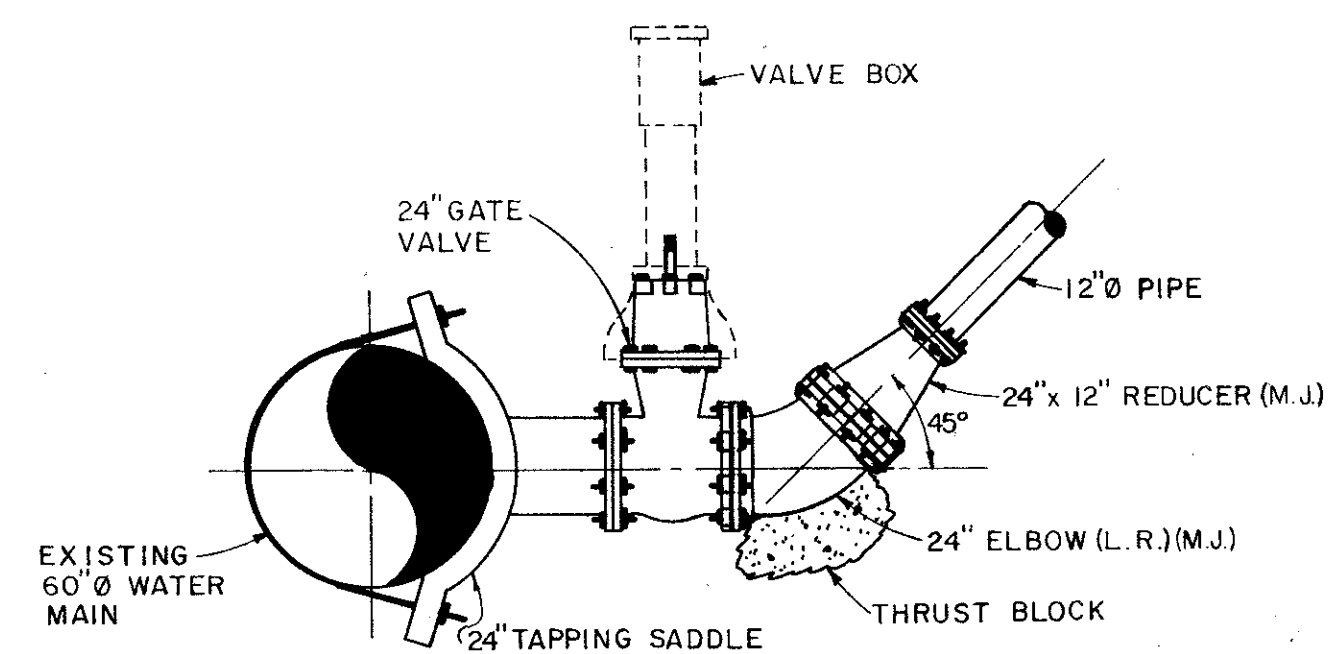
**WALL SEAL
DETAIL NO. 1**
N. T. S.



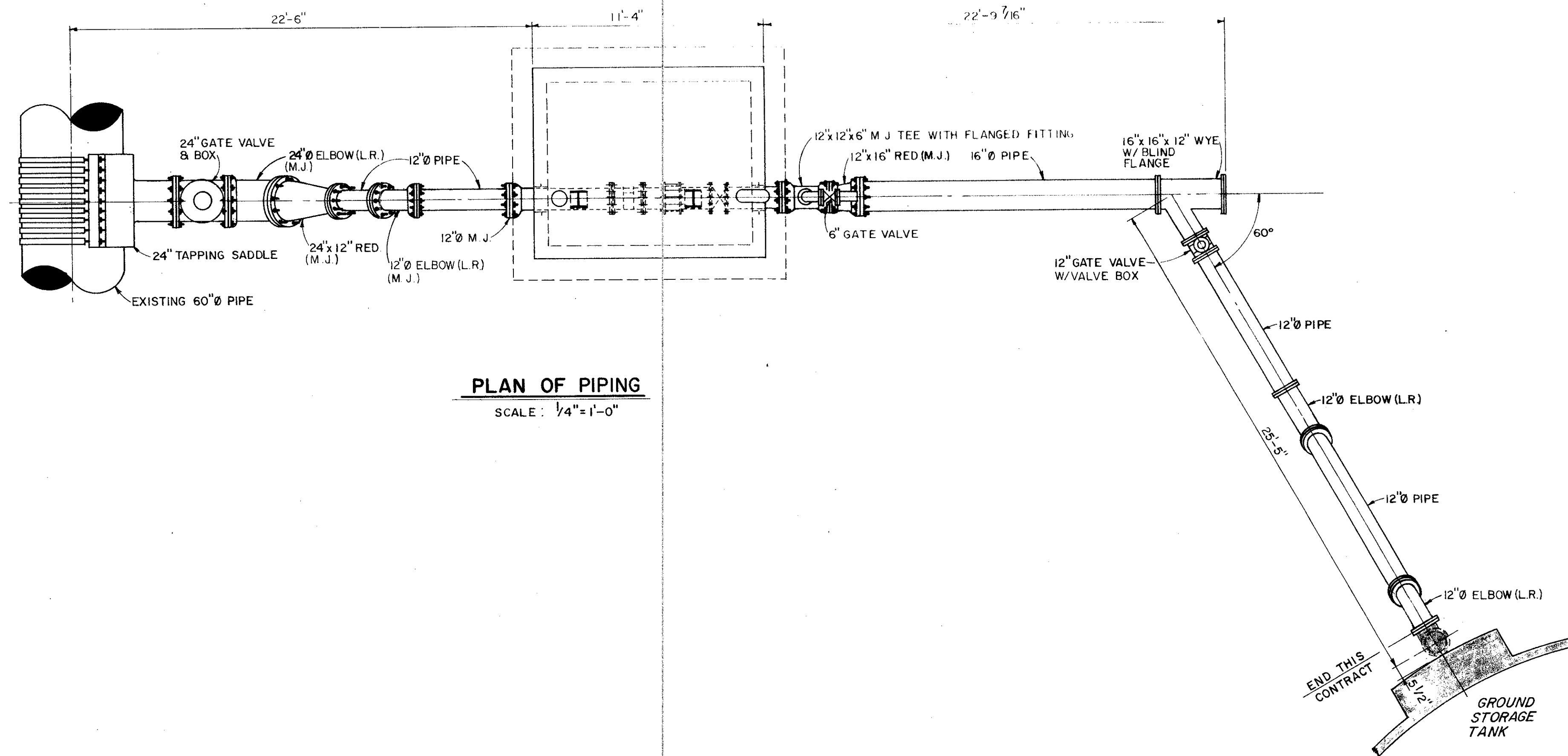
SECTIONAL PLAN



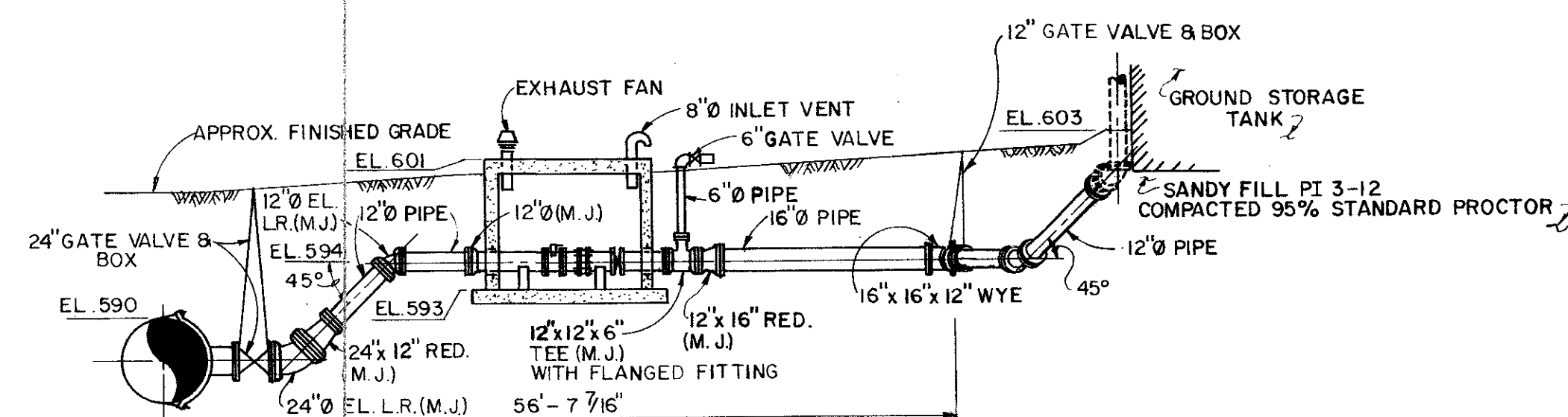
**ELEVATION PIPE SUPPORTS
DETAIL NO. 2**
SCALE: 1/2" = 1'-0"



DETAIL NO. 3
SCALE: 1/4" = 1'-0"



PLAN OF PIPING
SCALE: 1/4" = 1'-0"



PROFILE OF PIPING
N. T. S.



CITY OF DALLAS FILE NO. 681Q-21

CITY OF ADDISON
DALLAS COUNTY, TEXAS
WATER IMPROVEMENTS

RATE OF FLOW CONTROLLER
MISCELLANEOUS DETAILS

GINN & STACY, INC.
CONSULTING ENGINEERS DALLAS, TEXAS
Designed By: J.D.S. Scale: As Shown
Drawn By: G.L.H. Date: 1978

Sheet 3 of 6