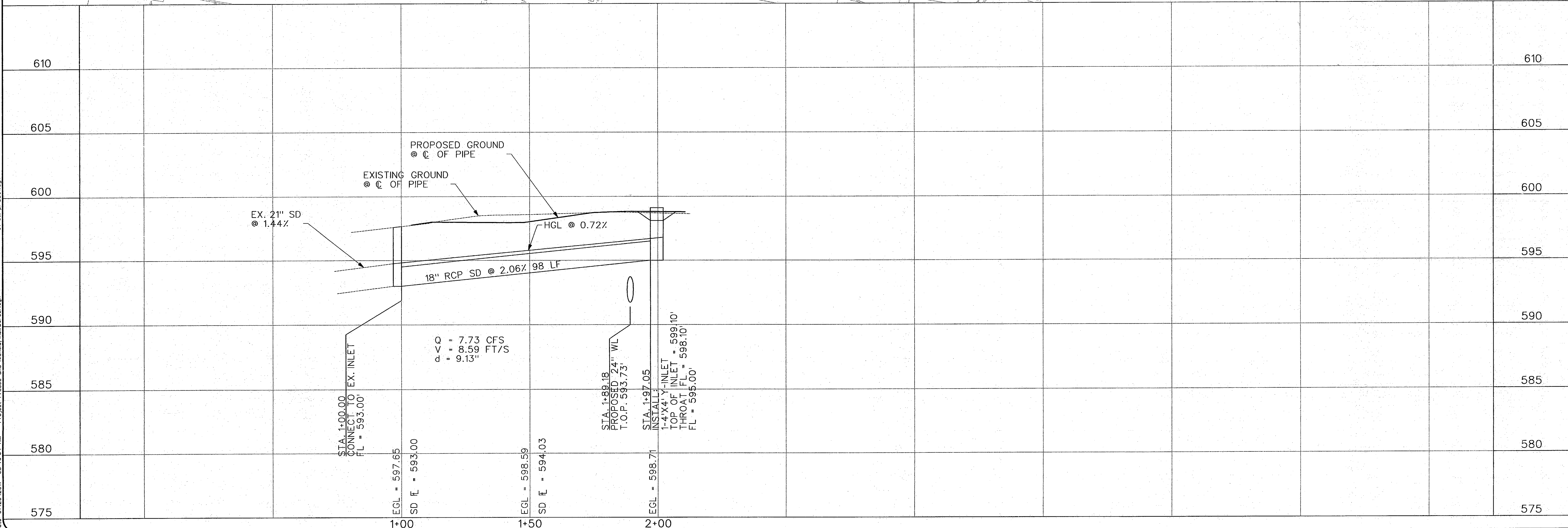
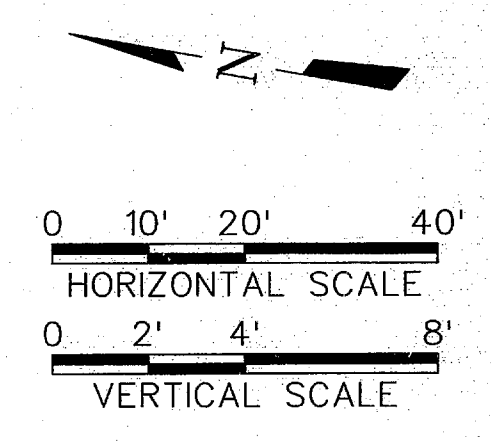
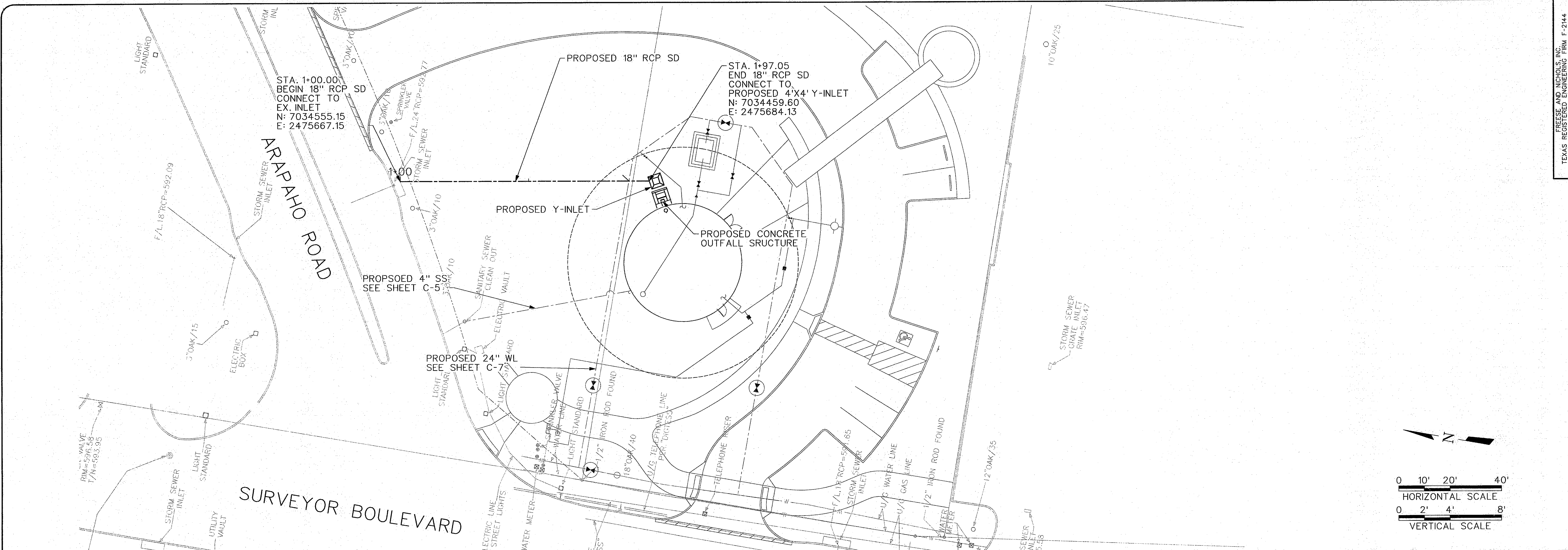


Project: Sewer and Storm Water Collection System for the City of Denton  
 Drawing: Sewer and Storm Water Collection System - Station 1+00 to 2+00  
 Date: 01/20/2011 08:40:34 AM  
 User: amr  
 File: N:\Drawings\CV-EST-PP-SD01.SHT



FREENSE AND NICHOLS, INC.  
 TEXAS REGISTERED ENGINEERING FIRM F-2144  
  
*Ronald G. King*

**FREENSE & NICHOLS**  
 2220 San Jacinto Blvd., Suite 330  
 Fort Worth, TX 76102  
 Phone: (817) 387-4600  
 Fax: (817) 387-4677  
 Web: www.freesenichols.com

TOWN OF ADDISON, TEXAS  
**SURVEYOR 1.5 MG EST**  
 CIVIL  
**STORM DRAIN PLAN AND PROFILE**  
**STA. 1+00 TO STA. 1+97.05**

NO.	ISSUES	BY	DATE	FRN JOB NO.	ADD08459
				DATE	01/21/11
				DESIGNED	DAT
				DRAWN	RUS
				REVISED	
				CHECKED	RGK
				FILE NAME	CV-EST-PP-SD01.SHT

VERIFY SCALE Bar is one inch on original drawing, if not one inch on this sheet, adjust scale.

SHEET **C-6**