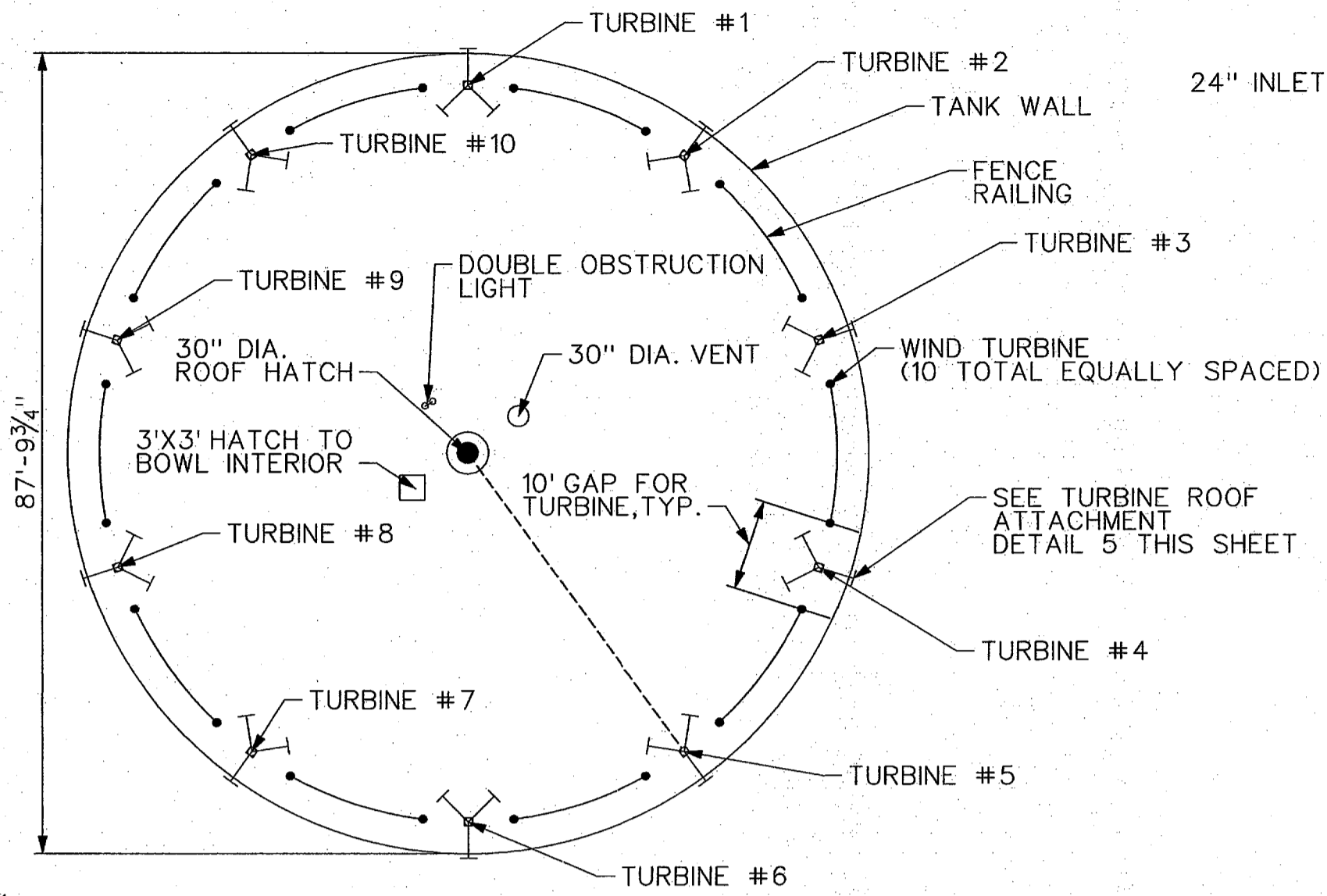


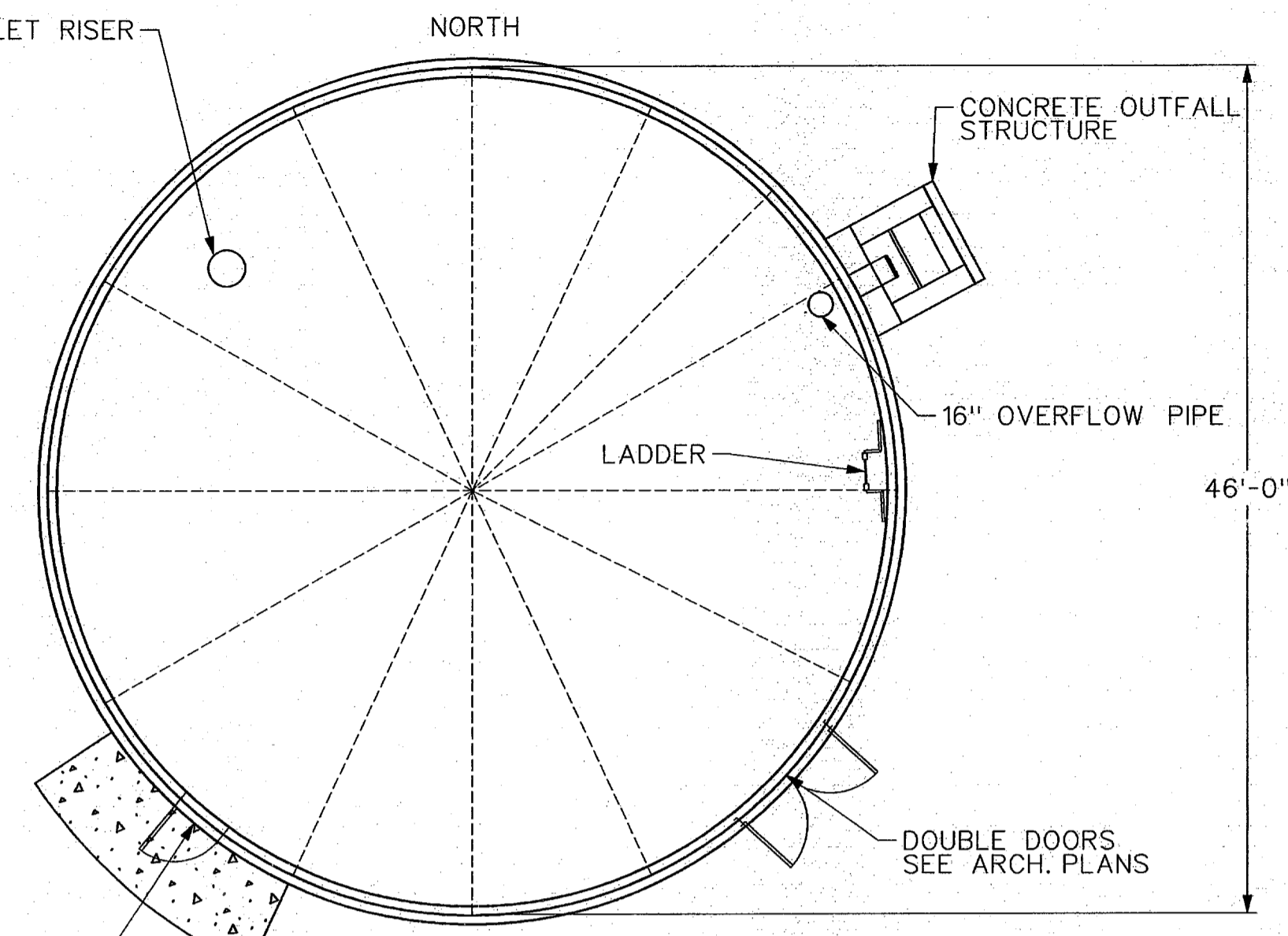
**NOTES:**

1. PROVIDE STEEL EYE-RINGS ON THE ROOF FOR LIFE-LINE CONNECTION WITHIN ARM LENGTH OF EACH ACCESS HATCH.
2. PEDESTAL WALL SHALL BE DESIGNED WITH ADEQUATE THICKNESS AND RE-INFORCEMENT TO ALLOW FOR FUTURE SECOND FLOOR STORAGE.

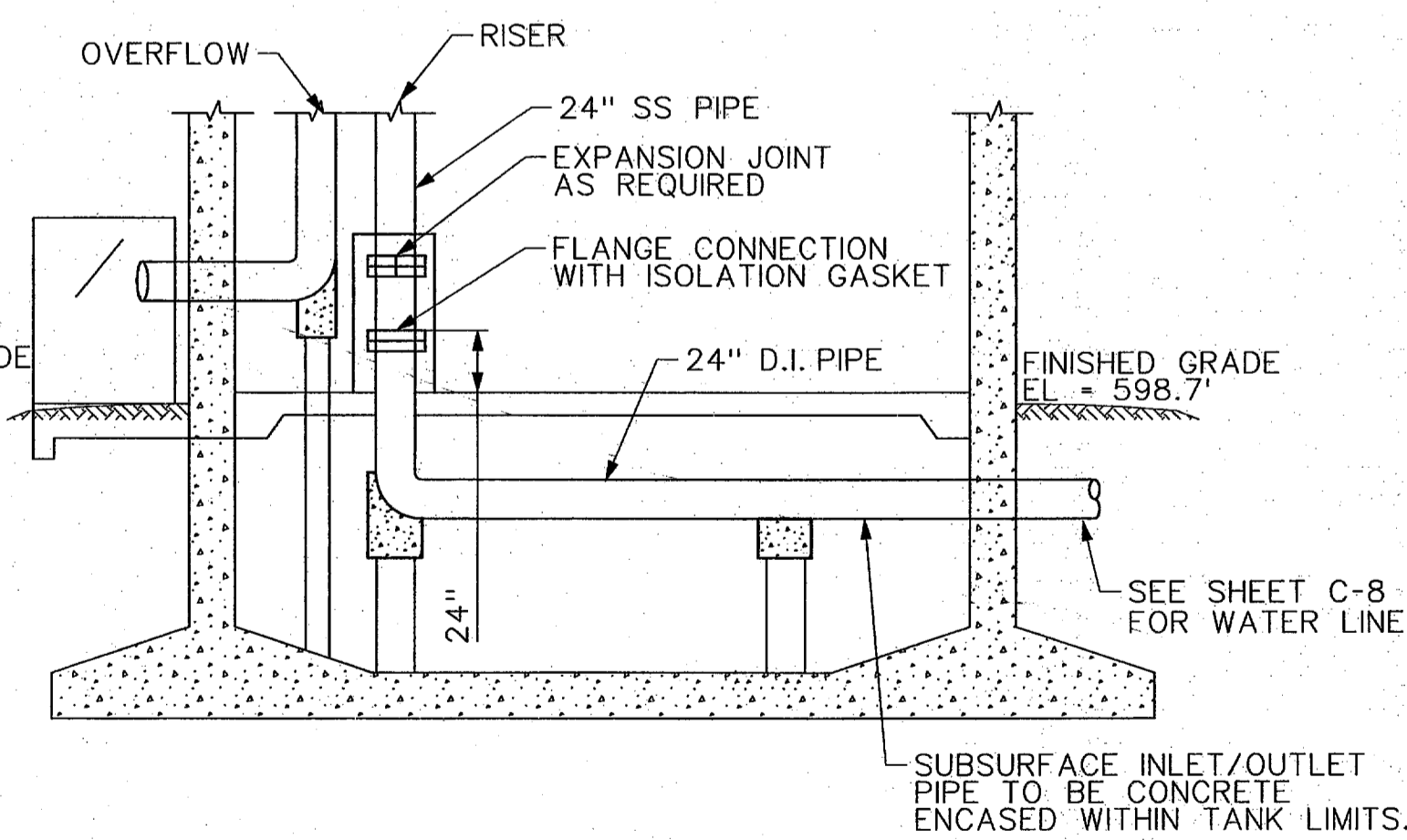
**1** TANK ELEVATION  
1/16" = 1'-0"



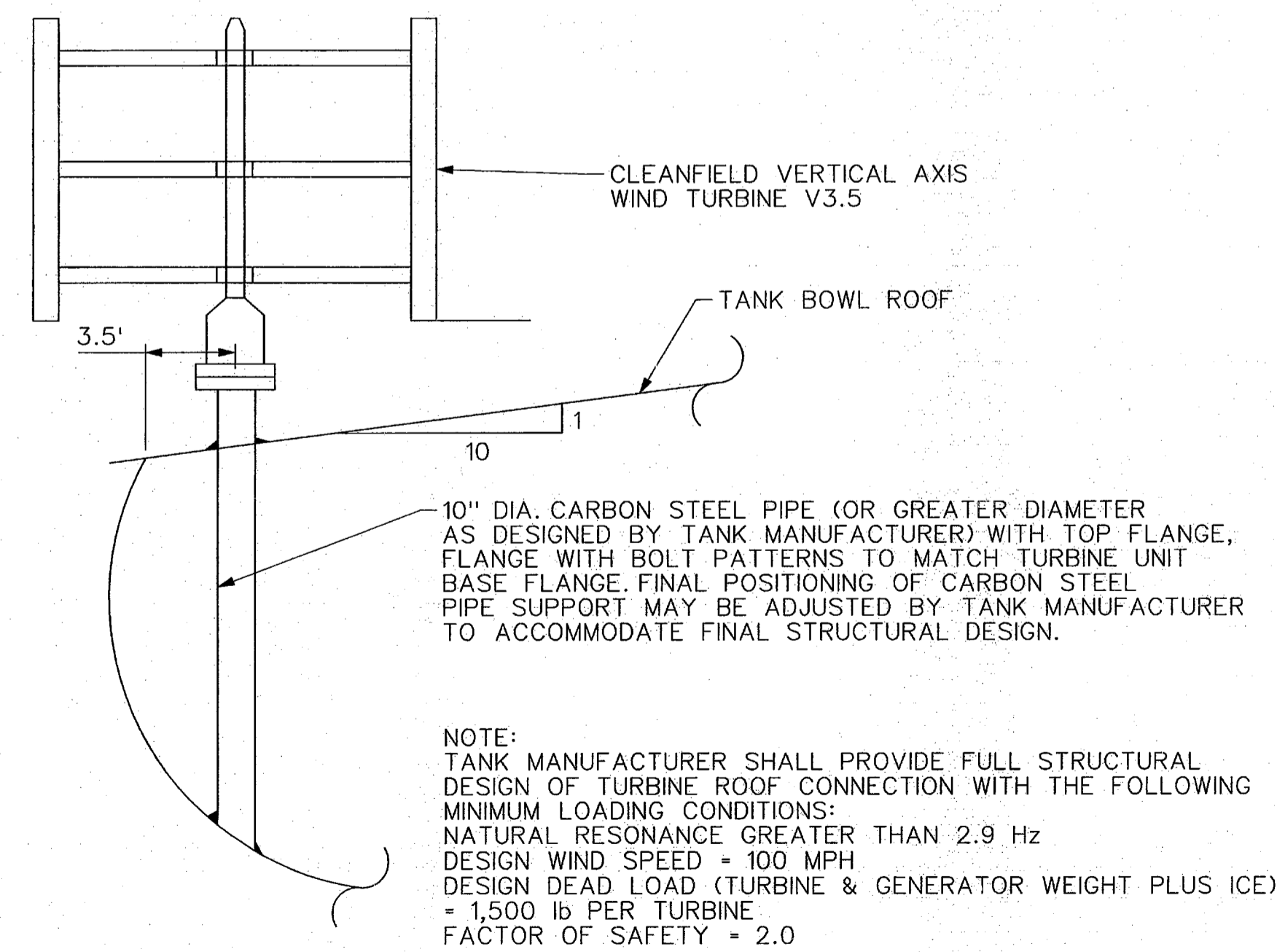
**2** ROOF PLAN  
1/16" = 1'-0"



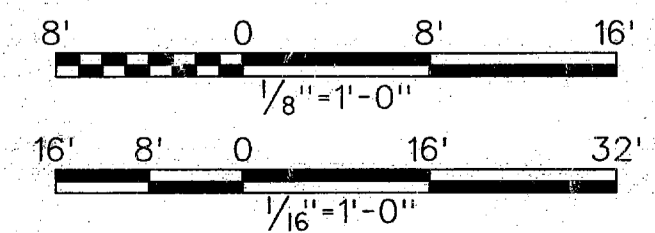
**3** PEDESTAL PLAN  
1/8" = 1'-0"



**4** SECTION TANK PIPING  
NOT TO SCALE



**5** TURBINE ROOF CONNECTION DETAIL  
NOT TO SCALE



MicroStation v8 User: amr Office: Denton  
 ADD08459 N:\P\Drawings\CV-EST-DT-TYP01.sht  
 Date: 01/19/2011 10:28:34 AM Project: Freese and Nichols, Inc.  
 34border.dgn  
 CV-EST-DT-TYP01.sht  
 CV-EST-DT-TYP01.sht  
 CV-EST-DT-TYP01.sht  
 CV-EST-DT-TYP01.sht  
 CV-EST-DT-TYP01.sht  
 CV-EST-DT-TYP01.sht  
 CV-EST-DT-TYP01.sht  
 CV-EST-DT-TYP01.sht  
 CV-EST-DT-TYP01.sht  
 CV-EST-DT-TYP01.sht  
 CV-EST-DT-TYP01.sht  
 CV-EST-DT-TYP01.sht

FREESE AND NICHOLS, INC.  
 TEXAS REGISTERED ENGINEERING FIRM F-2144

**FREESE AND NICHOLS**  
 2220 San Agustin Blvd., Suite 330  
 Denton, TX 76205  
 Phone: (817) 387-4600  
 Fax: (817) 387-4677  
 Web: www.freese.com

TOWN OF ADDISON, TEXAS  
**SURVEYOR 1.5 MG EST**  
 CIVIL  
**TANK PLAN & ELEVATION**  
 NO. ISSUES: \_\_\_\_\_  
 FAN JOB NO. ADD08459  
 DATE 01/21/11  
 DESIGNED DAT  
 DRAWN SB  
 REVISIONS:  
 NO. DATE BY  
 FILE NAME CV-EST-DT-TYP01.sht  
 VERIFY SCALE Bar is one inch on original drawing. If not one inch on this sheet, adjust scale.  
**DT-01**