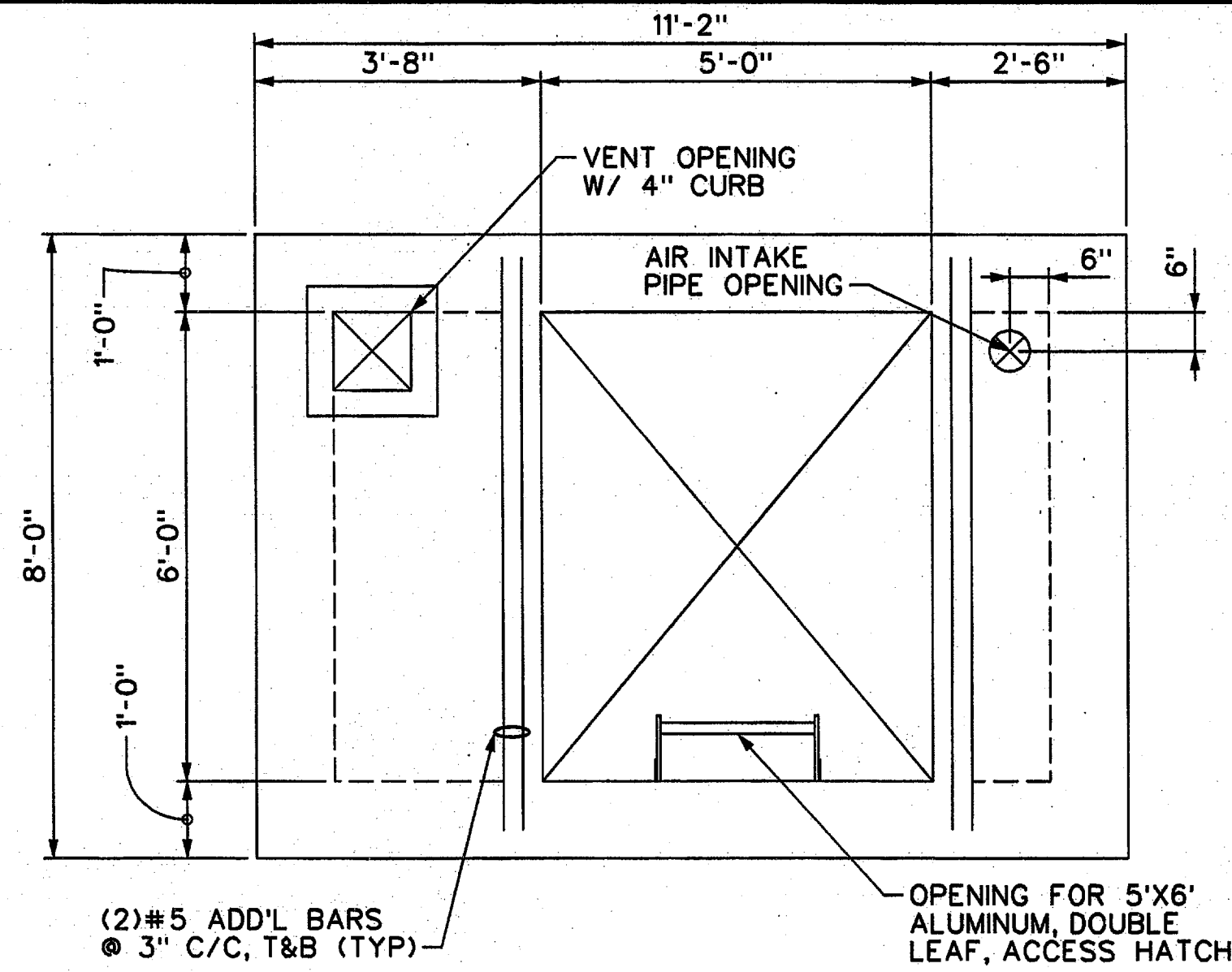
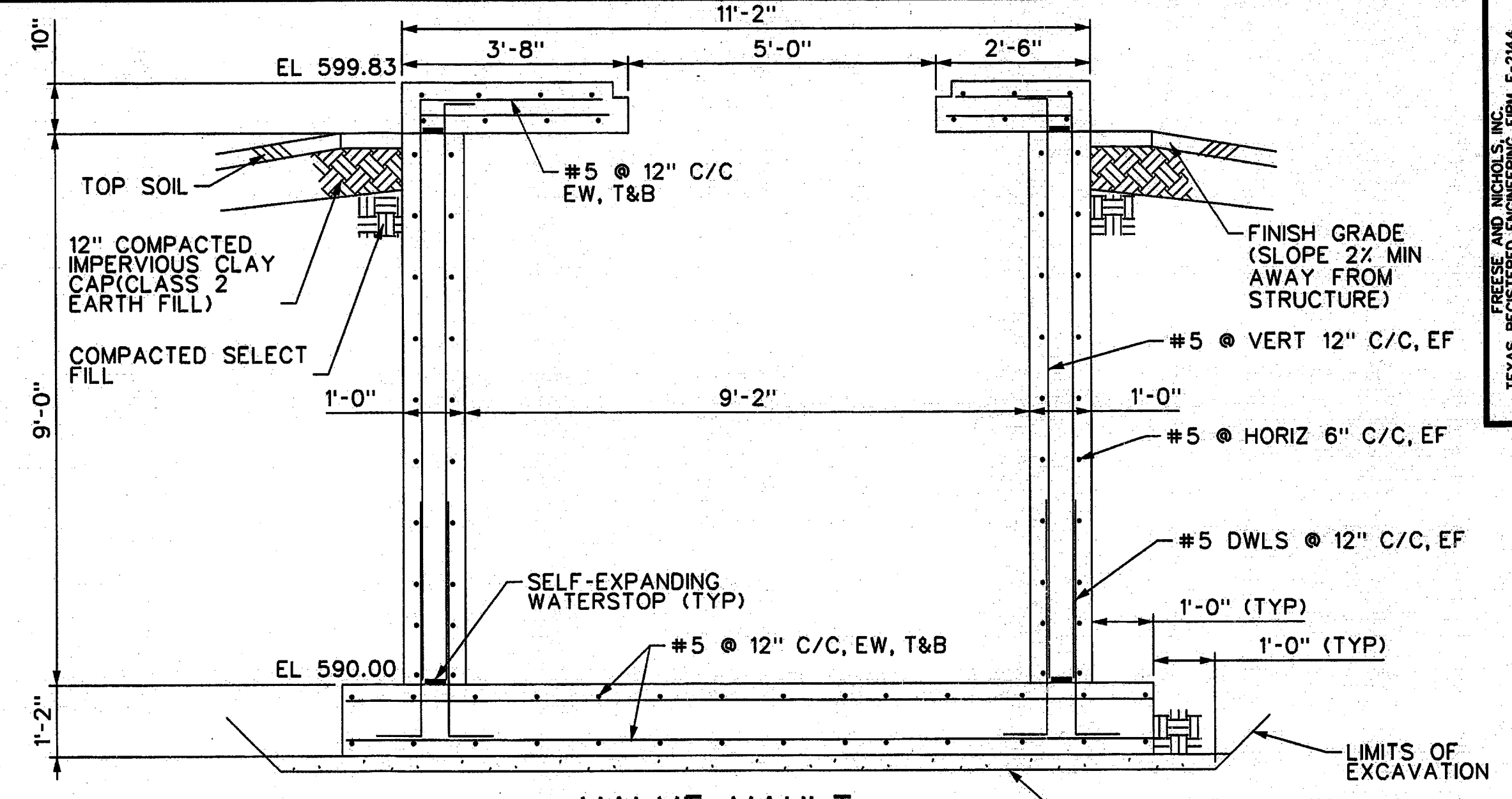


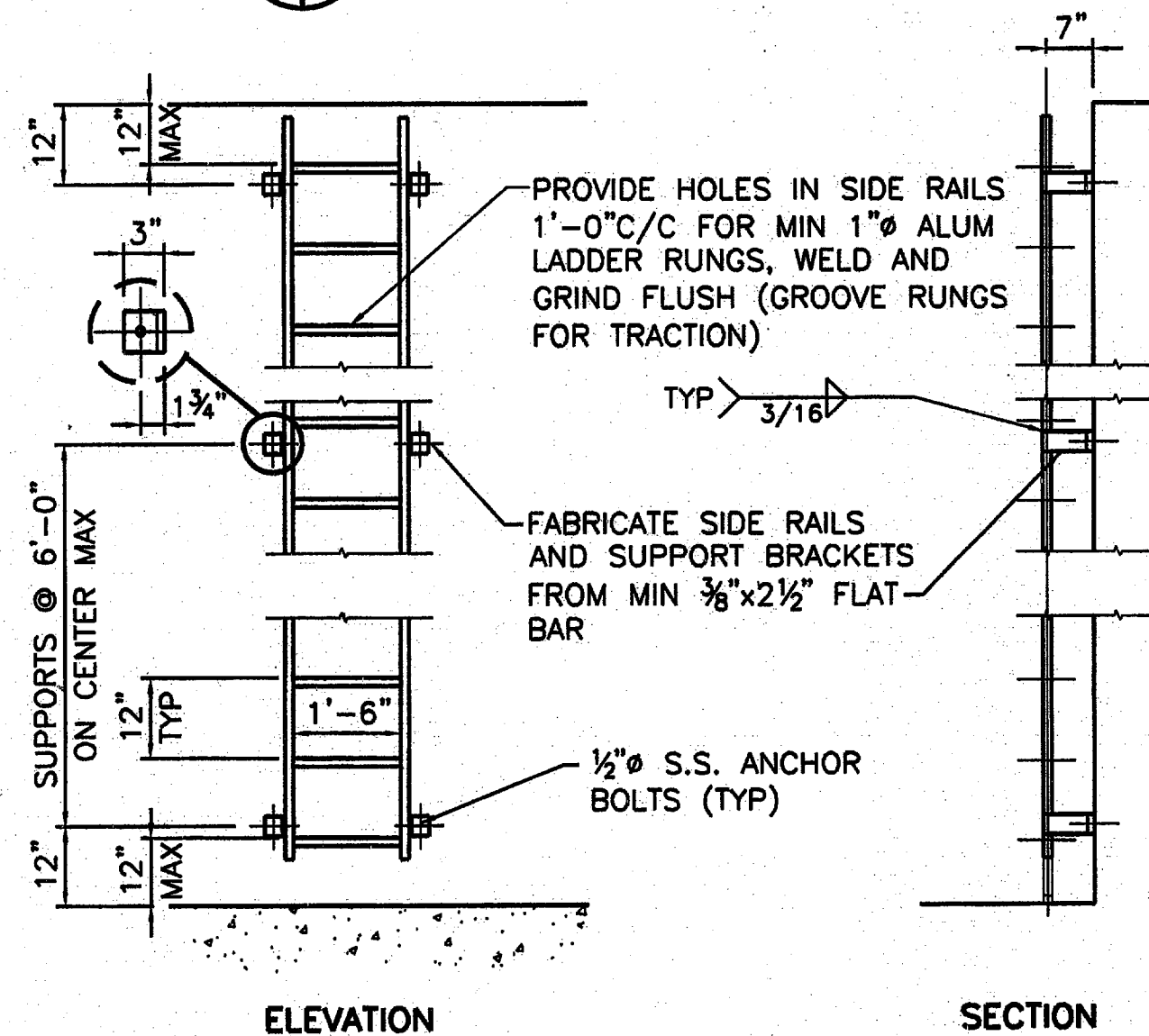
VALVE VAULT SECTIONAL PLAN
1/2" = 1'-0"



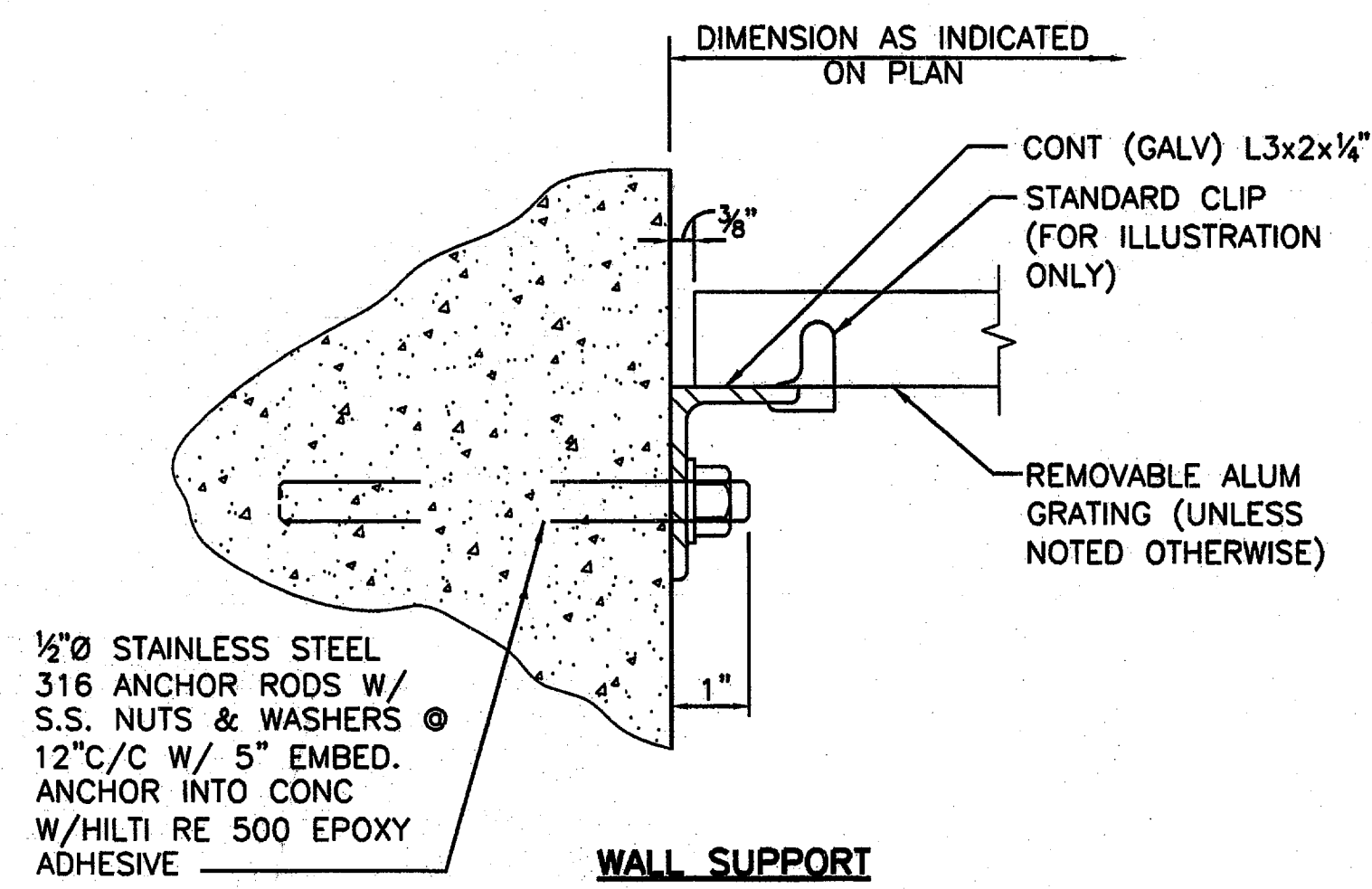
VALVE VAULT TOP PLAN
1/2" = 1'-0"



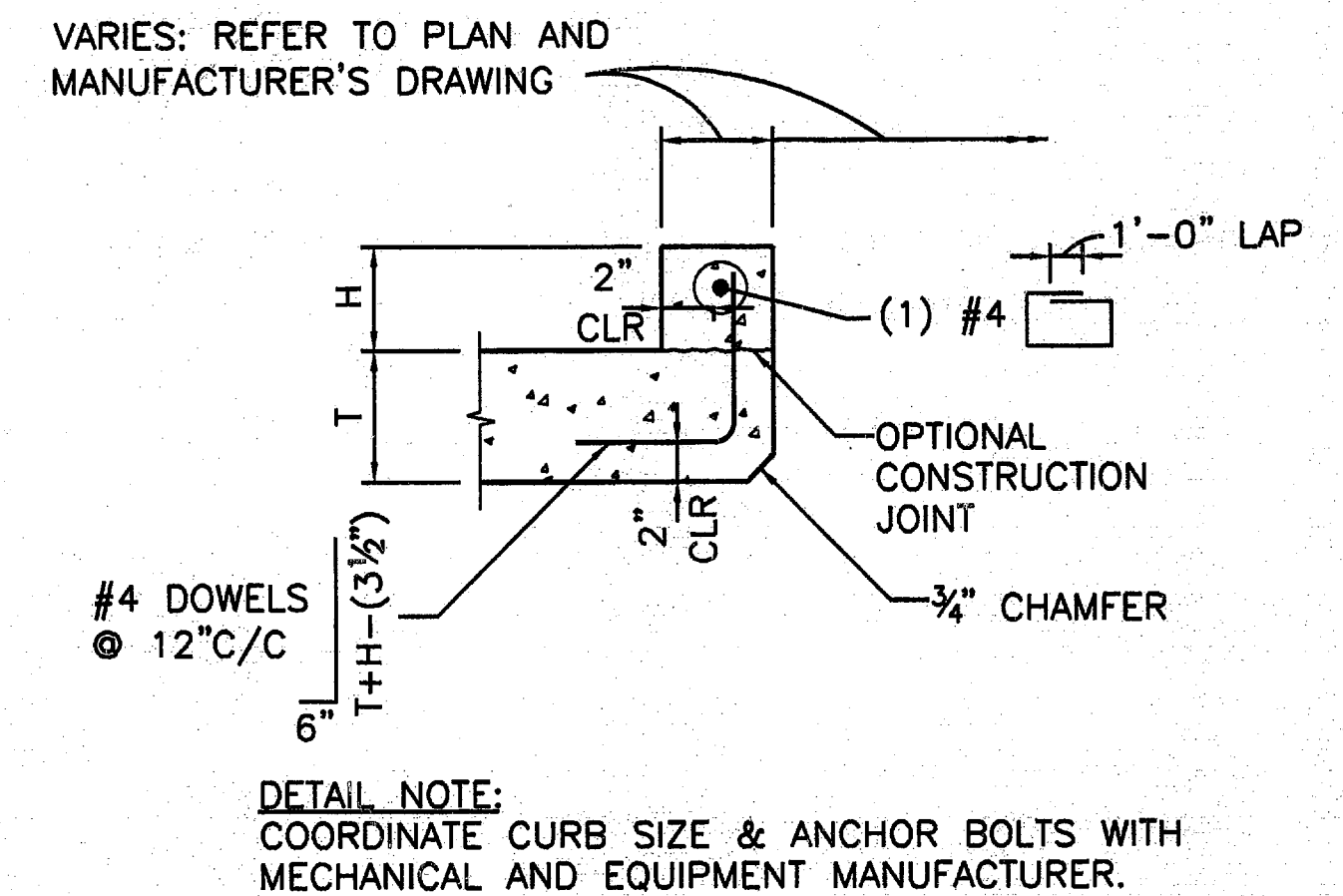
VALVE VAULT SECTION
1/2" = 1'-0"



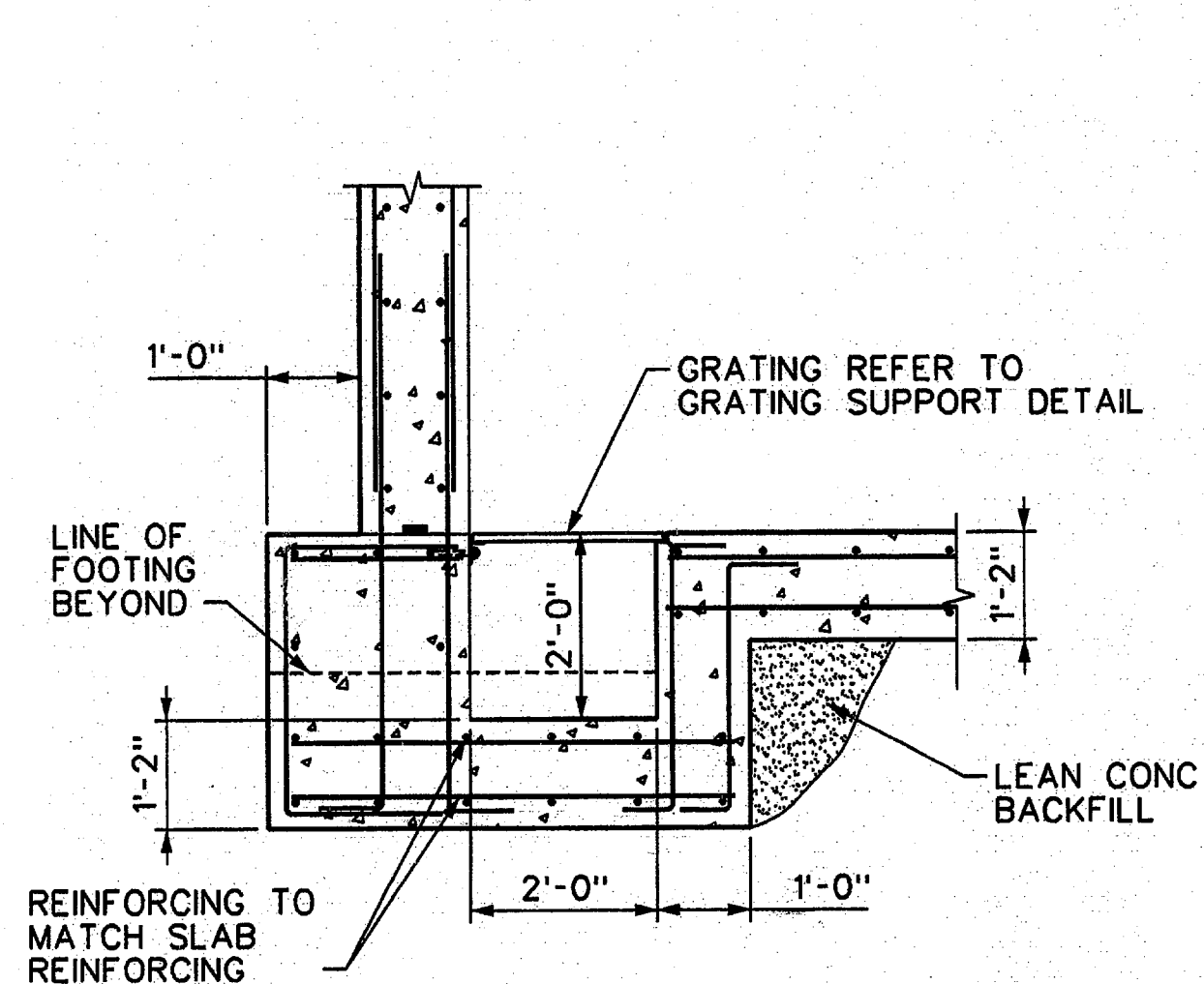
ALUMINUM LADDER
NOT TO SCALE



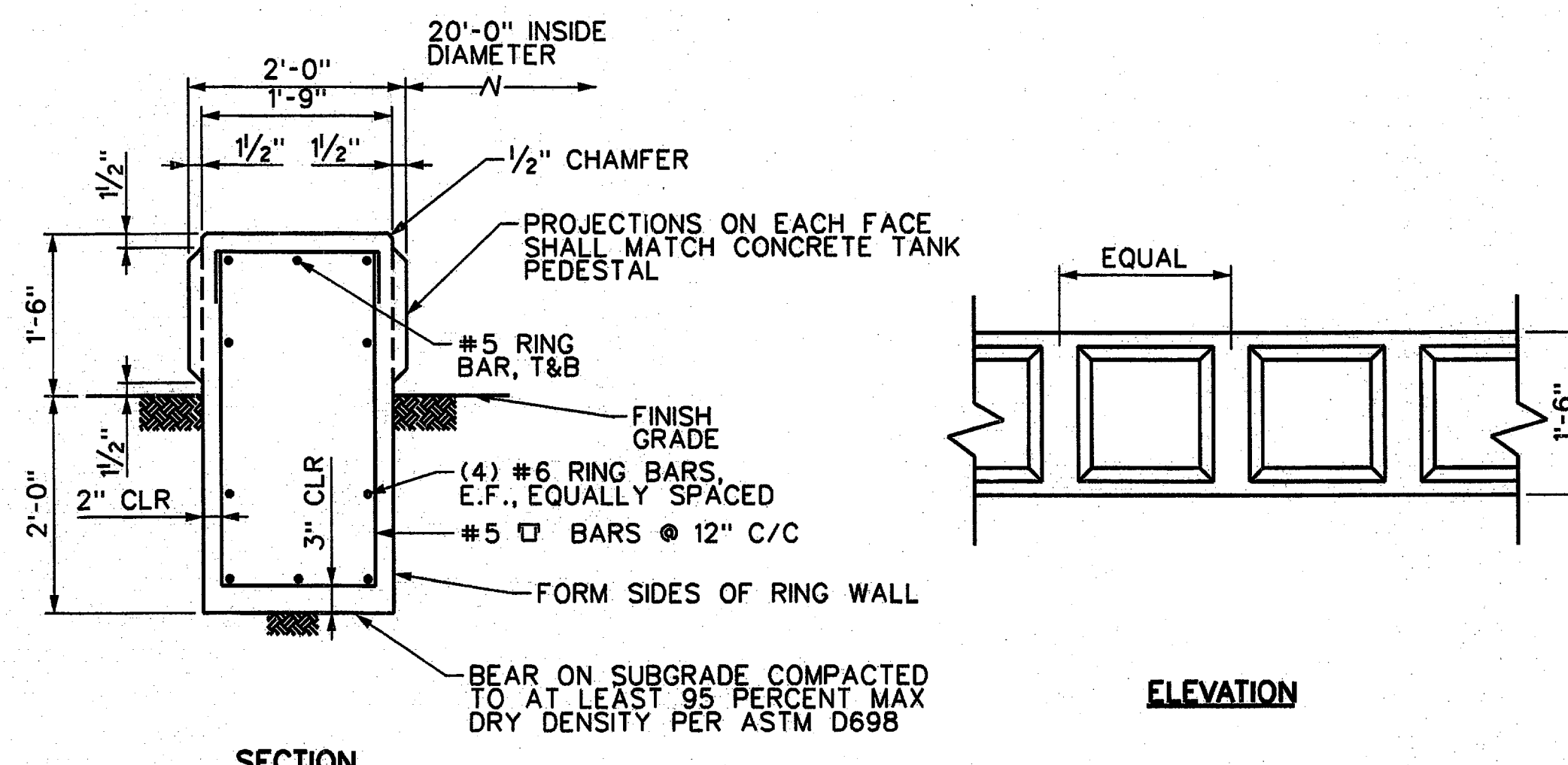
ALUMINUM GRATING SUPPORT DETAIL
NOT TO SCALE



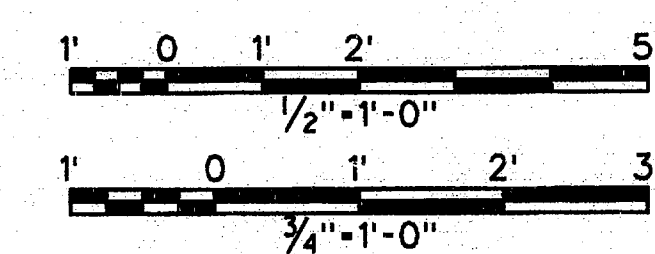
CURB AT VENT OPENING
NOT TO SCALE



SUMP PIT SECTION
1/2" = 1'-0"



LANDSCAPE WALL
3/4" = 1'-0"



TEXAS REGISTERED ENGINEERING FIRM F-2144
FRESE & NICHOLS, INC.
 2220 San Jacinto Blvd., Suite 330
 Dallas, TX 75201
 Phone: (940) 387-4600
 Fax: (940) 387-4677
 Web: www.frese.com
 Michael R. Watson, P.E.
 12-11

FRESE & NICHOLS
 2220 San Jacinto Blvd., Suite 330
 Dallas, TX 75201
 Phone: (940) 387-4600
 Fax: (940) 387-4677
 Web: www.frese.com

TOWN OF ADDISON, TEXAS
SURVEYOR 1.5 MG EST
 CIVIL
STRUCTURAL DETAILS

NO.	ISSUES	DATE	BY	DATE	DESIGNED	DRAWN	REVISION	CHECKED	RGK	FILE NAME
1										ST-EST-DT-TYP10.SHT

VERIFY SCALE: Bar is one inch on original drawing. If not one inch on this sheet, adjust scale.

SHEET **ST-01**

SEQ.

ST-EST-DT-TYP10.SHT
 34border.dgn
 MicroStation V8 User: KAC
 Office: Fort Worth
 01/18/2011 10:15:37 AM
 User: KAC
 File: N:\P\Drawings\ST-EST-DT-TYP10.SHT