

**FRESE & NICHOLS**  
 ARCHITECTURE  
 2220 San Jacinto Blvd., Suite 330  
 Denton, Texas 76205-7589  
 Phone - (940) 387-4600  
 Fax - (940) 387-4677

TOWN OF ADDISON, TEXAS

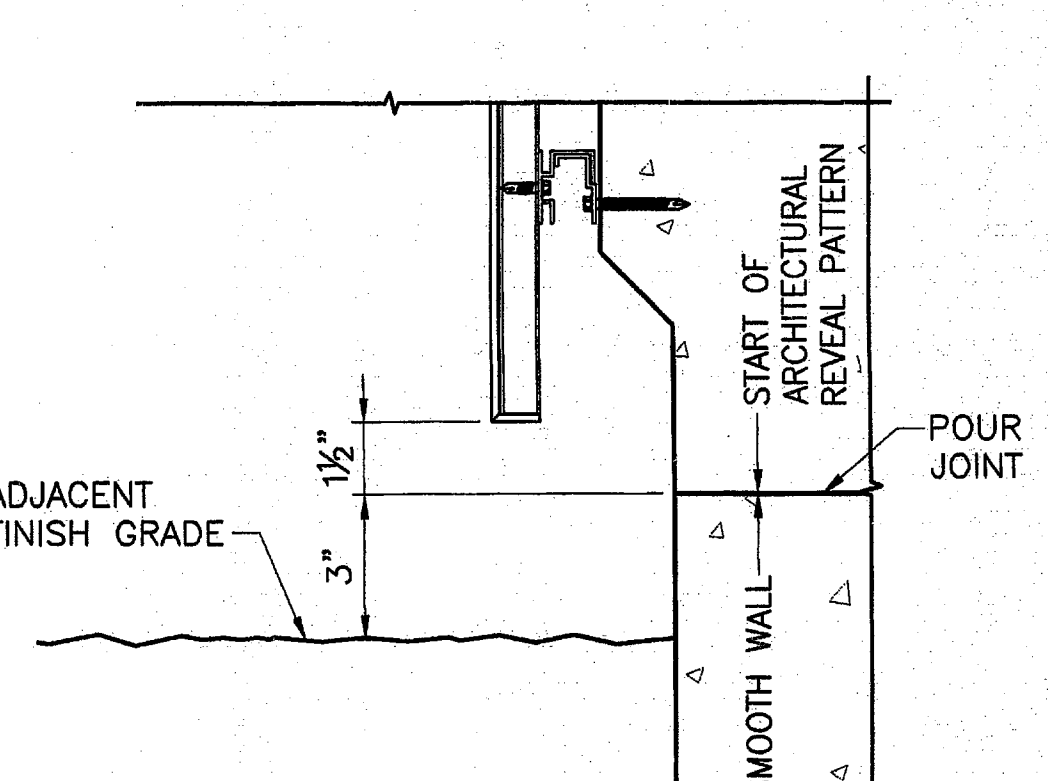
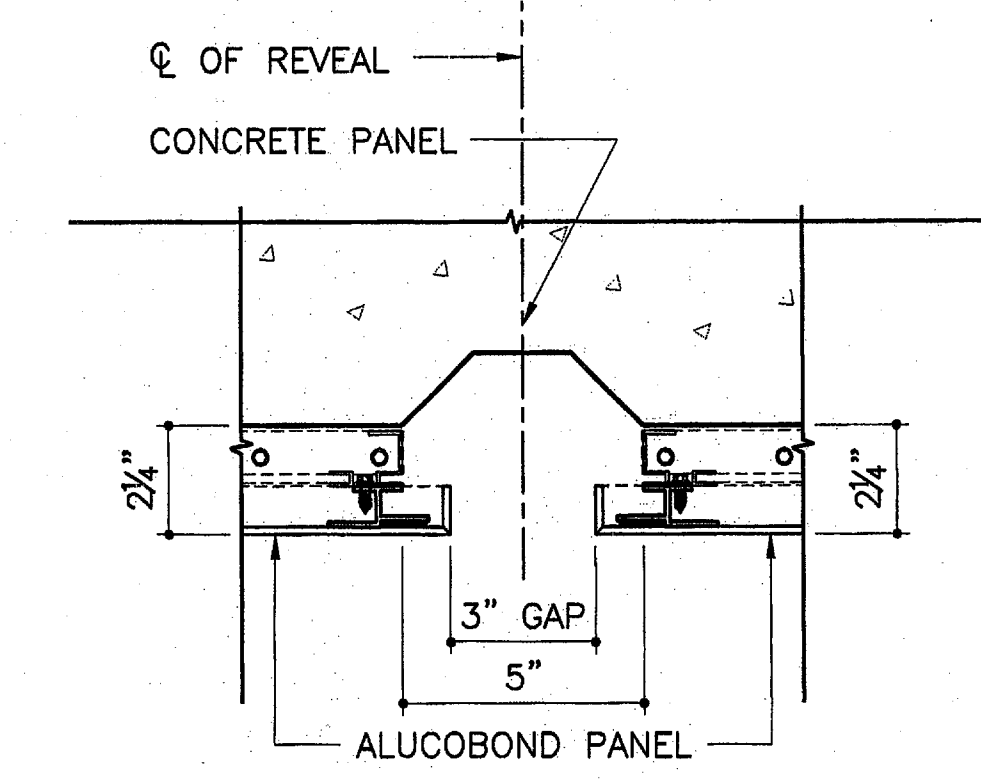
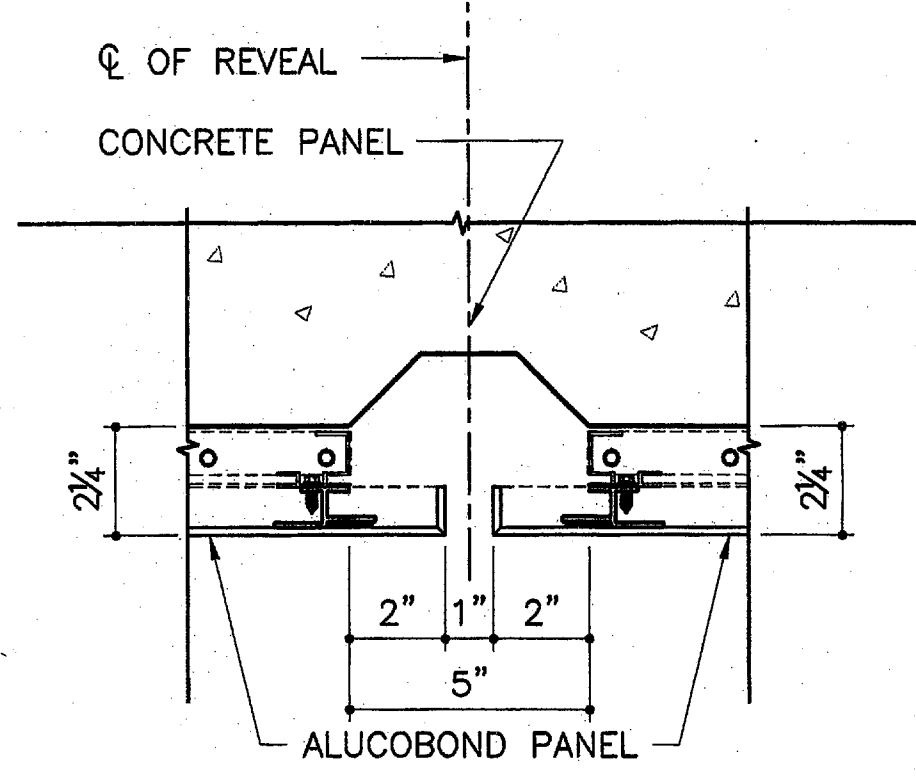
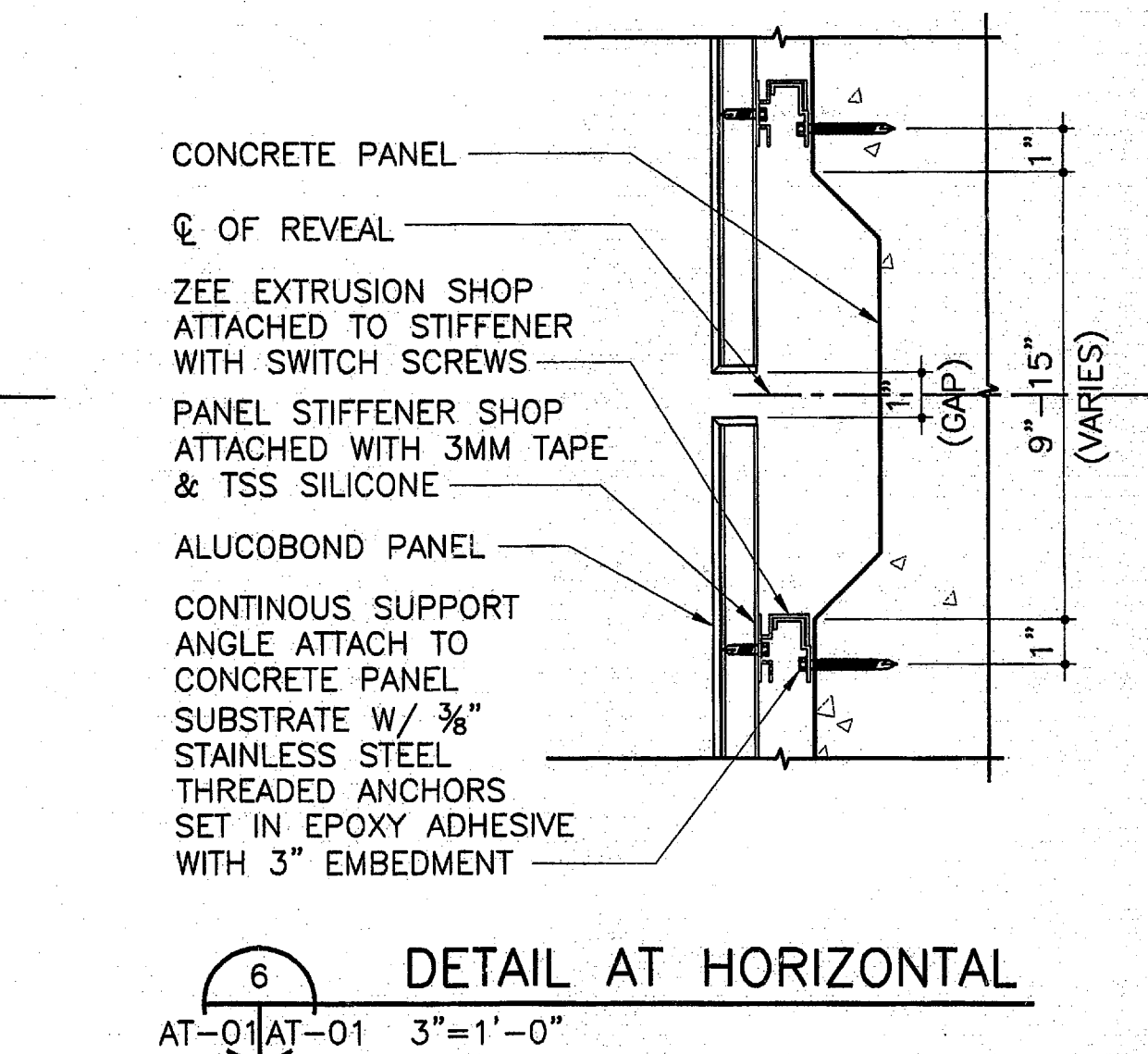
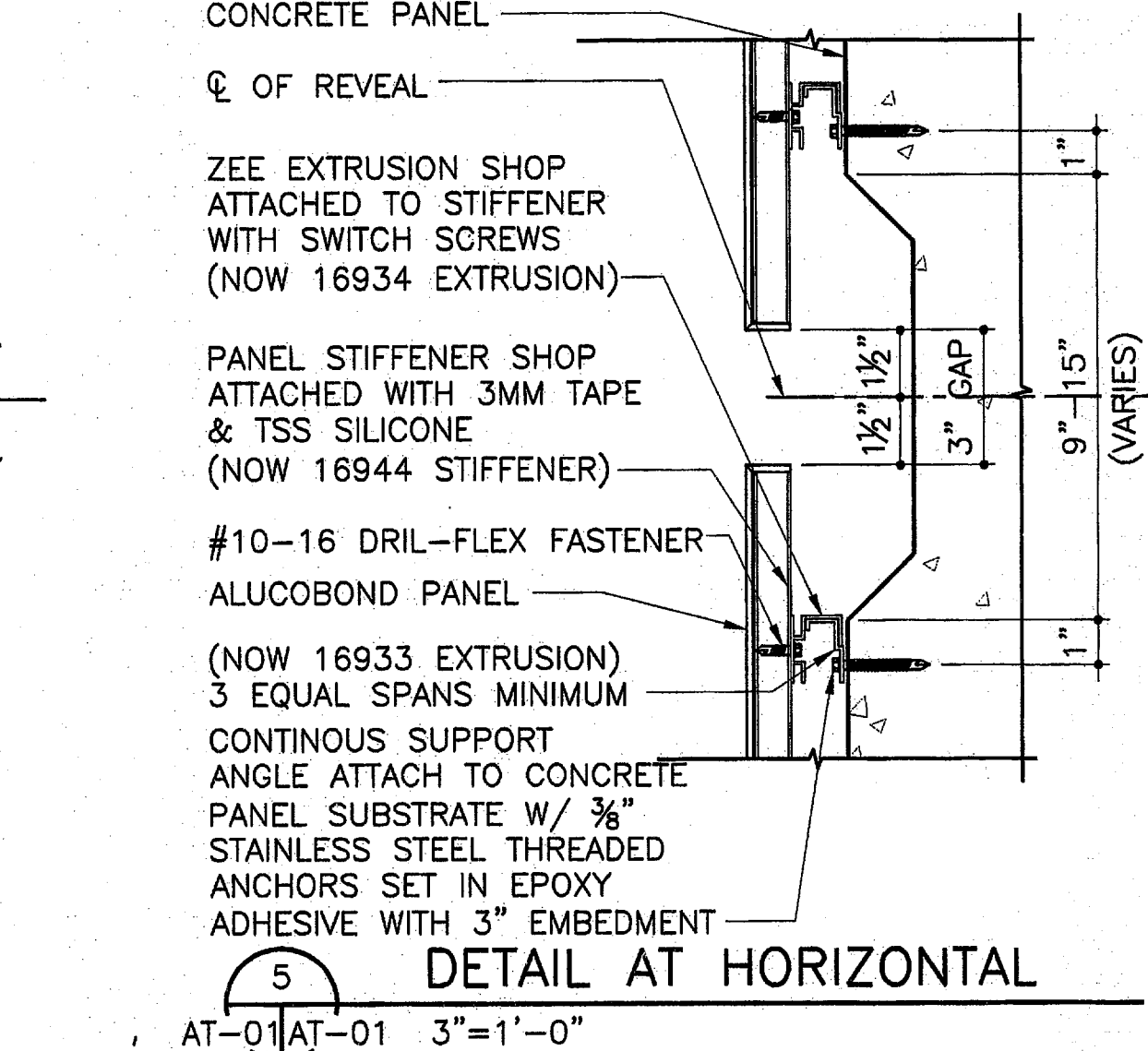
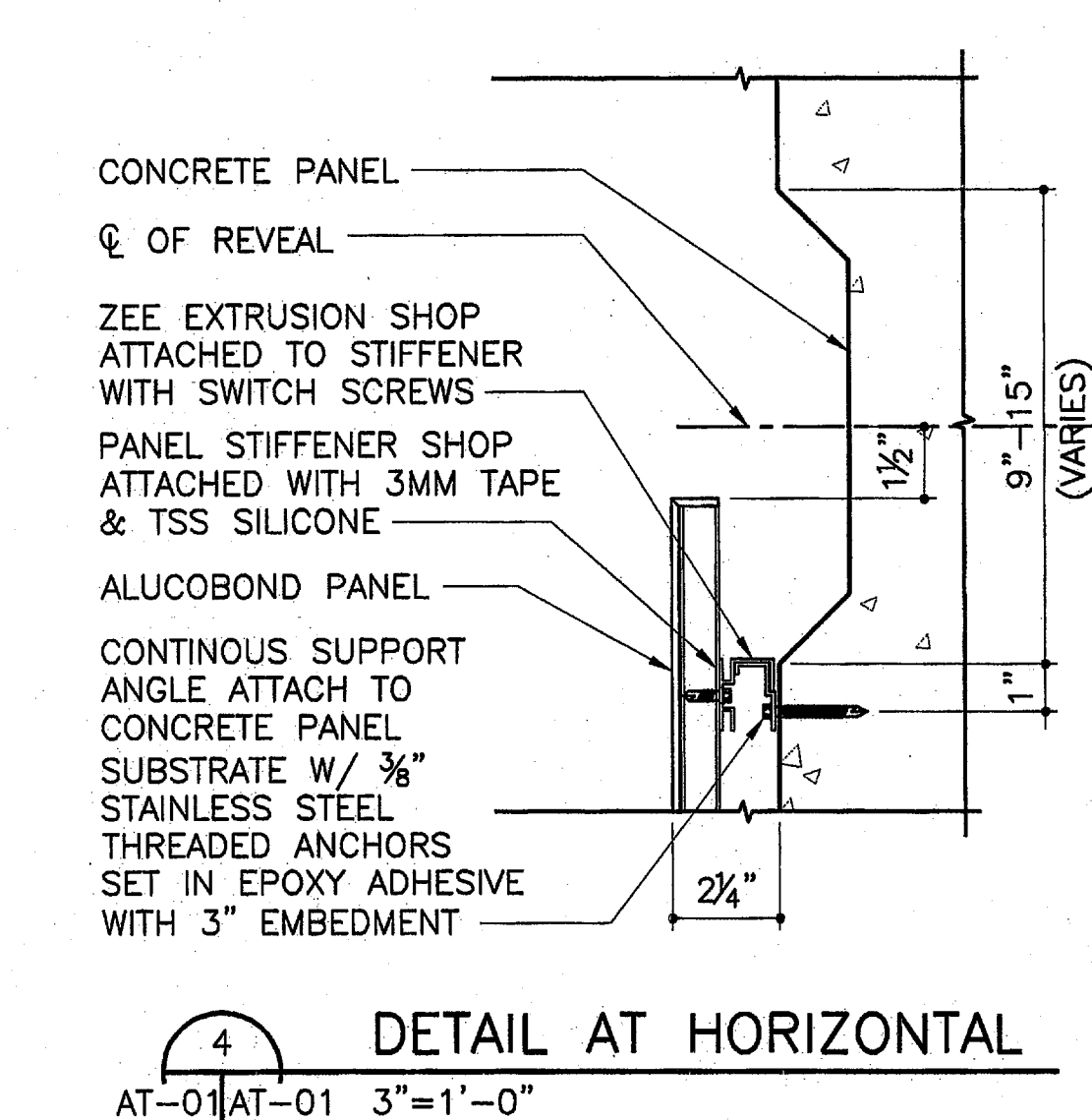
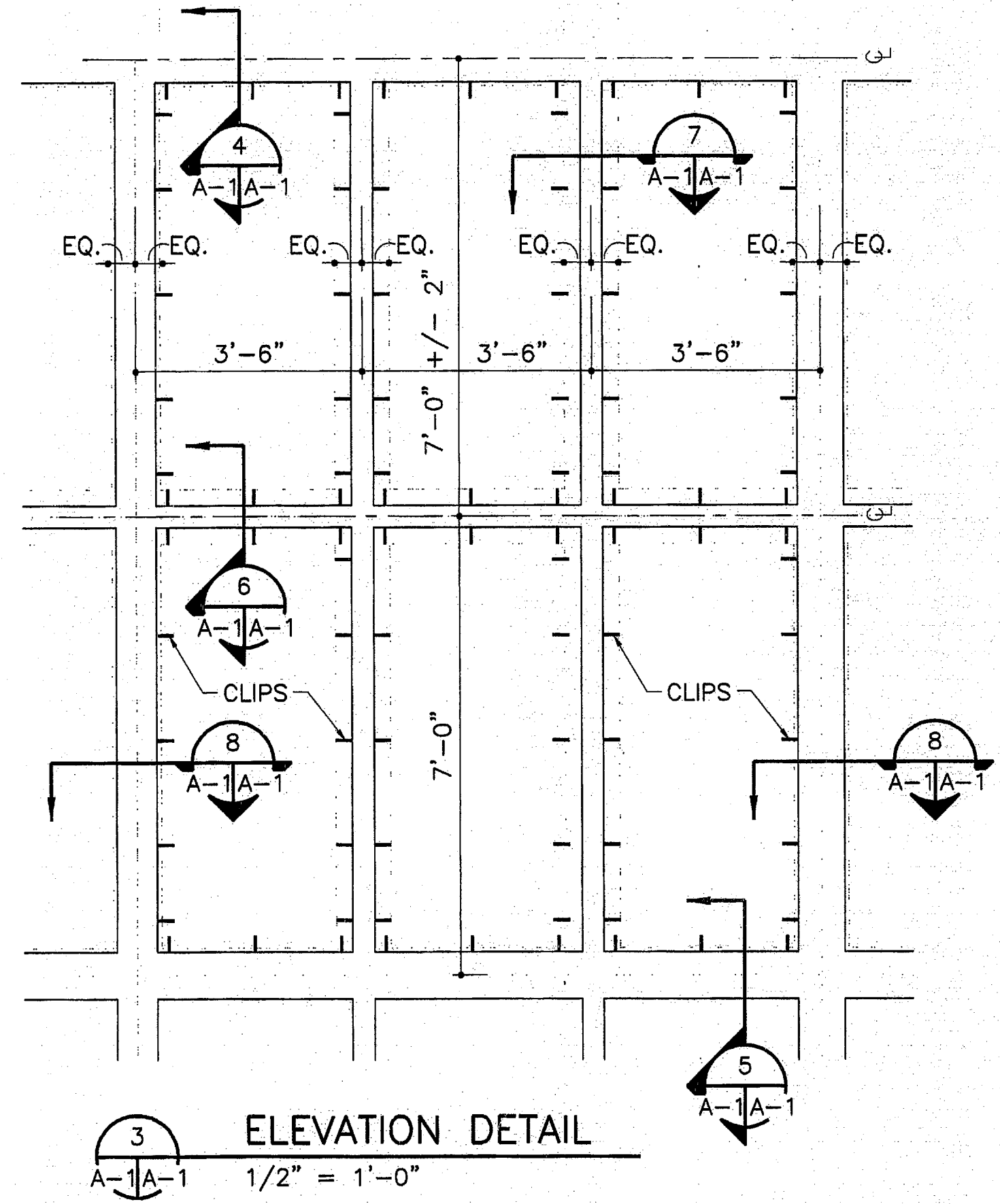
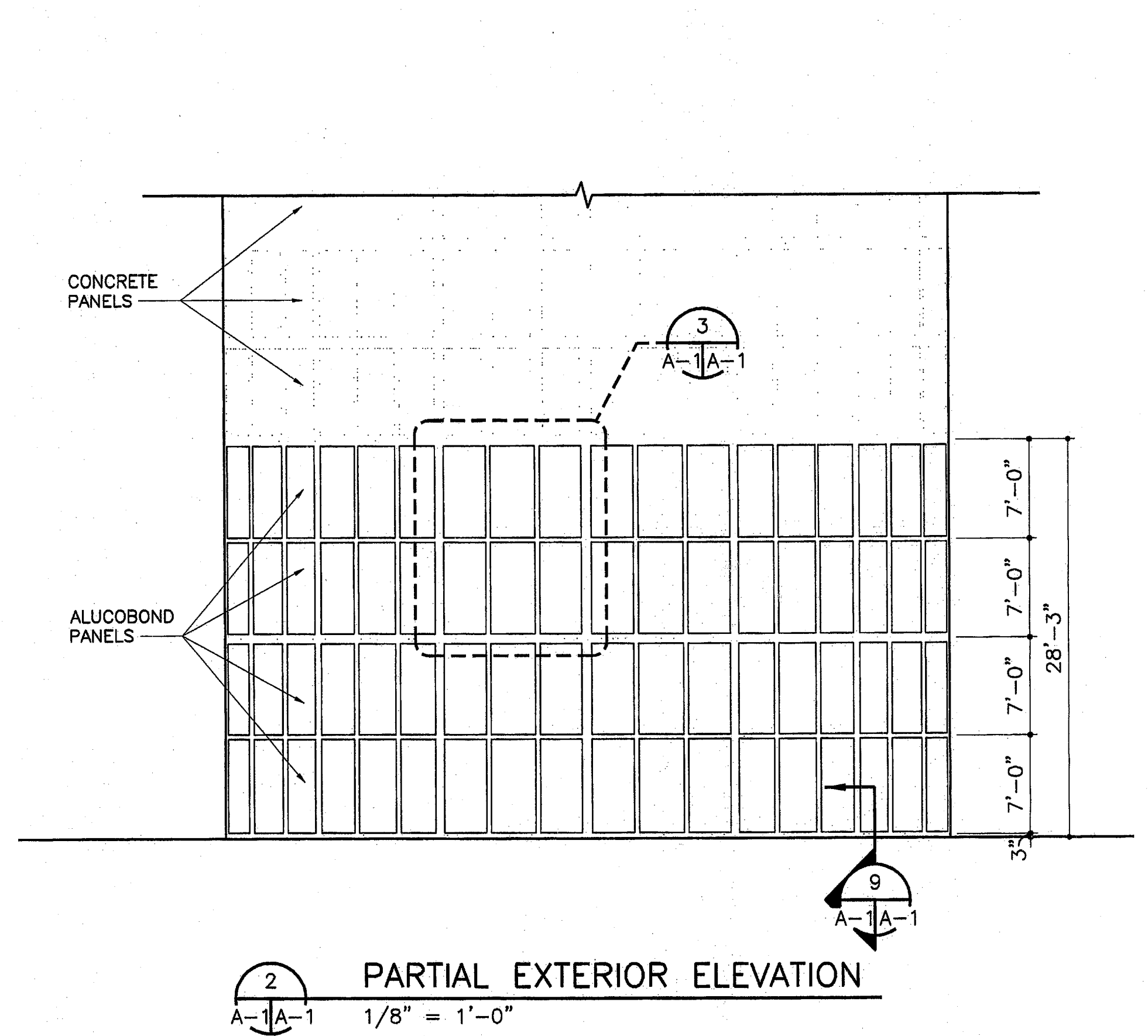
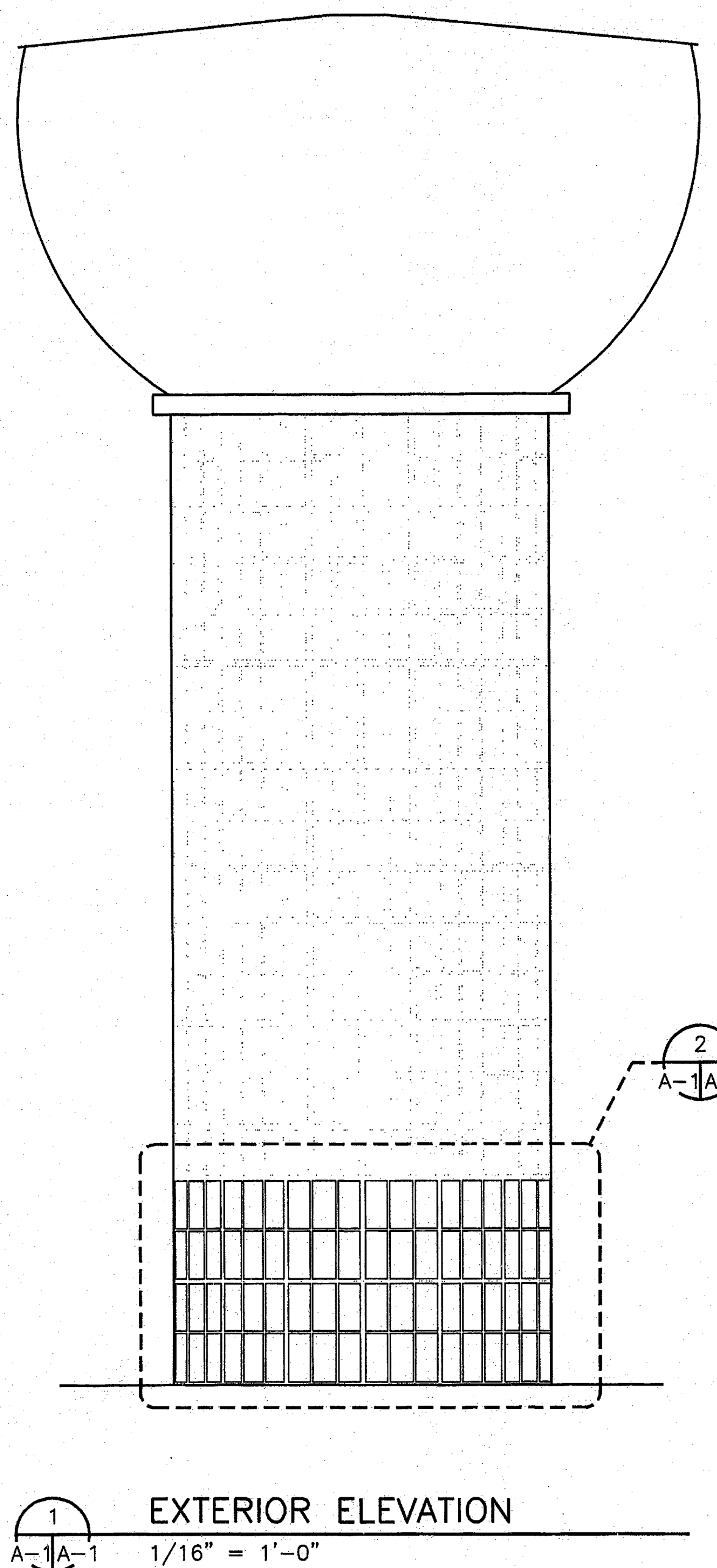
**SURVEYOR 1.5 MG EST**

ARCHITECTURE

**EXTERIOR ELEVATIONS AND DETAILS**

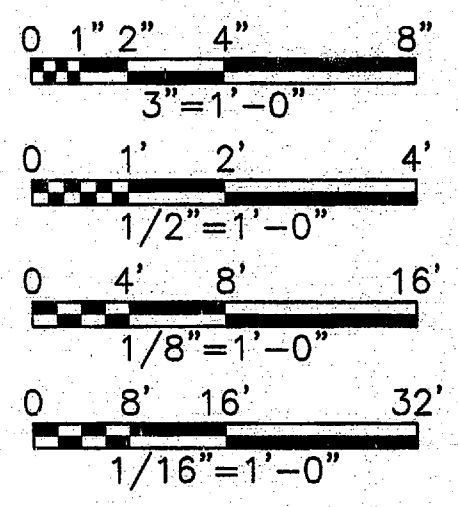
NO.	ISSUE	DATE	BY	DESCRIPTION

F&N JOB NO. ADD08459  
 DATE 01/21/11  
 DESIGNED  
 DRAWN  
 REVISED  
 CHECKED  
 FILE NAME cv-util-pl-tank2.dwg  
 VERIFY SCALE Bar is one inch on original drawing, if not one inch on this sheet, adjust scale.  
 SHEET **AT-01**  
 SEQ.



**GENERAL NOTES**

- FIELD VERIFY PANEL LOCATIONS BEFORE FABRICATION.
- REFER 5/AT-01 FOR PART NUMBERS (TYP).



User: ck  
 File: N:\Arc\cv-util-pl-tank2.dwg  
 Date: Jan 14, 2011 - 9:14am  
 User: ck  
 File: N:\Arc\cv-util-pl-tank2.dwg