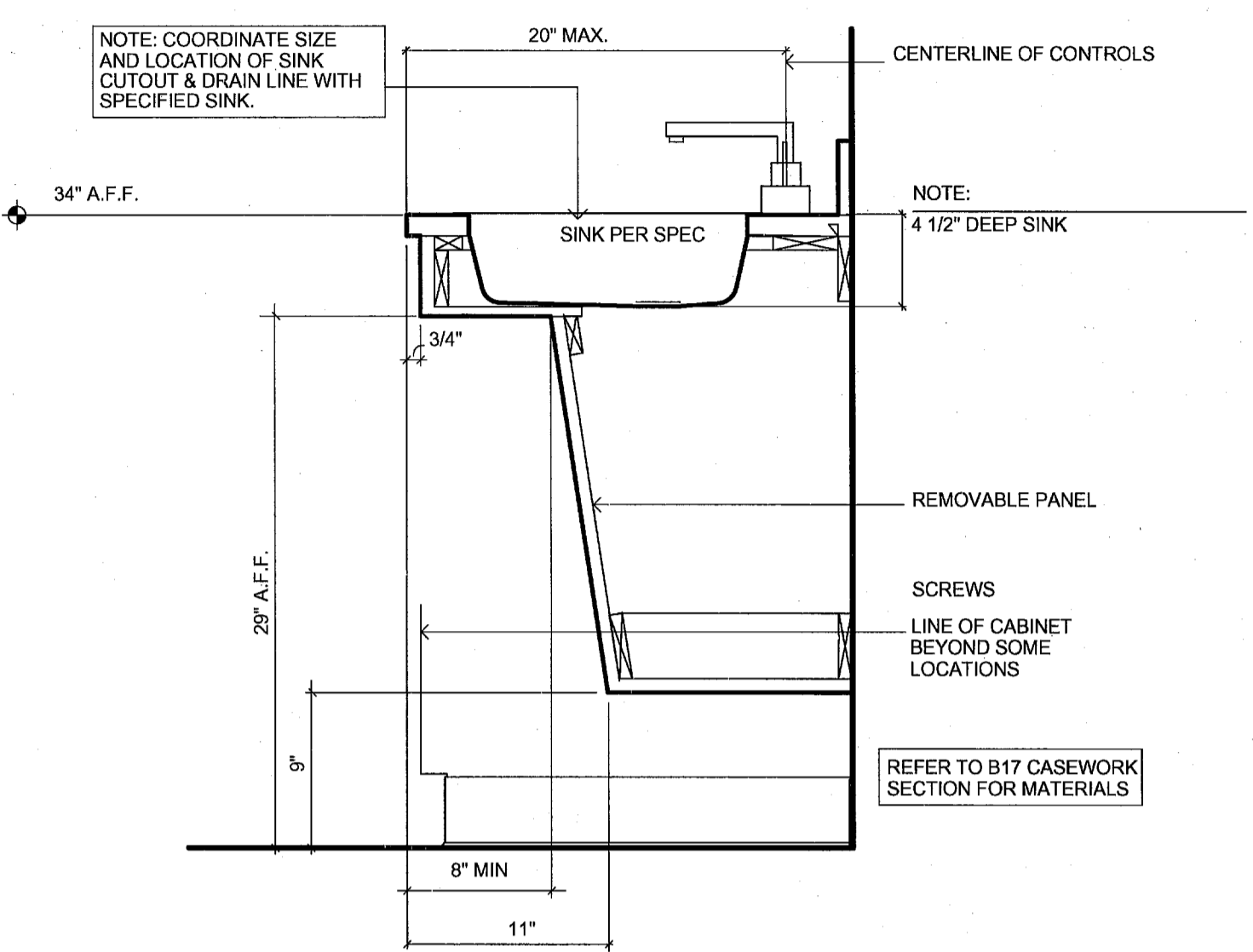
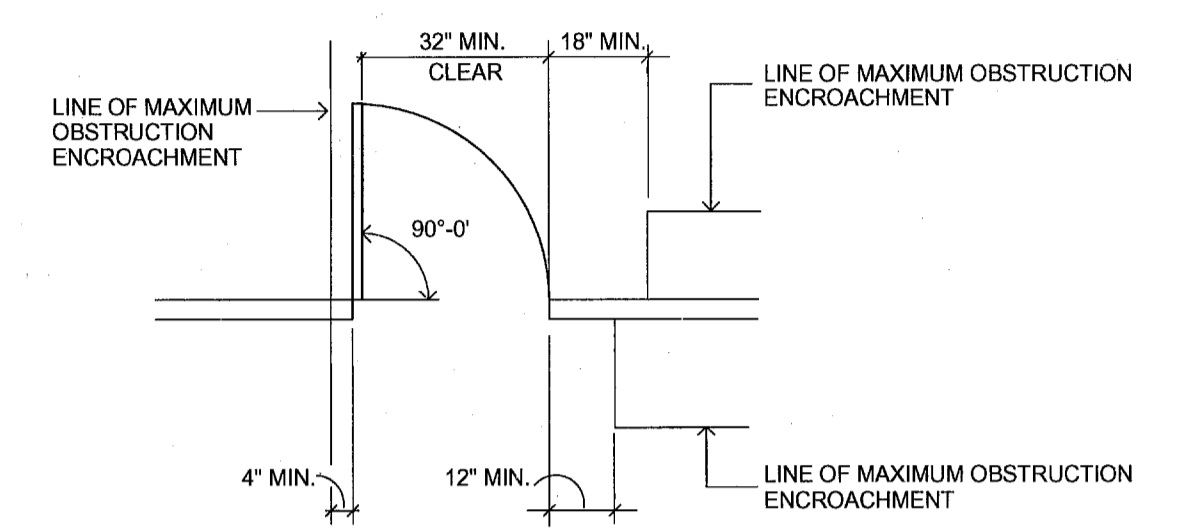


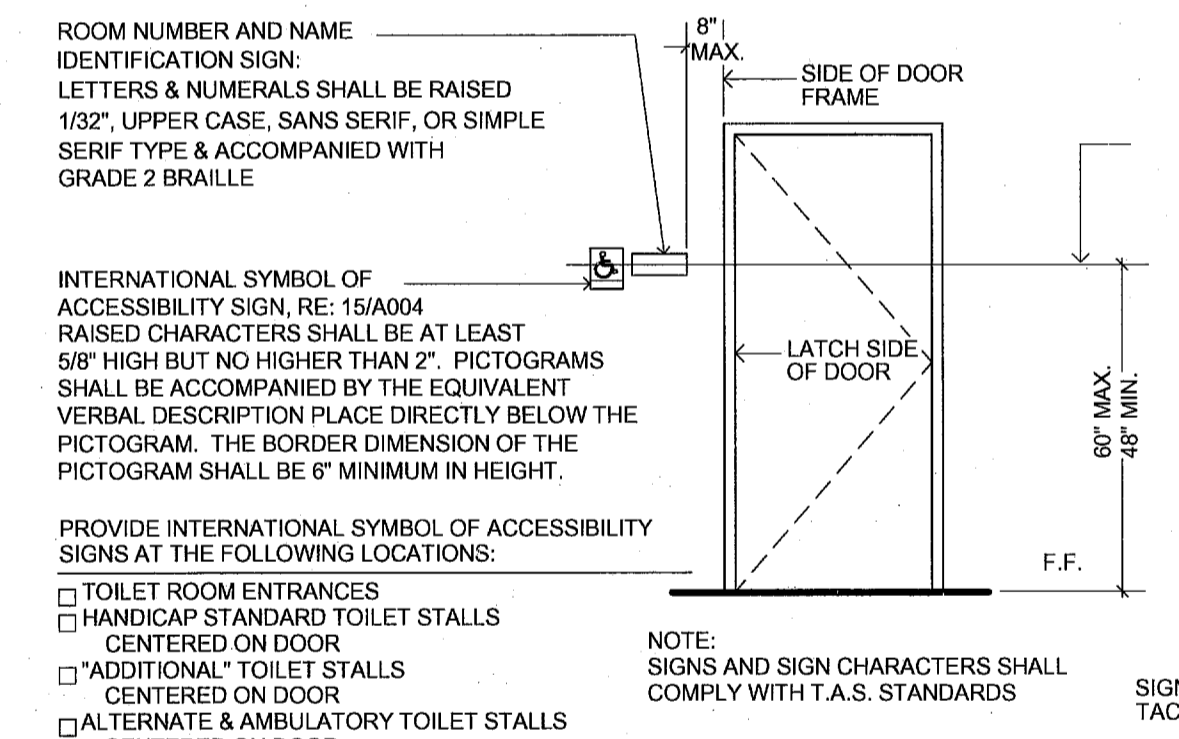
**1 ACCESSIBLE TOILET WITHOUT STALL**  
SCALE: 3/8"=1'-0"



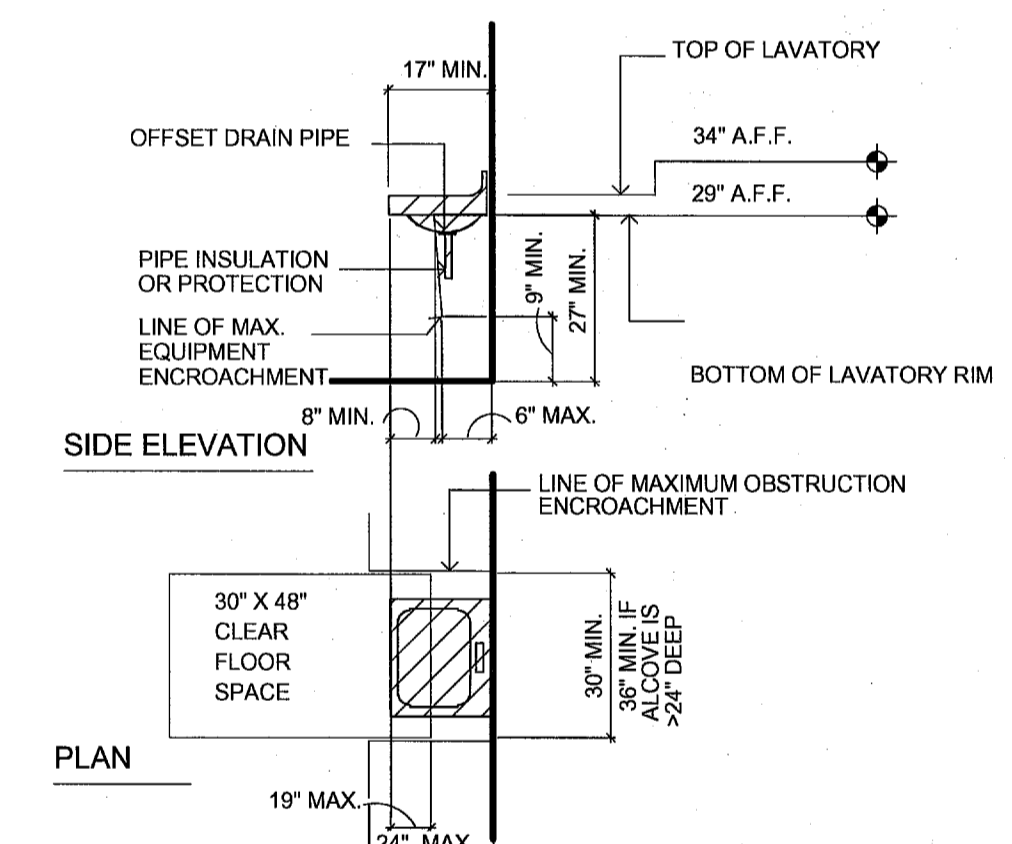
**2 ACCESSIBLE SINK**  
SCALE: 1 1/2"=1'-0"  
NOTE: REFER ARCHITECTURAL FLOOR PLANS FOR LOCATION OF ACCESSIBLE SINKS (ACCESSIBLE SINKS ARE INDICATED BY SHADING)



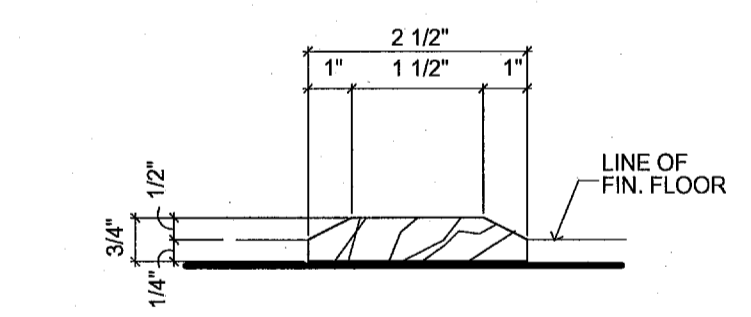
**3 ACCESSIBLE DOOR DIAGRAM**  
SCALE: 3/8"=1'-0"



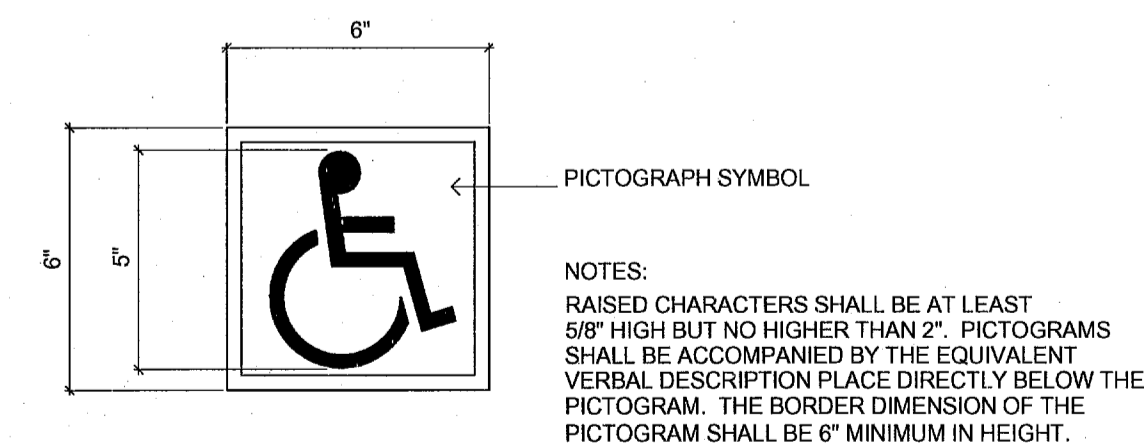
**4 DOOR / ENTRANCE SIGN**  
SCALE: 3/8"=1'-0"



**5 ACCESSIBLE LAVATORY**  
SCALE: 3/8"=1'-0"  
NOTE: REFER ARCHITECTURAL FLOOR PLANS FOR LOCATION OF ACCESSIBLE FIXTURES (ACCESSIBLE FIXTURES ARE INDICATED BY SHADING)



**6 MARBLE THRESHOLD**  
SCALE: 6"=1'-0"



**7 INTERNATIONAL SYMBOL OF ACCESSIBILITY**  
SCALE: 3"=1'-0"

TOILET FIXTURES & ACCESSORIES		INDICATES HANDICAP ACCESSIBLE FIXTURE	
MOUNTING HEIGHTS		REF. T.A.S. / A.D.A. GUIDELINES	
TOILET SEAT HEIGHT	15" ALL	MIRROR MOUNTING HEIGHT AT SINGLE OCCUPANCY TOILET	48" ALL
FLUSH CONTROL SEAT HEIGHT	44" MAX. ABOVE F.F. 18" ABOVE F.F.	ACCESSIBLE MIRROR CONTROLS LOCATION	40" A.F.F. 46" ALL
GRAB BAR	34" ABOVE F.F.	FEMININE NAPKIN DISPENSER	42" ALL
LAVATORY TOP OF LAVATORY	30" A.F.F.	ACCESSIBLE SOAP DISPENSER	42" ALL
ACCESSIBLE LAVATORY BOTTOM OF LAVATORY RIM	34" A.F.F. 29" MIN. A.F.F.	FEMININE NAPKIN DISPOSAL	24" ALL
PAPER TOWEL DISPENSER	46" A.F.F.	SOAP DISH	46" ALL
SOAP DISPENSER	46" A.F.F.	TOWEL BAR	42" ALL

**GENERAL NOTE:**  
DETAILS SHOWN ON THIS SHEET ARE TYPICAL AND APPLY TO WHEREVER CONDITION SHOWN IN DETAIL OCCURS.

GENERAL DEVICES & ACCESSORIES		MOUNTING HEIGHTS		REF. T.A.S. / A.D.A. GUIDELINES	
NAME & DESCRIPTION	HEIGHT ABOVE FINISHED FLOOR	NAME & DESCRIPTION	HEIGHT ABOVE FINISHED FLOOR	NAME & DESCRIPTION	HEIGHT ABOVE FINISHED FLOOR
LIGHT SWITCHES, THERMOSTATS, WALL MOUNTED COMMUNICATION AND FIRE ALARM PULL DEVICES	48" SIDE APPROACH	BUILDING PLAQUE	60"	ROOM NAME AND/OR ROOM NUMBER SIGNAGE	60" MAX. 48" MIN.
ELECTRICAL OUTLETS, TELEPHONE OUTLETS, & DATA RECEPTACLES	15"	FIRE EXTINGUISHER CABINET	48"	DOOR HARDWARE	DOOR KNOB OR LEVER: 38" DOOR PULL: 42" PANIC BAR: 38"
TOILET ROOM ENTRANCES		ROOM NAME AND/OR ROOM NUMBER SIGNAGE	60" MAX. 48" MIN.		
HANDICAP STANDARD TOILET STALLS					
"ADDITIONAL" TOILET STALLS					
ALTERNATE & AMBULATORY TOILET STALLS					



WRA Architects, Inc.  
15711 North Loop West  
Suite 1000  
Dallas, Texas 75241  
214.750.0077  
www.wraarchitects.com

**FREESSE & NICHOLS ARCHITECTURE**  
2220 San Jacinto Blvd., Suite 330  
Denton, Texas 76205  
Phone - (940) 387-4600  
Fax - (940) 387-4677  
Web - www.freesse.com

Town of Addison, Texas  
**SURVEYOR 1.5 MG EST**  
ARCHITECTURE  
**Accessibility**

NO.	DATE	BY	ISSUE	FILE NAME	VERIFY SCALE
					Bar is one inch on original drawing. If not one inch on this sheet, adjust scale.
SHEET					
A-100					