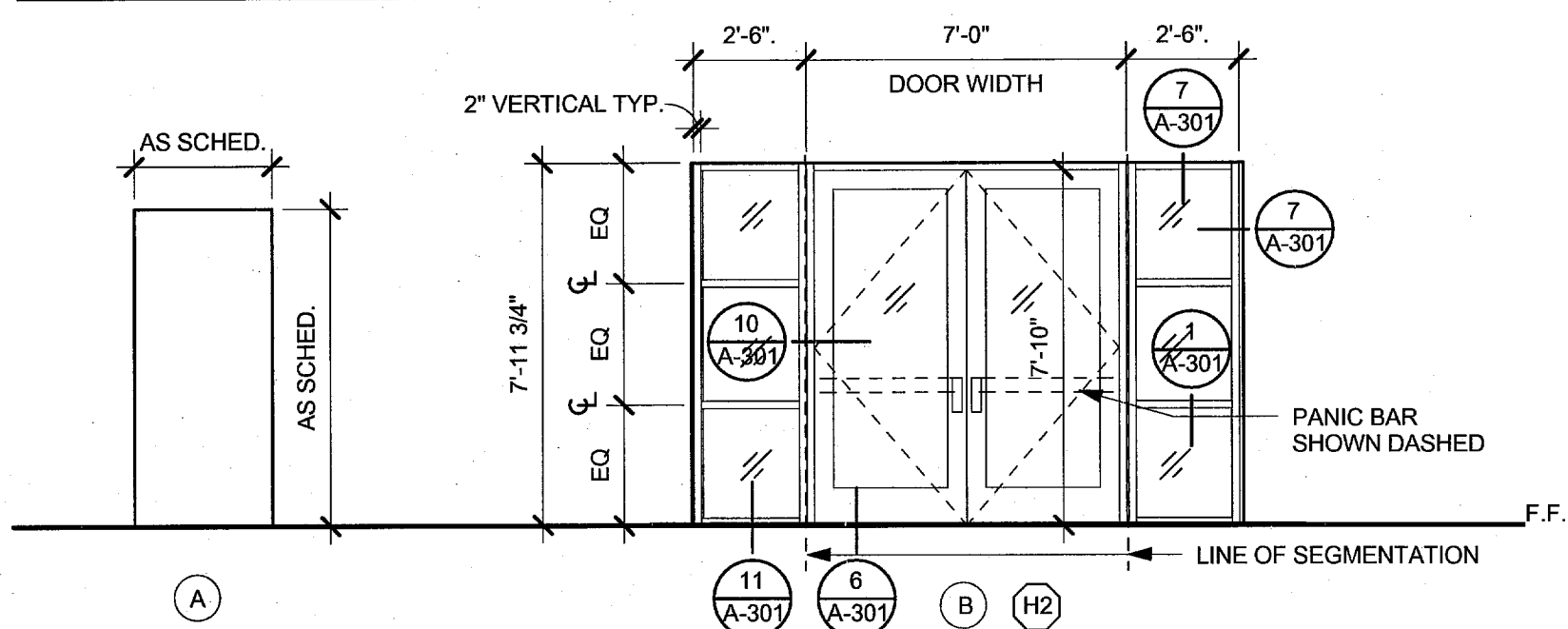
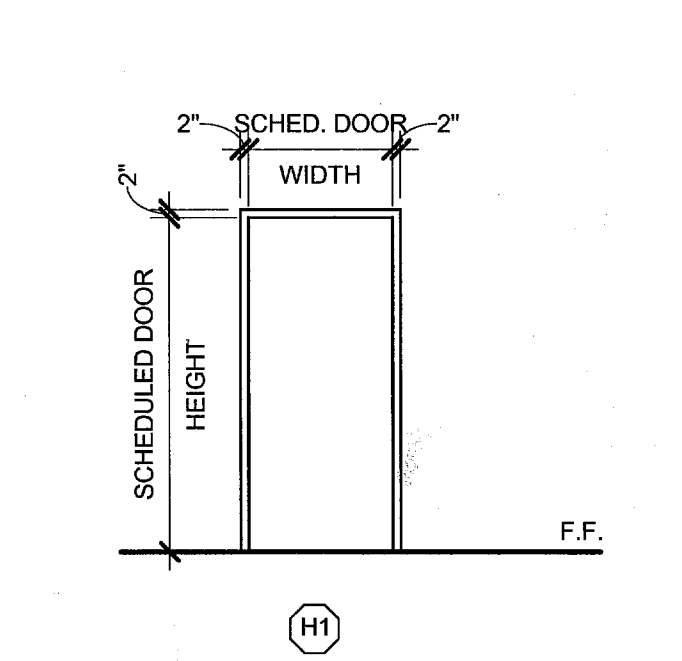


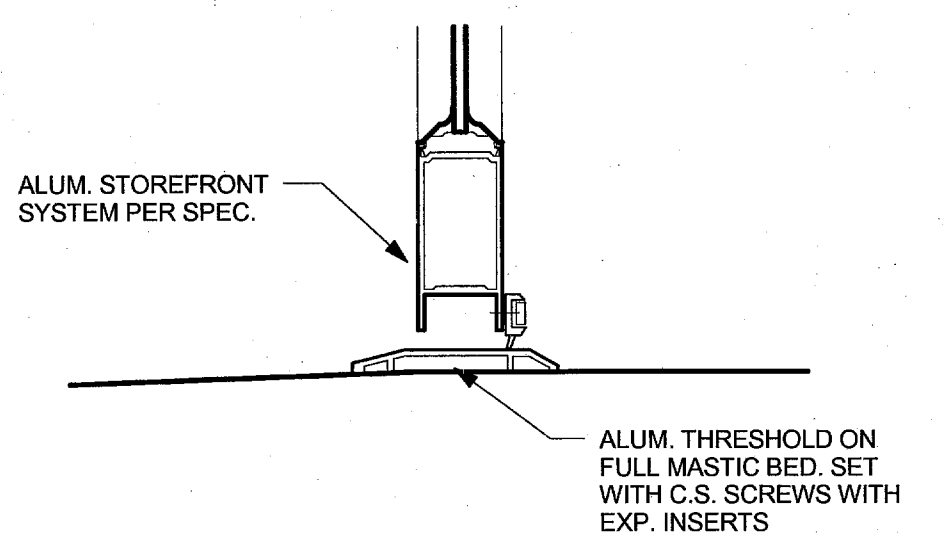
Door Schedule															
Arch No.	Ext.	S / PR.	Width	Height	Thickness	Fire Label	Frame Mat.	Frame Type	Jamb Depth	Head	Jamb	Door Mat.	Door Type	HDW.	Comments
A101	Yes	PR	6'-8"	7'-10"	2"		Alum.	H2		12/A301	13/A301	Alum.	B	Set 10.10.73	
A102	Yes	S	3'-0"	7'-0"	1 3/4"		H.M.	H1	5 7/8"	13/A301	13/A301	H.M.	A	Set 26.00.73	
A103	No	S	3'-4"	7'-0"	1 3/4"		Wd.	-	6 1/2"	8/A301	9/A301	Wd.	A	Set 96.30.00	
A104	No	S	3'-4"	7'-0"	1 3/4"		Wd.	-	6 1/2"	8/A301	9/A301	Wd.	A	Set 96.30.00	
A105	No	S	3'-4"	7'-0"	1 3/4"		Wd.	-	6 1/2"	8/A301	9/A301	Wd.	A	Set 96.60.00	
A106	No	S	3'-4"	7'-0"	1 3/4"		Wd.	-	6 1/2"	8/A301	9/A301	Wd.	A	Set 96.60.00	
A201	No	S	3'-0"	7'-0"	1 3/4"		H.M.	-	5 7/8"	3/A301	4/A301	H.M.	A	Set 26.40.01	



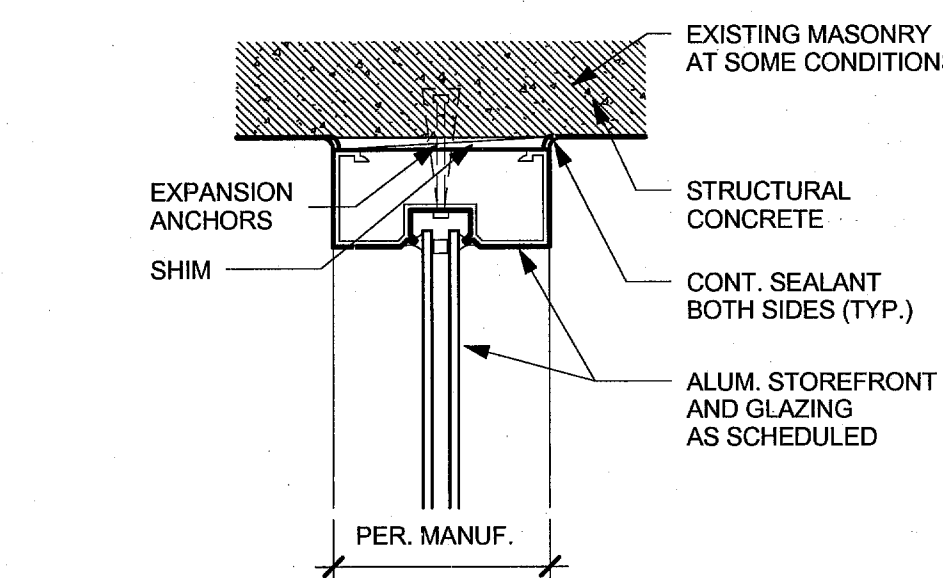
2 Schedule Door Type  
1/4" = 1'-0"



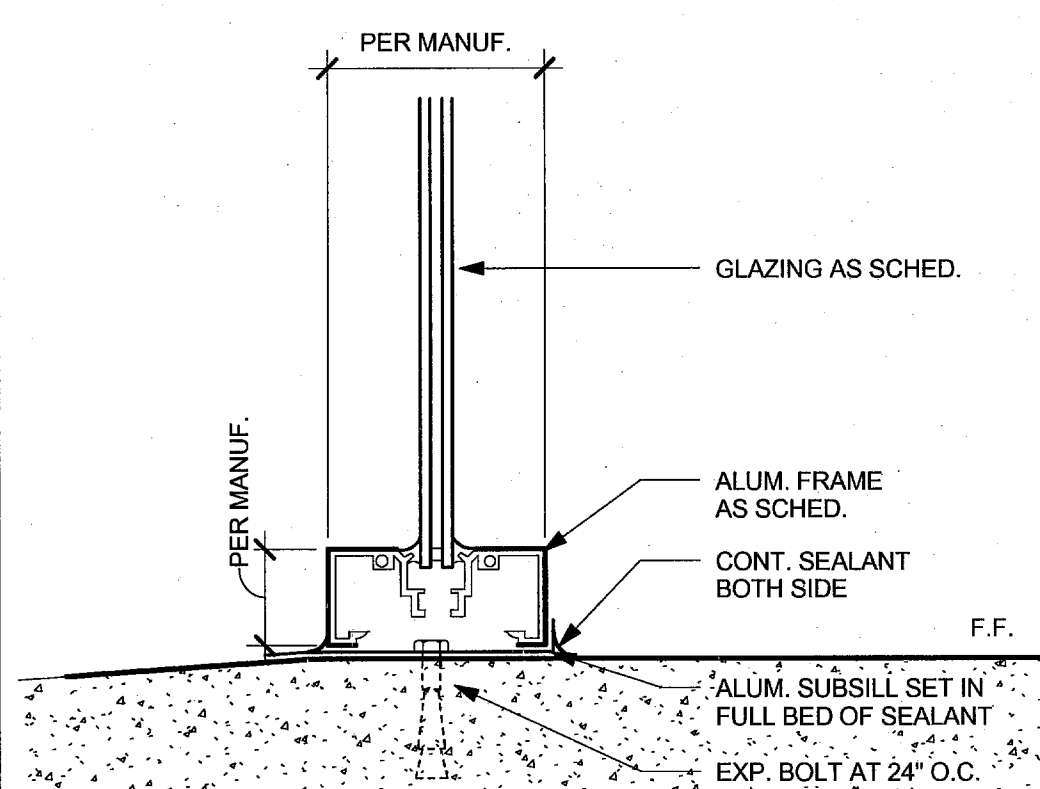
3 Hollow Metal Frame Type  
1/4" = 1'-0"



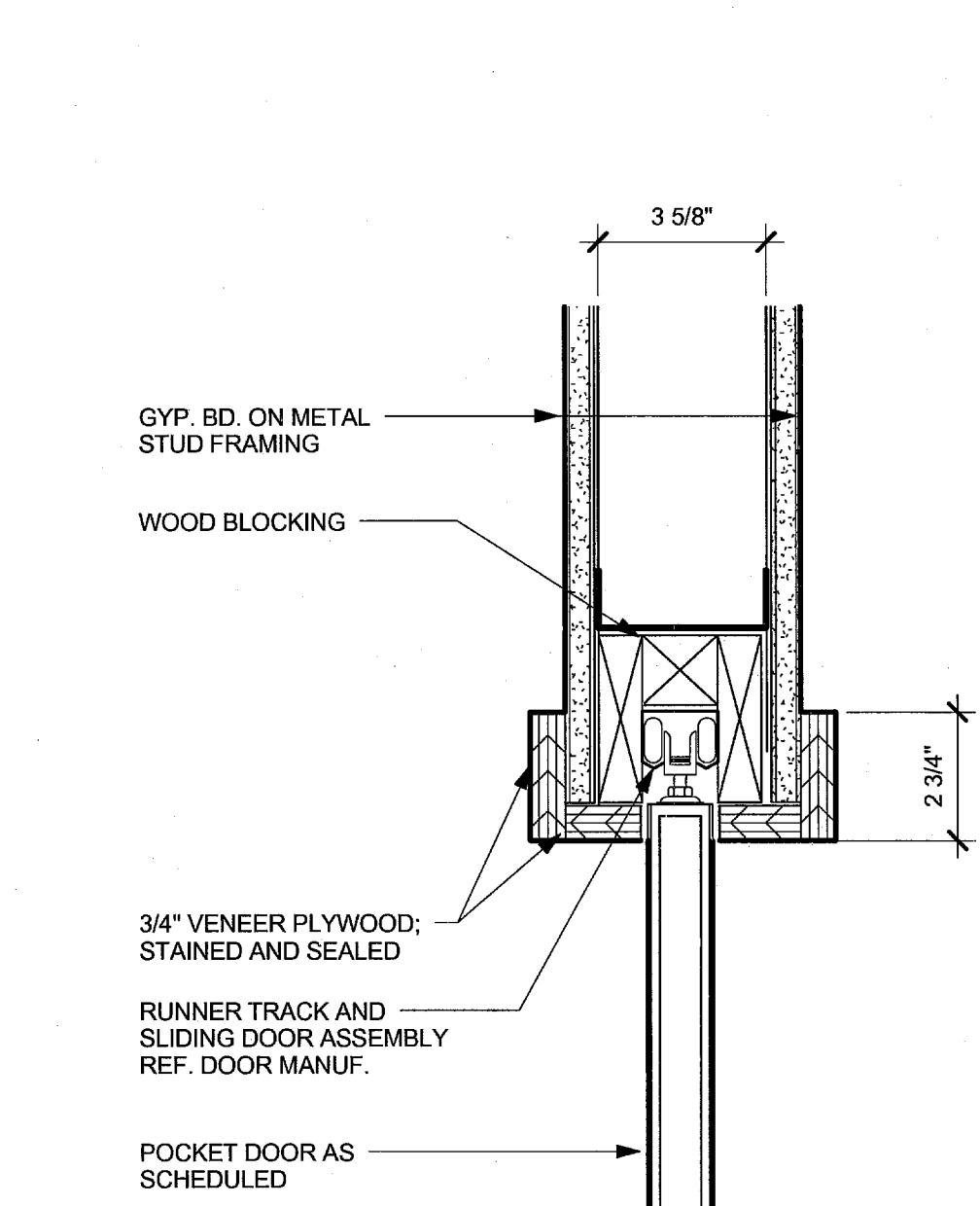
6 Ext. Alum. Door Sill  
3" = 1'-0"



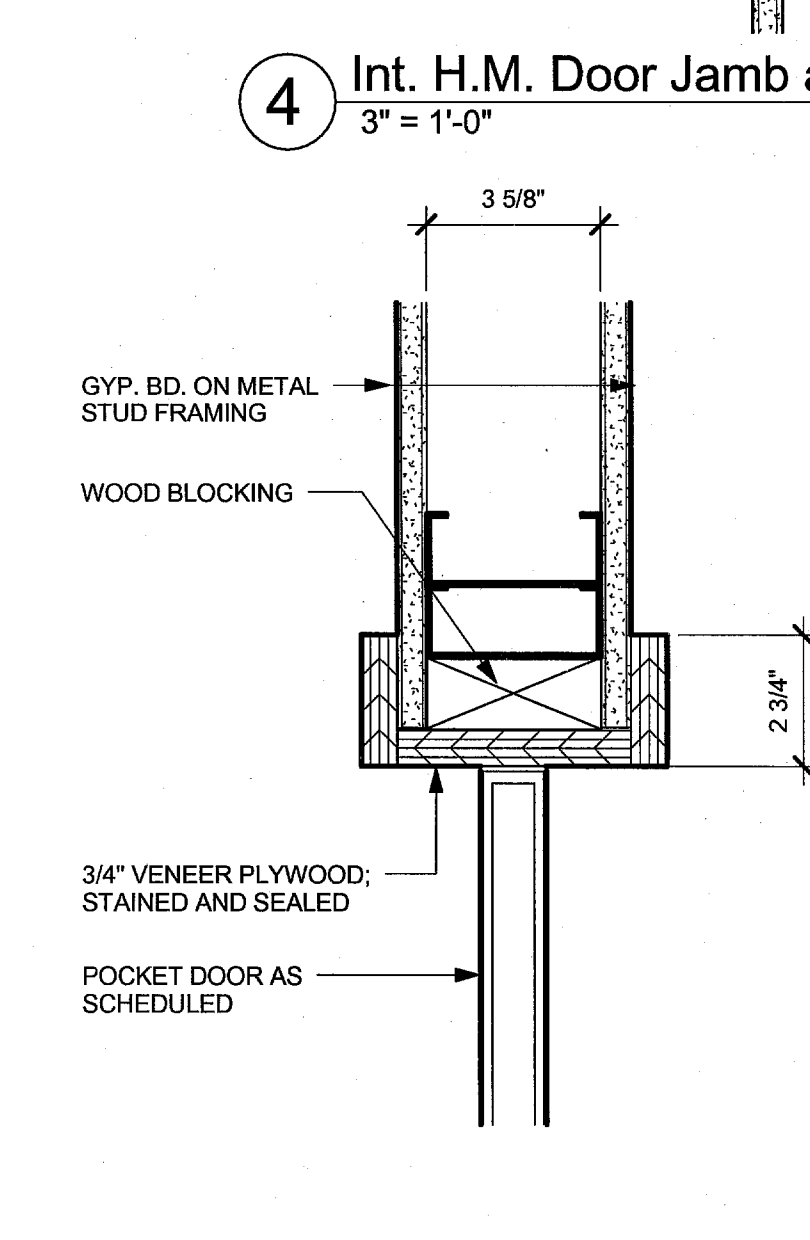
7 Aluminum Window Head/Jamb  
3" = 1'-0"



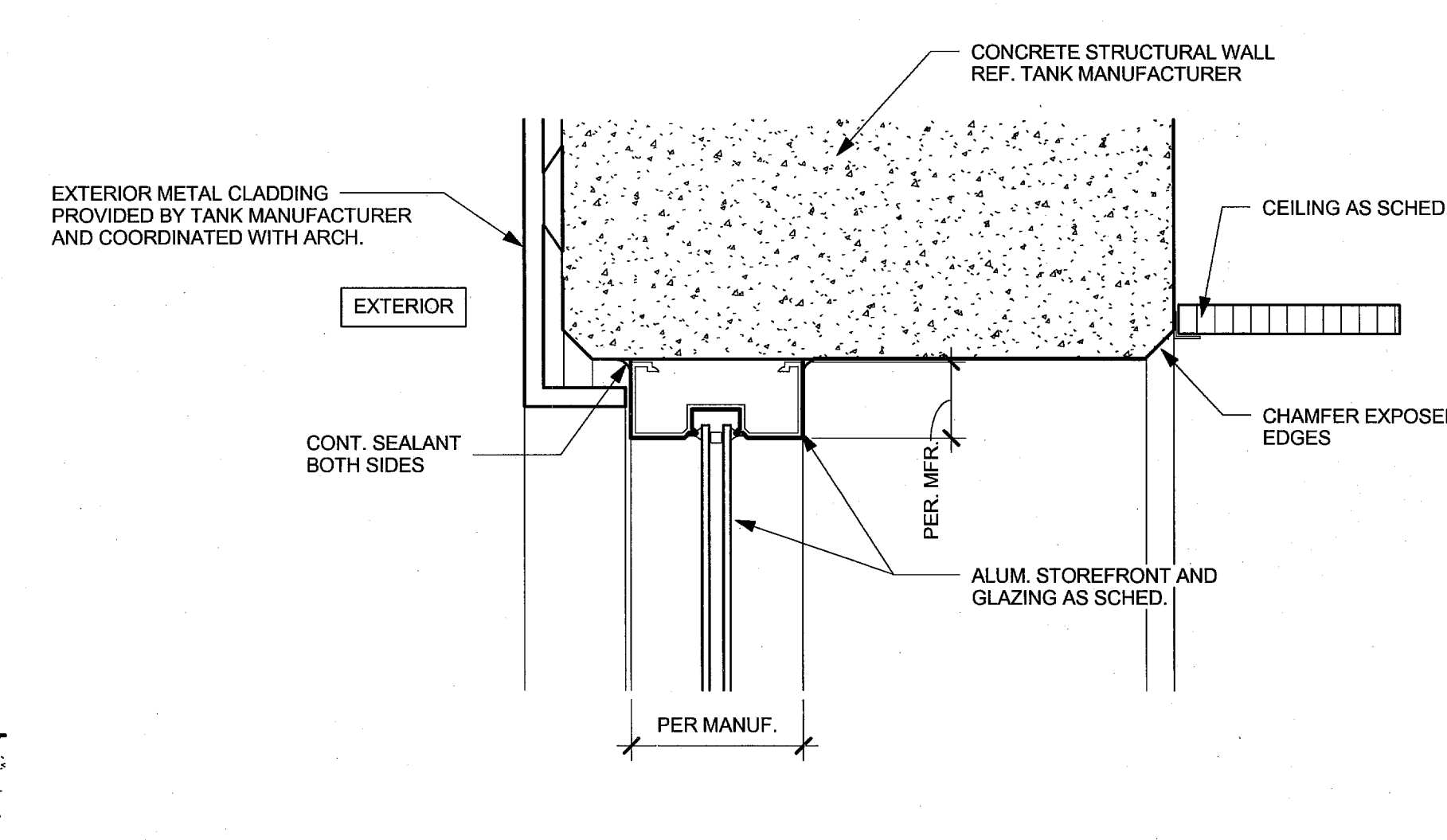
11 Ext. Aluminum Storefront Sill  
3" = 1'-0"



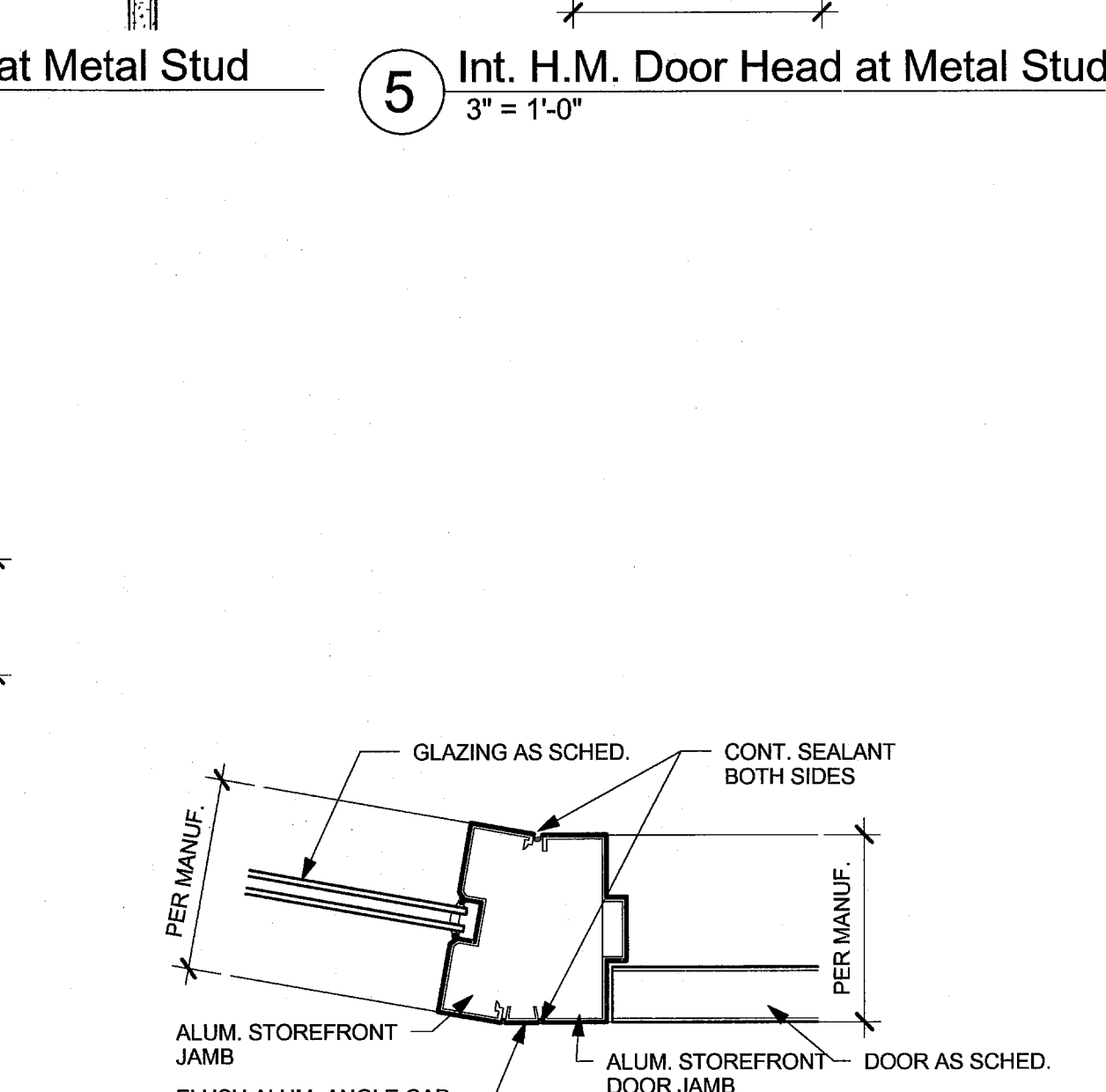
8 Pocket Door Head  
3" = 1'-0"



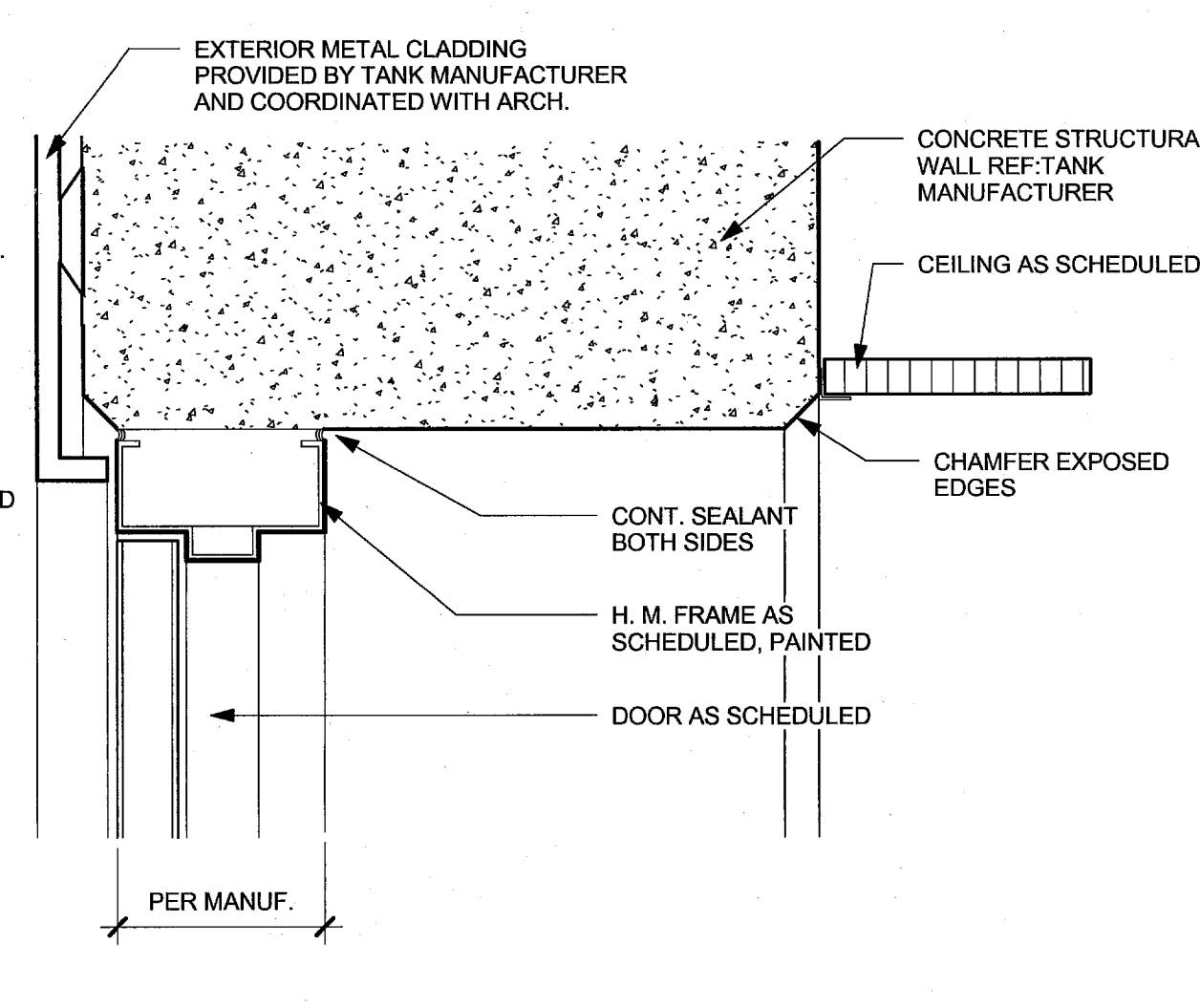
9 Pocket Door Jamb  
3" = 1'-0"



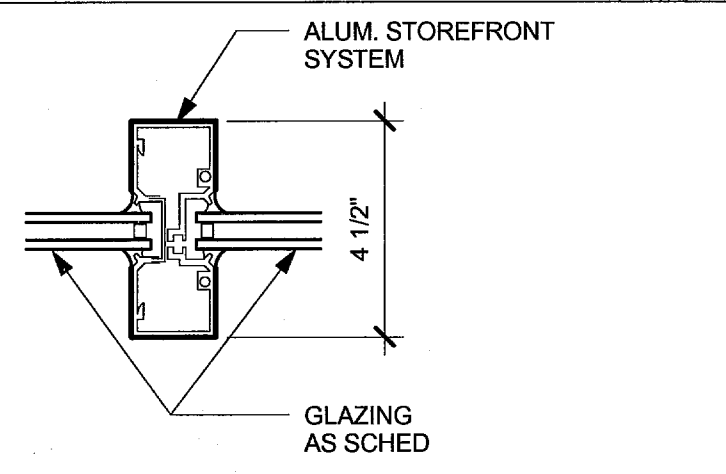
12 Ext. Alum. Window Head (Jamb Sim.) - Concrete  
3" = 1'-0"



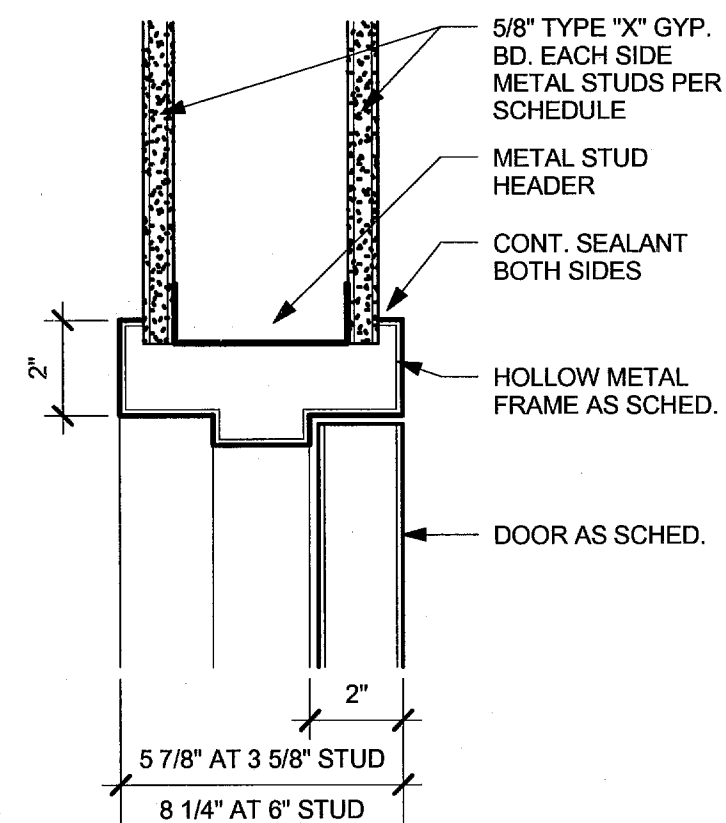
10 Ext. Alum. Angle Window Mullion  
3" = 1'-0"



13 Ext. H.M. Door Head (Jamb Sim.) - Concrete  
3" = 1'-0"



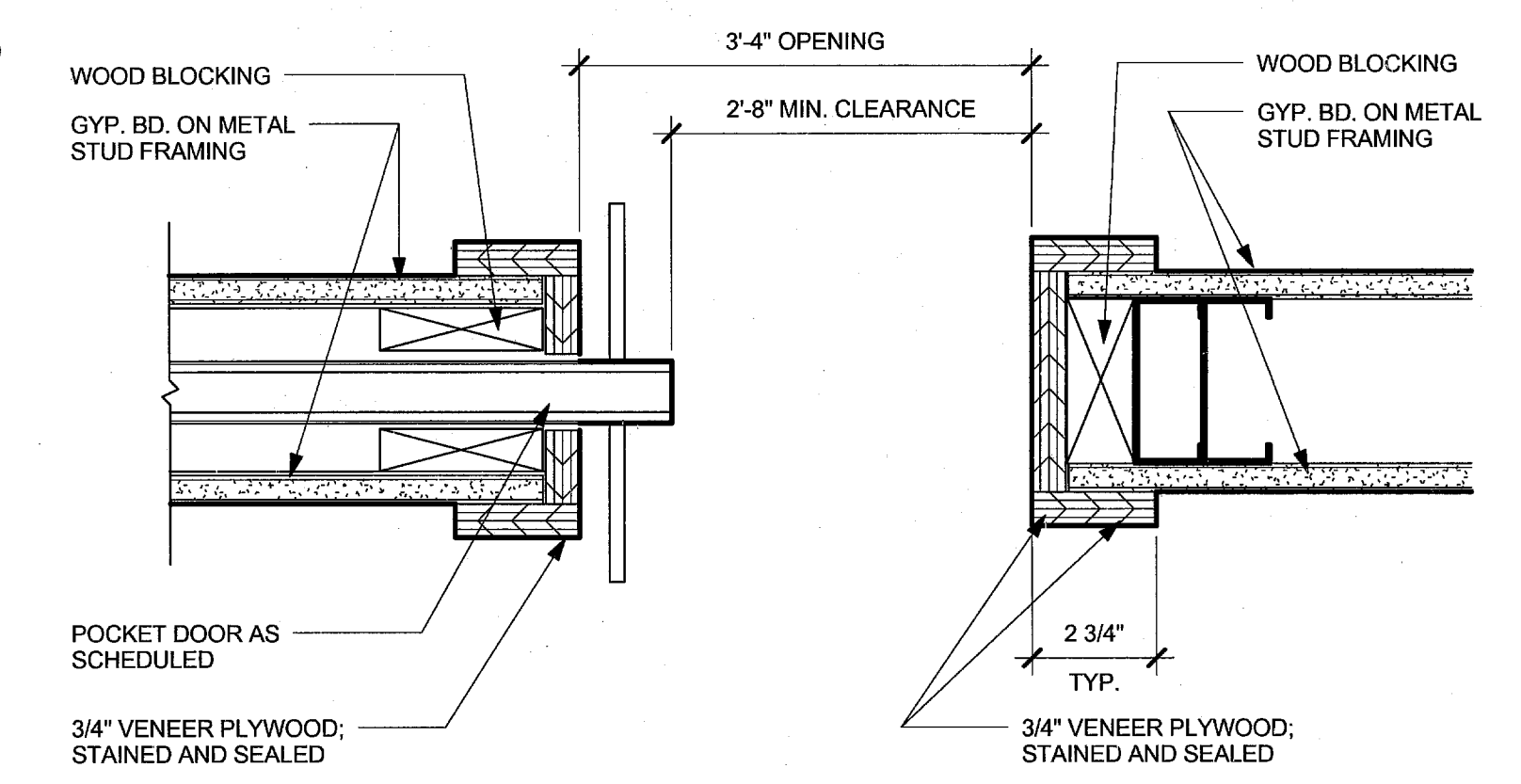
1 Ext. Aluminum Window Mullion  
3" = 1'-0"



5 Int. H.M. Door Head at Metal Stud  
3" = 1'-0"

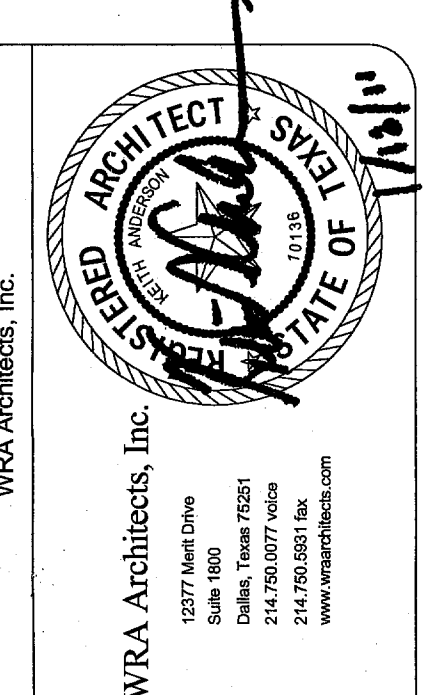
4 Int. H.M. Door Jamb at Metal Stud  
3" = 1'-0"

PARTITION SCHEDULE			
TYPE	WALL THICKNESS	DESCRIPTION	U.L. DESIGN NUMBER WHERE SCHEDULED
A 3 5/8" STUDS	4 7/8"	1 LAYER OF 5/8" GYPSUM BOARD PARTITION TYPE A - 3 5/8" METAL STUDS AT 16" O.C.	U465 - 1HR
B 6" STUDS	7 1/4"	1 LAYER OF 5/8" GYPSUM BOARD PARTITION TYPE B - 6" METAL STUDS AT 16" O.C.	
F 3 5/8" STUDS	4 1/4"	METAL STUDS AT 16" O.C.	
G 6" STUDS	6 5/8"	2 LAYERS OF 5/8" GYPSUM BOARD	
X	5 7/8"	1" VERTICAL Z-FURRING @ 16" O.C. HORIZONTALLY TYPE 'X': EXTERIOR CONCRETE WALL 1 LAYER OF 5/8" GYPSUM BOARD 1" RIGID INSULATION WHERE SCHEDULED METAL STUDS AT 16" O.C.	



14 Pocket Door Closing Detail  
3" = 1'-0"

PARTITION HEAD DETAIL SCHEDULE	
TYPE	DESCRIPTION
CN	BRACE TO STRUCTURE ABOVE AS REQUIRED LAY-IN CEILING ACoustICAL BATTS WHERE SCHEDULED PARTITION AS SCHEDULED



**FRESE NICHOLS**  
2220 San Jacinto Blvd., Suite 330  
Dallas, Texas 75205  
Phone: (214) 387-7205  
Fax: (214) 387-4677  
Web: www.frese.com

Town of Addison, Texas  
**SURVEYOR 1.5 MG EST**  
ARCHITECTURE  
Door Schedules/ Details

DATE	BY	ISSUE	FILE NAME