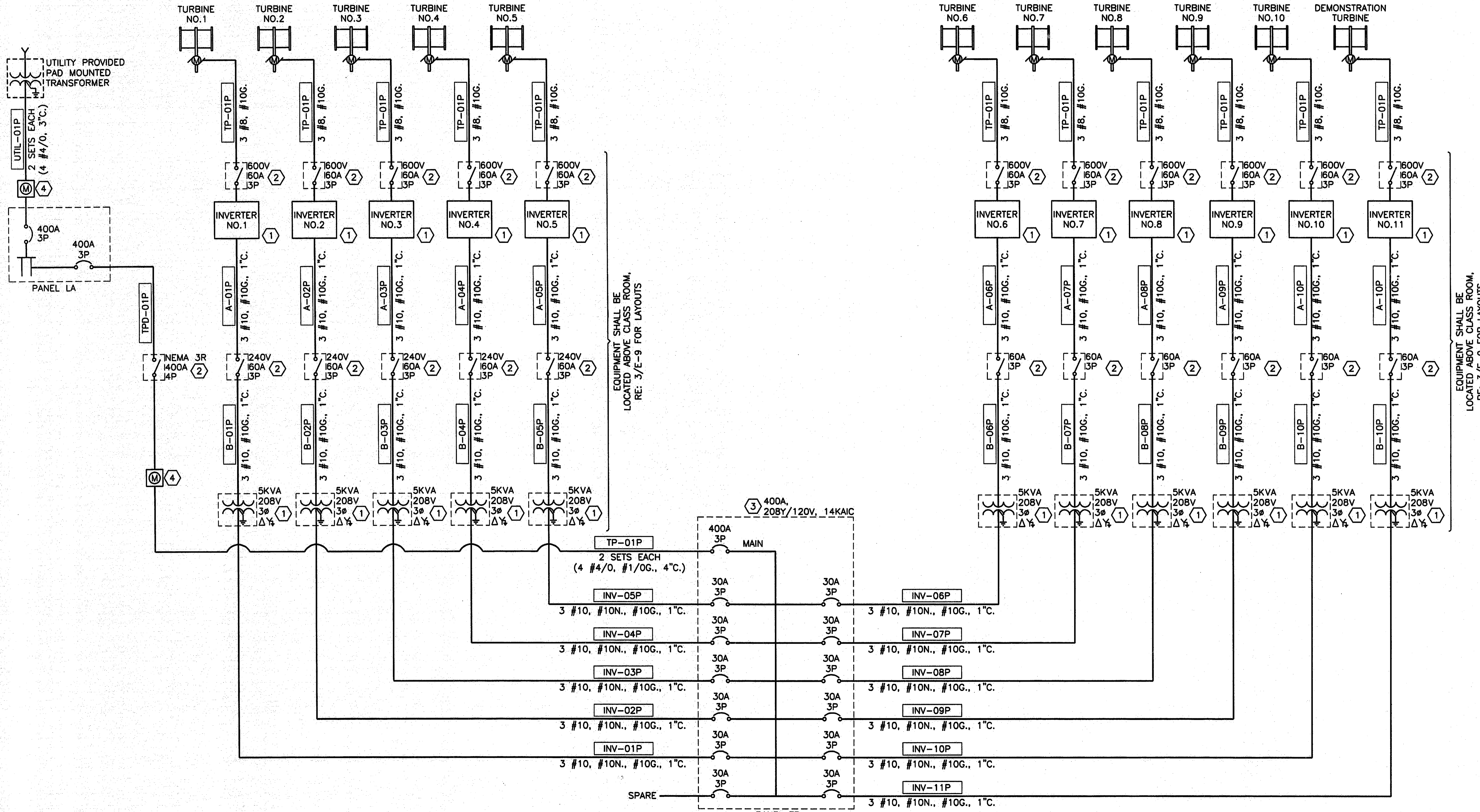


**GENERAL NOTES**

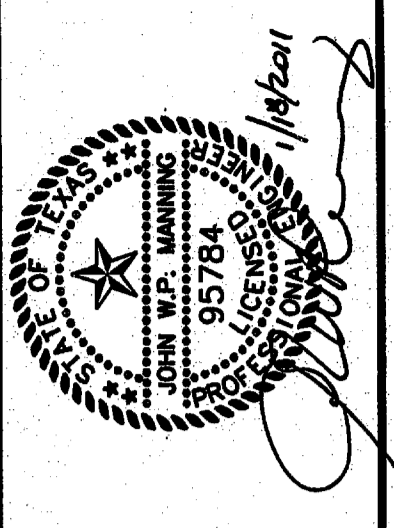
- EQUIPMENT SHOWN ON THIS ONE-LINE IS BASED FROM A SINGLE EQUIPMENT SUPPLIER. IT IS THE CONTRACTOR'S RESPONSIBILITY TO VERIFY ALL EQUIPMENT MANUFACTURERS REQUIRE, RECOMMEND, AND PROVIDE. CONTRACTOR SHALL COORDINATE ALL REQUIRED LABOR AND SCOPE WITH EQUIPMENT SUPPLIER PRIOR TO BIDS.

**NOTES BY SYMBOL "◇"**

- CONTRACTOR SHALL PROVIDE AND INSTALL 5KVA, 240-208Y/120V, 3 PHASE TRANSFORMER. PROVIDE 316 STAINLESS STEEL MOUNTING HARDWARE REQUIRED.
- CONTRACTOR SHALL PROVIDE 400A DISCONNECT. LOCATE OUTSIDE TANK PEDESTAL AS DISCONNECTING MEANS FOR UTILITY COMPANY.
- CONTRACTOR SHALL PROVIDE 3φ, 4W, 42 POLE, 208Y/120V, 22KAIC.
- CONTRACTOR SHALL COORDINATE REQUIRED METER BASE AND METER WITH UTILITY COMPANY.



**ONE-LINE DIAGRAM**  
NOT TO SCALE



**FREESSE & NICHOLS**  
2220 San Jacinto Blvd., Suite 330  
Denton, Texas 76205-7589  
Phone: (940) 381-4600  
Fax: (940) 381-4677

TOWN OF ADDISON, TEXAS  
SURVEYOR 1.5 MG EST  
ELECTRICAL  
ONE-LINE DIAGRAM

NO. ISSUE	BY	DATE	FBN JOB NO.	ADD08459
			DATE	01/18/11
			DESIGNED	JWM
			DRAWN	JAF/VMC
			REVISION	
			CHECKED	JNH
			FILE NAME	EL-ADD-DG-ONEL.dwg
			SCALE	0
			VERIFY	Bar is one inch on original drawing. If not one inch on this sheet, adjust scale.
SHEET	E-5			
SEQ.				

ACAD: Rel: 18.0s (LMS Tech) User: jwm  
[ADD08459] [DTNSRV2] N:\elec\EL-ADD-DG-ONEL.dwg LAYOUT: EL-ADD-DG-ONEL  
Jan 18, 2011 5:53pm LTS: 1 TWIST: CUALL\FREESSE.COM  
REFERENCES: N:\elec\Bose\JWM-STAMP.dwg N:\Standard\34BORDER.DWG...95784.dwg