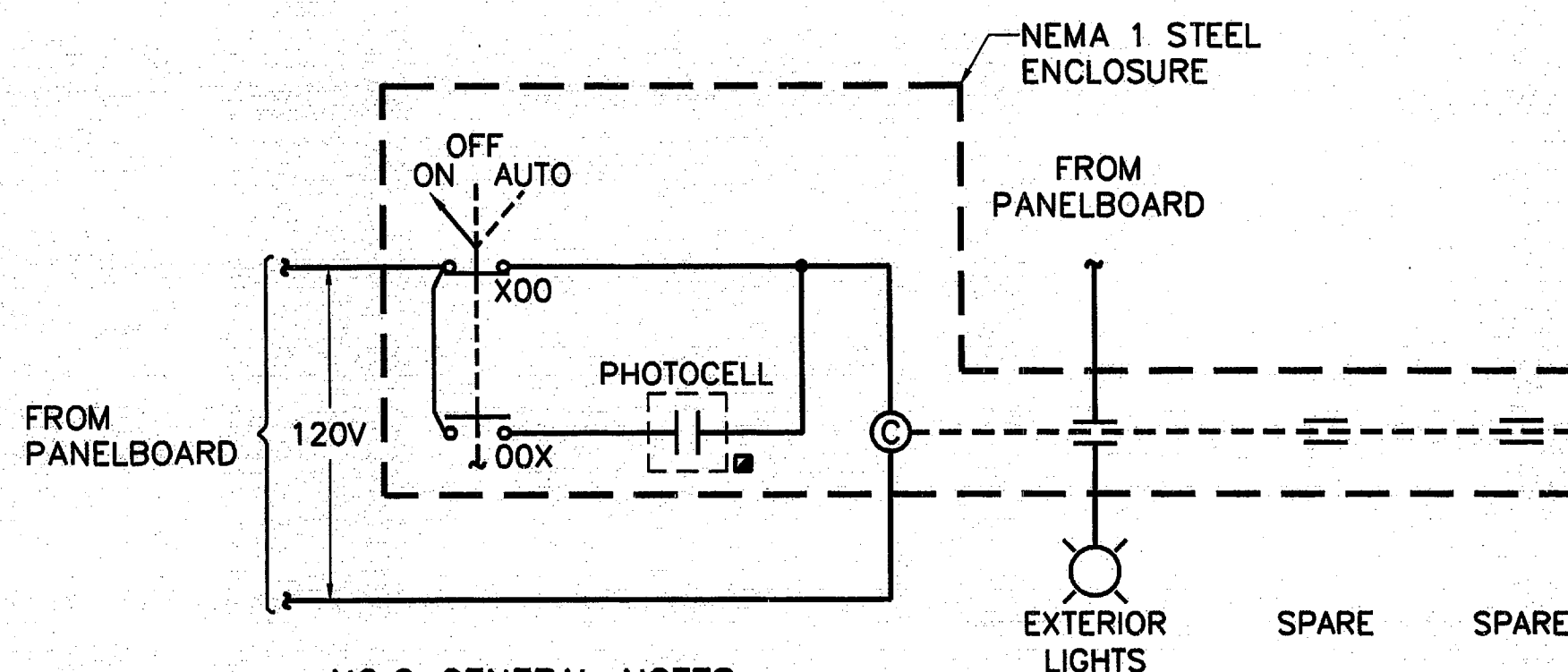


**NO.1 GENERAL NOTES:**  
1. CONTACTS SHALL BE RATED FOR 20 AMPS AT 240V.

**BOWL LIGHTING AND TURBINE LIGHTING CONTACTOR CONTROL SCHEMATIC**

NOT TO SCALE



**NO.2 GENERAL NOTES:**  
1. CONTACTS SHALL BE RATED FOR 20 AMPS AT 240V.

**EXTERIOR PEDESTAL LIGHTING CONTACTOR CONTROL SCHEMATIC**

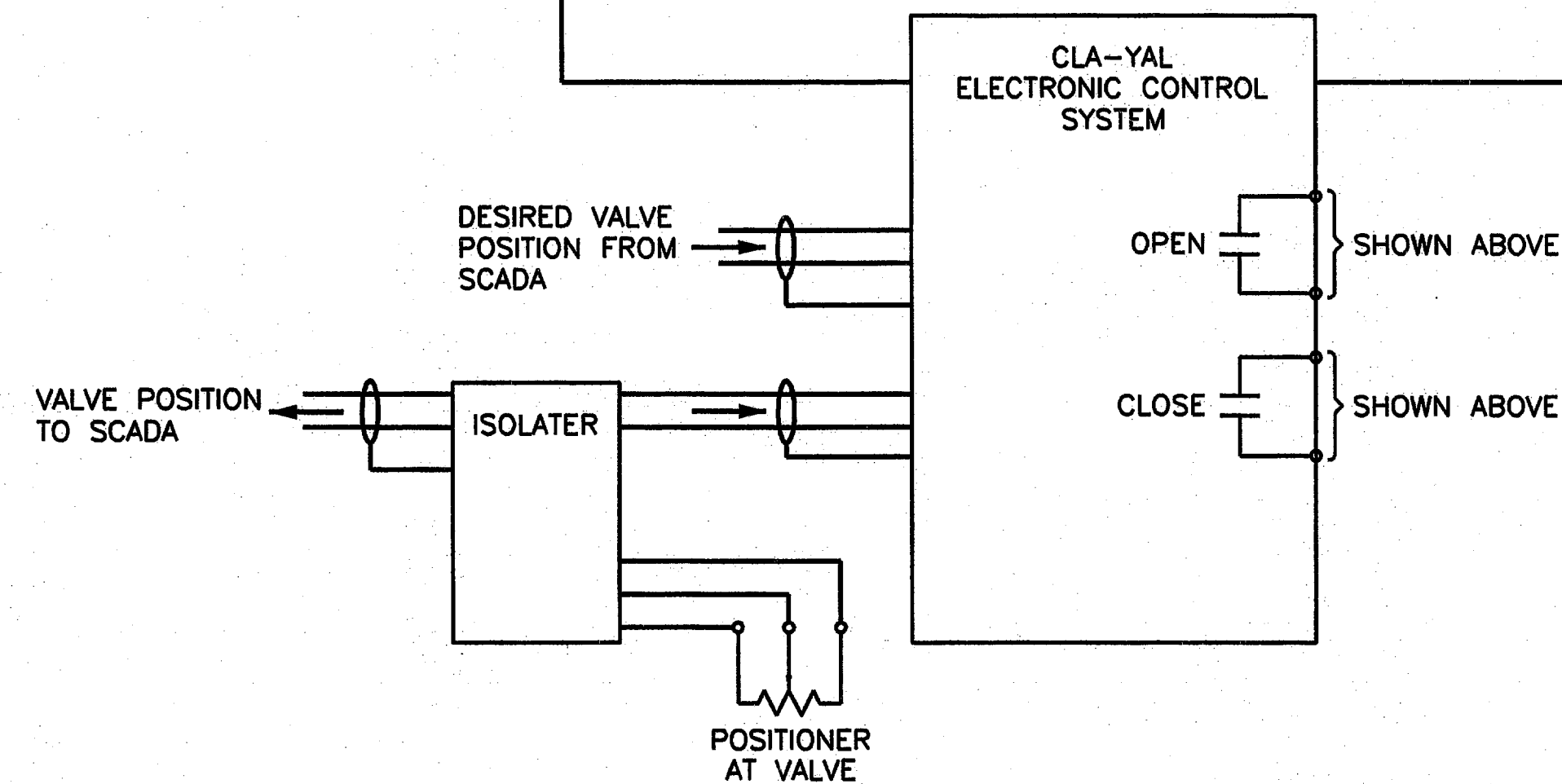
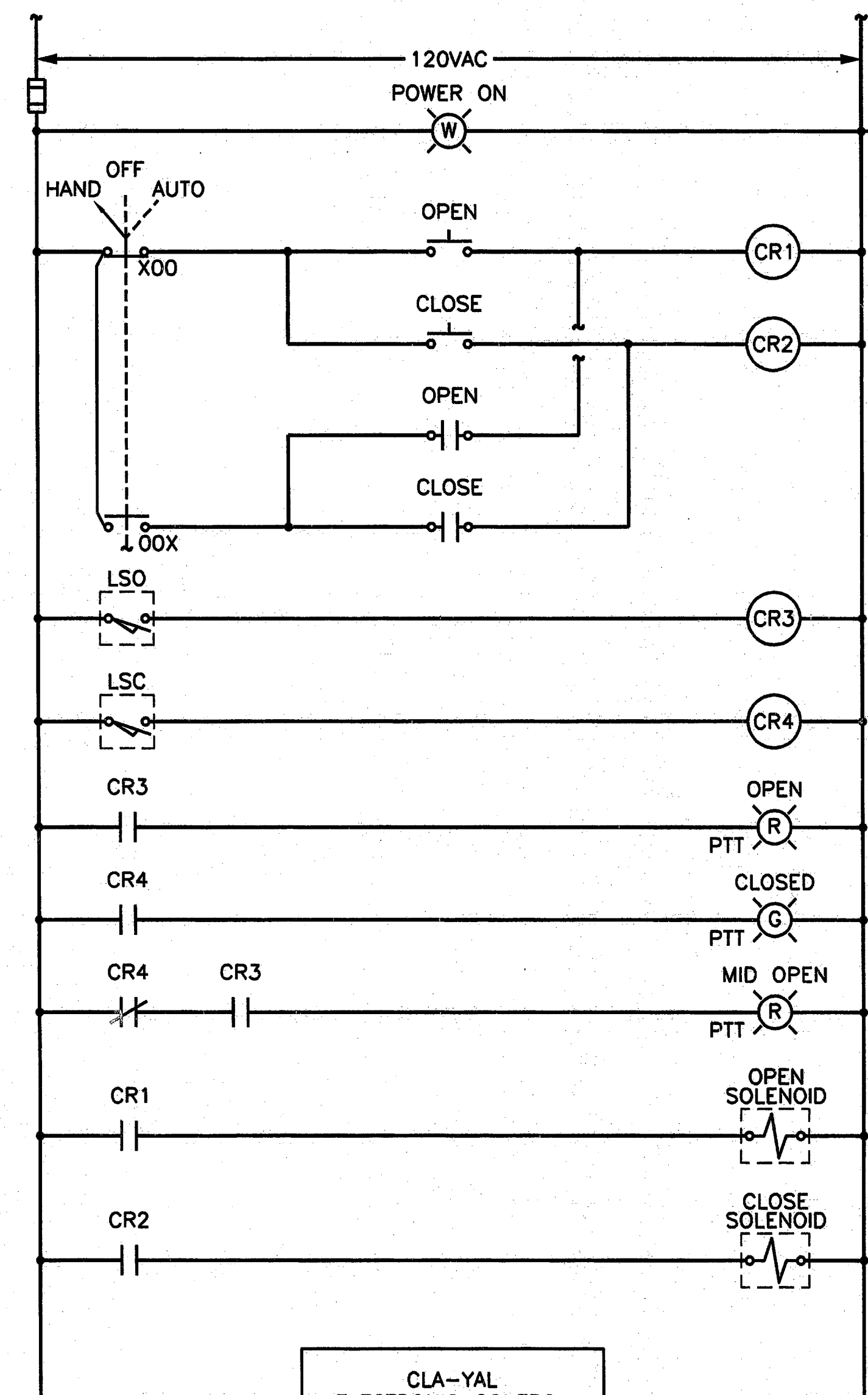
NOT TO SCALE

**LIGHTING FIXTURE SCHEDULE**

FIXTURE	TYPE	MANUFACTURER	CATALOG NO.	VOLT.	DESCRIPTION
	F	LITHONIA	FIXTURE: 55V-RMA-208-TS-LPI-SWCA-DDB POLE: STSH-25-6-4B-VD-TP-WCH-DDB	208	VERTICAL LAMP HIGH PERFORMANCE 400W PULSE START METAL HALIDE FLOOD LIGHT WITH MEDIUM DISTRIBUTION, TENON SLIP FITTING MOUNTING, AND DARK BRONZE FINISH.
	H	KIM LIGHTING	AFL12-70PMH208	208	FLOOD LIGHT
	K	CROUSE-HINDS	VF G24 P21	120	VF SERIES FIXTURE WITH TWO (2) 9W COMPACT FLUORESCENT LAMPS. CLEAR GLASS GLOBE AND WIRE GUARD. PENDANT MOUNT 3/4" CONDUIT AND WALL MOUNT AS SHOWN ON PLANS.
	L	LITHONIA	ELT50-W-MT-H1212-N-AM-VM	120	EMERGENCY FIXTURE WITH WHITE FINISH, METAL LAMP HEADS, HALOGEN LAMPS, NICKEL-CADMIUM BATTERY, AMMETER AND VOLTMETER INCLUDED.
	M	KIM LIGHTING	AFL12-70PMH208	208	FLOOD LIGHT
	N	HYDREL	700-42-TRT-120-FL-GS	120	FLOOD LIGHTING FOR PEDISTAL BASE. THIS ITEM IS PART OF ALTERNATE BID ITEM.

**LIGHTING FIXTURE SCHEDULE NOTES:**

- LIGHT FIXTURES PROVIDED SHALL BE APPROVED EQUAL TO THE FIXTURE INDICATED IN THE SCHEDULE ABOVE.
- FIXTURE MODEL NUMBERS ARE USED TO ESTABLISH MINIMUM QUALITY AND PERFORMANCE STANDARDS AND NOT TO ESTABLISH MOUNTING TYPE. MOUNTING REQUIREMENTS MAY VARY FOR THE SAME TYPE OF FIXTURE THROUGHOUT THE PROJECT. CONTRACTOR SHALL VERIFY INSTALLATION LOCATION AND PROVIDE APPROPRIATE MOUNTING HARDWARE FIXTURE TYPE DESIGN FOR EACH LOCATION.



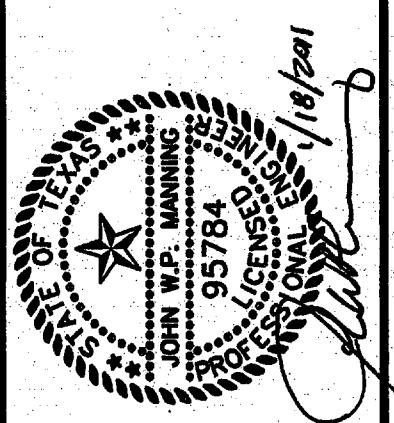
**NO.3 GENERAL NOTES:**

- CONTRACTOR SHALL PROGRAM PLC TO OUTPUT A 4-20mA SIGNAL OF FULL OPEN/FULL CLOSE IN NORMAL OPERATION.
- CONTRACTOR SHALL PROGRAM A SET POINT VALVE POSITION WHEN PUMPS FROM PUMP STATION ARE TURNED ON.
- POWER FAILURE SHALL LEAVE THE VALVE IN THE FULL OPEN POSITION.
- VALVE CONTROLS SHALL BE INSTALLED IN RTU. INDICATION LIGHTS, PUSH BUTTONS, AND SELECTOR SWITCHES SHALL BE MOUNTED TO RTU ENCLOSURE DOOR.

**VALVE CONTROL SCHEMATIC**

NOT TO SCALE

Freese and Nichols, Inc.  
Texas Registered Engineering Firm F-2144.



**FREESE & NICHOLS**  
2220 San Jacinto Blvd., Suite 330  
Denton, Texas 76205-7589  
Phone - (940) 387-4600  
Fax - (940) 387-4677

TOWN OF ADDISON, TEXAS  
**SURVEYOR 1.5 MG EST**  
ELECTRICAL  
**SCHEMATICS, DIAGRAM & SCHEDULE**

NO.	ISSUE	BY	DATE	DATE	DESIGNED	DRAWN	CHECKED	FILE NAME
			01/18/11	01/18/11	JWM	JAF	JNH	EL-ADD-SM-CTRL.dwg

Bar is one inch on original drawing. If not one inch on this sheet, adjust scale.

VERIFY SCALE

SHEET **E-7**

SEQ.

ACAD: Rel 18.0s (LWS Tech) User: ppm  
[ADD08459] [DINSRV2] N:\elec\EL-ADD-SM-CTRL.dwg LAYOUT: EL-ADD-SM-CTRL  
Jan 18, 2011 4:08pm PLS: 1 TWST: CLUAL\FREESE.COM  
REFERENCES: N:\elec\Bose\JWM-STAMP.dwg, N:\Stonard\34BORDER.DWG, 95784.dwg