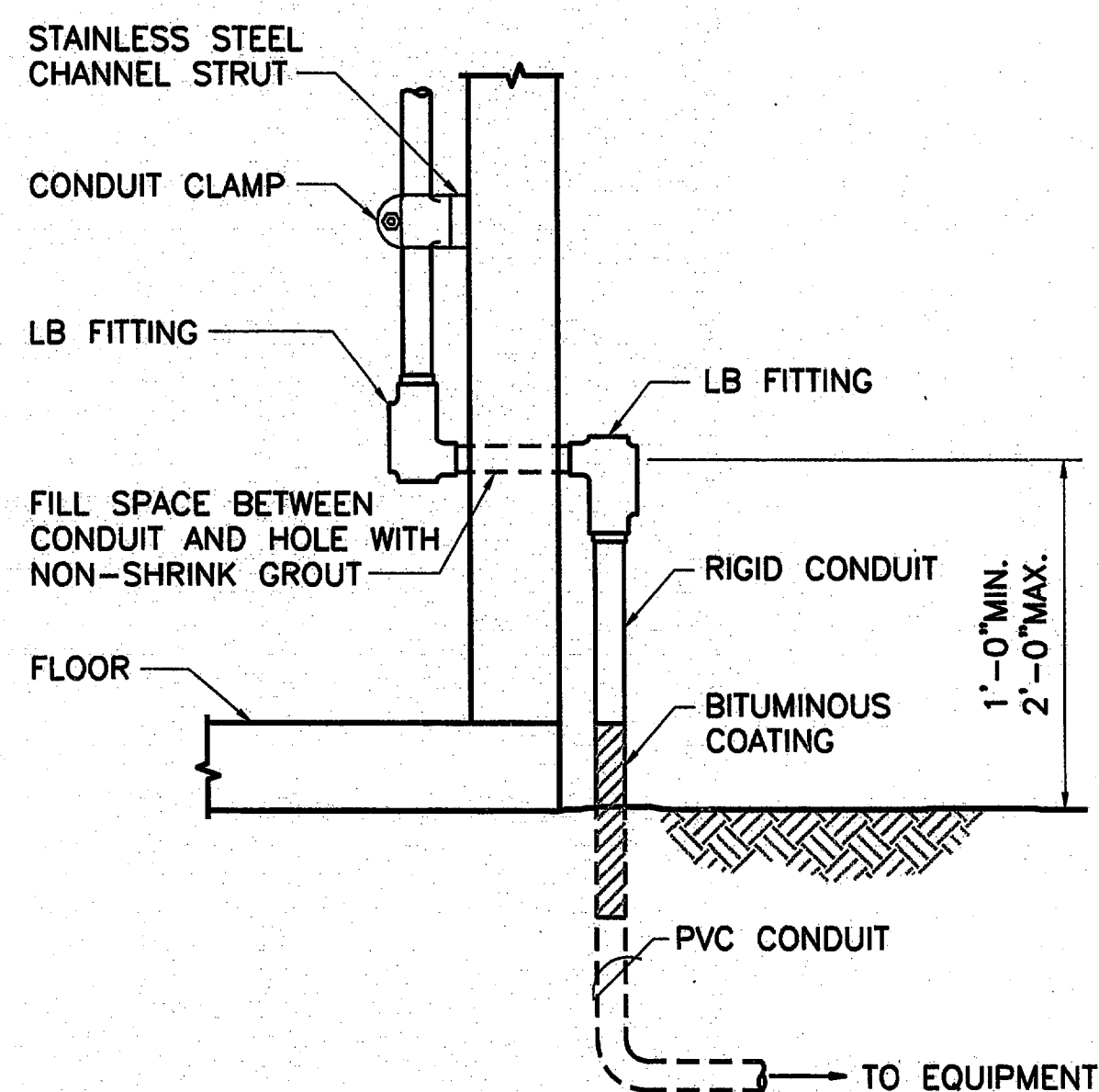
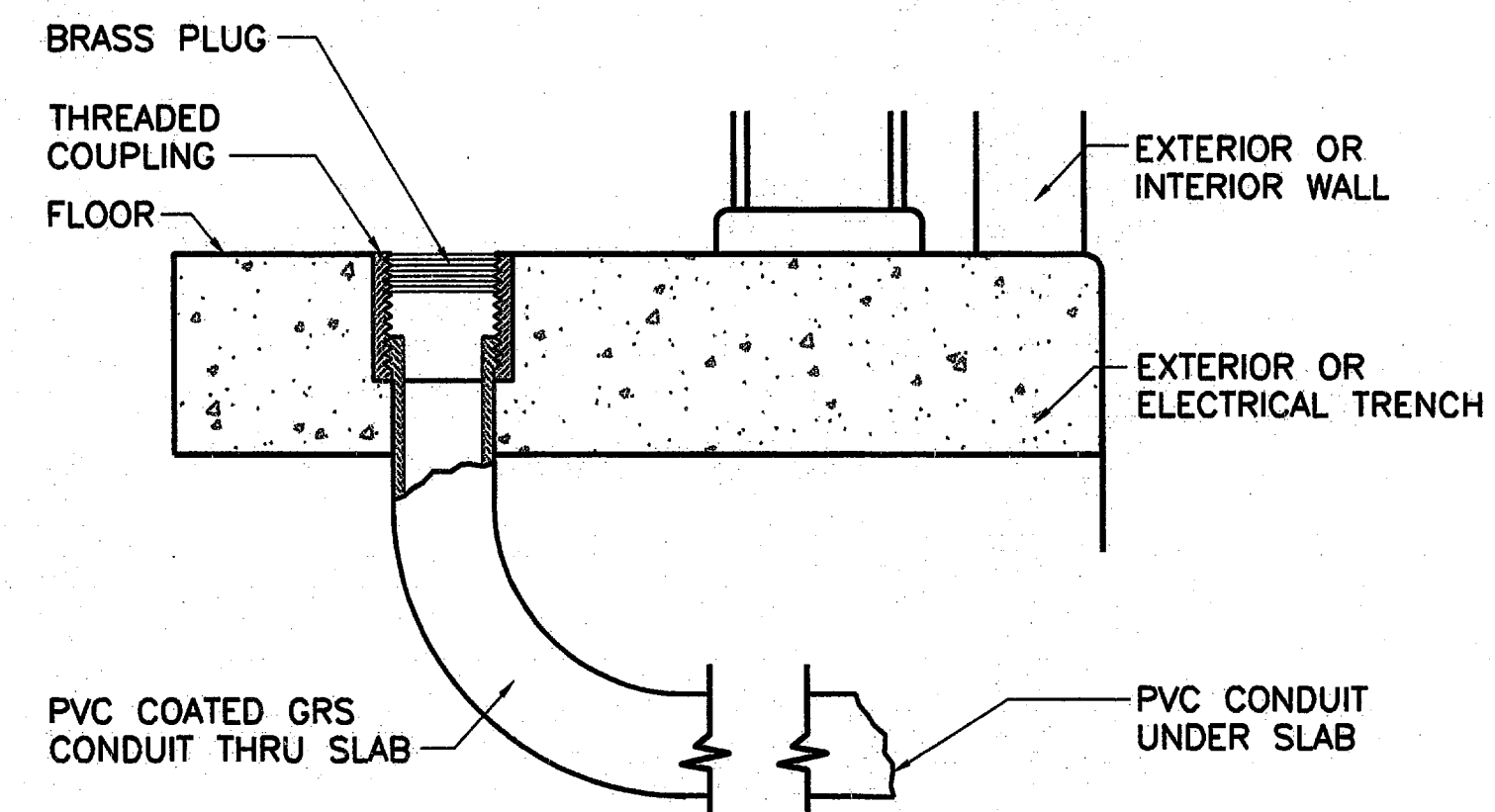


NO.1 NOTES BY SYMBOL "1"
 1. ANCHORS SHALL BE EXPANDING 316 STAINLESS STEEL.

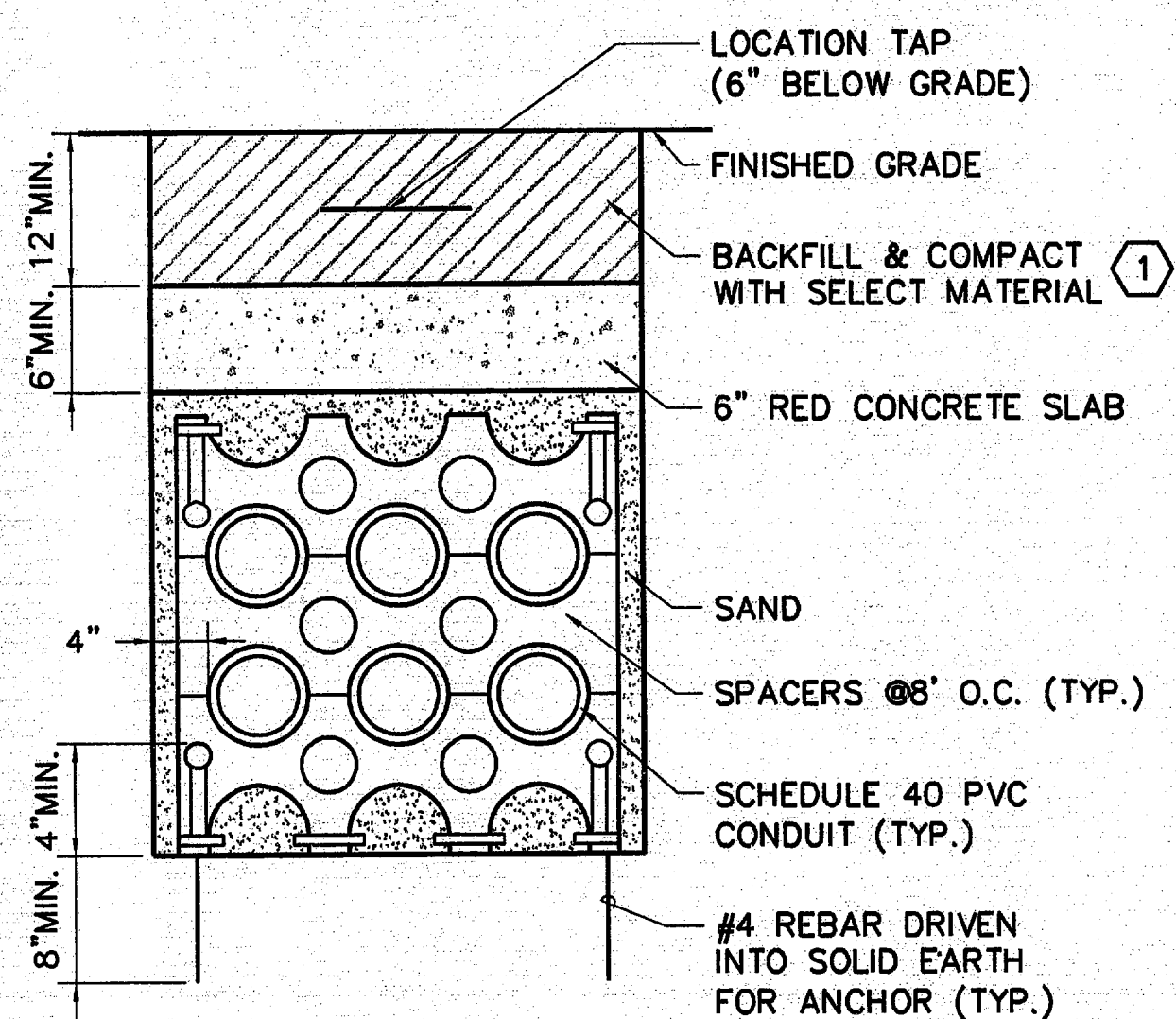
1 WALL MOUNTED CONDUIT RACK
 NOT TO SCALE



2 WALL PENETRATION
 NOT TO SCALE

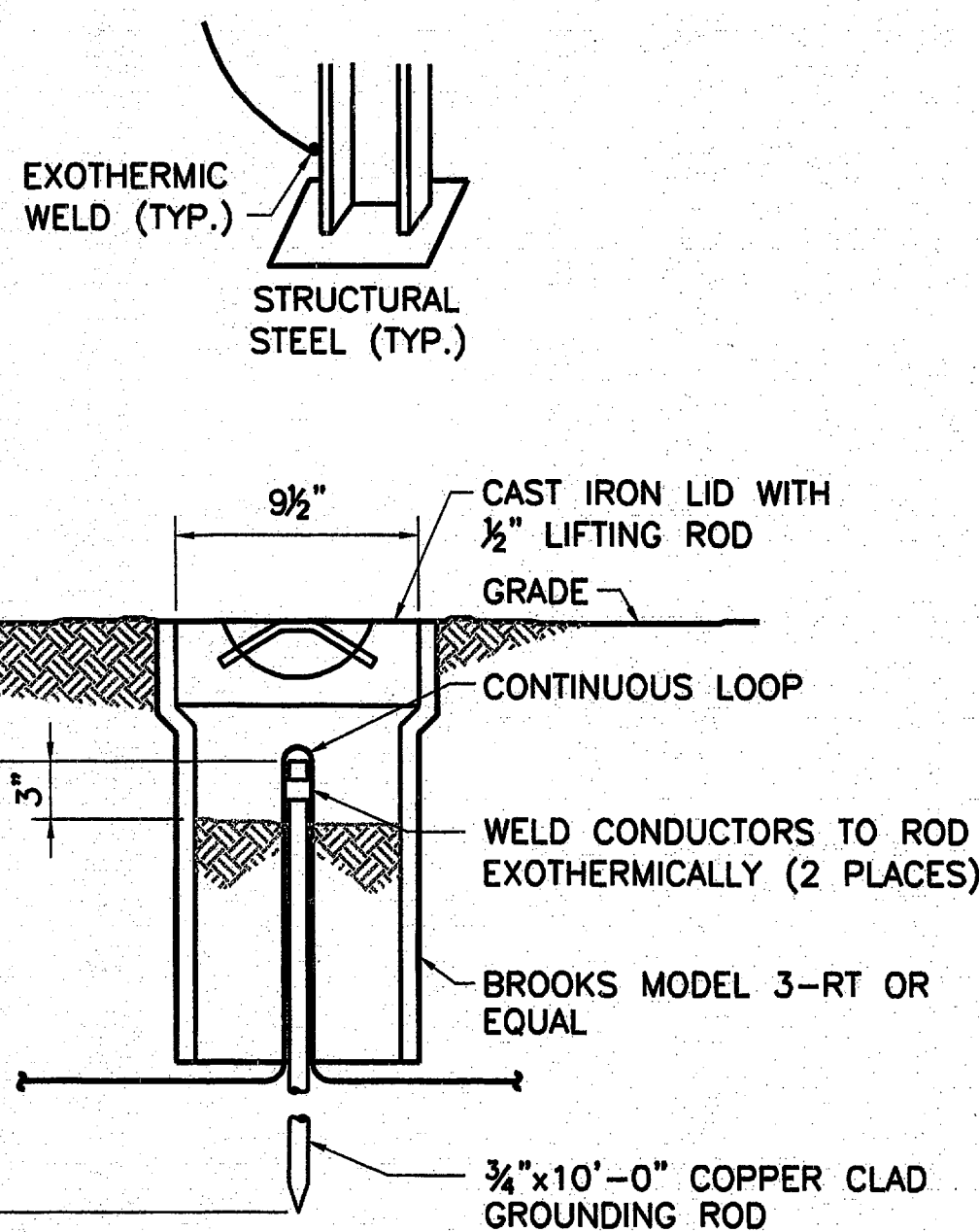


3 CONDUIT FLOOR ENTRANCE
 NOT TO SCALE

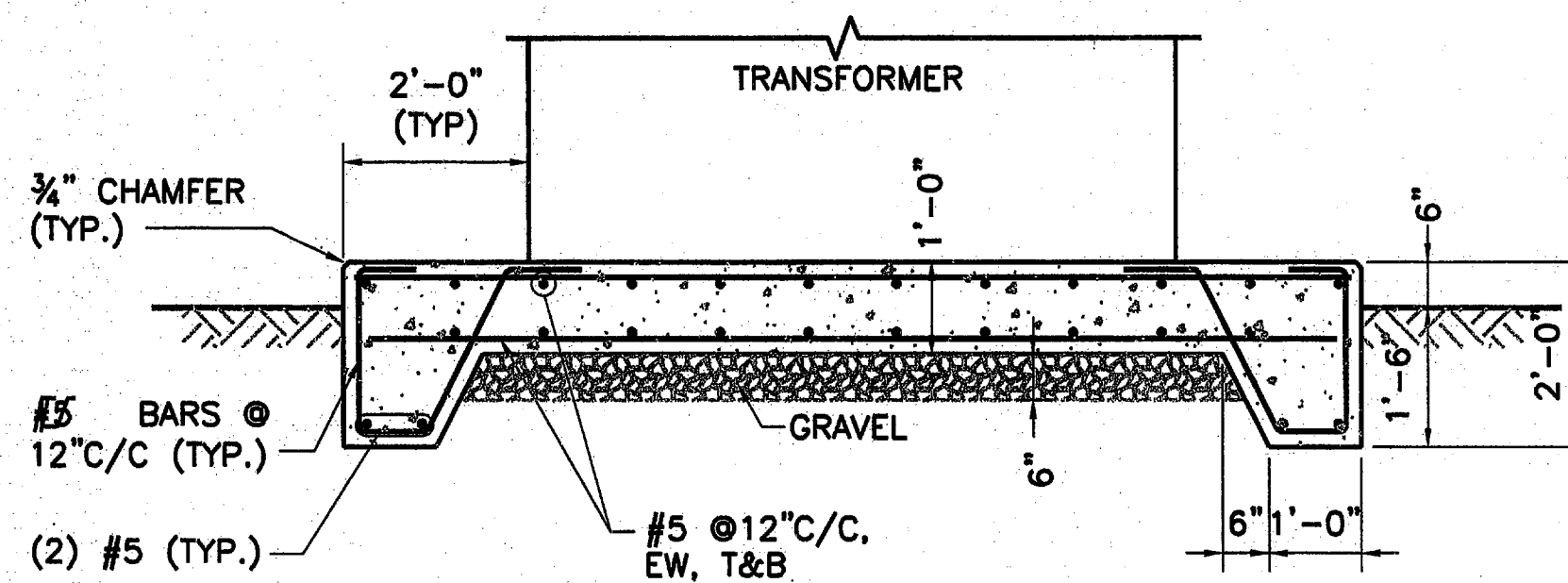


NO.4 NOTES BY SYMBOL "1"
 1. SELECT BACKFILL TO BE CLASS 4 EARTH FILL. FILL SHALL CONSIST OF MATERIALS WHICH ARE CLASSIFIED AS SP, SM, SC, CL OR DUAL CLASSIFICATIONS THEREOF, WHICH HAVE A LIQUID LIMIT LESS THAN OR EQUAL TO 35 AND A PLASTICITY INDEX OF A MINIMUM OF 4 AND A MAXIMUM OF 15, WHICH ARE FREE OF ORGANIC MATERIALS.

4 CONCRETE CAPPED DUCT BANK DETAIL
 NOT TO SCALE

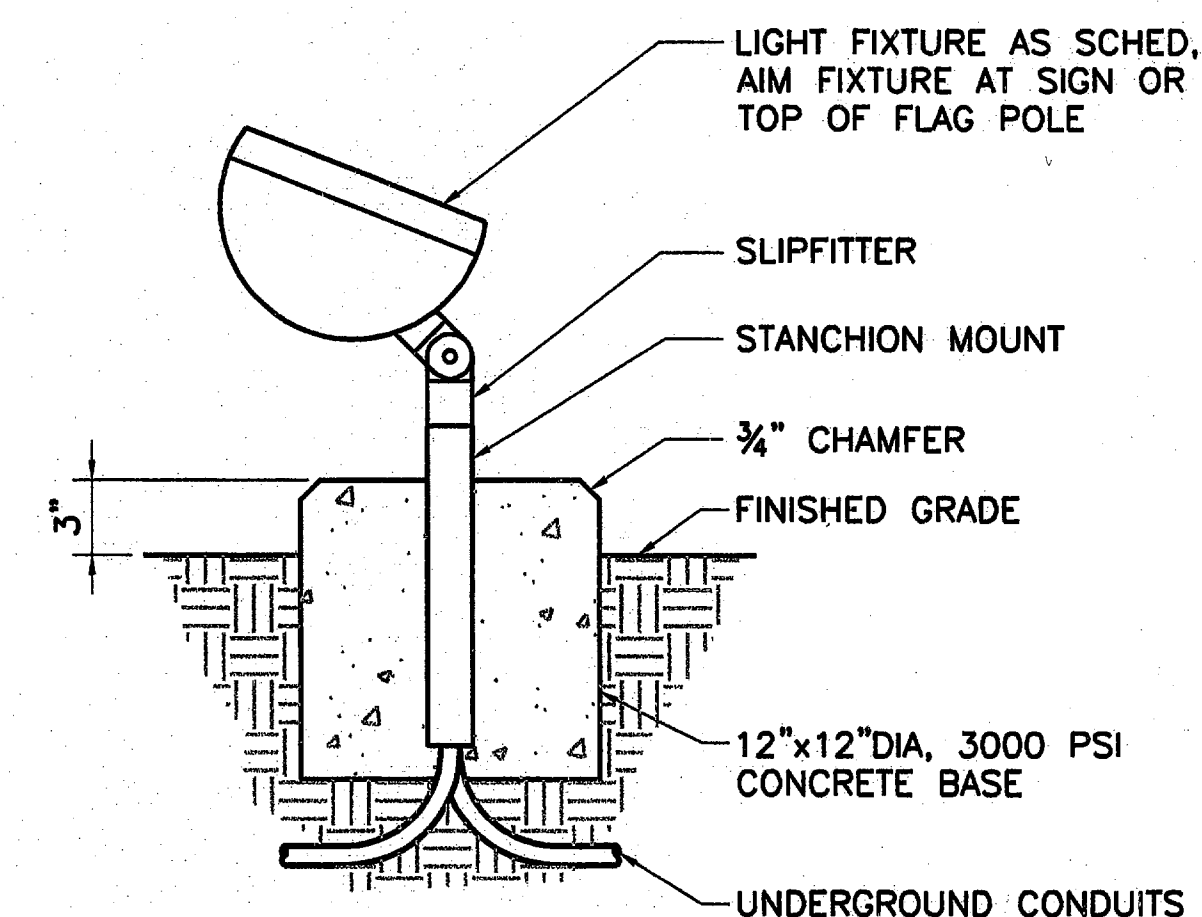


5 GROUND ROD DETAIL
 NOT TO SCALE



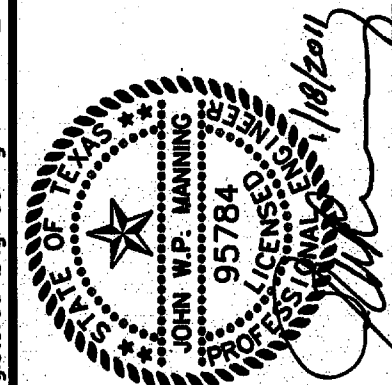
NO.7 GENERAL NOTES:
 1. CONTRACTOR SHALL VERIFY TRANSFORMER.

7 TRANSFORMER PAD
 NOT TO SCALE



8 GROUND FLOOD LIGHT
 NOT TO SCALE

Freese and Nichols, Inc.
 Texas Registered Engineering Firm F-2144



FREES & NICHOLS
 2200 S. Jones Blvd., Suite 330
 Dallas, TX 75205-7580
 Phone - (940) 397-4600
 Fax - (940) 397-4677

TOWN OF ADDISON, TEXAS
 SURVEYOR 1.5 MG EST

ELECTRICAL
 DETAILS

NO. ISSUE	DATE	BY	DESIGNED	DRAWN	CHECKED	FILE NAME
	01/18/11		JMM	JAE	REVIS	EL-ADD-DT-MISC01.dwg
Bar is one inch on original drawing if not one inch on this sheet, adjust scale.						
VERIFY SCALE						

SHEET
E-8
 SEQ.

N:\elec\EL-ADD-DT-MISC01.dwg (ATUUI: EL-ADD-DT-MISC01) TWSJ
 Jan 18, 2011 2:03pm
 REFERENCES: N:\elec\BASE\WIM-STAMP.dwg N:\Standard\X4-BORDER.dwg 95784.dwg