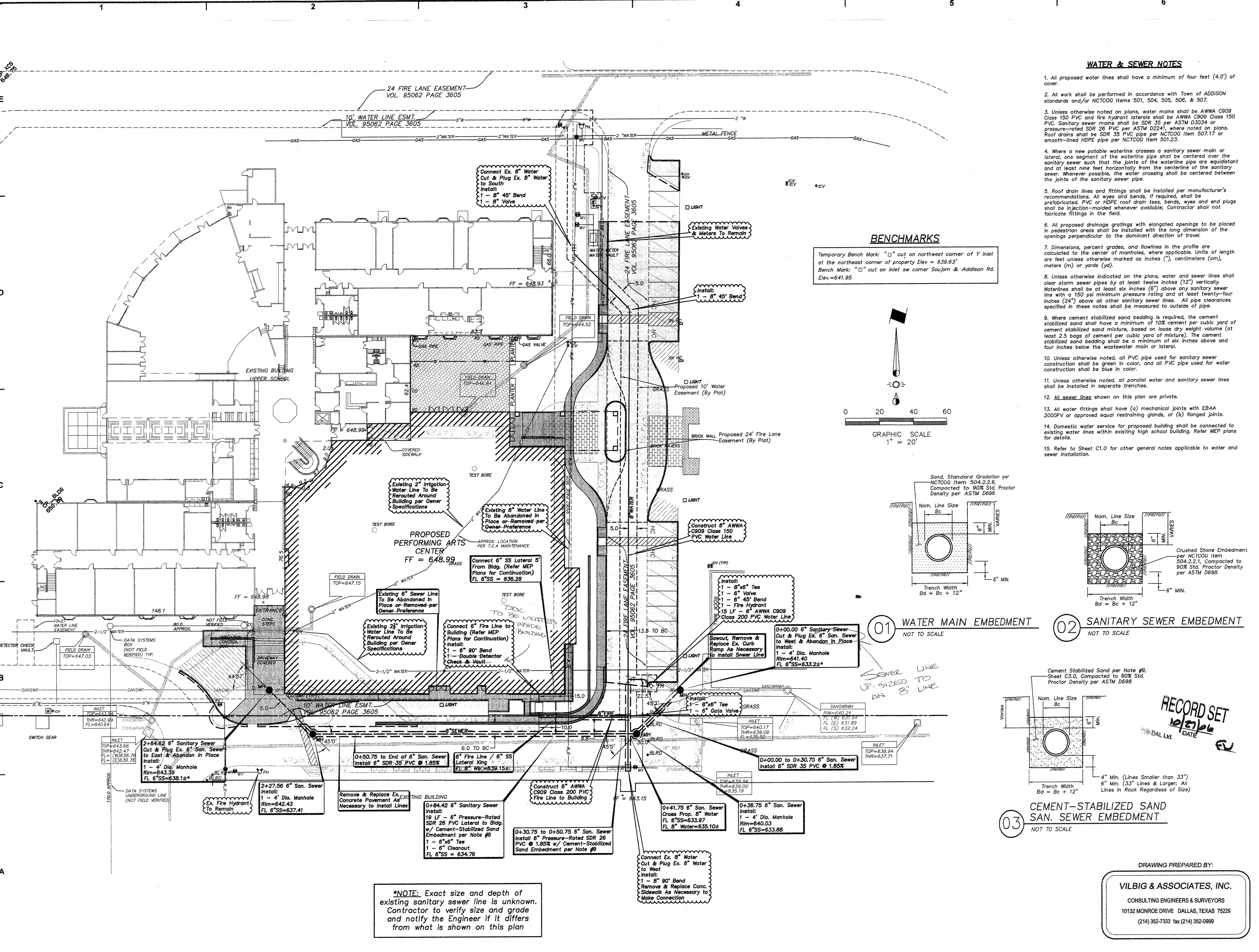


Unauthorized duplication is prohibited.

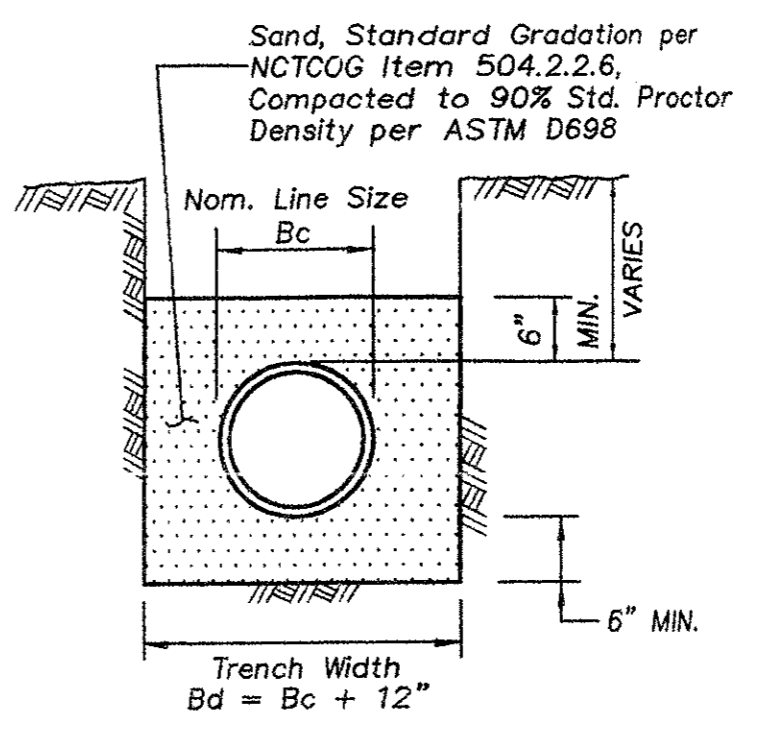
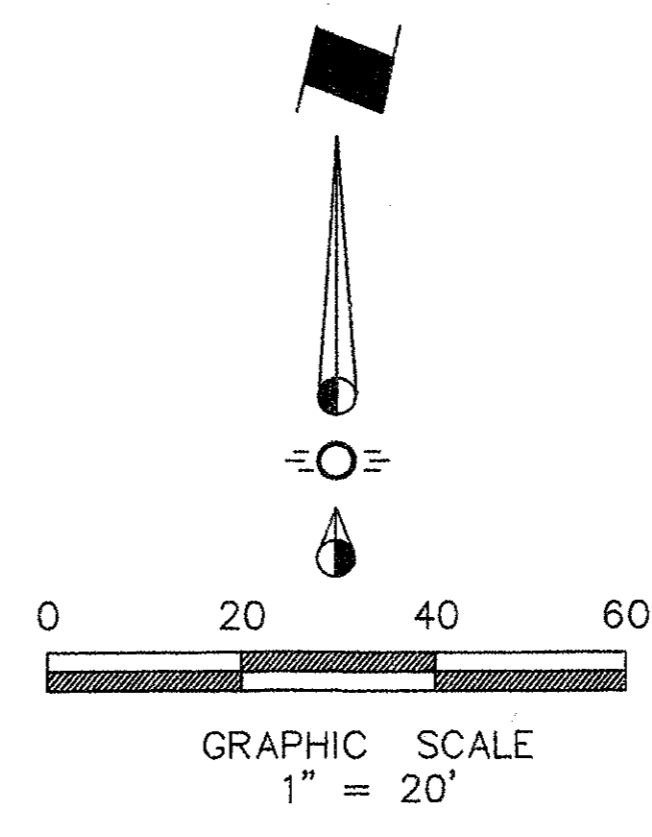


**WATER & SEWER NOTES**

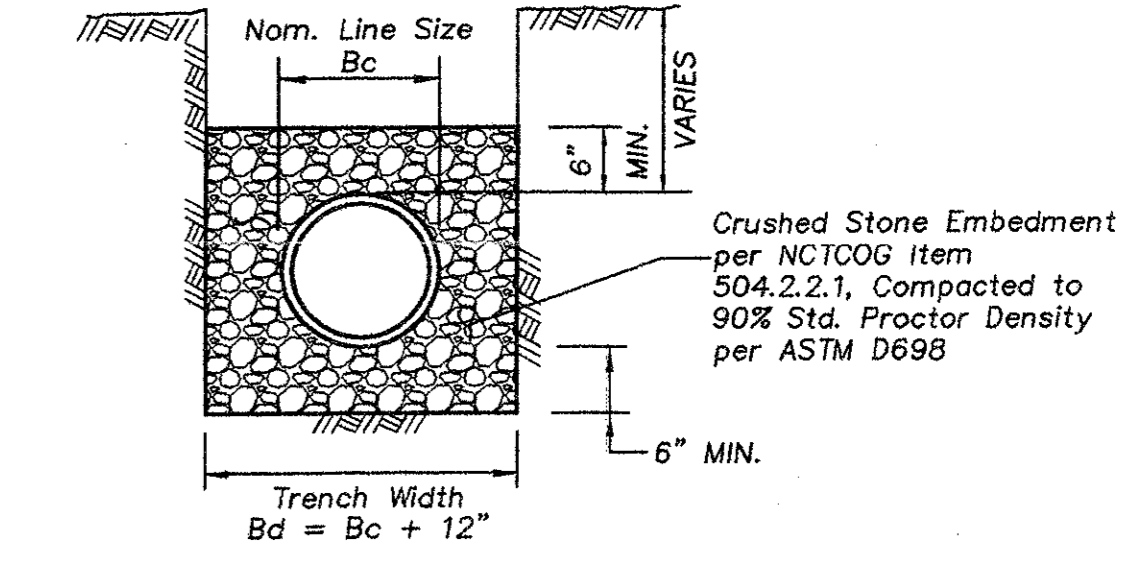
- All proposed water lines shall have a minimum of four feet (4.0') of cover.
- All work shall be performed in accordance with Town of ADDISON standards and/or NCTCOG Items 501, 504, 505, 506, & 507.
- Unless otherwise noted on plans, water mains shall be AWWA C909 Class 150 PVC and fire hydrant laterals shall be AWWA C909 Class 150 PVC. Sanitary sewer mains shall be SDR 35 per ASTM D3034 or pressure-rated SDR 26 PVC per ASTM D2241, where noted on plans. Roof drains shall be SDR 35 PVC pipe per NCTCOG Item 501.17 or smooth-lined HDPE pipe per NCTCOG Item 501.23.
- Where a new potable waterline crosses a sanitary sewer main or lateral, one segment of the waterline pipe shall be centered over the sanitary sewer such that the joints of the waterline pipe are equidistant and at least nine feet horizontally from the centerline of the sanitary sewer. Whenever possible, the water crossing shall be centered between the joints of the sanitary sewer pipe.
- Roof drain lines and fittings shall be installed per manufacturer's recommendations. All wyes and bends, if required, shall be prefabricated. PVC or HDPE roof drain tees, bends, wyes and end caps shall be injection-molded whenever available; Contractor shall not fabricate fittings in the field.
- All proposed drainage gratings with elongated openings to be placed in pedestrian areas shall be installed with the long dimension of the openings perpendicular to the dominant direction of travel.
- Dimensions, percent grades, and flowlines in the profile are calculated to the center of manholes, where applicable. Units of length are feet unless otherwise marked as inches ("), centimeters (cm), meters (m) or yards (yd).
- Unless otherwise indicated on the plans, water and sewer lines shall clear storm sewer pipes by at least twelve inches (12") vertically. Waterlines shall be at least six inches (6") above any sanitary sewer line with a 150 psi minimum pressure rating and at least twenty-four inches (24") above all other sanitary sewer lines. All pipe clearances specified in these notes shall be measured to outside of pipe.
- Where cement stabilized sand bedding is required, the cement stabilized sand mixture, based on loose dry weight volume (at least 2.5 bags of cement per cubic yard of mixture). The cement stabilized sand bedding shall be a minimum of six inches above and four inches below the wastewater main or lateral.
- Unless otherwise noted, all PVC pipe used for sanitary sewer construction shall be green in color, and all PVC pipe used for water construction shall be blue in color.
- Unless otherwise noted, all parallel water and sanitary sewer lines shall be installed in separate trenches.
- All sewer lines shown on this plan are private.
- All water fittings shall have (a) mechanical joints with EBAA 2000PV or approved equal restraining glands, or (b) flanged joints.
- Domestic water service for proposed building shall be connected to existing water lines within existing high school building. Refer MEP plans for details.
- Refer to Sheet C1.0 for other general notes applicable to water and sewer installation.

**BENCHMARKS**

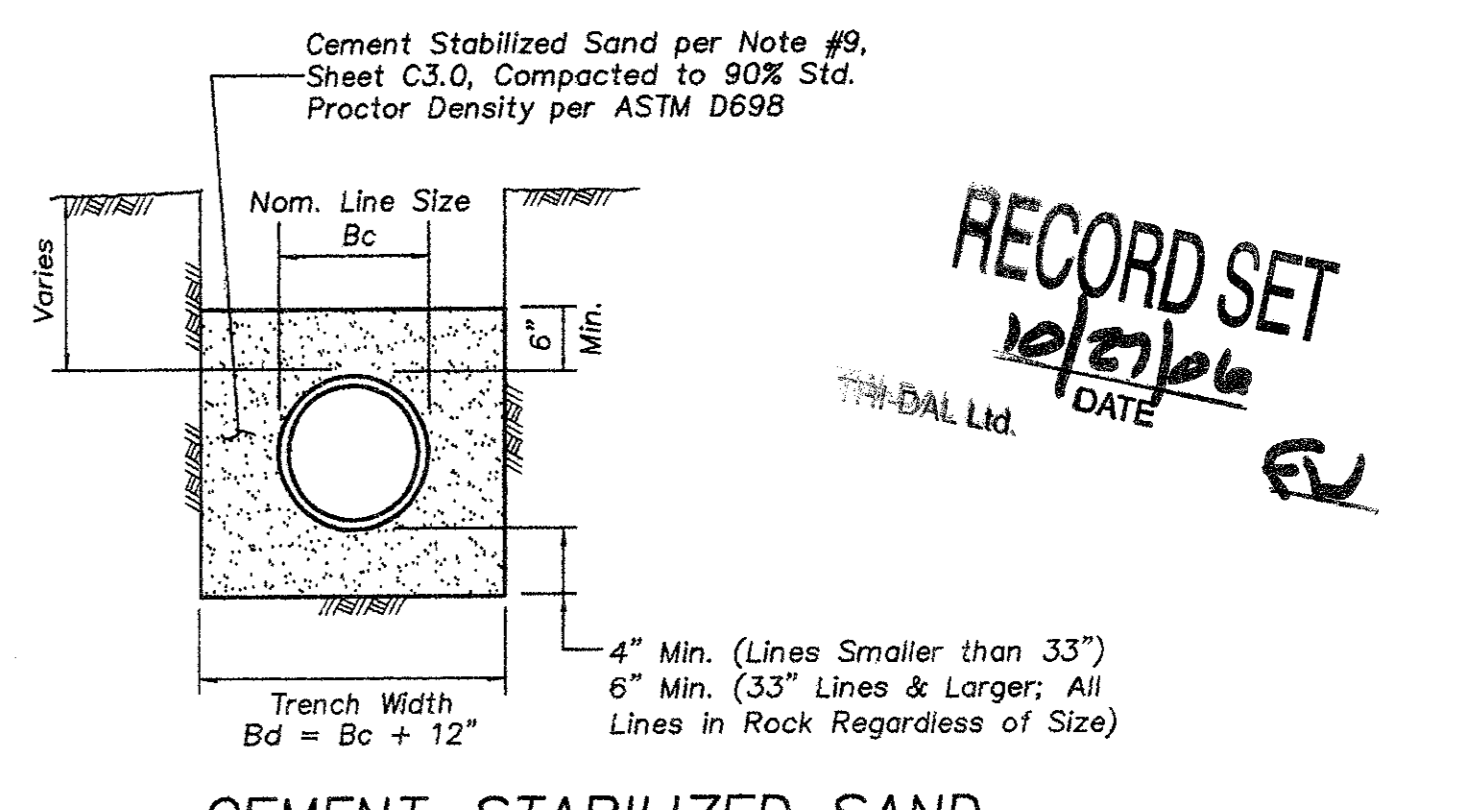
Temporary Bench Mark: "□" cut on northwest corner of Y inlet at the northeast corner of property Elev = 639.63"  
 Bench Mark: "□" cut on inlet sw corner Soujorn & Addison Rd. Elev.=641.95



01 WATER MAIN EMBEDMENT NOT TO SCALE



02 SANITARY SEWER EMBEDMENT NOT TO SCALE



03 CEMENT-STABILIZED SAND SAN. SEWER EMBEDMENT NOT TO SCALE

**\*NOTE:** Exact size and depth of existing sanitary sewer line is unknown. Contractor to verify size and grade and notify the Engineer if it differs from what is shown on this plan

**BGW SUPPLY**  
 2008 WASHINGTON BLVD.  
 OGDEN, UTAH 84001  
 PHONE: 801-621-4781

**BGW Building God's Way**  
 1000 W. UNIVERSITY BLVD. SUITE 100  
 OGDEN, UTAH 84001  
 PHONE: 801-621-4781

**TRINITY CHRISTIAN ACADEMY**  
**NEW PERFORMING ARTS BLDG.**  
 EARLY SITE & FOUNDATION PACKAGE  
 17001 ADDISON RD., ADDISON, TX 75001

**WATER & SEWER PLAN**

**RECORD SET**  
 DATE: 10/27/06  
 BY: DAL

**DRAWING PREPARED BY:**  
**VILBIG & ASSOCIATES, INC.**  
 CONSULTING ENGINEERS & SURVEYORS  
 10132 MONROE DRIVE DALLAS, TEXAS 75229  
 (214) 352-7333 fax (214) 352-0999

Project: AS-081

**C3.0**

DO NOT SCALE DRAWING

As-Built 10/27/06