

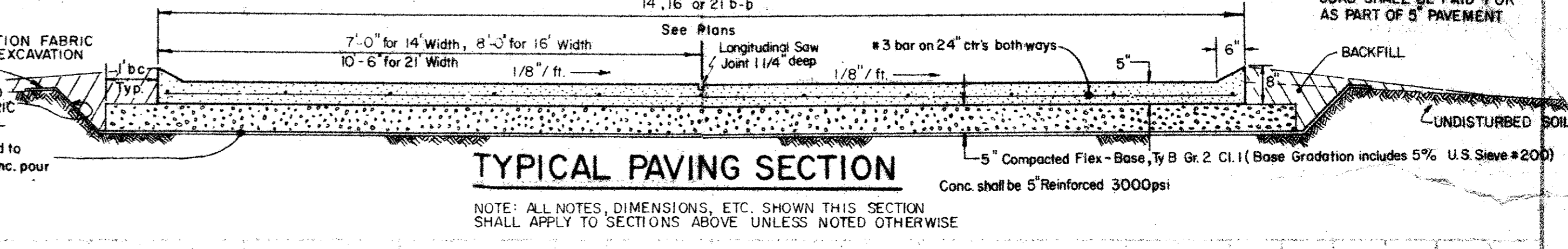
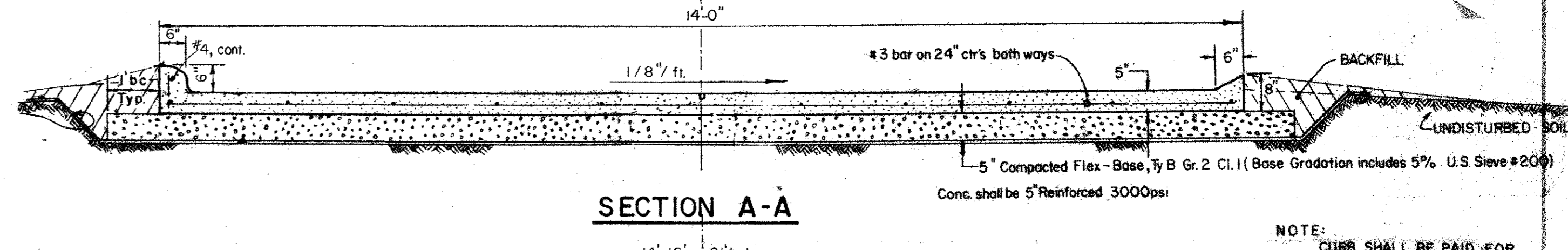
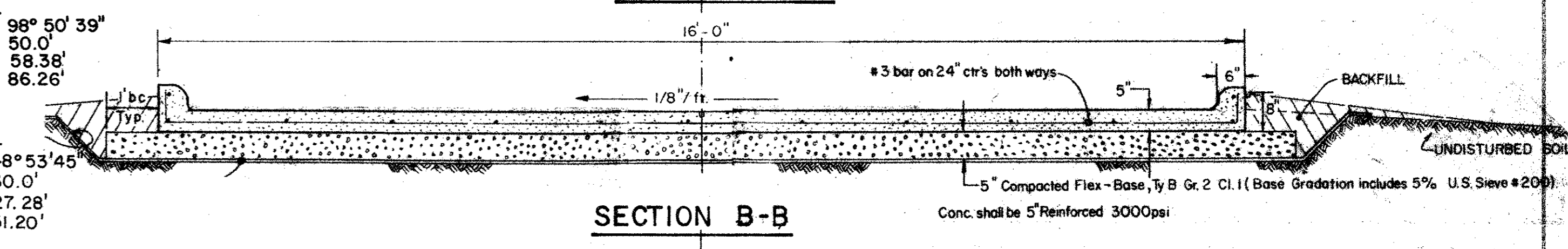
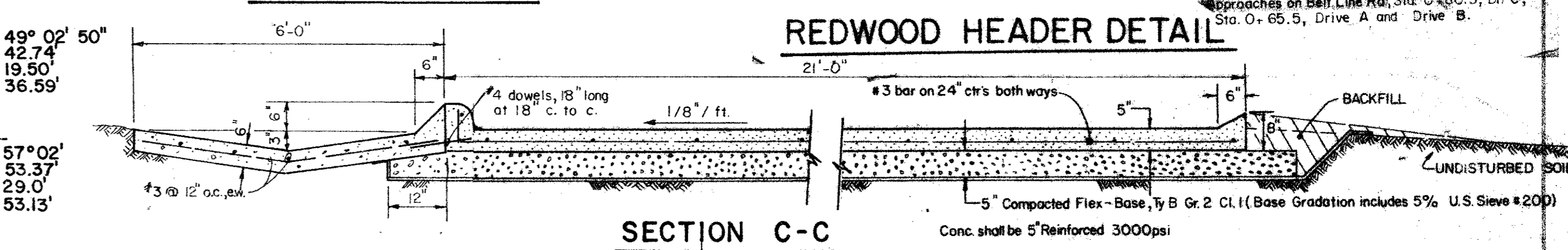
CURVE DATA

C-1
 $\Delta = 49^\circ 02' 50''$
 $R = 42.74'$
 $T = 19.50'$
 $L = 36.59'$

C-2
 $\Delta = 57^\circ 02'$
 $R = 53.37'$
 $T = 29.0'$
 $L = 53.13'$

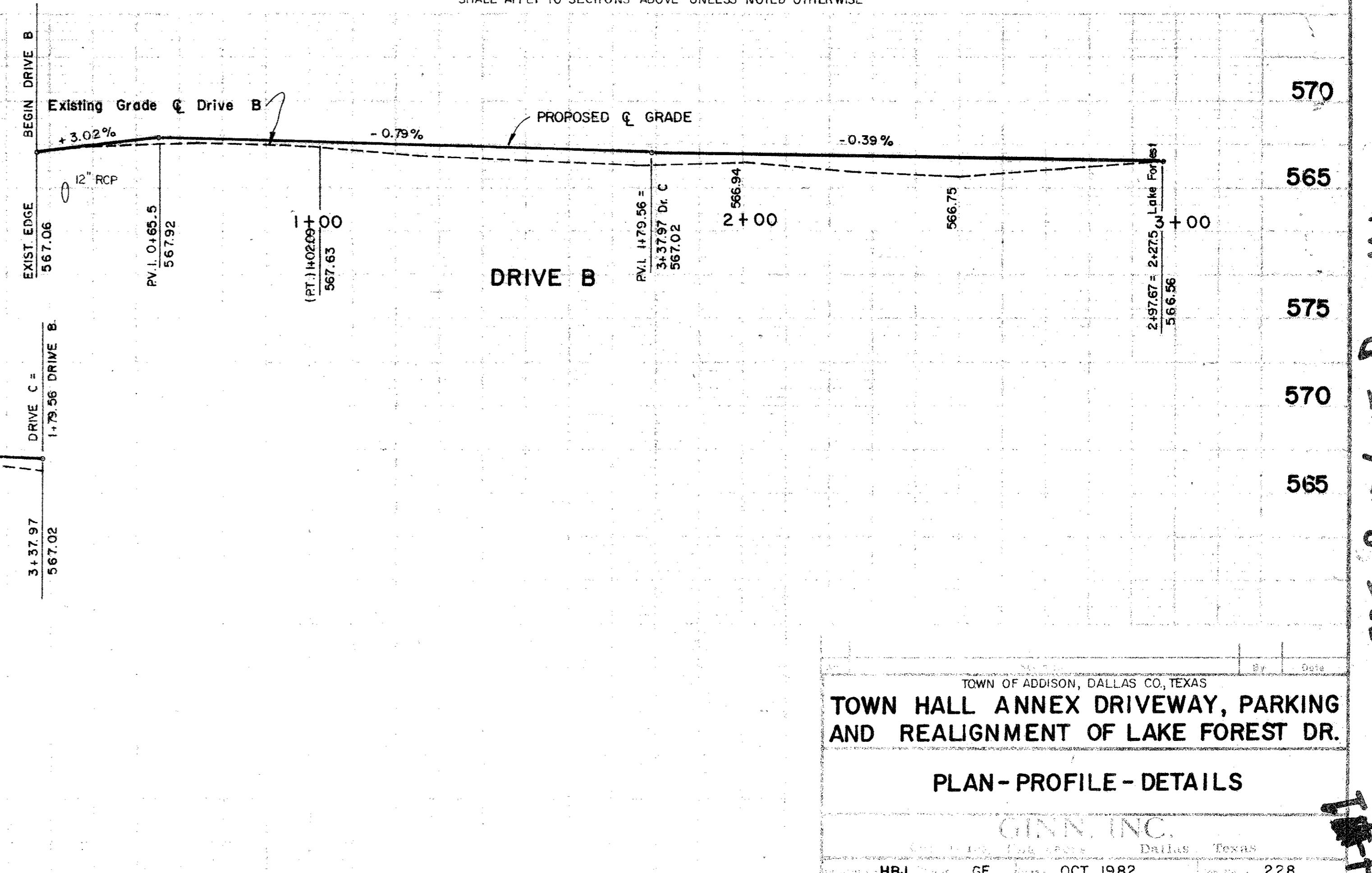
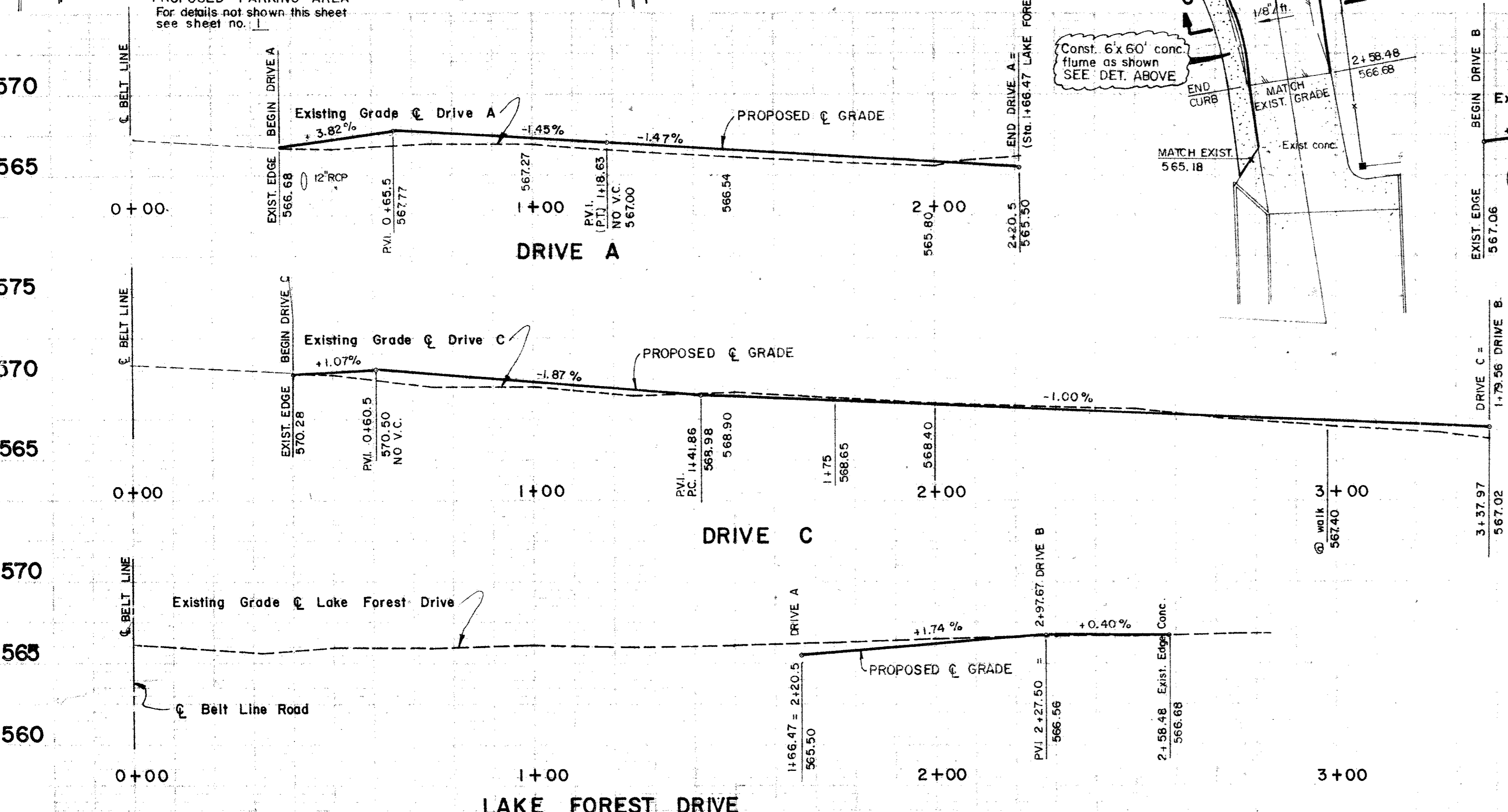
C-3
 $\Delta = 98^\circ 50' 39''$
 $R = 50.0'$
 $T = 58.38'$
 $L = 86.26'$

C-4
 $\Delta = 48^\circ 53' 45''$
 $R = 60.0'$
 $T = 27.28'$
 $L = 51.20'$



TYPICAL PAVING SECTION

NOTE: ALL NOTES, DIMENSIONS, ETC. SHOWN THIS SECTION SHALL APPLY TO SECTIONS ABOVE UNLESS NOTED OTHERWISE



TOWN OF ADDISON, DALLAS CO, TEXAS
TOWN HALL ANNEX DRIVEWAY, PARKING AND REALIGNMENT OF LAKE FOREST DR.

PLAN - PROFILE - DETAILS

GINN INC.
 Dallas, Texas

HBJ GF OCT. 1982 228
 HWG HBJ H-1"=20' V-1"=5'

B4-1
 5350 BELT LINE DRIVEWAY