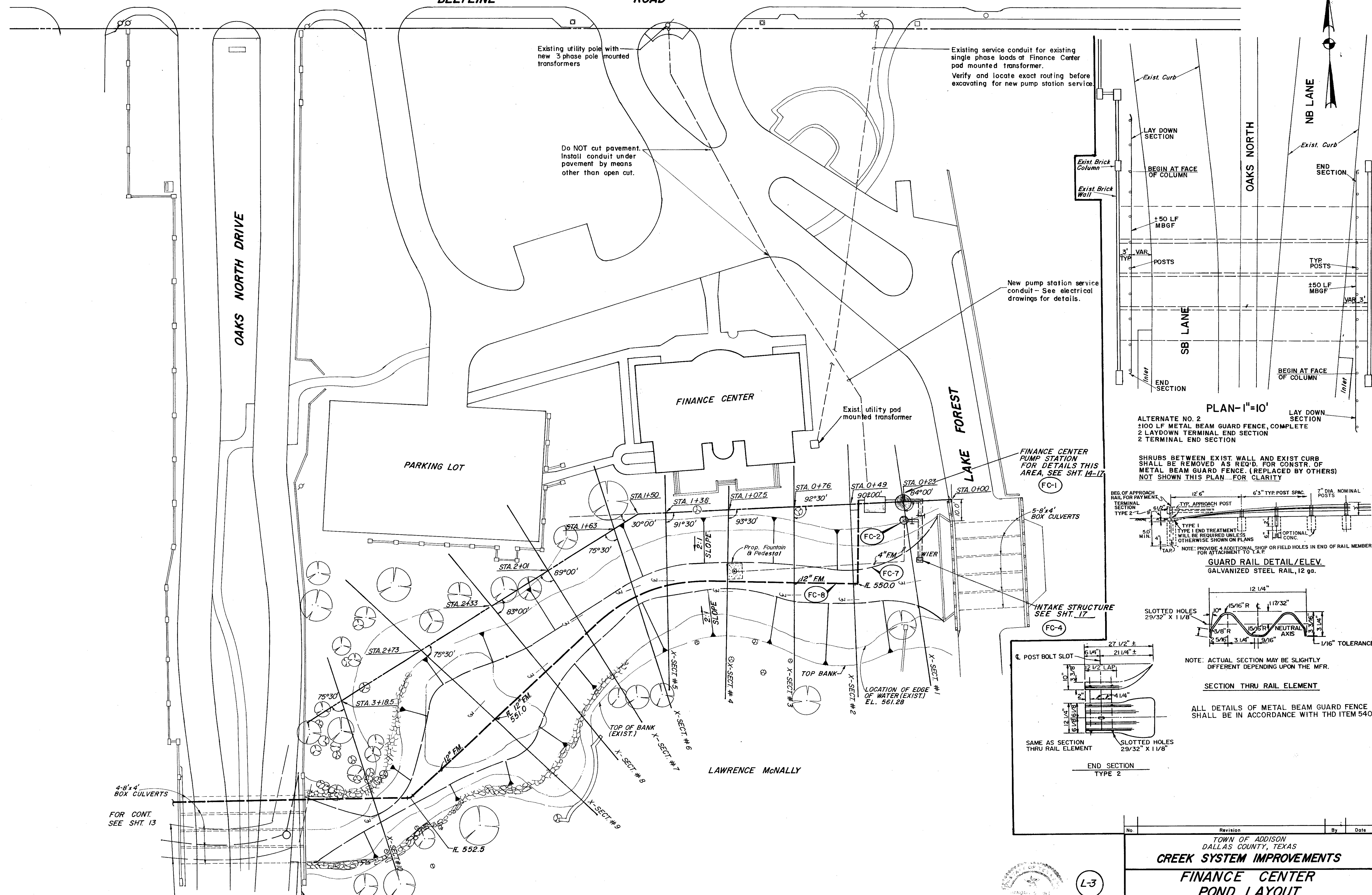


**BELTLINE ROAD**



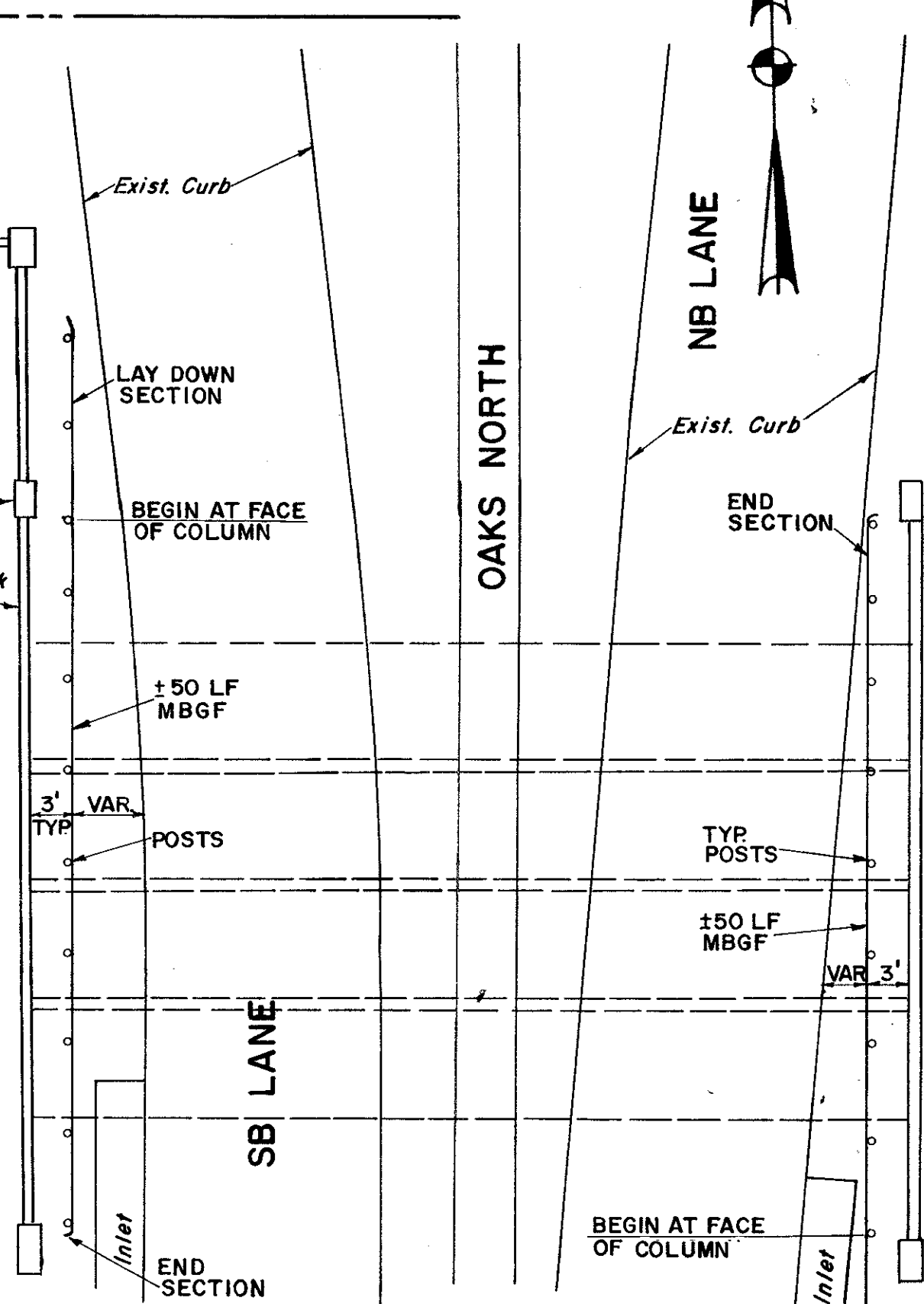
Existing utility pole with new 3 phase pole mounted transformers

Do NOT cut pavement. Install conduit under pavement by means other than open cut.

Existing service conduit for existing single phase loads at Finance Center pad mounted transformer. Verify and locate exact routing before excavating for new pump station service.

New pump station service conduit - See electrical drawings for details.

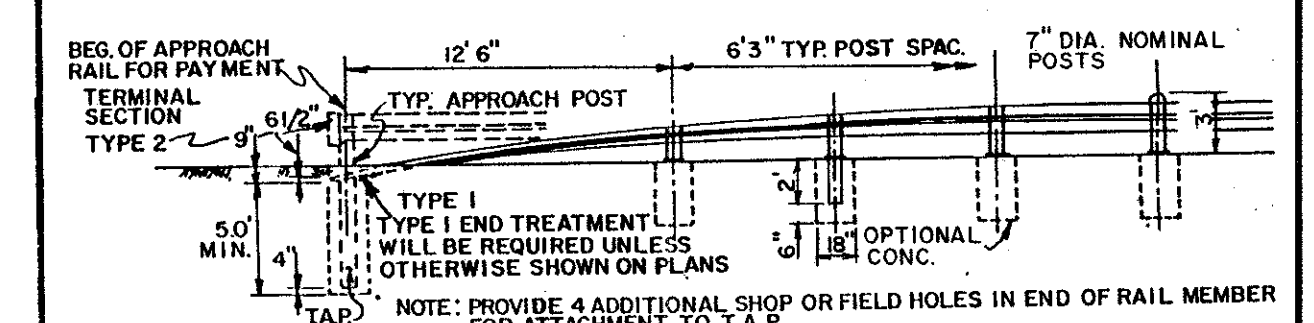
FINANCE CENTER PUMP STATION FOR DETAILS THIS AREA, SEE SHT. 14-17



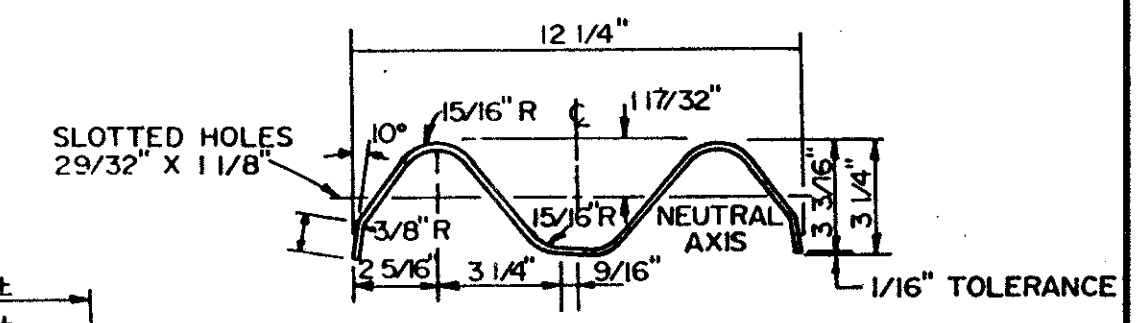
PLAN-1"=10'

ALTERNATE NO. 2  
±100 LF METAL BEAM GUARD FENCE, COMPLETE  
2 LAYDOWN TERMINAL END SECTION  
2 TERMINAL END SECTION

SHRUBS BETWEEN EXIST. WALL AND EXIST. CURB SHALL BE REMOVED AS REQ'D. FOR CONSTR. OF METAL BEAM GUARD FENCE. (REPLACED BY OTHERS) NOT SHOWN THIS PLAN FOR CLARITY



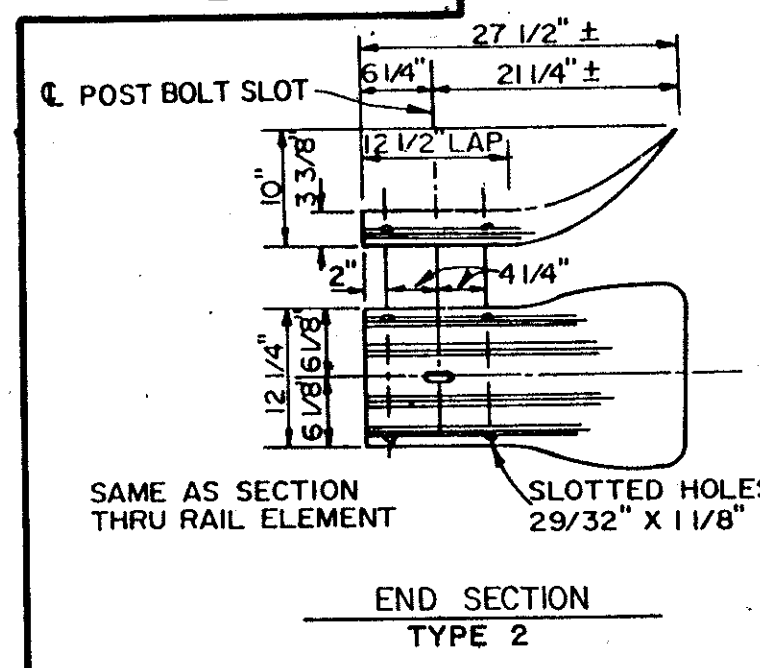
GUARD RAIL DETAIL/ELEV.  
GALVANIZED STEEL RAIL, 12 ga.



NOTE: ACTUAL SECTION MAY BE SLIGHTLY DIFFERENT DEPENDING UPON THE MFR.

SECTION THRU RAIL ELEMENT

ALL DETAILS OF METAL BEAM GUARD FENCE SHALL BE IN ACCORDANCE WITH THD ITEM 540



SAME AS SECTION THRU RAIL ELEMENT  
END SECTION TYPE 2

LAWRENCE McNALLY

4-8'x4' BOX CULVERTS  
FOR CONT. SEE SHT. 13

EXIST. 15' SAN. SWR. ESM'T.

METAL BEAM GUARD FENCE SEE DETAIL THIS SHT.

Randall C. Hill  
1-20-89

L-3

No.	Revision	By	Date
TOWN OF ADDISON DALLAS COUNTY, TEXAS <b>CREEK SYSTEM IMPROVEMENTS</b> <b>FINANCE CENTER POND LAYOUT</b> GINN, INC. Consulting Engineers Dallas, Texas			
Designed - RCH	Drawn - DEM	Date - OCT., 1988	Job No. - 369
Approved - HWG	Checked - RCH	Scale - 1" = 20'	Sheet 12 of 23