

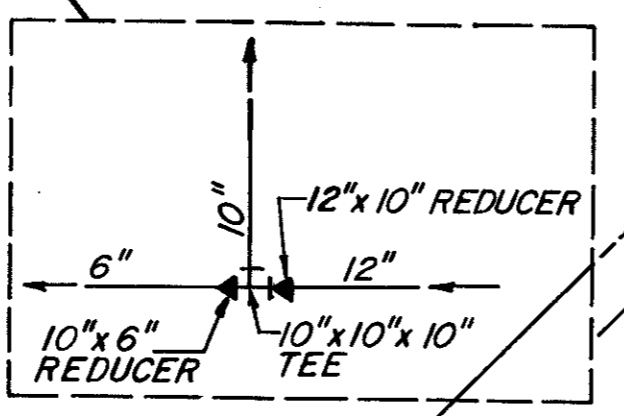
"NORTH" DISCHARGE STRUCTURE, SEE SHT. 17, EL. 574.0 TO BE FIELD LOCATED, WY ENGR'S APPROVAL

INSTALL APPROX. 190 LF 10" DIA. FM. AT CREEK

INSTALL APPROX. 990 LF 12" DIA. FM. PLACED AT C. OF EXIST. CREEK BOTTOM

NOTE: EXIST. 12" VCT SANI. SWR. LINE (DALLAS 411Q 1960A) LOCATED AT APPROX. C. OF CREEK. ALSO VERIFY LOCATION PRIOR TO INSTALLATION OF 12" Ø FM.

INSTALL APPROX. 175 LF 6" DIA. FM. AT CREEK



"SOUTH" DISCHARGE STRUCTURE EL. 574.0, SEE SHT. 17, TO BE FIELD LOCATED, WY ENGR. APPROVAL

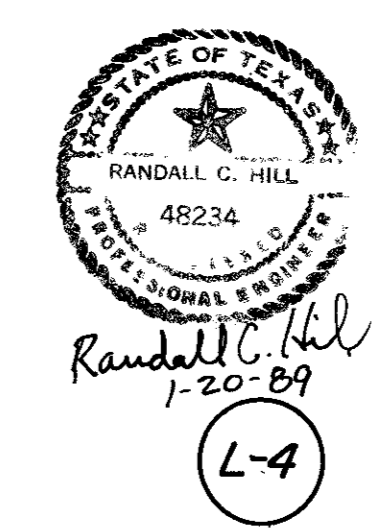
FOR DETAIL THIS AREA, SEE SHT. 14

FOR CONT. SEE SHT. 12

METAL BEAM GUARD FENCE SEE DETAIL SHT. 12

FOR DETAILS OF CONC. RIP-RAP SLOPE PROTECTION SEE SHT. 21

- Prop. Conc. Rip-Rap



L-4

No.	Revision	By	Date
TOWN OF ADDISON DALLAS COUNTY, TEXAS CREEK SYSTEM IMPROVEMENTS			
TOWN HALL POND LAYOUT			
GINN, INC. Consulting Engineers Dallas, Texas			
Designed - RCH	Drawn - DEM	Date - OCT., 1988	Job No. - 369
Approved - HWG	Checked - RCH	Scale - 1" = 20'	Sheet 13 of 23

PREC 33834