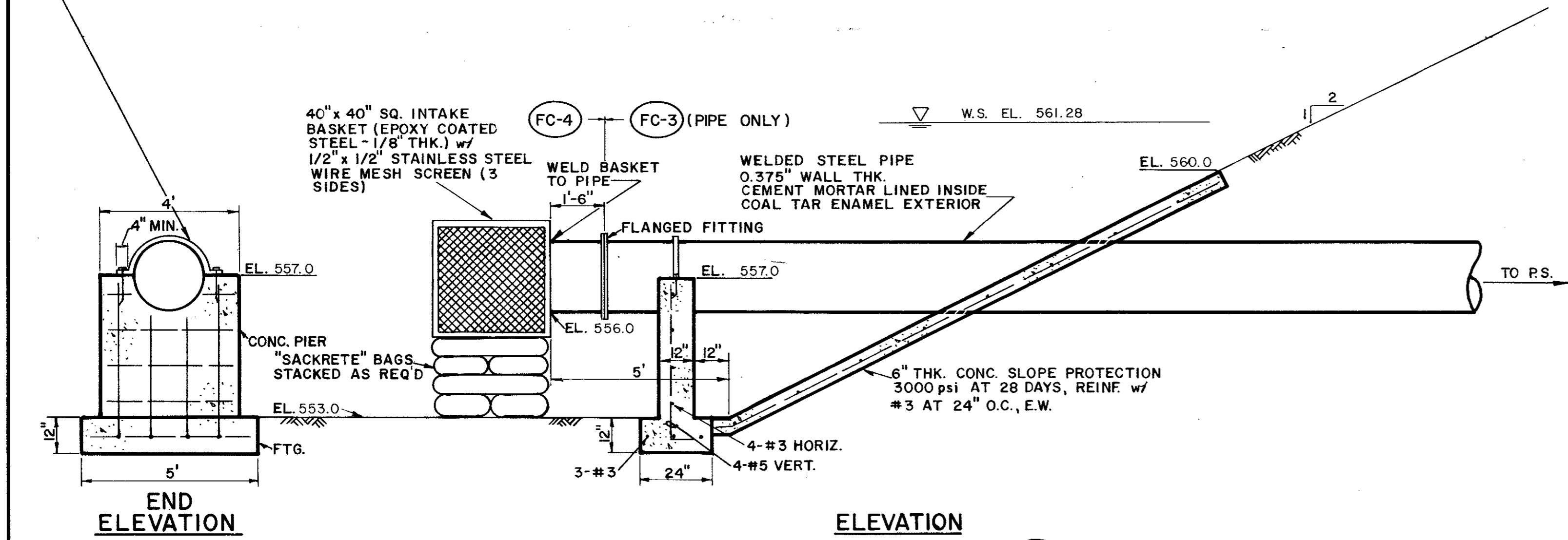
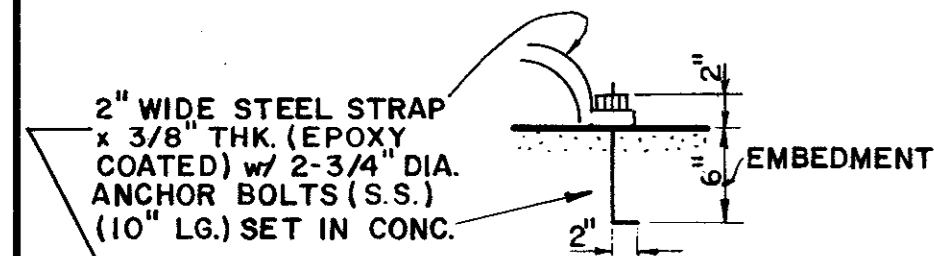
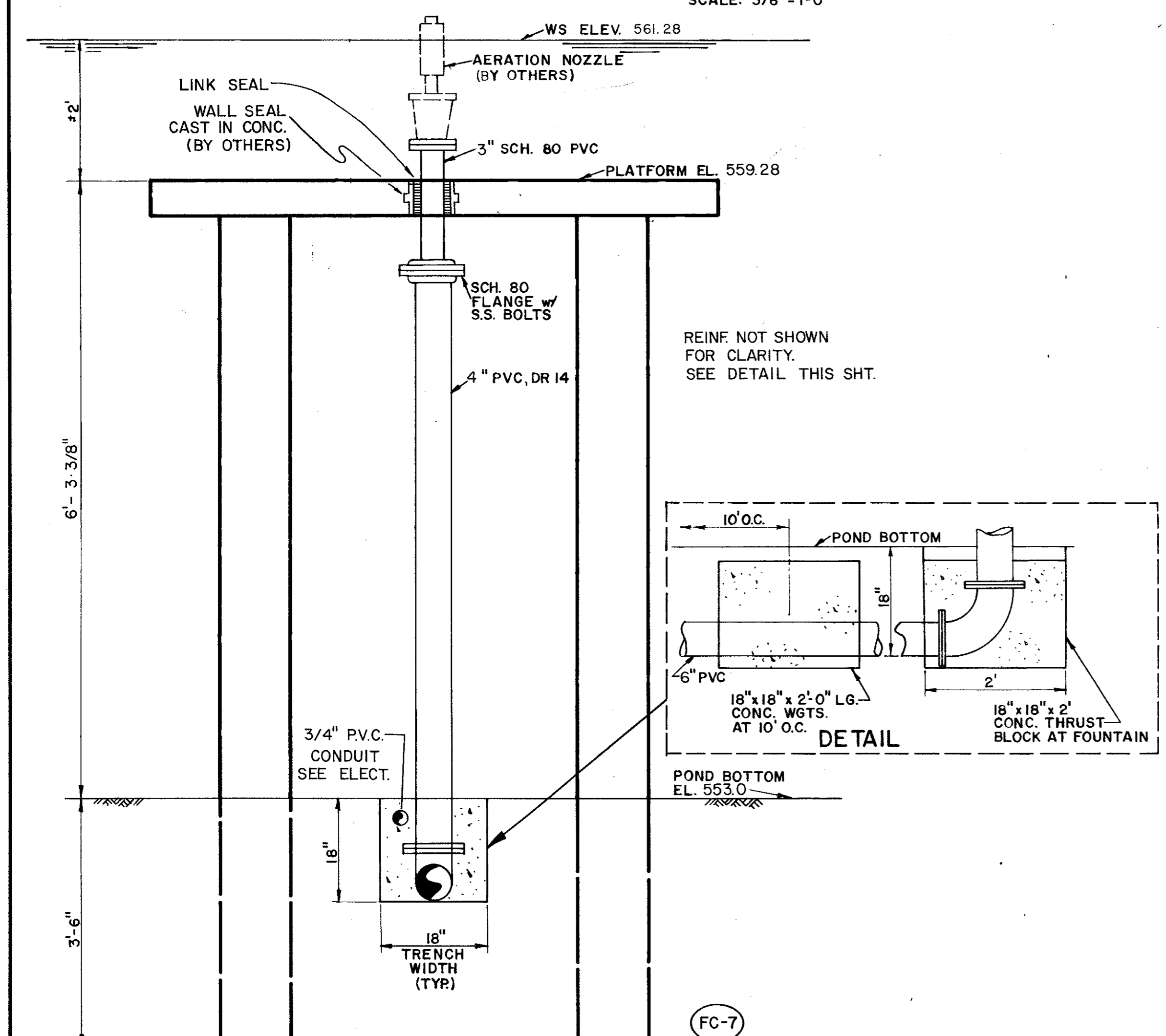


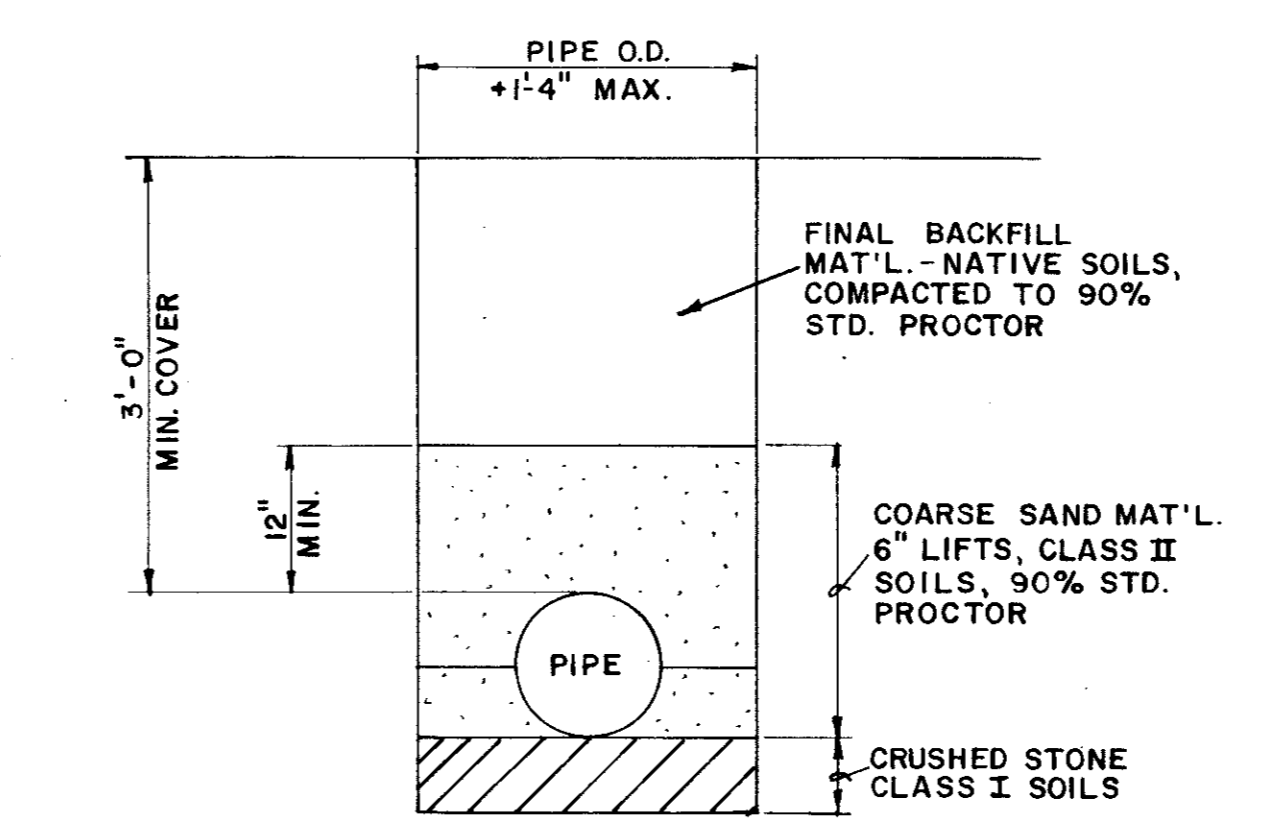
PLAN



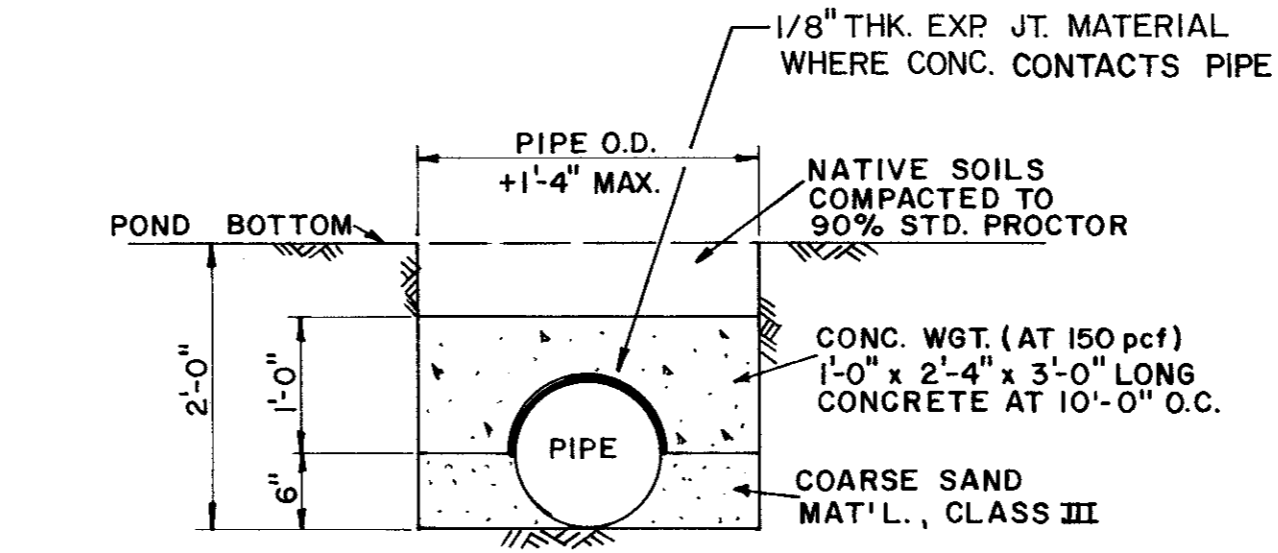
ELEVATION
INTAKE STRUCTURE DETAILS (FC-4)
SCALE: 3/8"=1'-0"



FOUNTAIN DETAIL
N.T.S.

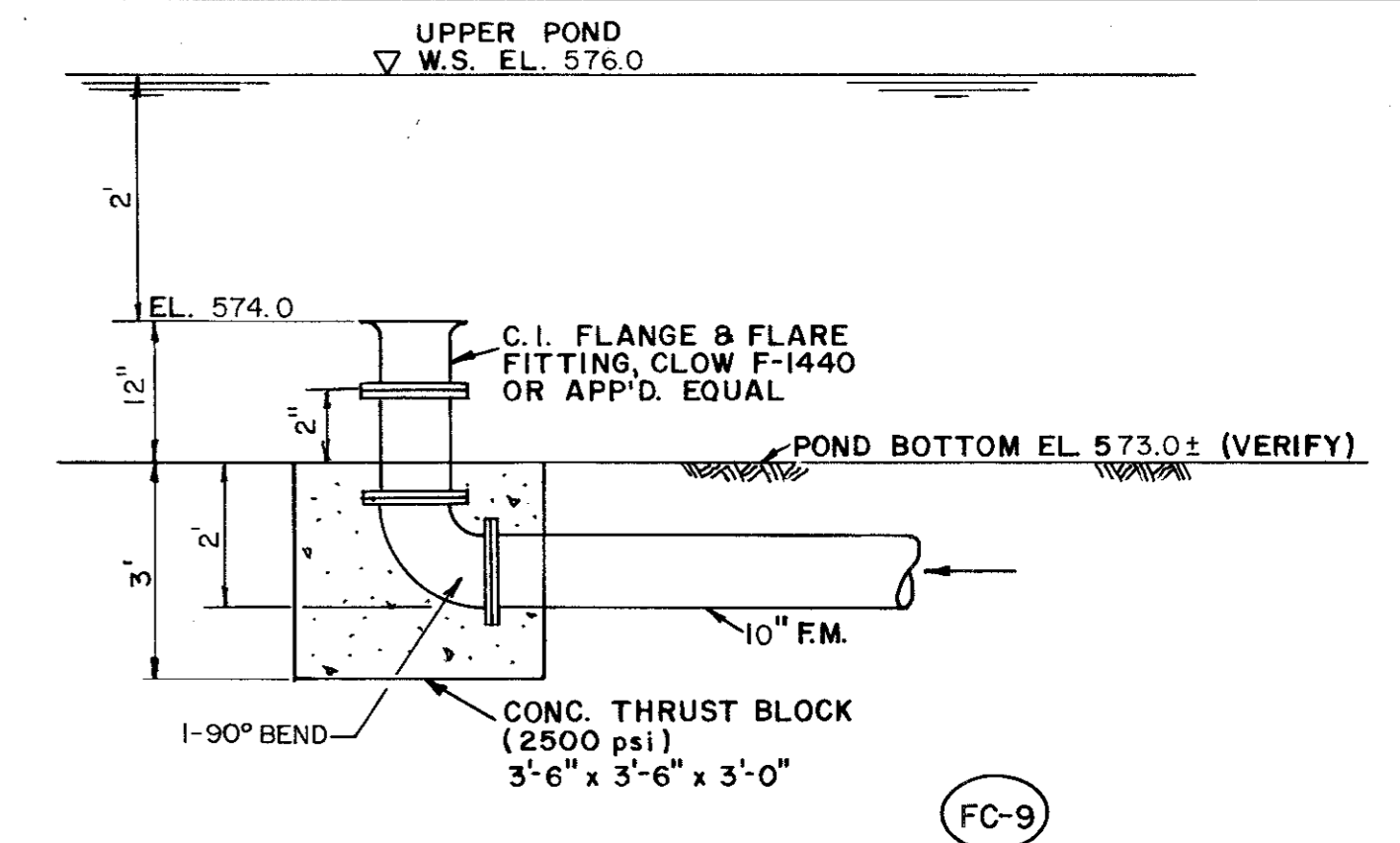


TYP EMBEDMENT/BACKFILL DETAILS (FOR PIPE NOT SUBMERGED)
SCALE: 3/4"=1'-0"

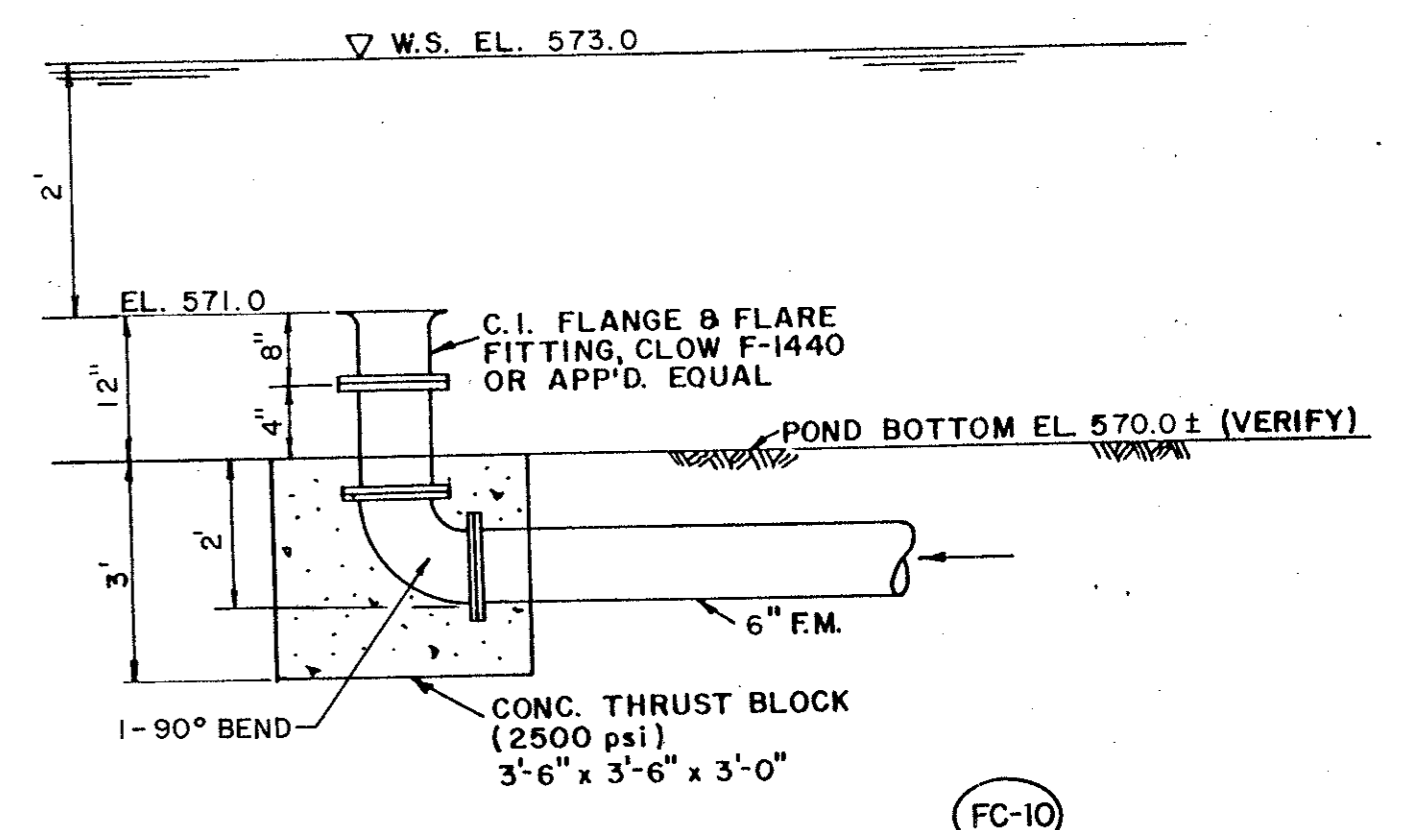


TYP EMBEDMENT/BACKFILL DETAILS (FOR SUBMERGED PIPE)
SCALE: 3/4"=1'-0"

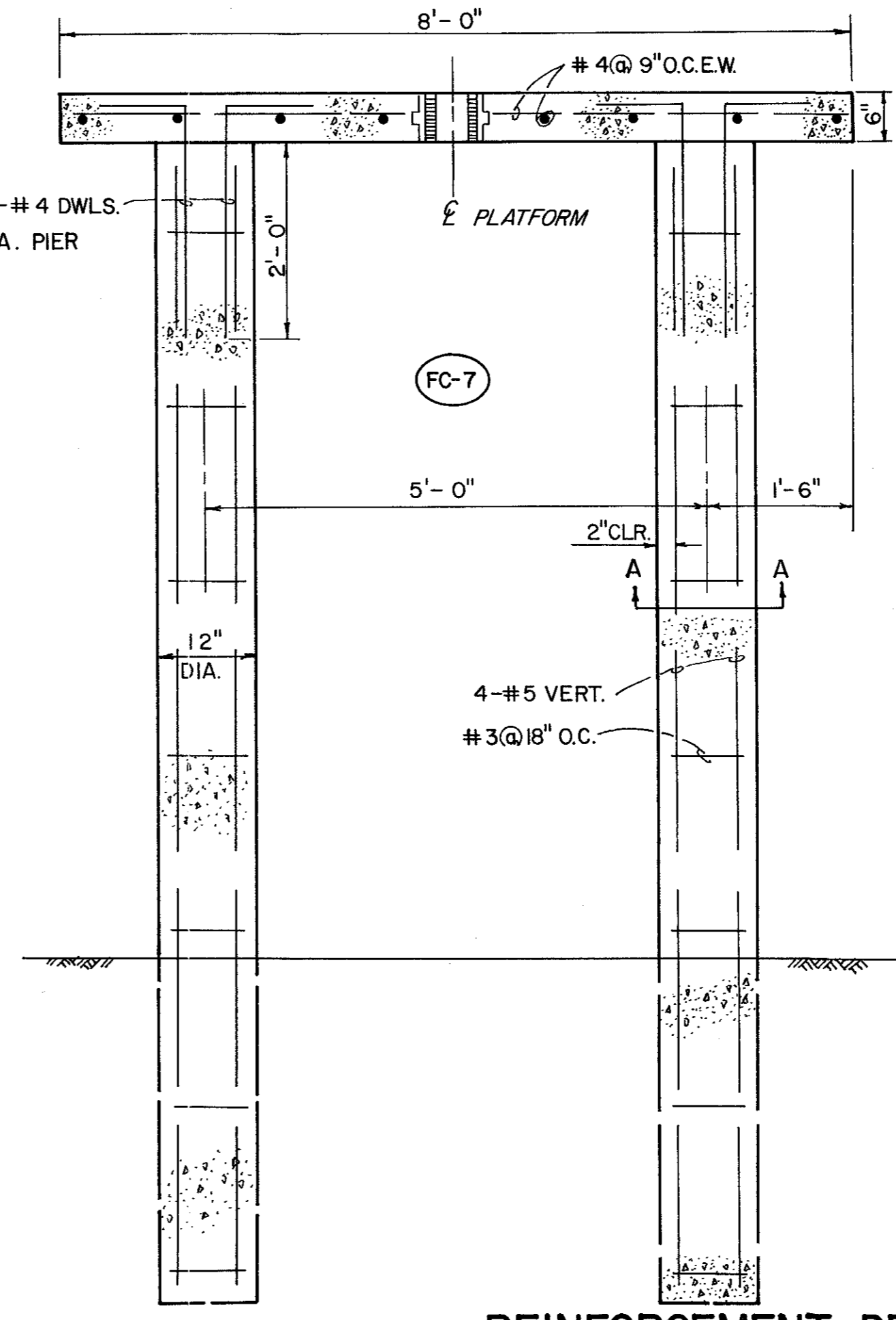
DISCHARGE PIPE DETAILS



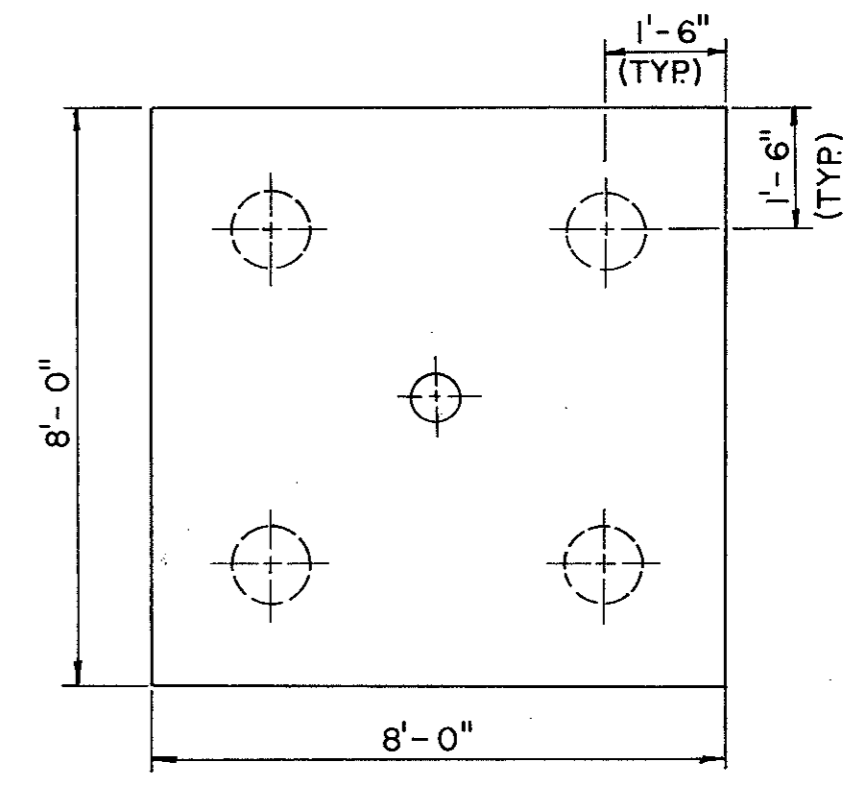
NORTH DISCHARGE STRUCTURE
N.T.S.



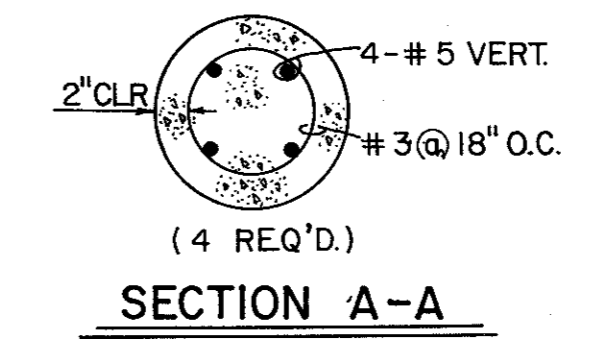
SOUTH DISCHARGE STRUCTURE
SCALE: N.T.S.



REINFORCEMENT DETAIL
N.T.S.



PLATFORM PLAN



No.	Revision	By	Date
TOWN OF ADDISON DALLAS COUNTY, TEXAS CREEK SYSTEM IMPROVEMENTS FINANCE CENTER/TOWN HALL MISCELLANEOUS DETAILS GINN, INC. Consulting Engineers Dallas, Texas			
Designed - AGF	Drawn - DEM	Date - DEC., 1988	Job No. - 369
Approved - HWG	Checked - RCH	Scale - AS NOTED	Sheet 17 of 23