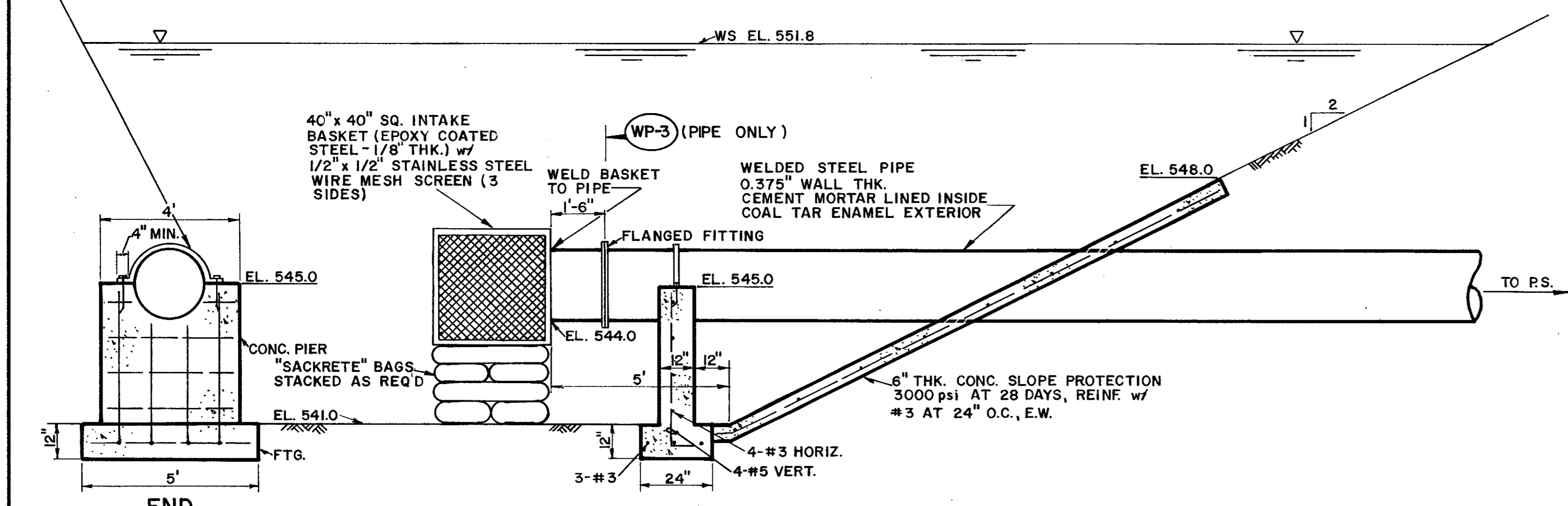
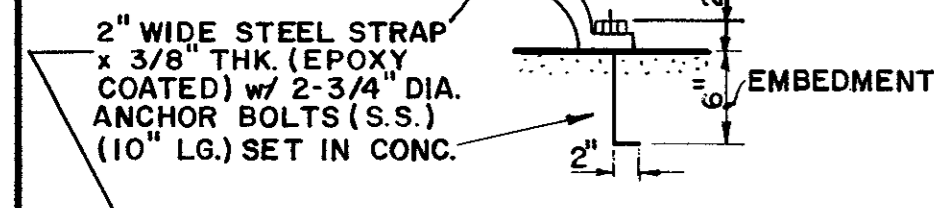


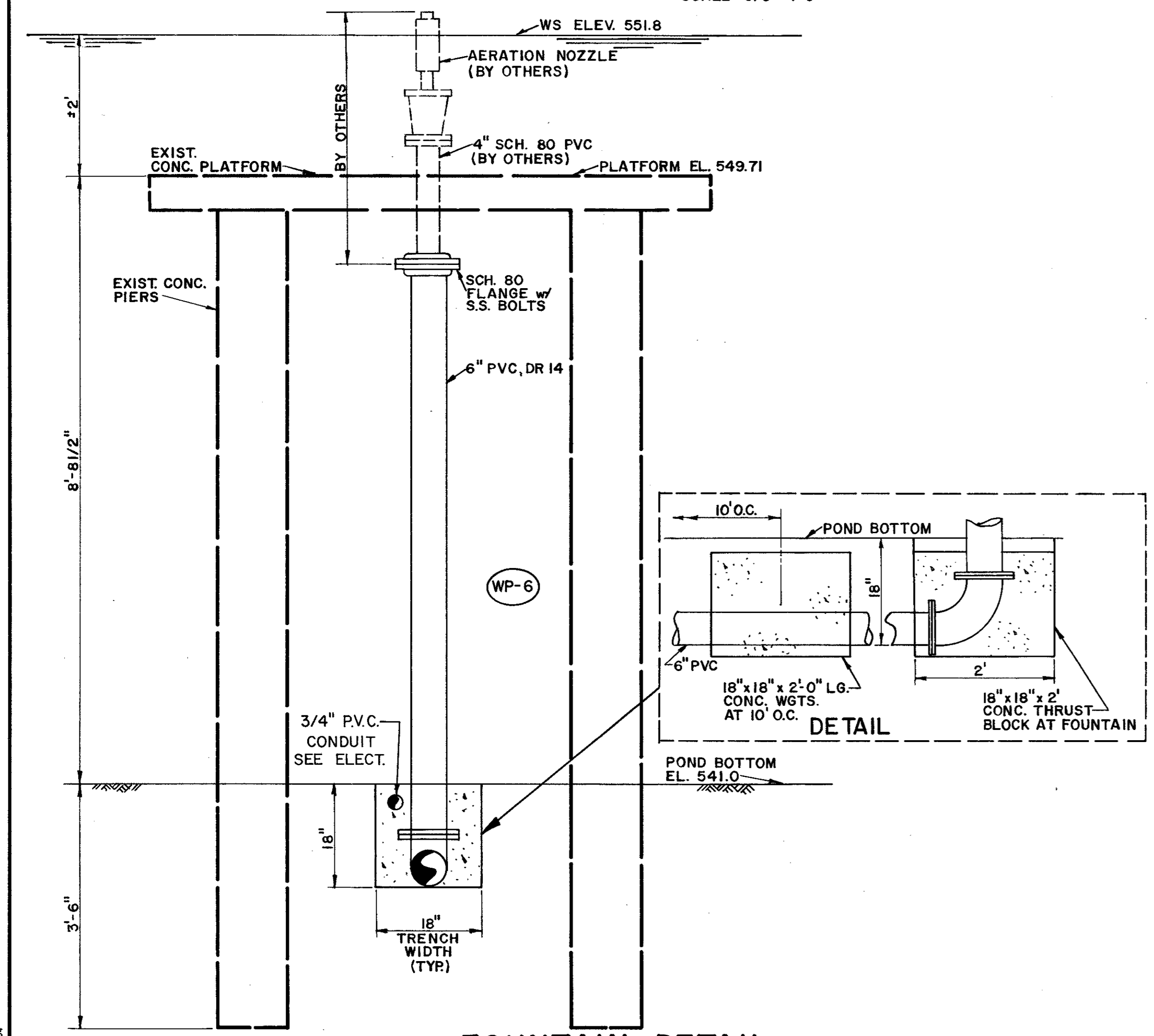
PLAN



ELEVATION

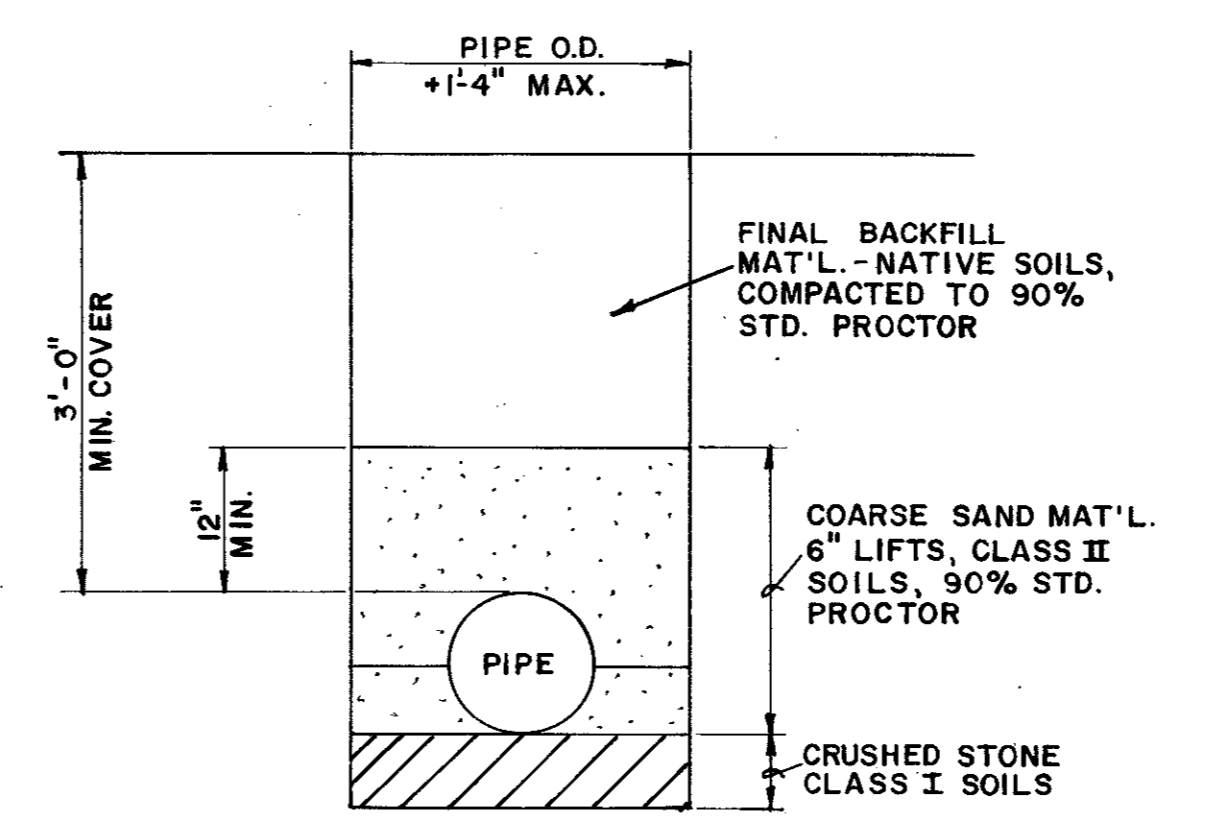
INTAKE STRUCTURE DETAILS

SCALE: 3/8"=1'-0"



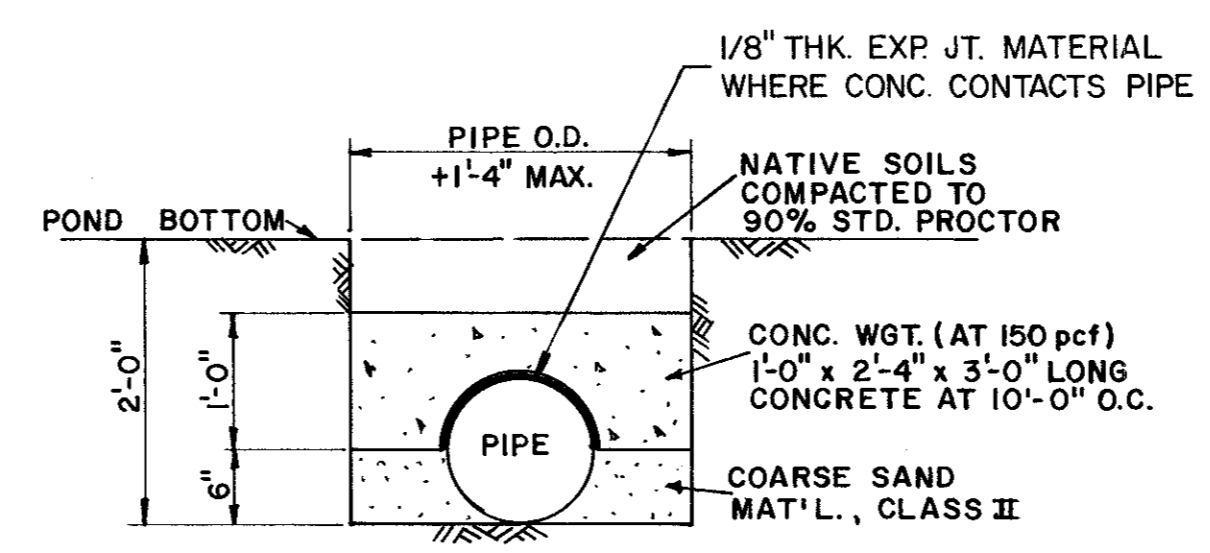
FOUNTAIN DETAIL

SCALE: 3/4"=1'-0"



TYP. EMBEDMENT/BACKFILL DETAILS (FOR PIPE NOT SUBMERGED)

SCALE: 3/4"=1'-0"

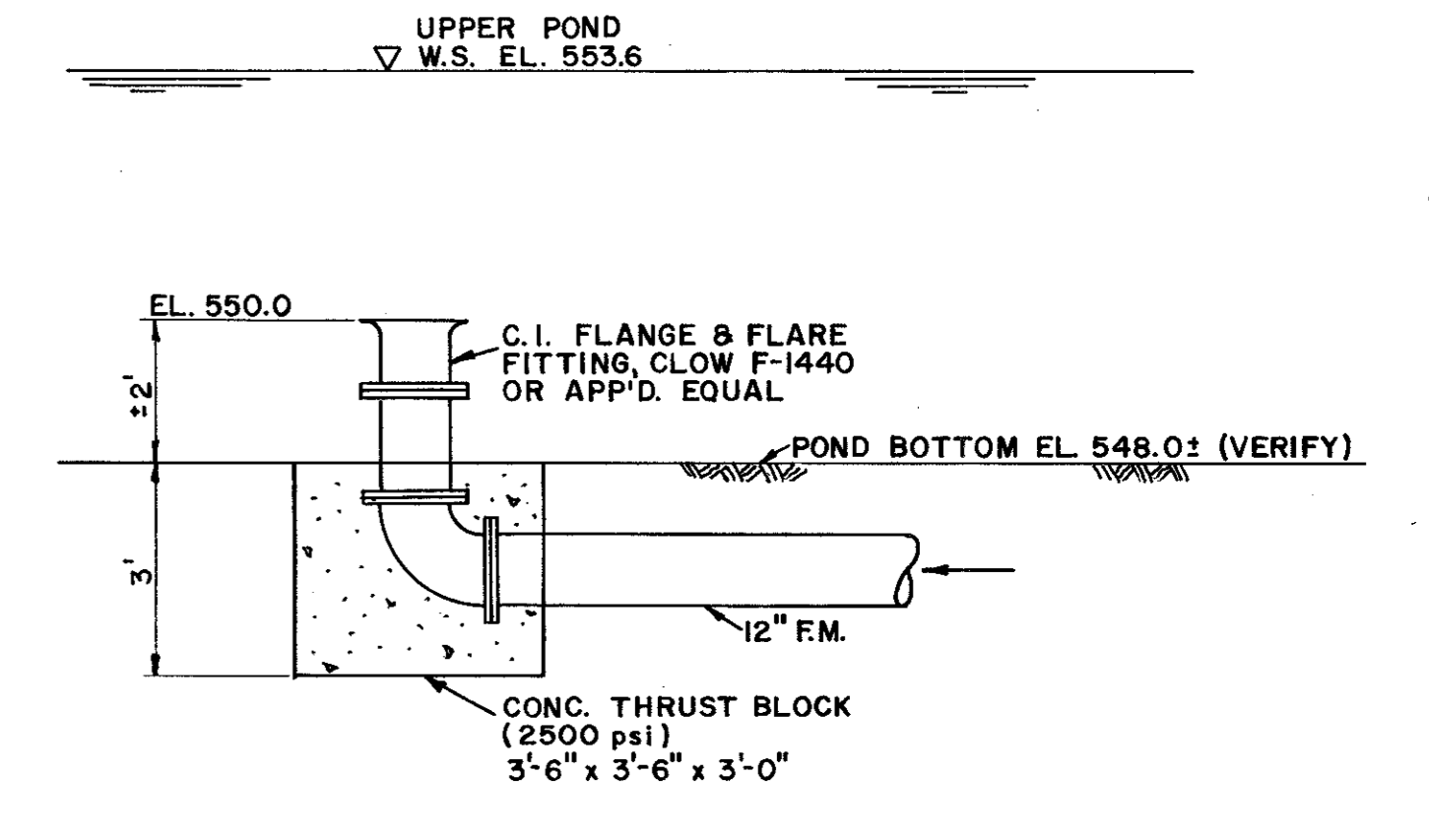


TYP. EMBEDMENT/BACKFILL DETAILS (FOR SUBMERGED PIPE)

SCALE: 3/4"=1'-0"

12" DIA. DISCHARGE PIPE DETAILS

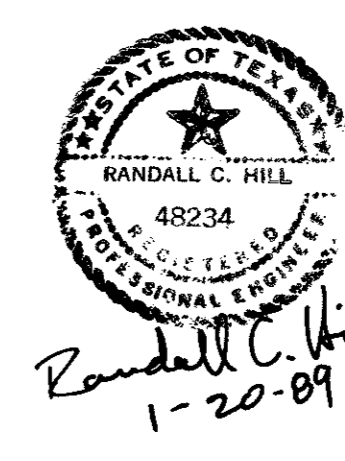
WP-8



DISCHARGE STRUCTURE

WP-8

SCALE: 3/8"=1'-0"



No.	Revision	By	Date
TOWN OF ADDISON DALLAS COUNTY, TEXAS CREEK SYSTEM IMPROVEMENTS WINNWOOD PARK MISCELLANEOUS DETAILS GINN, INC. Consulting Engineers Dallas, Texas			
Designed - AGF	Drawn - DEM	Date - DEC. 1988	Job No. - 369
Approved - HWG	Checked - RCH	Scale - AS SHOWN	Sheet 8 of 23