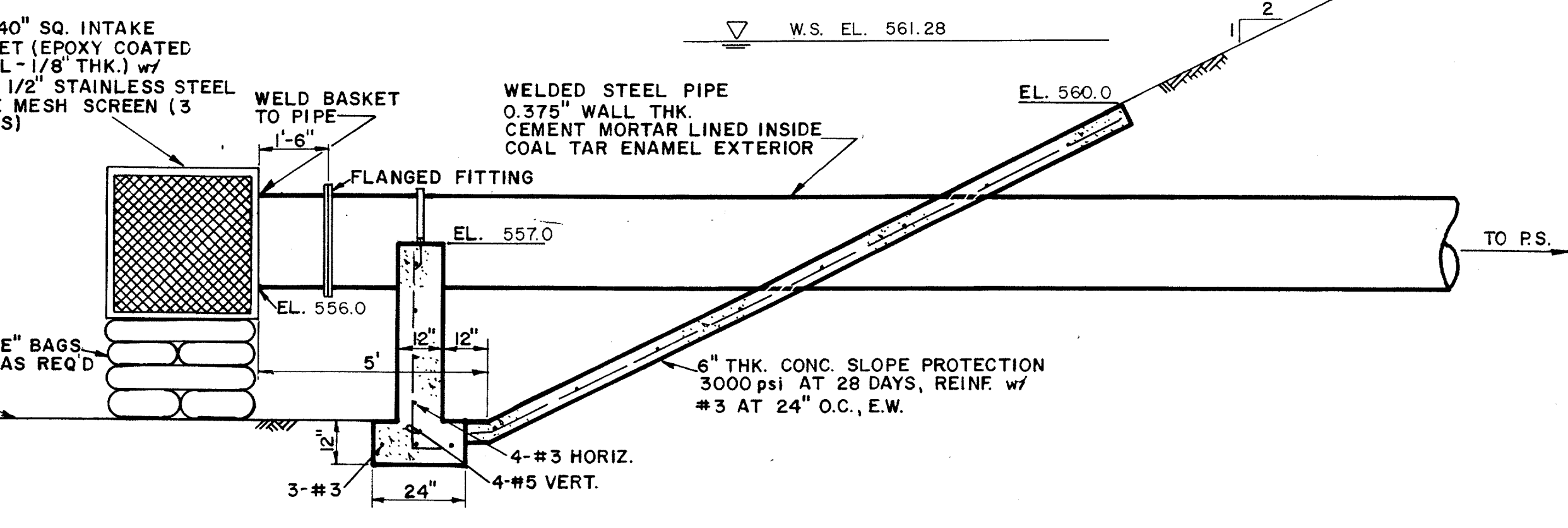
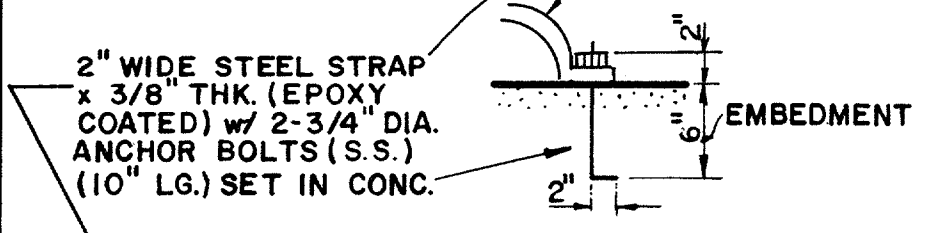
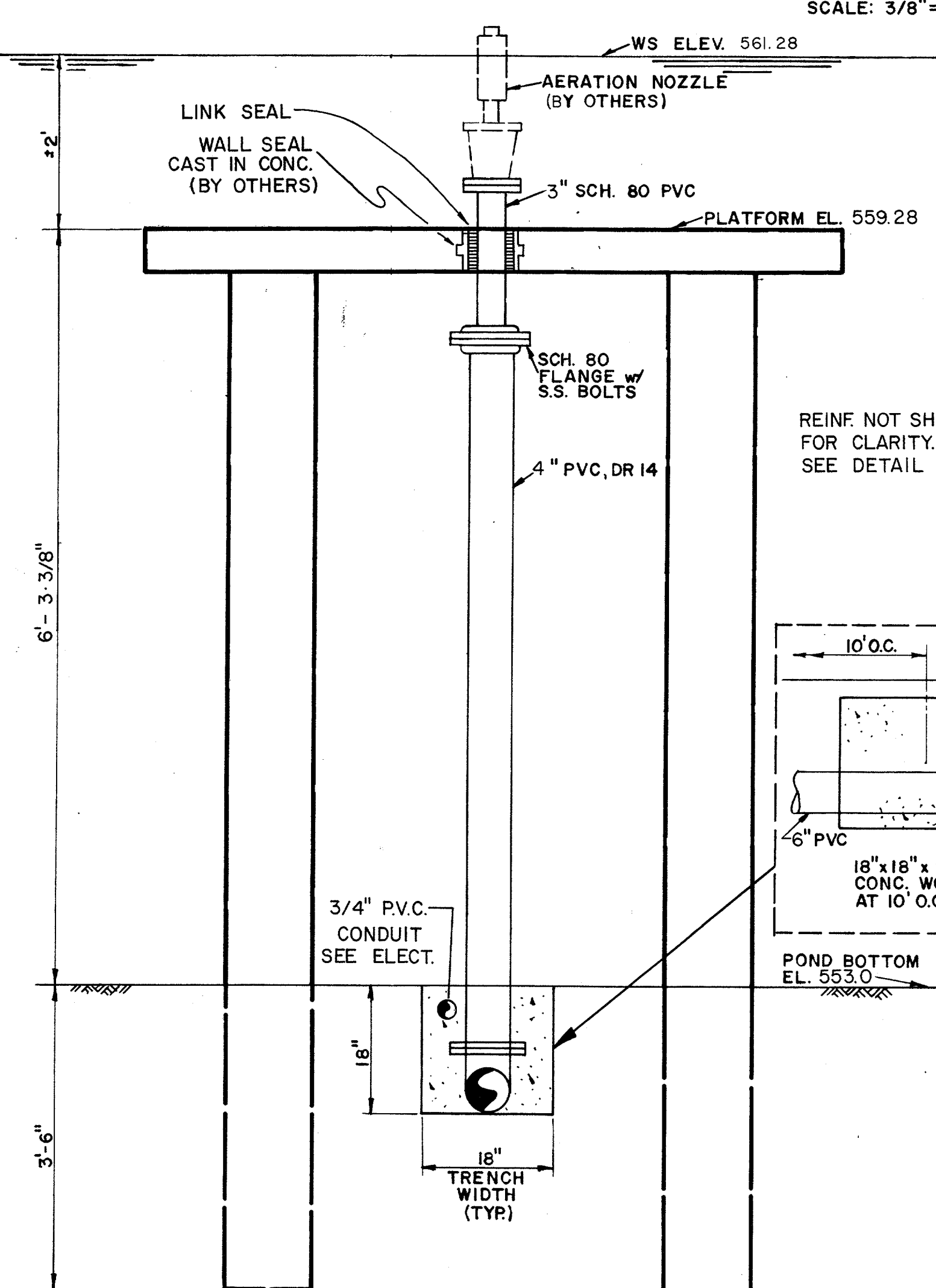


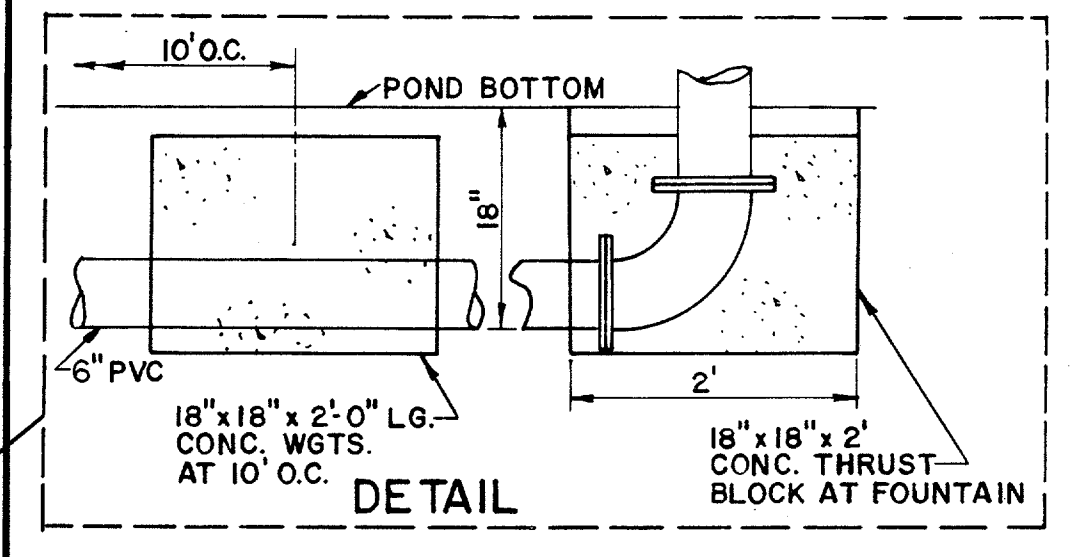
PLAN



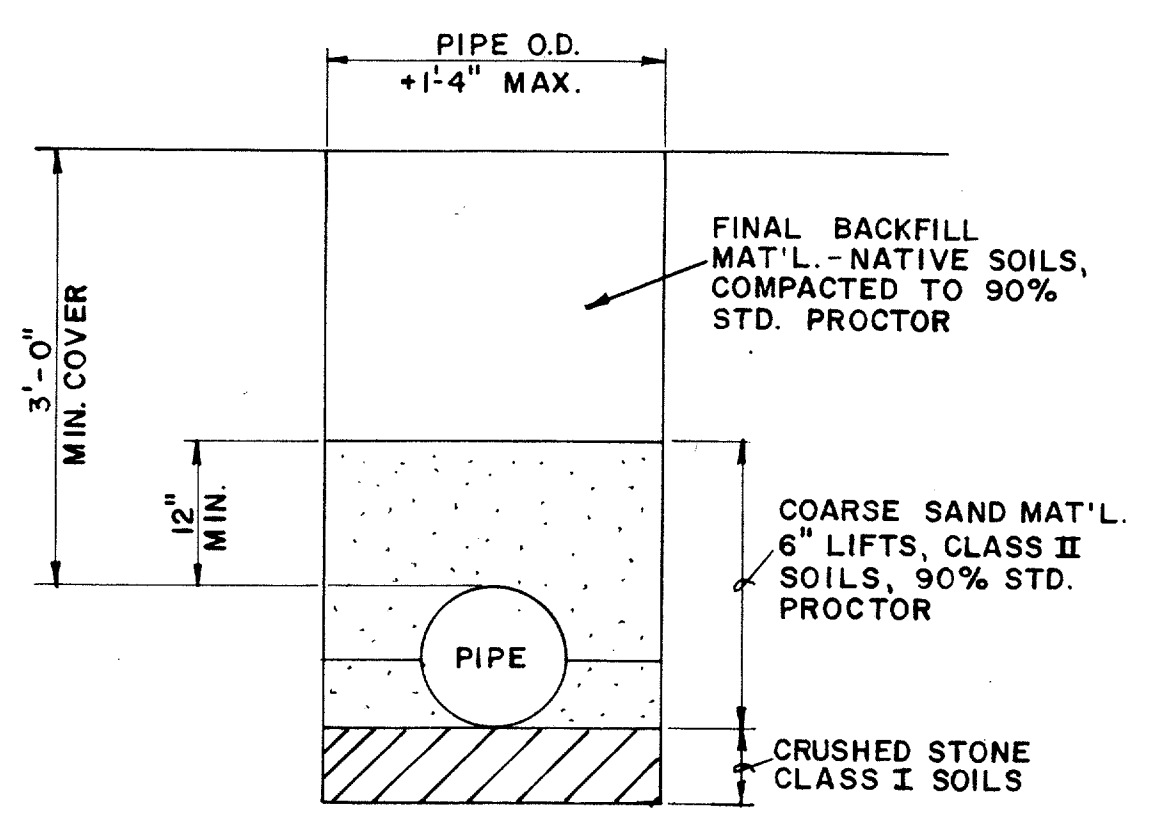
ELEVATION  
INTAKE STRUCTURE DETAILS  
SCALE: 3/8"=1'-0"



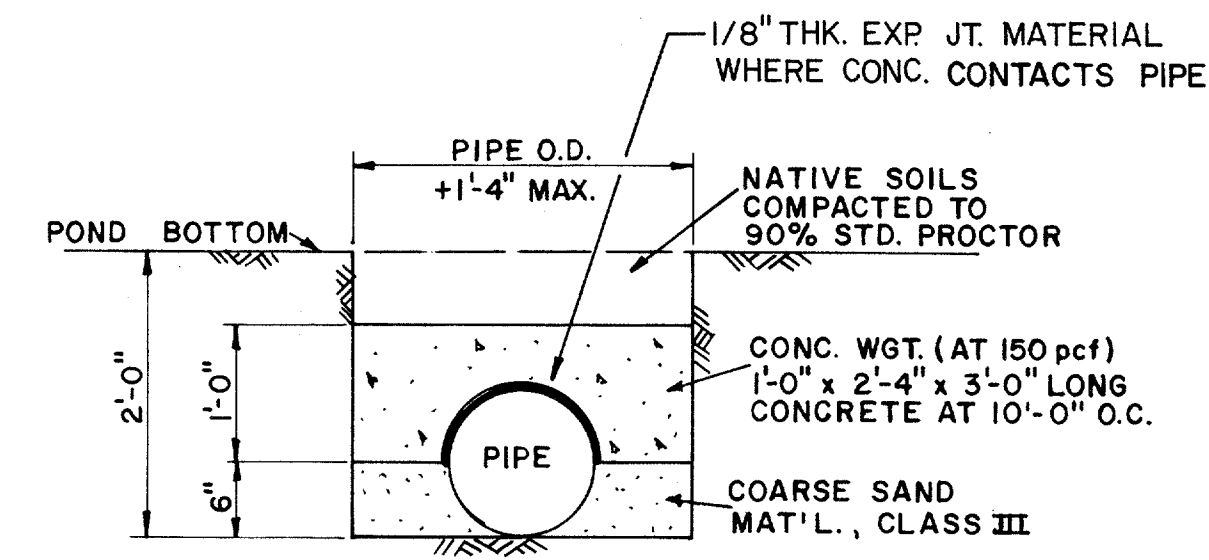
FOUNTAIN DETAIL  
N.T.S.



DETAIL

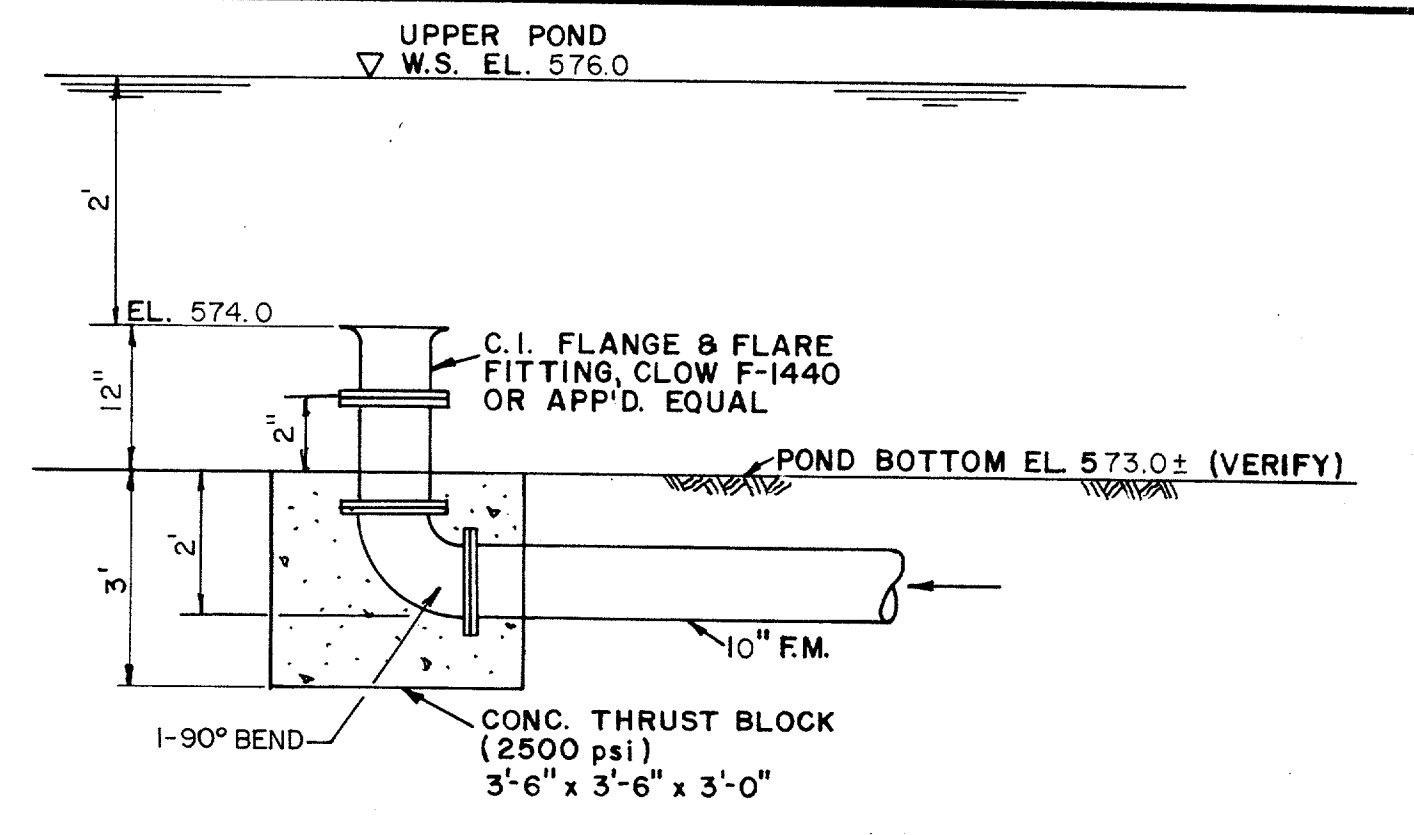


TYP EMBEDMENT/BACKFILL DETAILS  
(FOR PIPE NOT SUBMERGED)  
SCALE: 3/4"=1'-0"

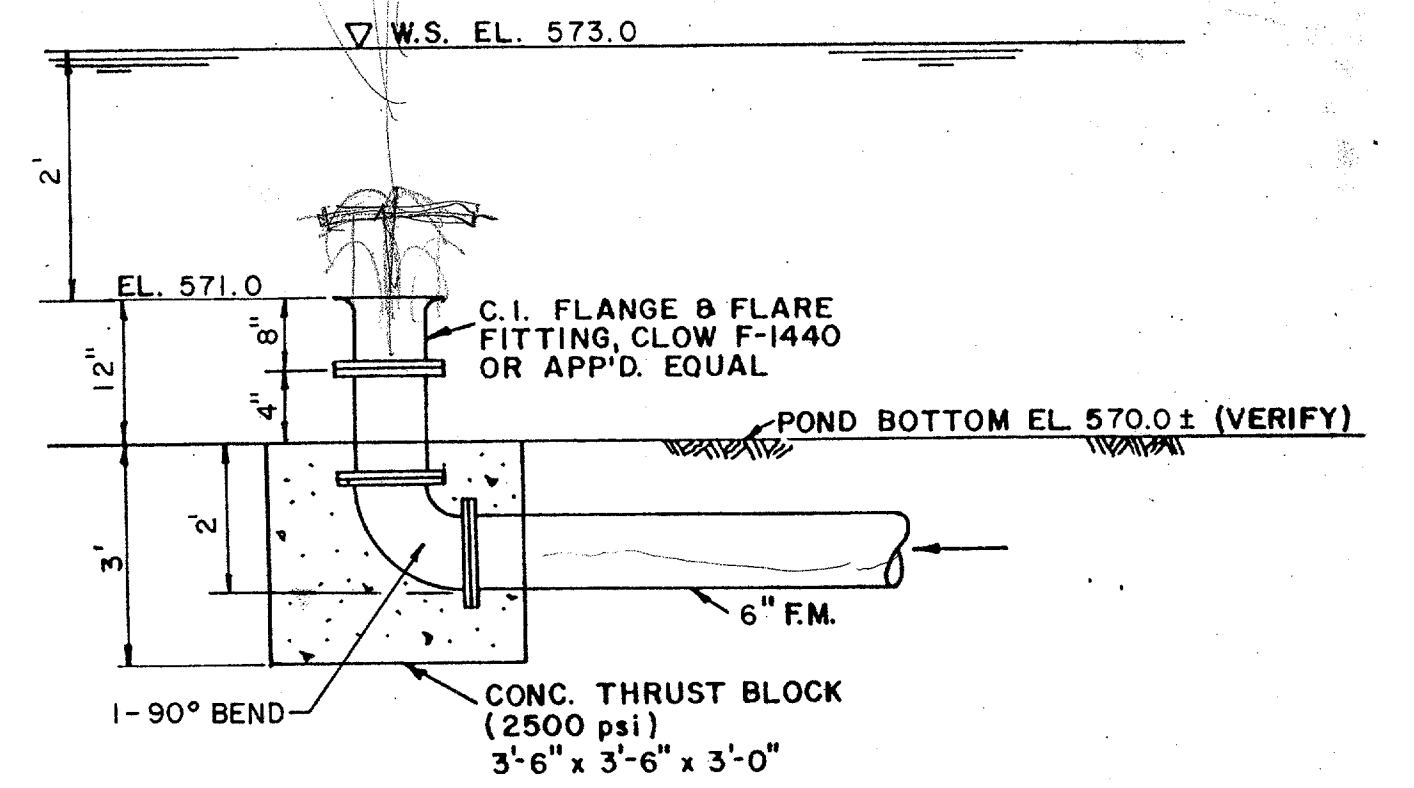


TYP EMBEDMENT/BACKFILL DETAILS  
(FOR SUBMERGED PIPE)  
SCALE: 3/4"=1'-0"

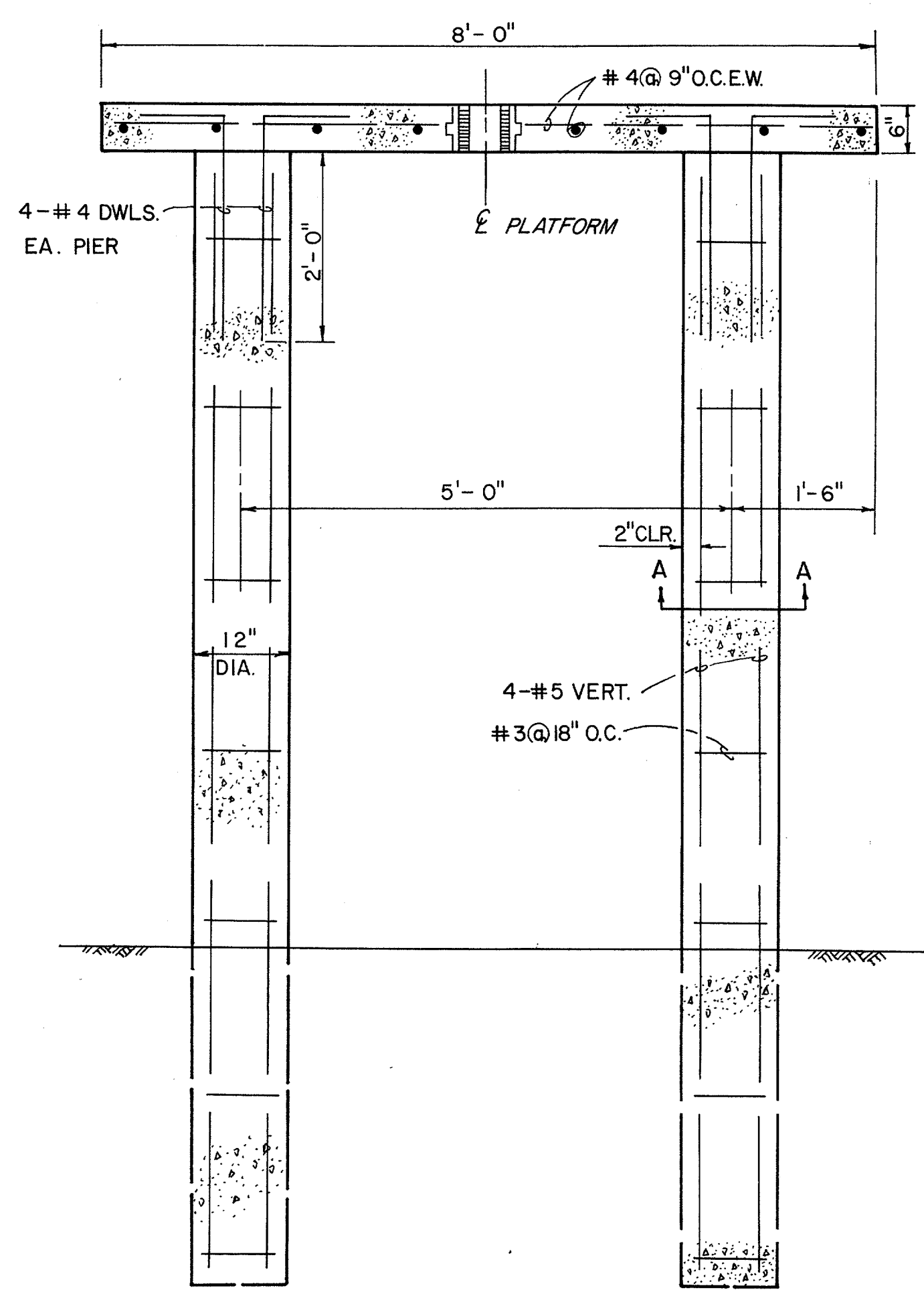
DISCHARGE PIPE DETAILS



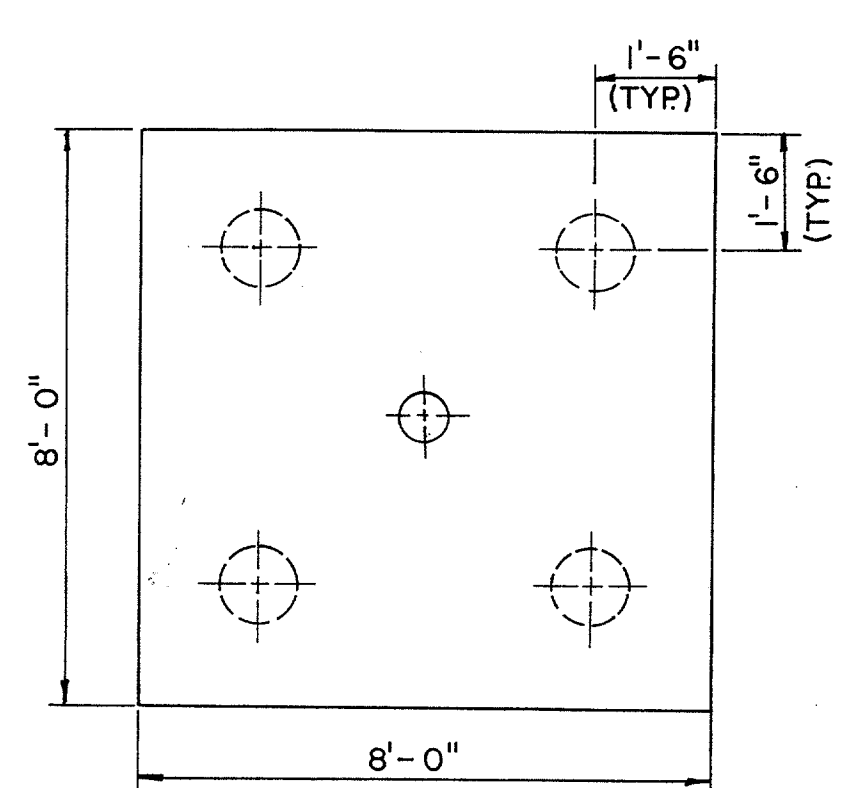
NORTH DISCHARGE STRUCTURE  
N.T.S.



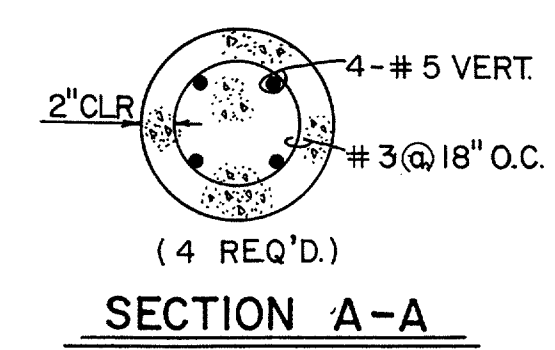
SOUTH DISCHARGE STRUCTURE  
SCALE: N.T.S.



REINFORCEMENT DETAIL  
N.T.S.



PLATFORM PLAN



SECTION A-A

No.	Revision	By	Date
TOWN OF ADDISON DALLAS COUNTY, TEXAS <b>CREEK SYSTEM IMPROVEMENTS</b>			
<b>FINANCE CENTER/TOWN HALL MISCELLANEOUS DETAILS</b>			
GINN, INC. Consulting Engineers Dallas, Texas			
Designed - AGF	Drawn - DEM	Date - DEC., 1988	Job No. - 369
Approved - HWG	Checked - RCH	Scale - AS NOTED	Sheet 17 Of 21