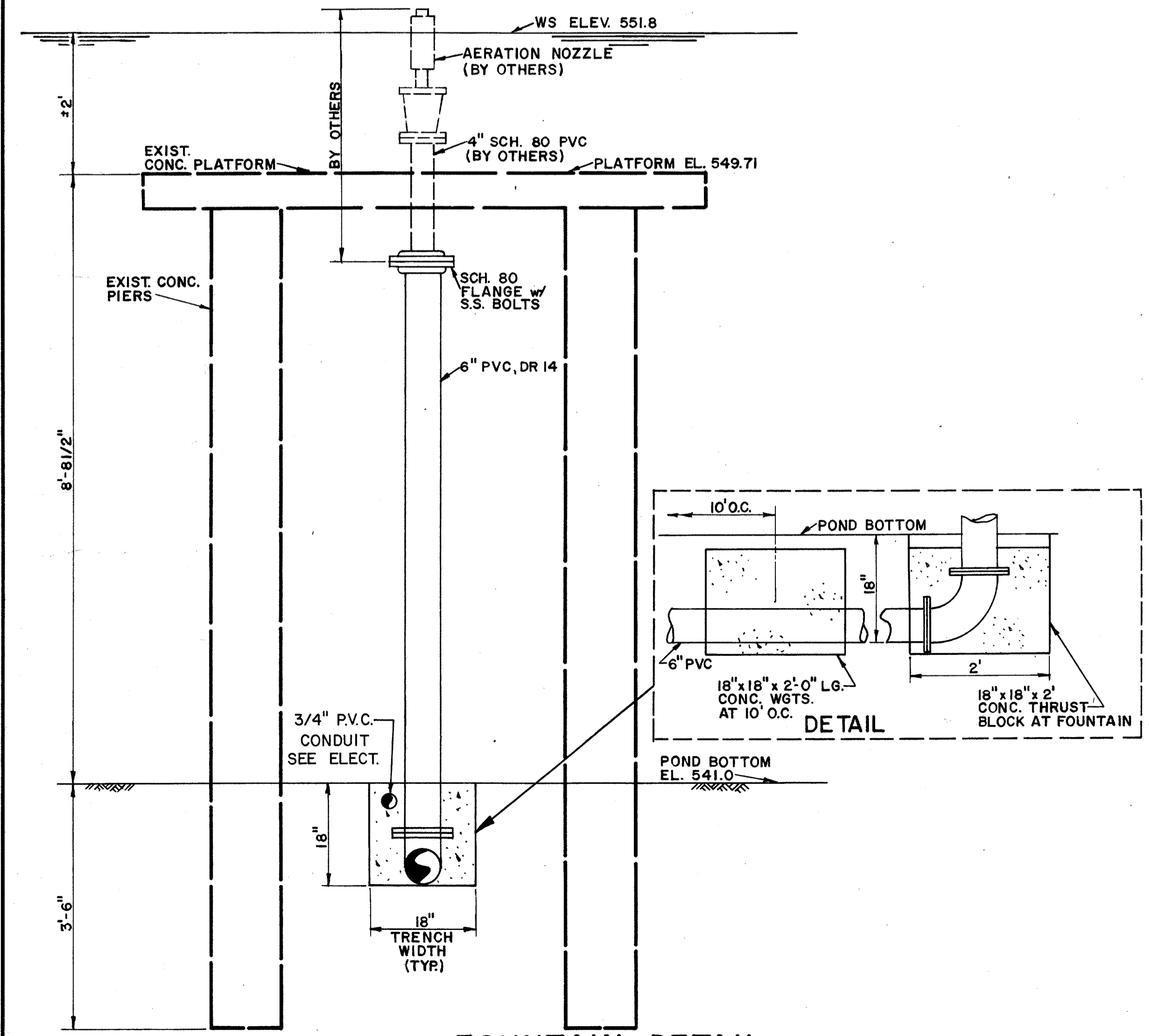


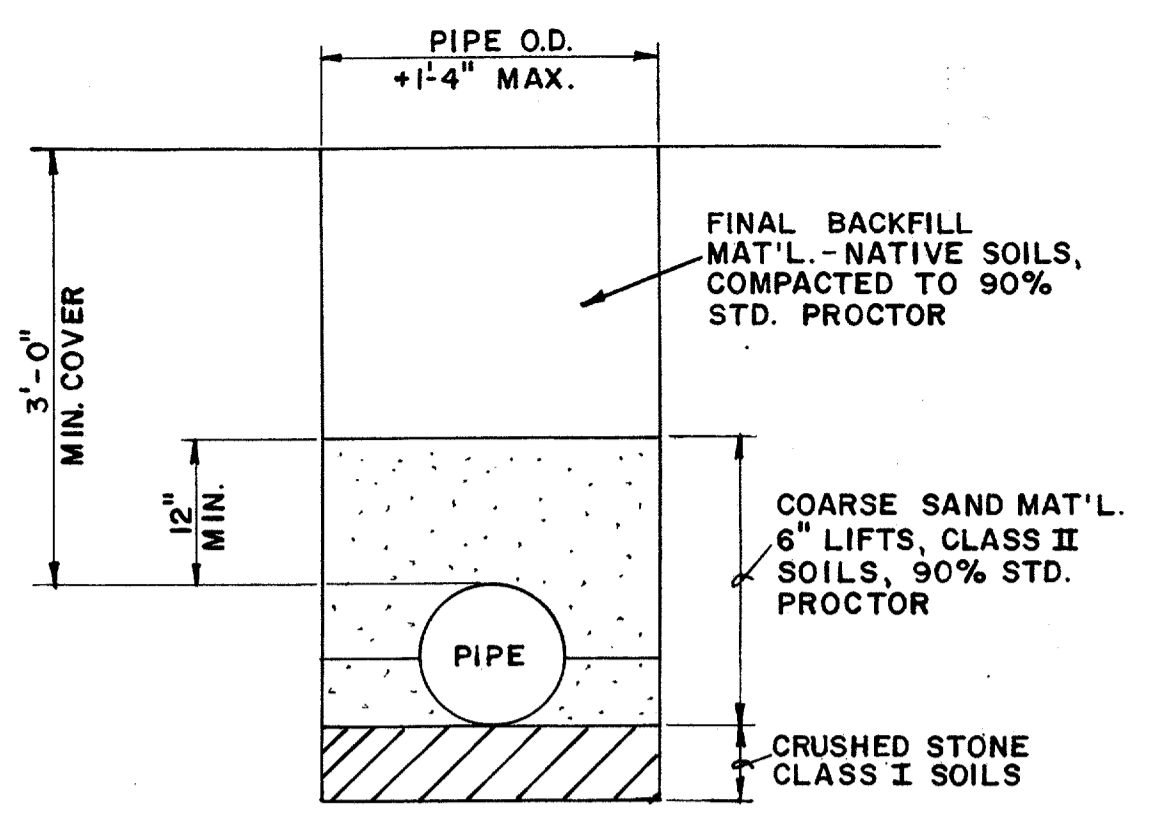
**INTAKE STRUCTURE DETAILS**

SCALE: 3/8"=1'-0"



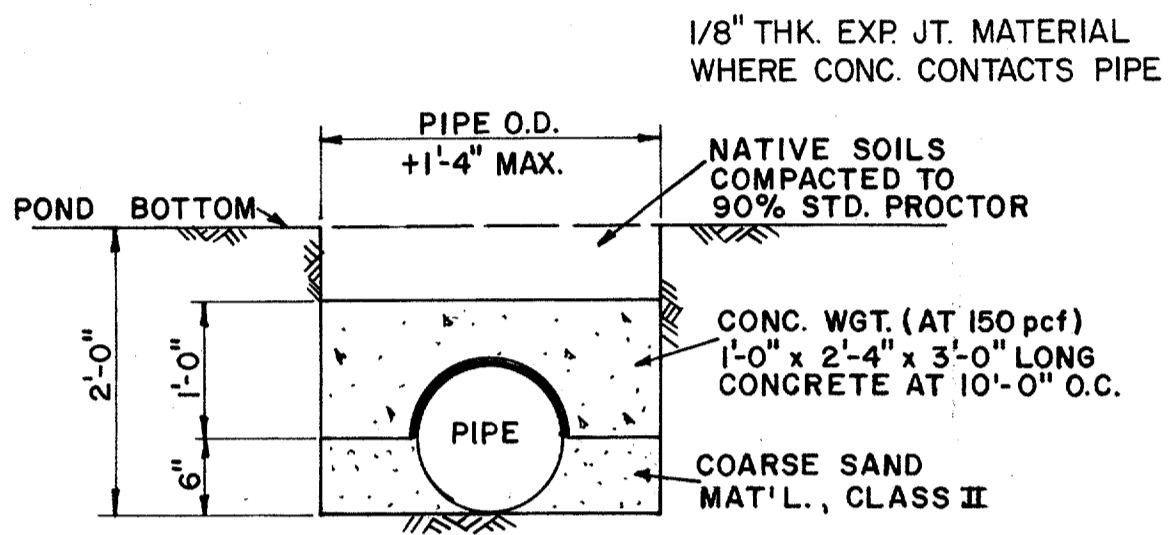
**FOUNTAIN DETAIL**

SCALE: 3/4"=1'-0"



**TYP. EMBEDMENT/BACKFILL DETAILS (FOR PIPE NOT SUBMERGED)**

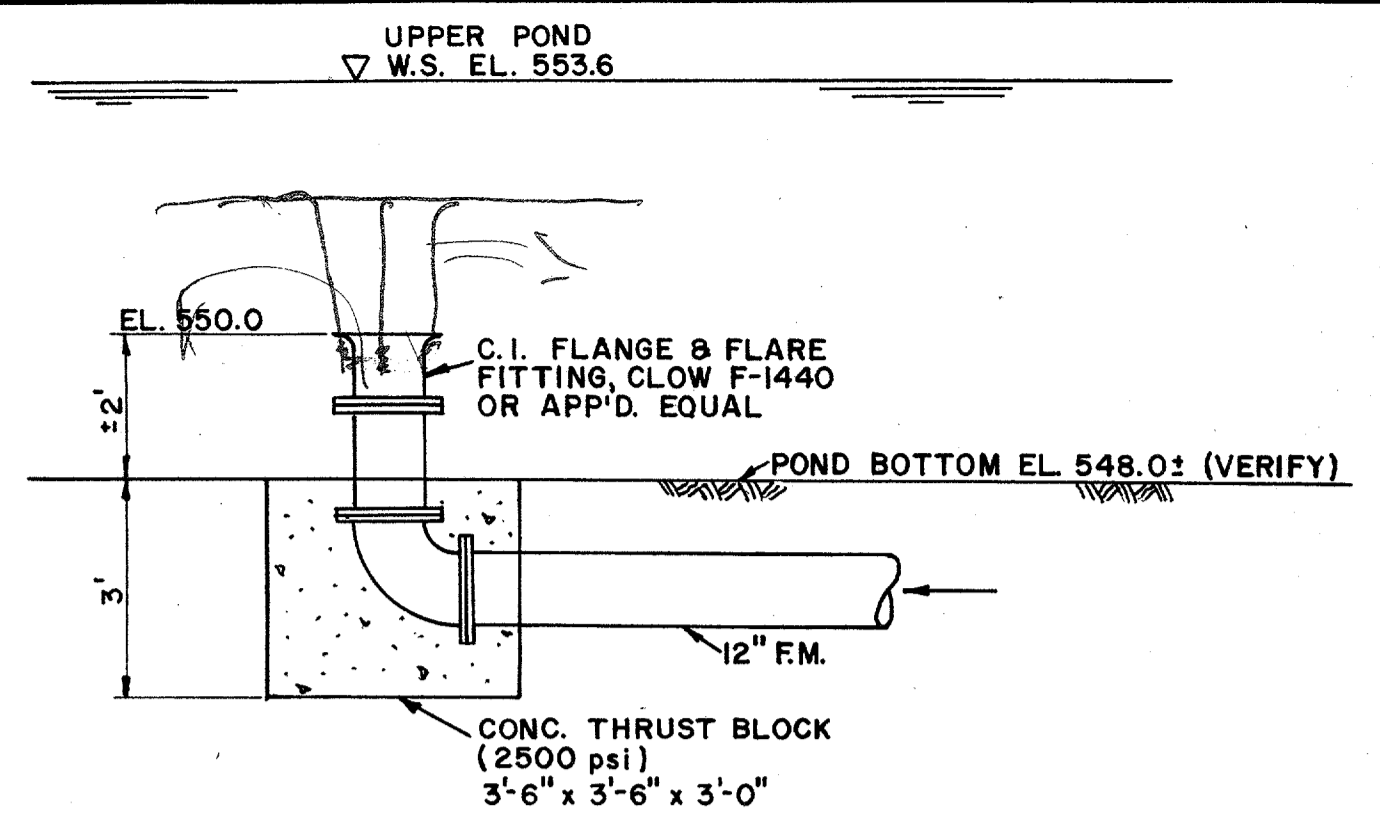
SCALE: 3/4"=1'-0"



**TYP. EMBEDMENT/BACKFILL DETAILS (FOR SUBMERGED PIPE)**

SCALE: 3/4"=1'-0"

**12" DIA. DISCHARGE PIPE DETAILS**



**DISCHARGE STRUCTURE**

SCALE: 3/8"=1'-0"

No.	Revision	By	Date
TOWN OF ADDISON DALLAS COUNTY, TEXAS <b>CREEK SYSTEM IMPROVEMENTS</b> <b>WINNWOOD PARK</b> <b>MISCELLANEOUS DETAILS</b> <b>GINN, INC.</b> Consulting Engineers Dallas, Texas			
Designed - AGF	Drawn - DEM	Date - DEC. 19 88	Job No. - 369
Approved - HWG	Checked - RCH	Scale - AS SHOWN	Sheet 8 of 21