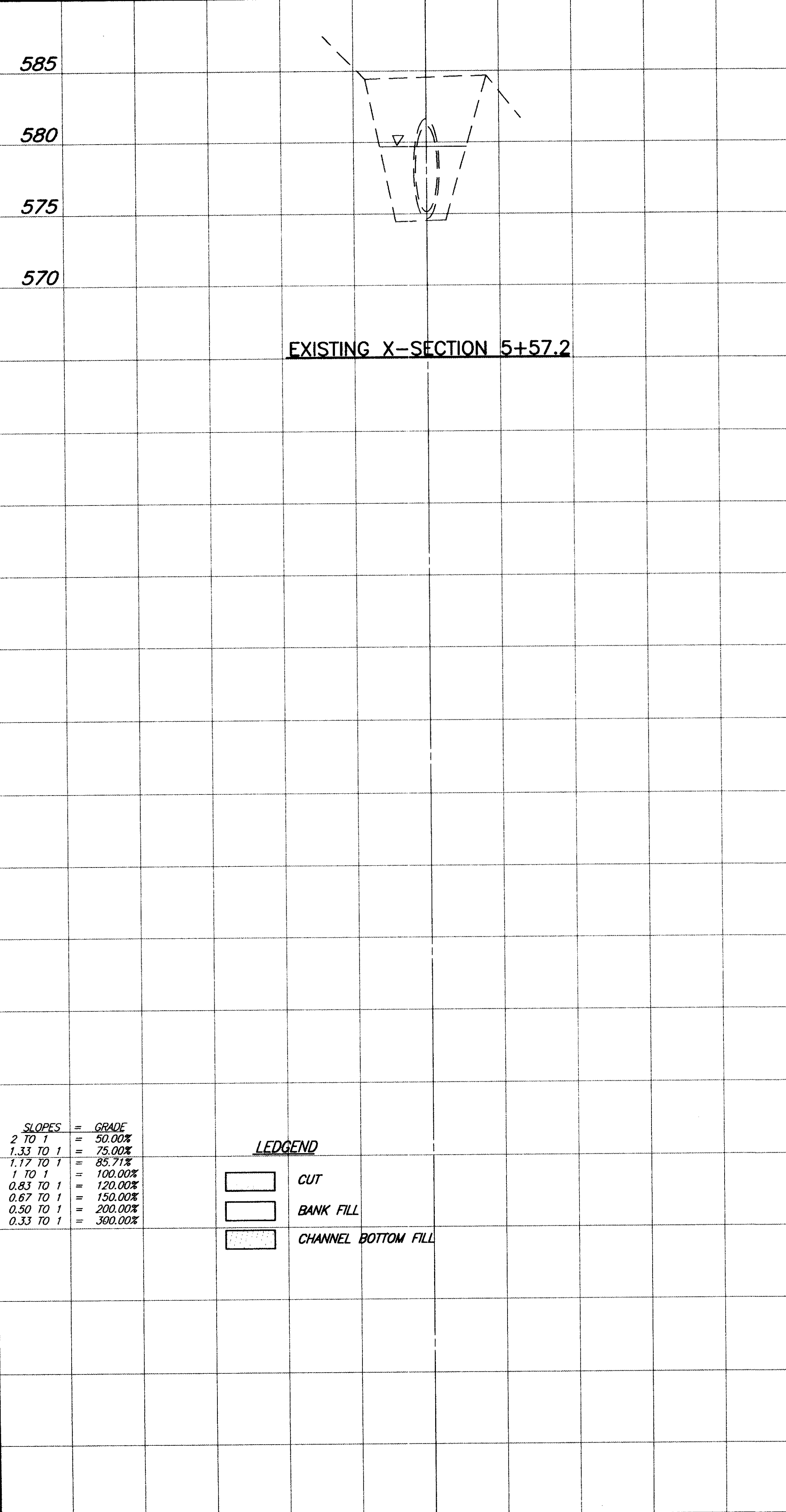
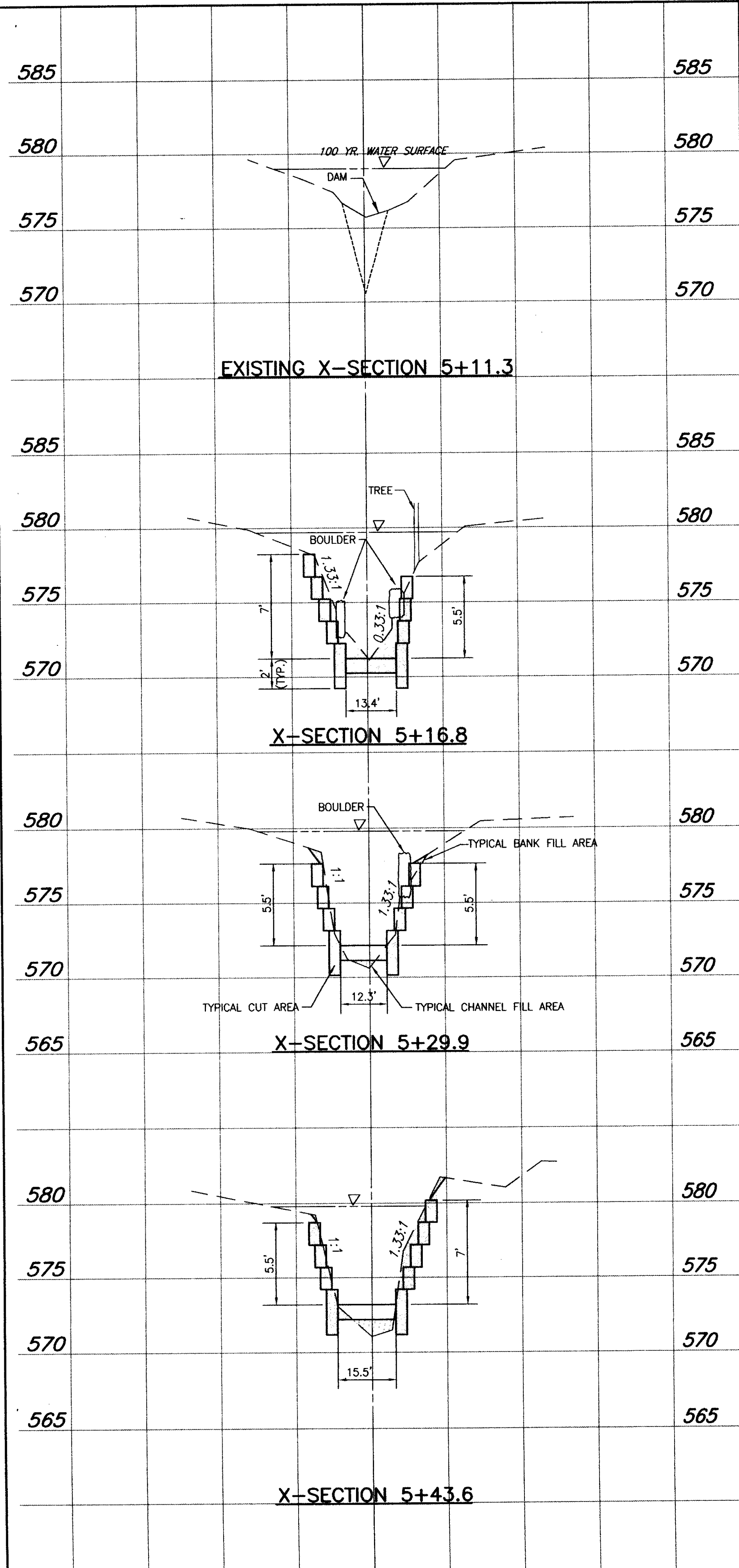


BLK- XS-511, XS-517, XS-530, XS-544, XS-557
 H:\PROJECTS\ADDISON\97151\97151VSC.DWG
 REVISED: 10/21/97 RLL



585

580

575

570

585

580

575

570

585

580

575

570

585

580

575

570

585

580

575

570

585

580

575

570

585

580

575

570

EXISTING X-SECTION 5+57.2

X-SECTION 5+16.8

X-SECTION 5+29.9

X-SECTION 5+43.6

LEGEND

CUT
 BANK FILL
 CHANNEL BOTTOM FILL

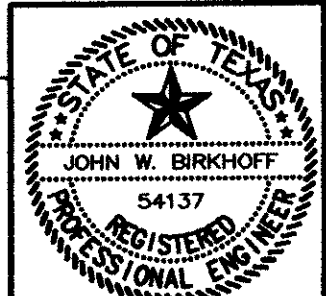
TOWN OF ADDISON, TEXAS

TOWNHALL STREAM BANK EROSION PROTECTION
 GABIION CROSS SECTIONS
 PART 'B'

SHIMEK, JACOBS & FINKLEA, L.L.P.
 CONSULTING ENGINEERS
 Dallas, Texas

DESIGNED BY: J.W.B. PROJECT: 97151
 DRAWN BY: R.J.L. DATE: OCTOBER, 1997

THESE DOCUMENTS ARE FOR BIDDING, CONSTRUCTION, AND PERMIT PURPOSES.
John W. Burkoff
 DATE: 10/21/97



SHEET NO. 7 OF 9 SHEETS