

BELT LINE ROAD
(100-FOOT WIDE RIGHT-OF-WAY)

N 88°00'50" E 240.17'

EXISTING IRRIGATION TO REMAIN
REPLACE BROKEN OR MALFUNCTIONING PARTS

EXISTING 2" METER/ 2" DCA
(FIELD LOCATE- RE TEST AND CERTIFY)

CONTRACTOR TO REPLACE ANY DAMAGED
PIPE, HEADS AND ASSEMBLIES AND REPAIR
TO WORKING CONDITION

N 87°56'32" E
20.00'

NEW CONTROLLER LOCATION
(LICENSED ELECTRICIAN
TO PROVIDE POWER)

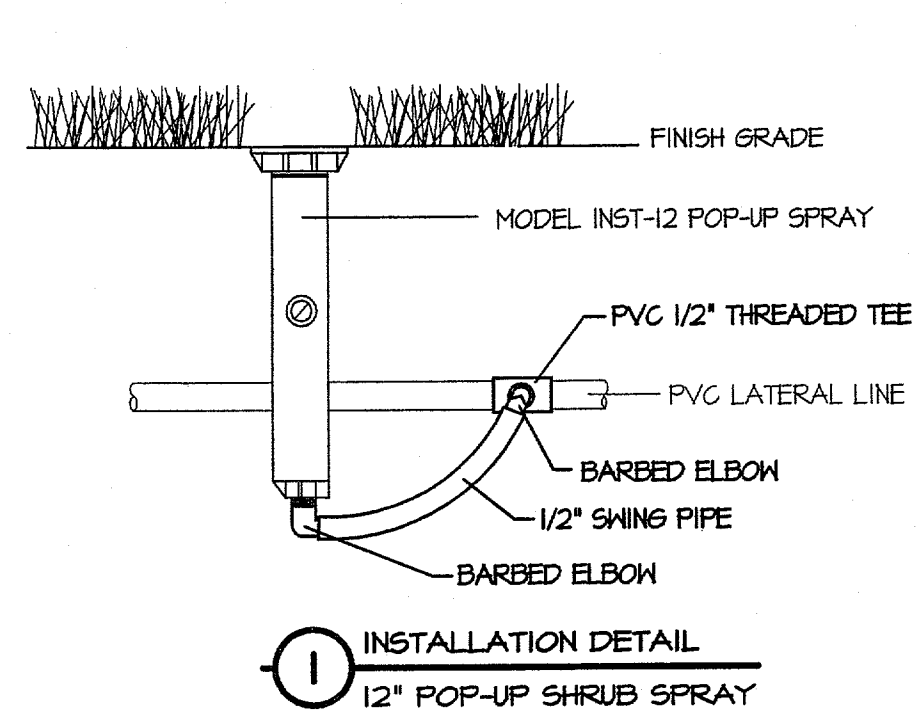
INSTALL WIRELESS RAIN/FREEZE SENSOR
ON ROOF TOP - CLEAR FROM OBSTRUCTIONS

OAK NORTH DRIVE
(A VARIABLE WIDTH RIGHT-OF-WAY)

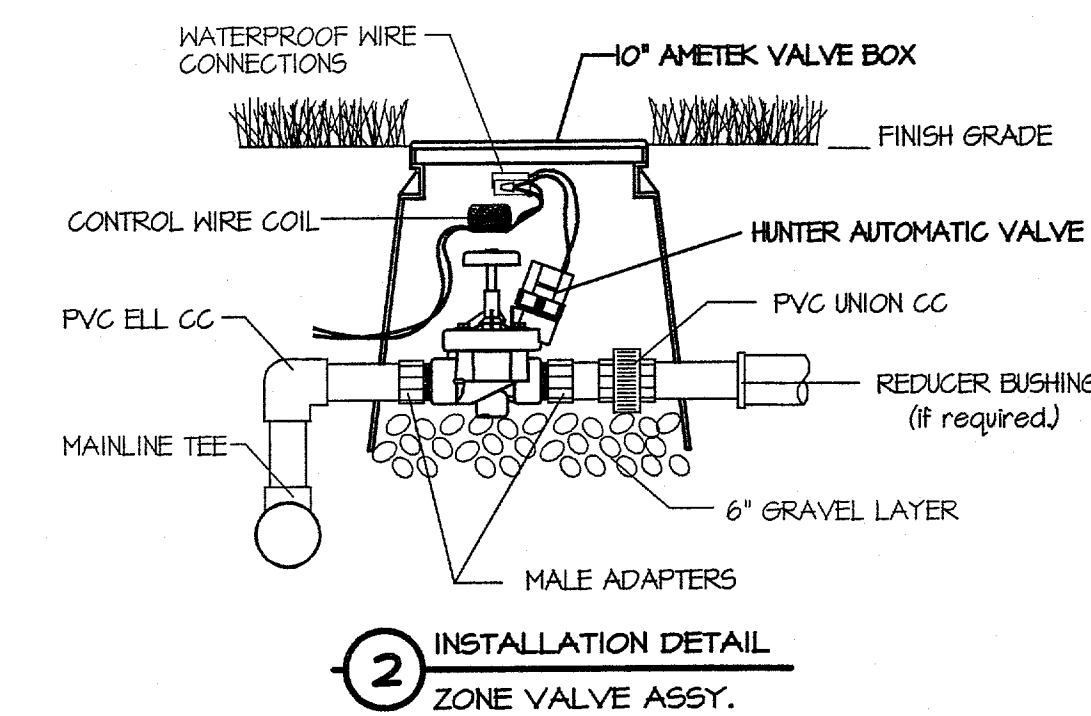
S 02°03'28" E 219.32'

1 IRRIGATION PLAN
SCALE: 1"=20.0'

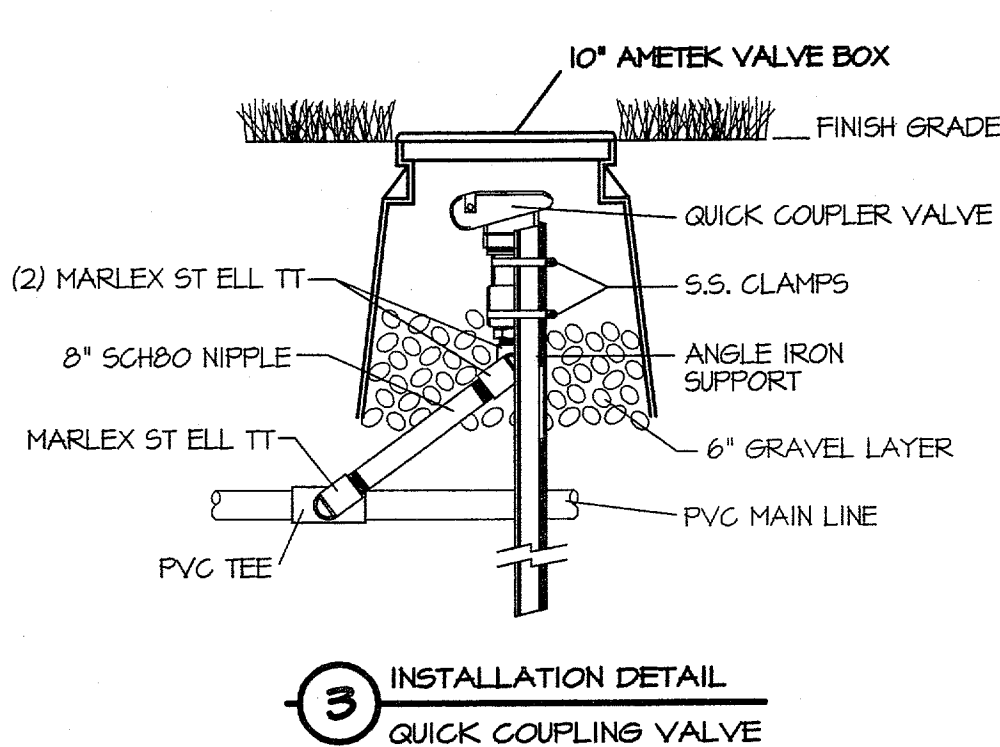
S 88°00'50" W 356.82'



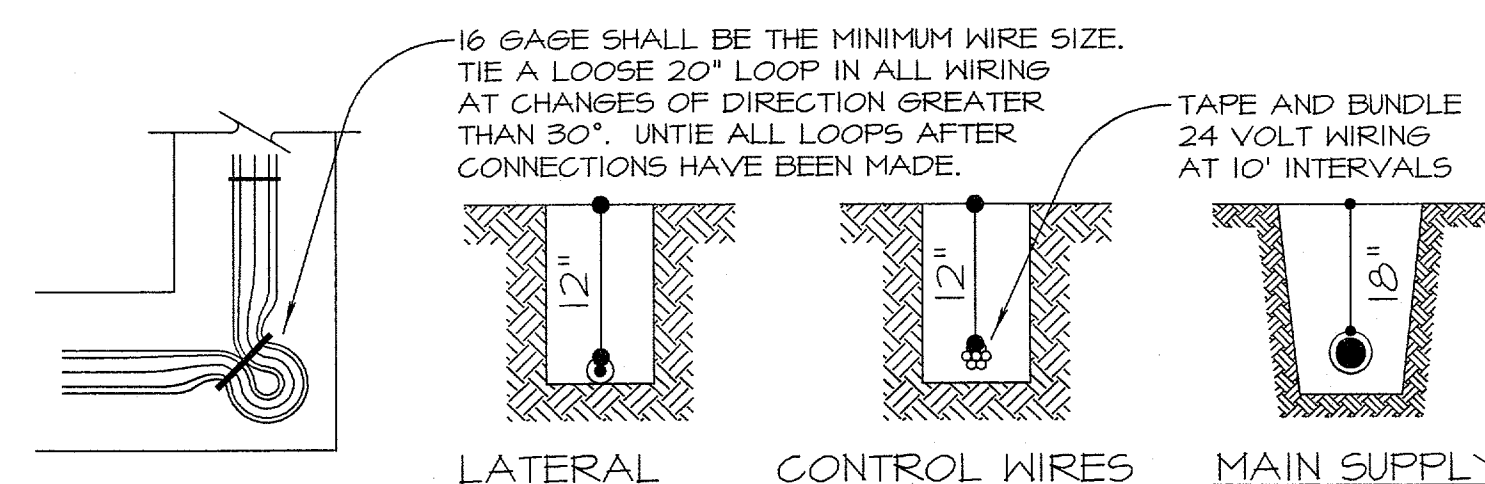
1 INSTALLATION DETAIL
12" POP-UP SHRUB SPRAY



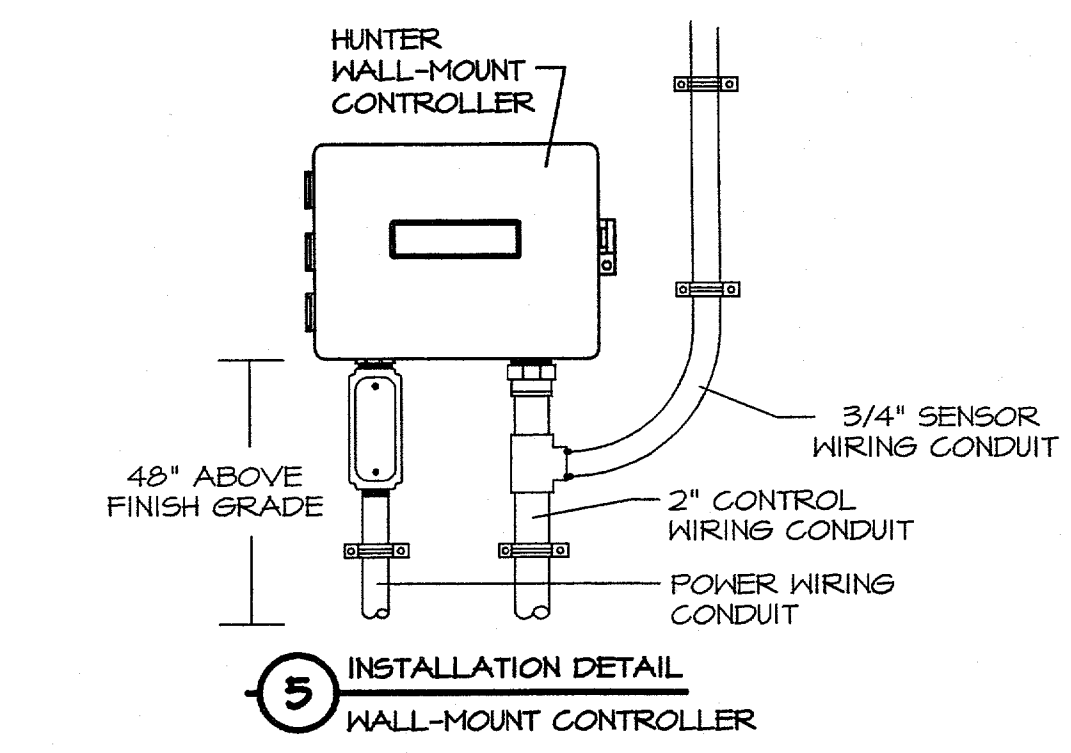
2 INSTALLATION DETAIL
ZONE VALVE ASSY.



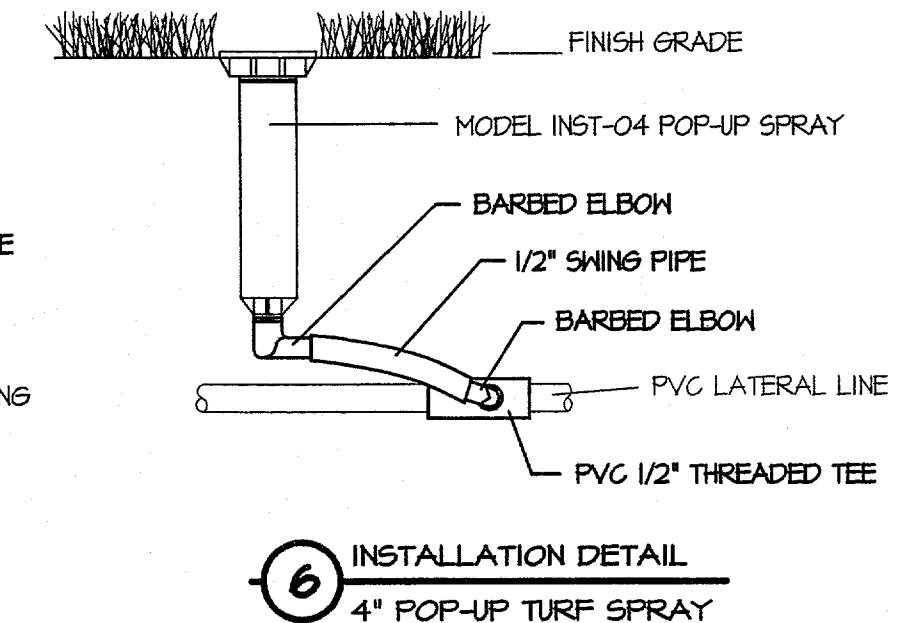
3 INSTALLATION DETAIL
QUICK COUPLING VALVE



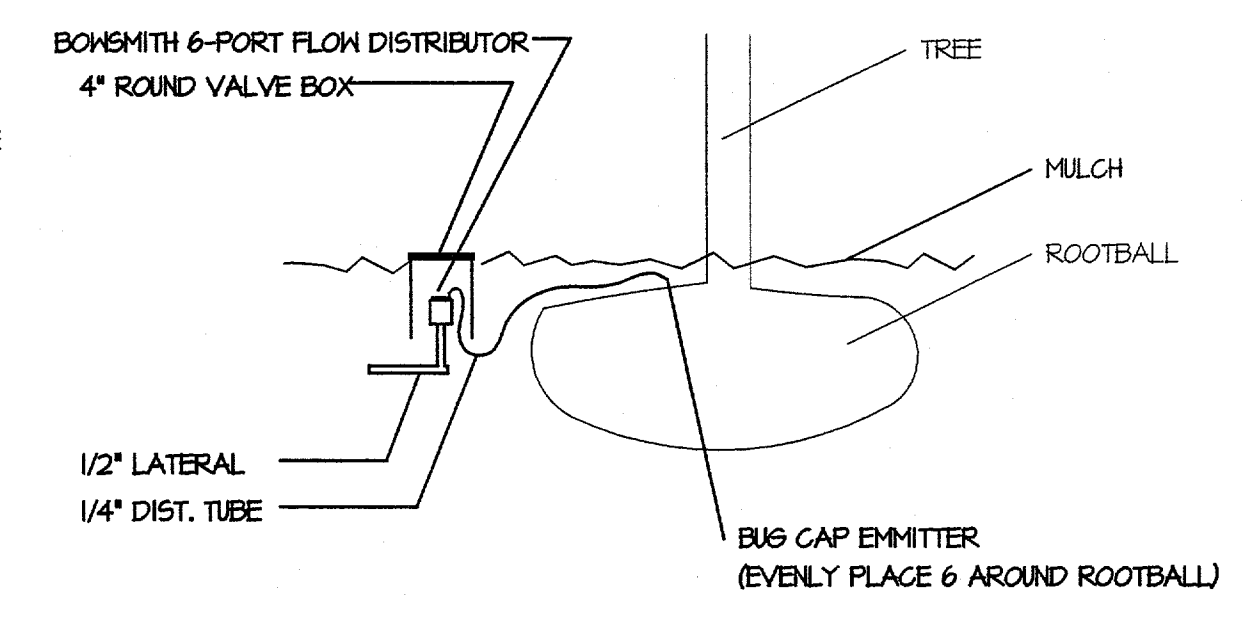
4 INSTALLATION DETAIL
MAINLINE, LATERAL AND WIRING



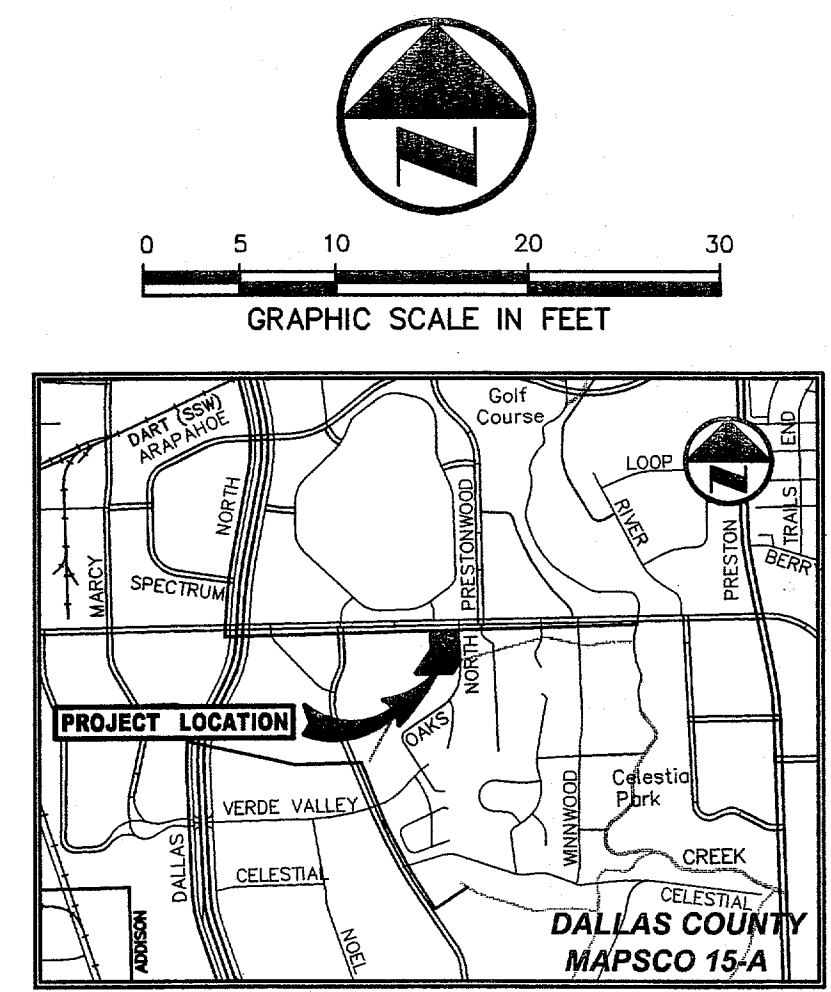
5 INSTALLATION DETAIL
WALL-MOUNT CONTROLLER



6 INSTALLATION DETAIL
4" POP-UP TURF SPRAY



7 INSTALLATION DETAIL
DRIP EMITTERS-TREES



VICINITY MAP
(NOT TO SCALE)

IRRIGATION NOTES

CALL TEXAS ONE-CALL AT 1-800-344-9377 FOR INFORMATION ON THE LOCATION OF ALL UNDERGROUND UTILITIES.

CONTACT PRIOR TO DIGGING. CONTRACTOR SHALL BE RESPONSIBLE FOR ANY DAMAGE CAUSED TO THE UTILITIES (BOTH OVERHEAD AND BURIED) WHICH MAY OCCUR DUE TO HIS ACTION OR LACK OF ACTION ON THE PROJECT SITE DURING LANDSCAPE OR IRRIGATION INSTALLATION. CONTRACTOR SHALL SEEK THE ASSISTANCE OF LOCAL UTILITIES AND THE OWNER IN LOCATING THE UTILITIES PRIOR TO PERFORMING TRENCHING OPERATIONS IN ANY AREA.

TRENCHING OPERATIONS SHALL NOT OCCUR UNDER THE DRIPLINE OF EXISTING TREES UNLESS ABSOLUTELY NECESSARY. IF CONDITIONS DO NOT ALLOW FOR TRENCHING TO BE DIRECTED AROUND DRIPLINE, THE TRENCHING SHALL BE DONE RADIAL WITH THE EXISTING TREE TRUNK.

CONTRACTOR SHALL CAREFULLY VERIFY A MINIMUM RESIDUAL WATER PRESSURE OF 60PSI @24GPM ADJACENT TO THE WATER METER LOCATION. IF THE MINIMUM WATER PRESSURE IS LESS THAN 60 PSI, CONTRACTOR SHALL NOTIFY THE OWNER OF SUCH AND SHALL RECEIVE OWNER'S APPROVAL PRIOR TO BEGINNING INSTALLATION OPERATIONS.

GENERAL CONTRACTOR IS RESPONSIBLE FOR INSTALLATION OF SLEEVES AS SHOWN ON THE DRAWING. EXTEND SLEEVES 2' BEYOND BACK OF CURB AND CAP UNTIL CONTRACTOR IS READY TO BEGIN INSTALLATION OF SYSTEM. STAKE LOCATION OF SLEEVE WITH T-POSTS AND FLAGS.

GENERAL CONTRACTOR SHALL PROVIDE J-BOX (ISVAC POWER) TO THE CONTROLLER LOCATION AND A 2" CONDUIT FROM THE CONTROLLER FOR VALVE WIRES. IRRIGATION CONTRACTOR SHALL HARDWIRE TO J-BOX.

THE IRRIGATION DESIGN IS DIAGRAMMATIC. THE INTENT OF THE DRAWINGS IS TO SHOW THE GENERAL LAYOUT AND LOGIC OF THE SYSTEM. SCALED MEASUREMENTS MAY NOT BE ACCURATE. ACTUAL LOCATIONS AND QUANTITIES OF PIPE AND FITTINGS MAY VARY DUE TO FIELD ADJUSTMENTS FOR EXISTING

IRRIGATION EQUIPMENT LEGEND

SYMBOL	DESCRIPTION	MANUFACTURER
[C]	CONTROLLER	HUNTER ICG
[M]	WATER METER	HUNTER ICG
[M]	WATER METER	HUNTER ICG
[S]	SPRAY	HUNTER INST-02
[S]	SPRAY	HUNTER INST-04
[S]	SPRAY	HUNTER INST-12
[S]	SPRAY	HUNTER INST-04
[R]	REMOTE CONTROL VALVE	HUNTER IGV
[Q]	QUICK COUPLER	HUNTER HBS03C
[P]	MAINLINE PIPING	SCHEDULE 40 - ALL 2"
[S]	SLEEVE PIPING	SCHEDULE 40 PVC
[L]	LATERAL PIPING	CLASS 200 (SDR 21)
[1]	STATION NUMBER	
[1"]	VALVE SIZE	
[32]	GPM (APPROX)	



TEXAS IRRIGATION DESIGN, INC.
5846 MILTON STREET
SUITE 718
DALLAS, TX 75206
O: 214-680-9399
F: 214-722-0237

03/02/06

NO.	DATE	REVISION

Pacheco Koch Consulting Engineers
8350 N. CENTRAL EXPWY. SUITE 1000 DALLAS, TX 75206 972.235.3031

IRRIGATION PLAN & DETAILS
ADDISON TOWN HALL CENTER
TRACT 2
LAKE FOREST ADDITION
TOWN OF ADDISON, TEXAS

DESIGN	DRAWN	DATE	SCALE	NOTES	FILE	NO.
TID	SEH	JAN 2006	1"=20'			IR 1.01

ADDISON TOWN HALL CENTER