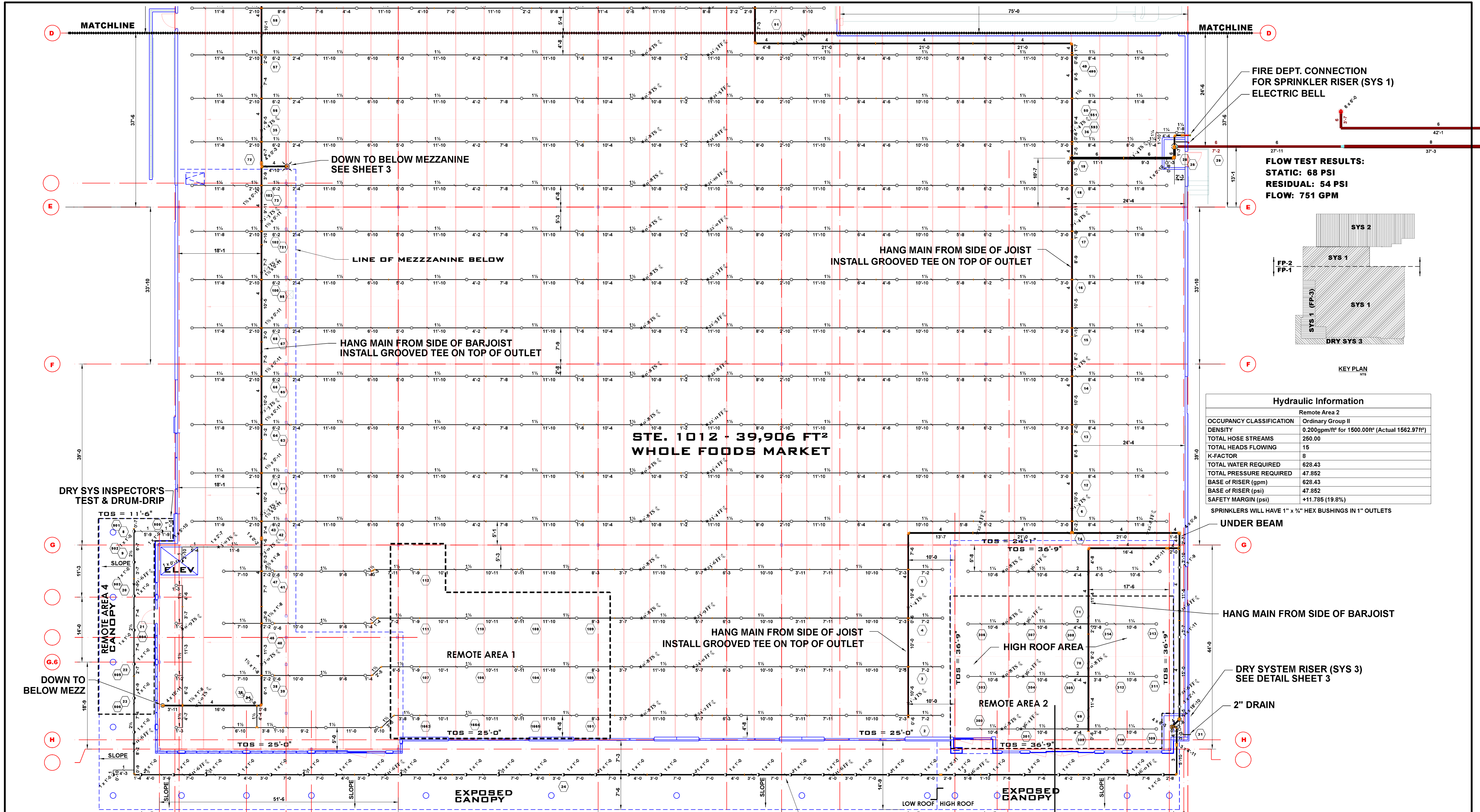


FLOW TEST RESULTS:

STATIC: 68 PSI
RESIDUAL: 54 PSI
FLOW: 751 GPM

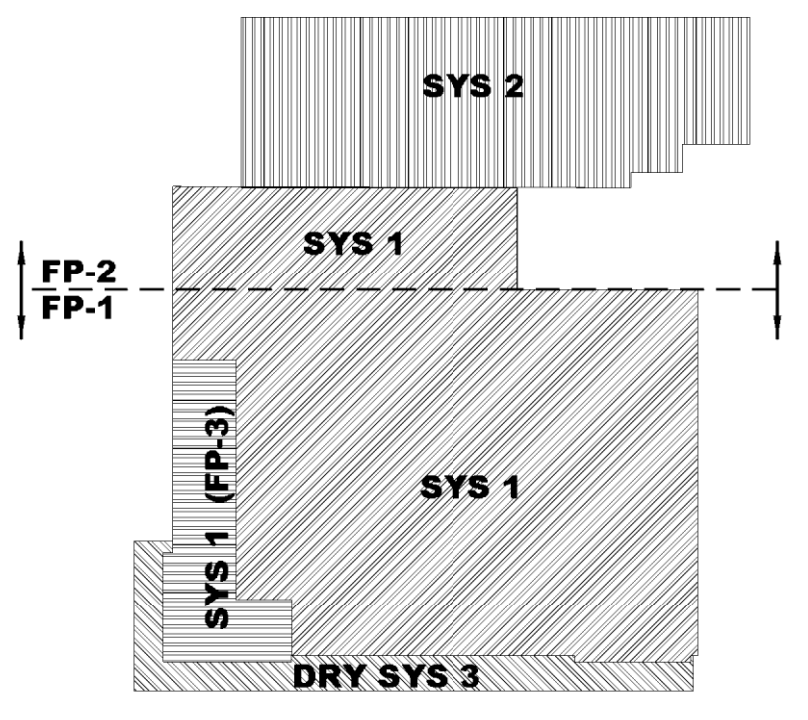
****THIS DRAWING FOR REFERENCE ONLY**

	REVISIONS 8-30-2013 AS BUILTS	REVIEWING AGENCY ADDISON FIRE MARSHAL OWNER-OCCUPANT VILLAGE ON THE PARKWAY DESIGNER BJJ	GENERAL NOTES CONTROL ELEVATION CONTROL DIMENSION BTOS BELOW TOP OF STEEL AFF ABOVE FINISHED FLOOR SPRINKLER PIPING DIMENSIONS SHOWN ARE CUT LENGTH	PIPING SHALL BE: FEED MAIN CROSS MAIN BRANCH LINE STARTER PIECES RISER NIPPLES ARMOVERS BRANCH LINE FITTINGS SHALL BE CLASS 125 DUCTILE IRON	DYN FLOW SCHED 10 SCHED 40	DESIGN CRITERIA OCCUPANCY: MERCANTILE HAZARD: ORD. GRP 2 CLASS: DENSITY: .20 GPM/FT² CALCULATED AREA: 1500 FT² AREA PER SPRINKLER: 130 FT² STORAGE HEIGHT: 12' NOTES:	SYSTEM WET DRY DELUGE PREACTION FOAM COMBO	SYM REL REL REL	EX. 8" D.I. WATER SPRINKLERS K TEMP QTY 0° 540 0° 1 0° 42 TOTAL HEADS THIS SHEET 583 TOTAL HEADS FOR PROJECT 583	AMERICAN AUTOMATIC SPRINKLER 600 DeCosta Street - Fort Worth, Texas 76111 Phone: 817 / 831-0366 Fax: 817 / 834-2420 VILLAGE ON THE PARKWAY 5100 Beltline Road - Building 1000 Addison, Texas 75254 CONTRACTOR:	SCALE: 1" = 20'-0" DATE: 11-23-2012 SYSTEM: SITE CONTRACT: 10-16595 SHEET REFERENCE DWG FILE:	FP-0
	<p style="text-align: center;">NO SPRINKLERS THIS SHEET</p>											



FIRE DEPT. CONNECTION FOR SPRINKLER RISER (SYS 1)
ELECTRIC BELL

FLOW TEST RESULTS:
STATIC: 68 PSI
RESIDUAL: 54 PSI
FLOW: 751 GPM



KEY PLAN

Hydraulic Information	
Remote Area 2	
OCCUPANCY CLASSIFICATION	Ordinary Group II
DENSITY	0.200gpm/ft² for 1500.00ft² (Actual 1562.97ft²)
TOTAL HOSE STREAMS	250.00
TOTAL HEADS FLOWING	15
K-FACTOR	8
TOTAL WATER REQUIRED	628.43
TOTAL PRESSURE REQUIRED	47.852
BASE OF RISER (gpm)	628.43
BASE OF RISER (psi)	47.852
SAFETY MARGIN (psi)	+11.785 (19.8%)

SPRINKLERS WILL HAVE 1" x 3/4" HEX BUSHINGS IN 1" OUTLETS

STE. 1012 - 39,906 FT²
WHOLE FOODS MARKET

Hydraulic Information	
Remote Area 4	
OCCUPANCY CLASSIFICATION	Ordinary Group II
DENSITY	0.200gpm/ft² for 1500.00ft² (Actual 528.27ft²)
TOTAL HOSE STREAMS	250.00
DRY CAPACITY	116.47gal
TOTAL HEADS FLOWING	7
K-FACTOR	8
TOTAL WATER REQUIRED	422.49
TOTAL PRESSURE REQUIRED	48.416
BASE OF RISER (gpm)	422.49
BASE OF RISER (psi)	48.416
SAFETY MARGIN (psi)	+11.222 (18.8%)

PER NFPA 11.2.3.4.2 SEVEN SPRINKLERS WERE CALCULATED FROM A SINGLE LINE

Hydraulic Information	
Remote Area 1	
OCCUPANCY CLASSIFICATION	Ordinary Group II
DENSITY	0.200gpm/ft² for 1500.00ft² (Actual 1615.25ft²)
TOTAL HOSE STREAMS	250.00
TOTAL HEADS FLOWING	13
K-FACTOR	8
TOTAL WATER REQUIRED	584.82
TOTAL PRESSURE REQUIRED	39.781
BASE OF RISER (gpm)	584.82
BASE OF RISER (psi)	39.781
SAFETY MARGIN (psi)	+19.856 (33.3%)

SPRINKLERS WILL HAVE 1" x 3/4" HEX BUSHINGS IN 1" OUTLETS

IN DRY SYSTEMS
SLOPE LINES AT 1/2" PER 10'-0" TOWARD MAINS
SLOPE MAINS AT 1/4" PER 10'-0" TOWARD DRAINS

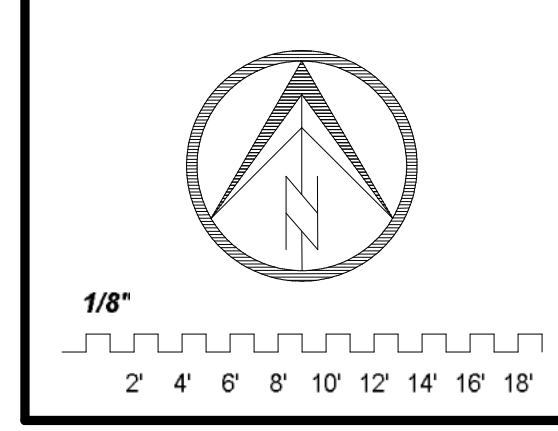
I HAVE REVIEWED THESE PLANS AND CERTIFY THAT THEY COMPLY WITH THE ADOPTED NFPA STANDARDS.
AMERICAN AUTOMATIC SPRINKLER
800 DE COSTA ST.
FORT WORTH, TX 76111
817/831-0366
SC-R-0030
RME-SIGNATURE: _____
PRINTED RME NAME: Don Freeman
RME - 0346-G DATE: 11-22-2012
 AS-BUILT SUBMITTAL OTHER

REVISIONS	REVIEWING AGENCY	GENERAL NOTES	PIPING SHALL BE:	DYNA FLOW	SCHED 10	SCHED 40	DESIGN CRITERIA	SYSTEM	SYM	SPRINKLERS	K	TEMP	QTY
10-19-12 8-30-2013	ASI #3 - ADD ELEVATOR AND STRUCTURAL BEAMS AS BUILTS	CONTROL ELEVATION CONTROL DIMENSION BRANCH LINE STARTER PIECES RISER NIPPLES ARMOVERS	FEED MAIN CROSS MAIN BRANCH LINE STARTER PIECES RISER NIPPLES ARMOVERS	<input checked="" type="checkbox"/>	<input checked="" type="checkbox"/>	<input checked="" type="checkbox"/>	OCCUPANCY: MERCANTILE HAZARD: ORD. GRP 2 CLASS: DENSITY: .20 GPM/FT² CALCULATED AREA: 1500 FT² AREA PER SPRINKLER: 130 FT² STORAGE HEIGHT: 12'	WET DRY DELUGE PREACTION FOAM COMBO	<input checked="" type="checkbox"/>	RELIABLE MODEL F1 3/4" BRASS UPRIGHT W/ BUSHING RELIABLE MODEL F1 3/4" BRASS HSW RELIABLE MODEL F1 3/4" BRASS UPRIGHT	8.0	200°	540
		SPRINKLER PIPING DIMENSIONS SHOWN ARE CUT LENGTH	BRANCH LINE FITTINGS SHALL BE CLASS 125 DUCTILE IRON				NOTES:						583
													583

AMERICAN AUTOMATIC SPRINKLER
800 DeCosta Street - Fort Worth, Texas 76111
Phone: 817 / 831-0366 Fax: 817 / 834-2420

VILLAGE ON THE PARKWAY
5100 Beltline Road - Building 1000
Addison, Texas 75254

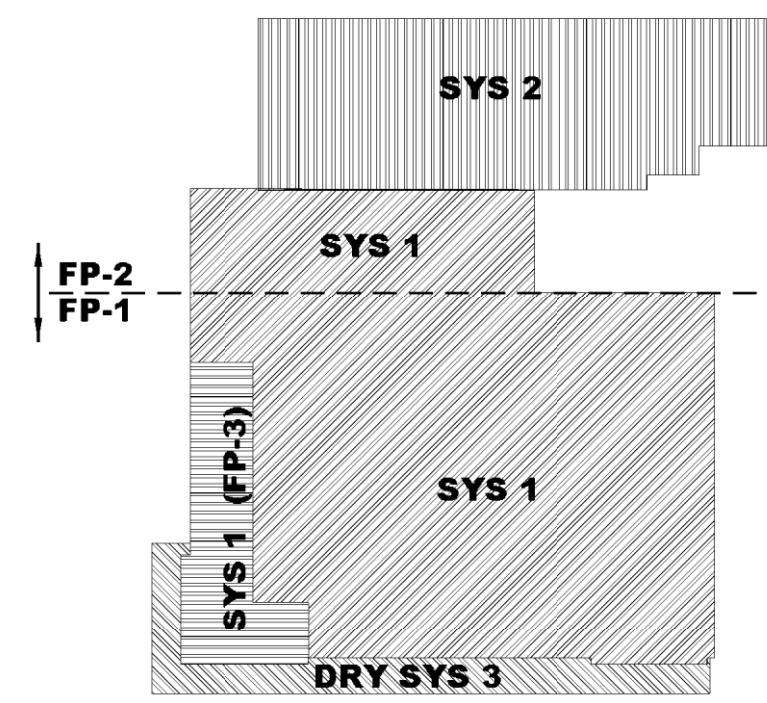
SCALE: 1/8" = 1'-0"
DATE: 11-22-2012
SYSTEM: 1
CONTRACT: 10-16585
SHEET 1 OF 3
DWG FILE:



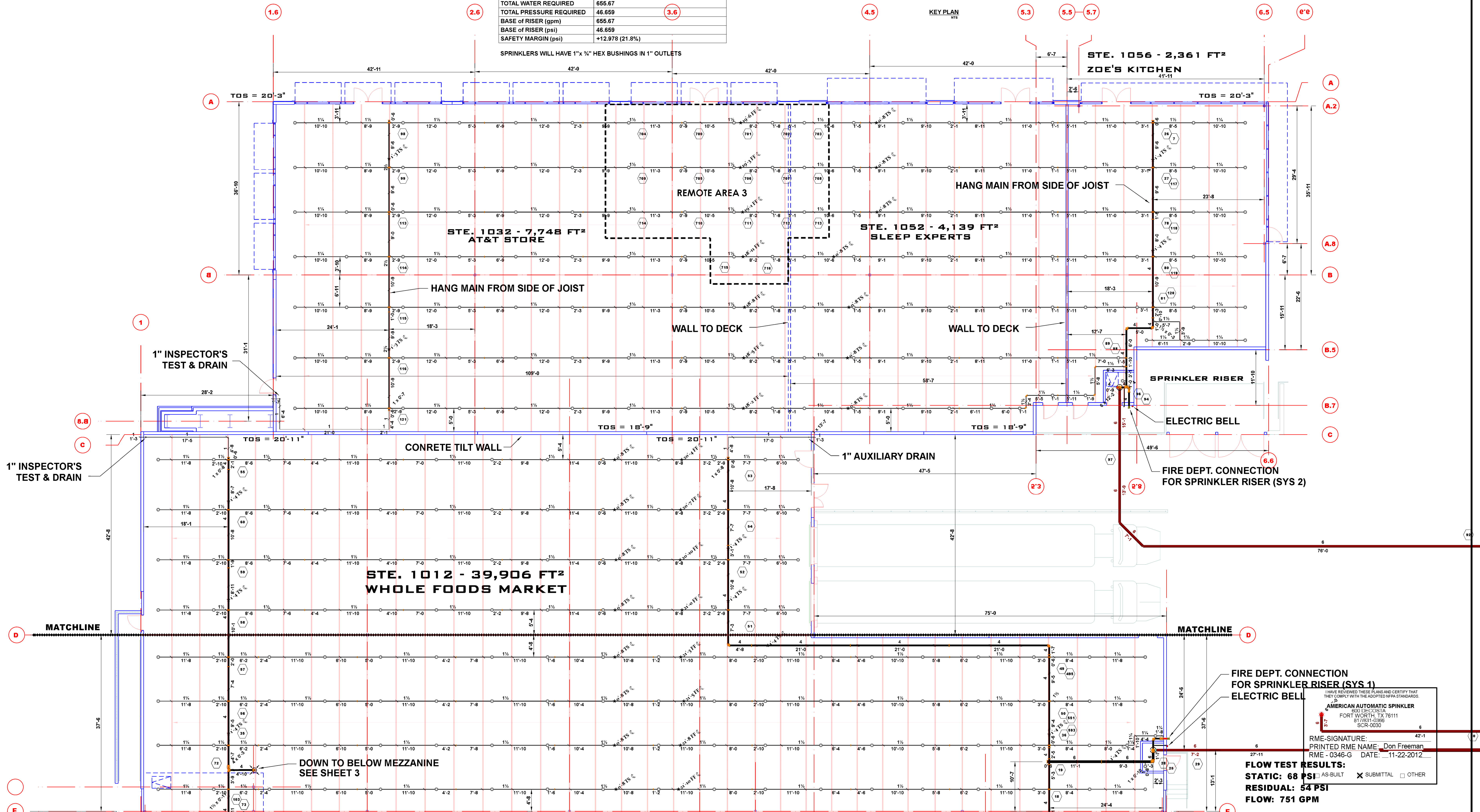
FP-1

Hydraulic Information	
Remote Area 3	
OCCUPANCY CLASSIFICATION	Ordinary Group II
DENSITY	0.200gpm/ft ² for 1500.00ft ² (Actual 1514.59ft ²)
TOTAL HOSE STREAMS	250.00
TOTAL HEADS FLOWING	17
K-FACTOR	8
TOTAL WATER REQUIRED	655.67
TOTAL PRESSURE REQUIRED	46.659
BASE OF RISER (gpm)	655.67
BASE OF RISER (psi)	46.659
SAFETY MARGIN (psi)	+12.978 (21.8%)

SPRINKLERS WILL HAVE 1" x 3/4" HEX BUSHINGS IN 1" OUTLETS



KEY PLAN



FIRE DEPT. CONNECTION FOR SPRINKLER RISER (SYS 1)
ELECTRIC BELL

I HAVE REVIEWED THESE PLANS AND CERTIFY THAT THEY COMPLY WITH THE ADOPTED NFPA STANDARDS.

AMERICAN AUTOMATIC SPRINKLER
800 DICKSON
FORT WORTH, TX 76111
817/831-0366
SCR-0030

RME-SIGNATURE: _____
PRINTED RME NAME: Don Freeman
RME - 0346-G DATE: 11-22-2012

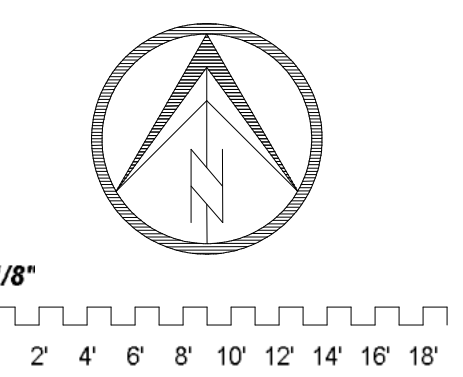
FLOW TEST RESULTS:
STATIC: 68 PSI AS-BUILT X SUBMITTAL □ OTHER
RESIDUAL: 54 PSI
FLOW: 751 GPM

REVISIONS	REVIEWING AGENCY	GENERAL NOTES	PIPING SHALL BE:	DYNA FLOW	SCHED 10	SCHED 40	DESIGN CRITERIA	SYSTEM	SYM	SPRINKLERS	K	TEMP	QTY
10-19-12 8-30-2013	ASI #3 - ADD ELEVATOR AND STRUCTURAL BEAMS AS BUILTS	ADDISON FIRE MARSHAL OWNER-OCCUPANT VILLAGE ON THE PARKWAY	FEED MAIN CROSS MAIN BRANCH LINE STARTER PIECES RISER NIPPLES ARMOVERS	X X X X X X	X X X X X X	X X X X X X	OCCUPANCY: MERCANTILE HAZARD: ORD. GRP 2 CLASS: DENSITY: .20 GPM/FT² CALCULATED AREA: 1500 FT² AREA PER SPRINKLER: 130 FT² STORAGE HEIGHT: 12'	WET X DRY X DELUGE X PREACTION X COMBO X	RELIABLE MODEL F1 3/4" BRASS UPRIGHT W/ BUSHING RELIABLE MODEL F1 3/4" BRASS HSW RELIABLE MODEL F1 3/4" BRASS UPRIGHT	8.0 8.0 8.0	200° 200° 200°	540 1 42	
BRANCH LINE FITTINGS SHALL BE CLASS 125 DUCTILE IRON NOTES:											TOTAL HEADS THIS SHEET	583	
											TOTAL HEADS FOR PROJECT	583	

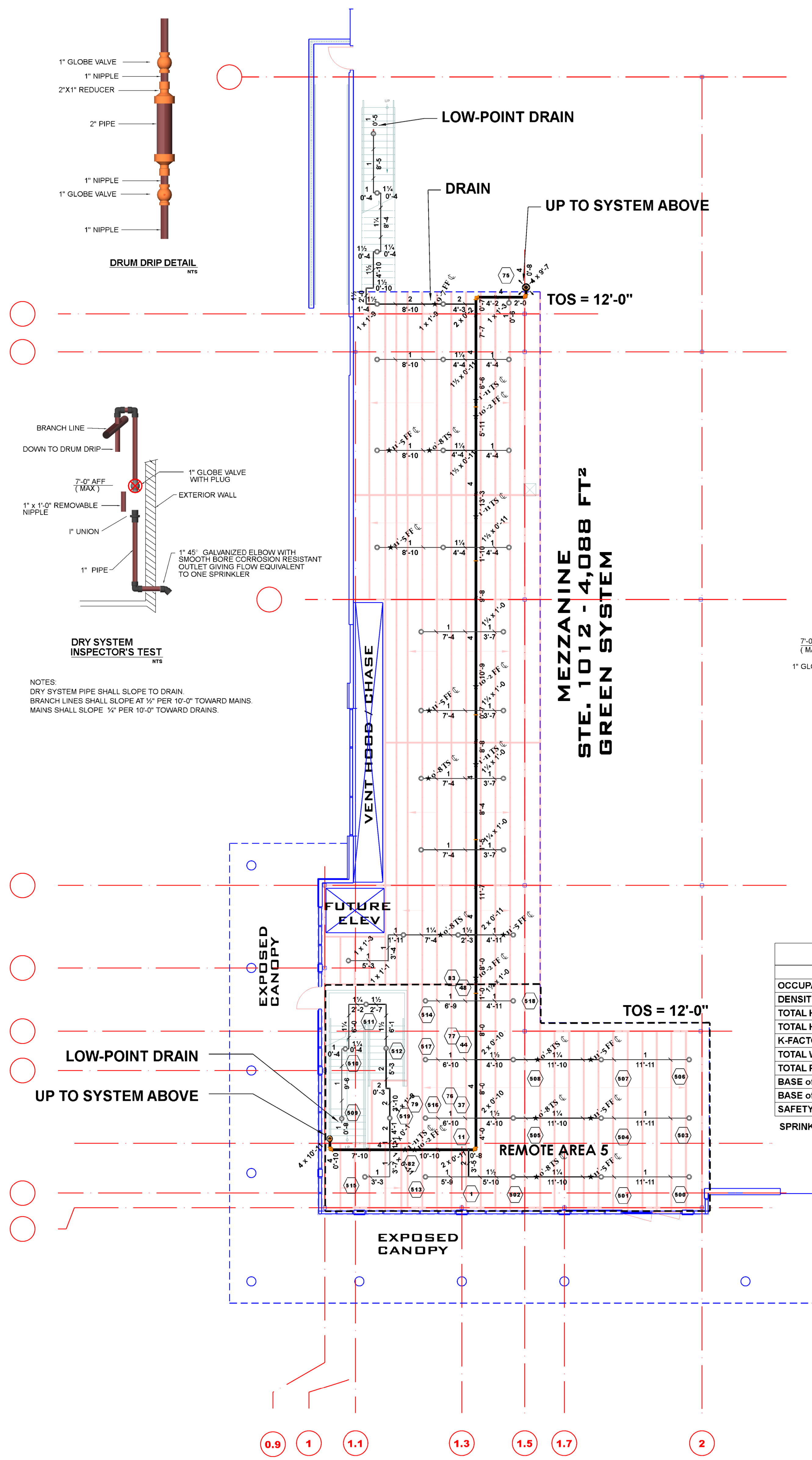
AMERICAN AUTOMATIC SPRINKLER
800 DeCosta Street - Fort Worth, Texas 76111
Phone: 817 / 831-0366 Fax: 817 / 834-2420

VILLAGE ON THE PARKWAY
5100 Beltline Road - Building 1000
Addison, Texas 75254

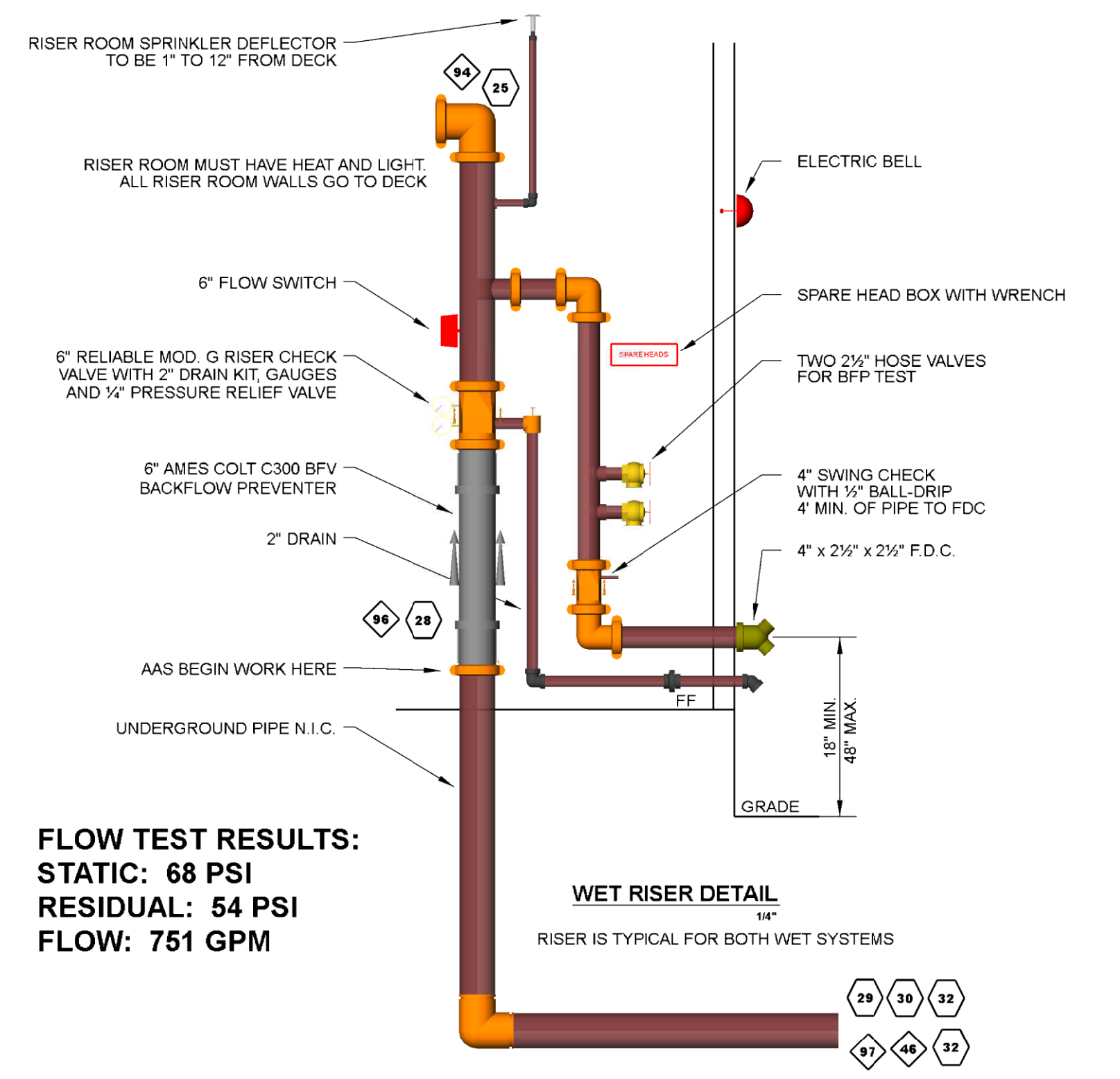
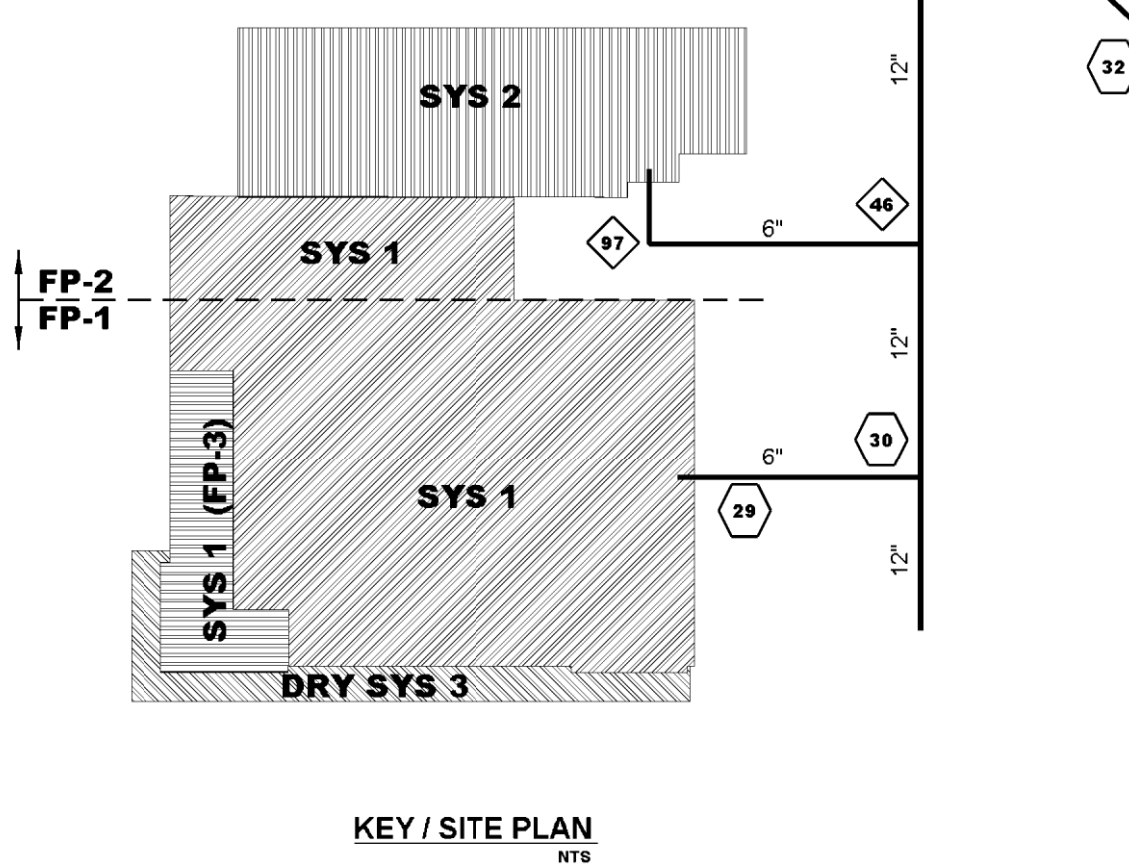
SCALE: 1/8" = 1'-0"
DATE: 11-22-2012
SYSTEM: 2
CONTRACT: 10-16585
SHEET 2 OF 3
DWG FILE:



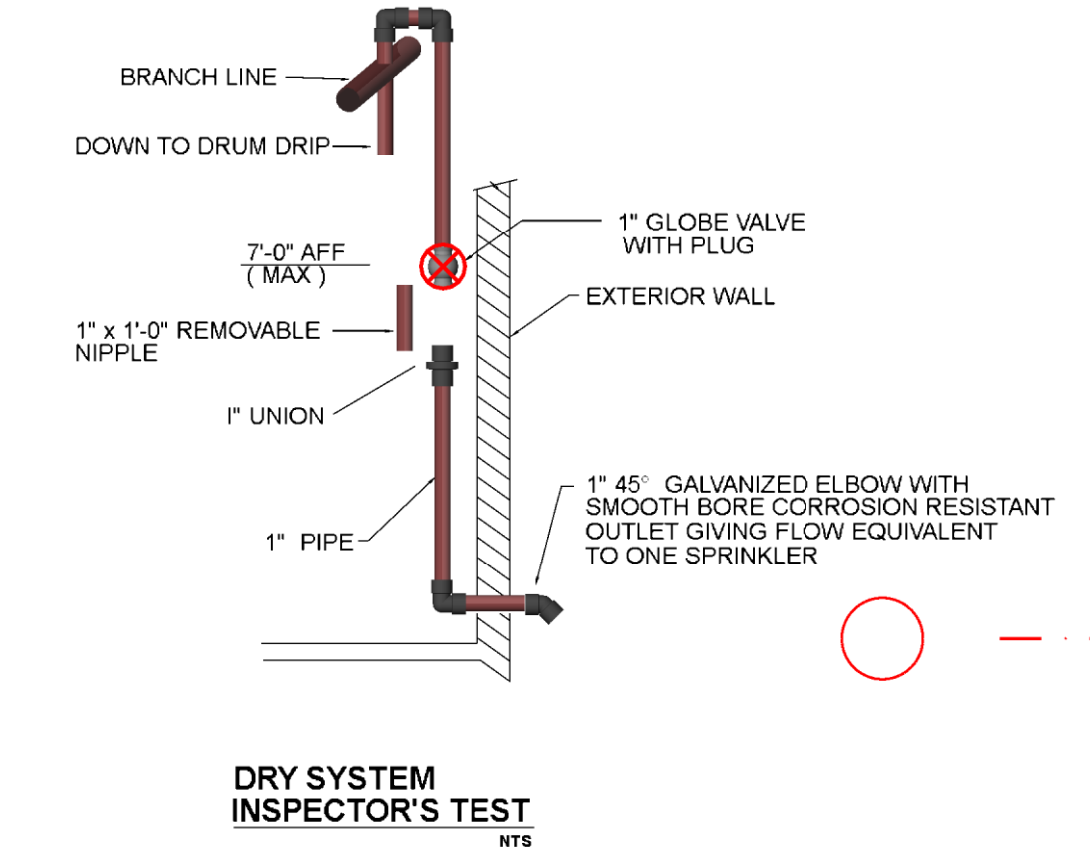
FP-2



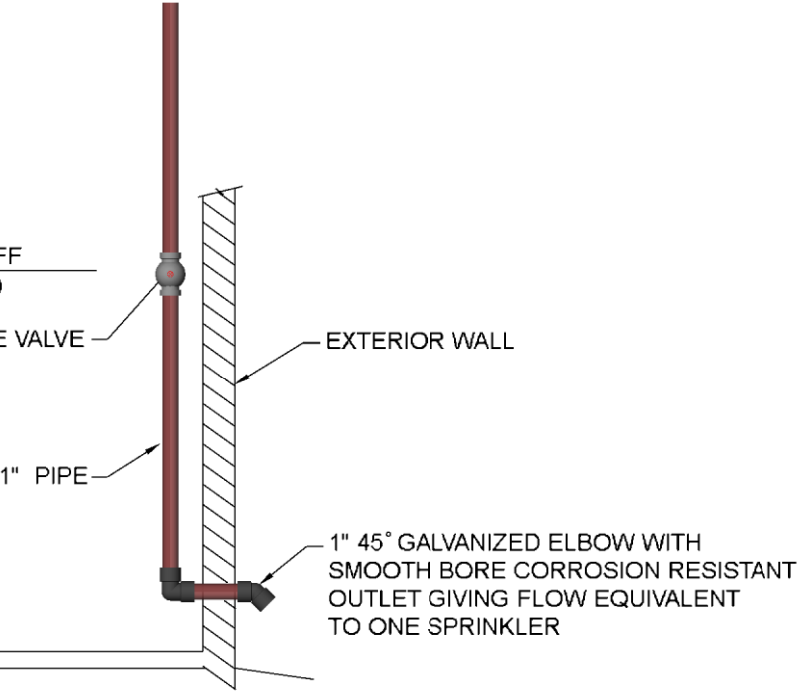
- GENERAL NOTES**
- AMERICAN AUTOMATIC SPRINKLER'S CONTRACT IS BASED ON BEGINNING WORK 1'-0" AFF AT THE RISER SPOOT AND PROVIDING TWO NEW COMPLETE AUTOMATIC SPRINKLER SYSTEMS FOR THE NEW BUILDING IN STRICT ACCORDANCE WITH NFPA 13 AND THE CITY OF ADDISON CODES AND ORDINANCES.
 - THE ABOVE GROUND INTERIOR PIPING SHALL BE AS FOLLOWS:
WET SYSTEM
ALL THREADED PIPE SIZES 1" TO 2" SHALL BE BLACK SCHEDULE 40 STEEL WITH THREADED DUCTILE IRON FITTINGS
ALL GROOVED PIPE SIZES 1 1/2" TO 6" SHALL BE BLACK SCHEDULE 10 STEEL USING DUCTILE IRON ROLL GROOVED FITTINGS.
DRY SYSTEM
ALL THREADED PIPE SIZES 1" TO 2" SHALL BE BLACK SCHEDULE 40 STEEL USING DUCTILE IRON THREADED FITTINGS.
ALL GROOVED PIPE SIZES 2 1/2" TO 6" SHALL BE BLACK SCHEDULE 10 STEEL USING DUCTILE IRON ROLL GROOVED FITTINGS AND COUPLINGS.
ALL PENETRATIONS THROUGH EXTERIOR WALLS SHALL BE GALVANIZED.
 - ALL WIRING OF THE SWITCHES SHALL BE PROVIDED BY OTHER CONTRACTOR.
 - ALL PIPING DIMENSIONS ARE CUT LENGTH.
 - ALL HANGERS AND SUPPORTS SHALL BE SIZED AND LOCATED PER NFPA 13.
 - ALL SYSTEM CONTROL VALVES ARE EQUIPPED WITH SUPERVISORY SWITCH.
 - A SPRINKLER CABINET WITH SPARE SPRINKLERS AND WRENCHES SHALL BE PROVIDED.
 - ALL MATERIALS USED SHALL BE LISTED FOR USE IN FIRE PROTECTION.
 - PROVISIONS SHALL BE MADE TO PROPERLY DRAIN ALL PARTS OF THE PROPOSED SYSTEMS. CROSS MAINS ARE EQUIPPED WITH A BOTTOM OUTLET FOR FLUSHING CONNECTION.
 - ADEQUATE THERMOSTATIC HEAT SHALL BE PROVIDED IN THE NEW BUILDINGS TO PREVENT WATER FILLED PIPE FROM FREEZING. THE FRONT CANOPY STRUCTURE WILL BE PROTECTED WITH A DRY SYSTEM.
 - HYDRAULIC DATA NAME PLATES ARE TO BE ATTACHED TO THE SPRINKLER RISERS.
 - THE FIRE SPRINKLER SYSTEM SHALL BE HYDROSTATICALLY TESTED AT 200 PSI OR 50 PSI IN EXCESS OF THE SYSTEM WORKING PRESSURE, WHICHEVER IS GREATER, AND SHALL MAINTAIN THAT PRESSURE WITHOUT LOSS FOR 2 HOURS MINIMUM.
 - ALL UPRIGHT SPRINKLER DEFLECTORS SHALL BE ALIGNED PARALLEL TO THE ROOF DECK PER NFPA 13.
 - IN DRY SYSTEMS, SLOPE ALL BRANCH LINES AT 1/2" PER 10'-0" TOWARD SUPPLYING MAINS. SLOPE ALL MAINS AT 1/4" PER 10'-0" TOWARD DRAIN DEVICES.
 - SPRINKLERS WILL BE INSTALLED ON 1" OUTLETS WITH HEX BUSHINGS FOR FUTURE RELOCATION.
 - SYSTEM DESIGN IS A MERCANTILE SHELL BUILDING FOR WHOLE FOODS MARKET AND OTHER RETAIL TENANTS IN LEASE AREAS. IT IS AN ORDINARY HAZARD GROUP 2 OCCUPANCY WITH A SYSTEM DENSITY OF .20 GPM/FT² OVER THE MOST REMOTE 1500 FT². THE SYSTEM HAS BEEN CALCULATED FOR A MAXIMUM STACKING HEIGHT OF 12'-0" ABOVE FINISHED FLOOR THROUGHOUT THE BUILDING.



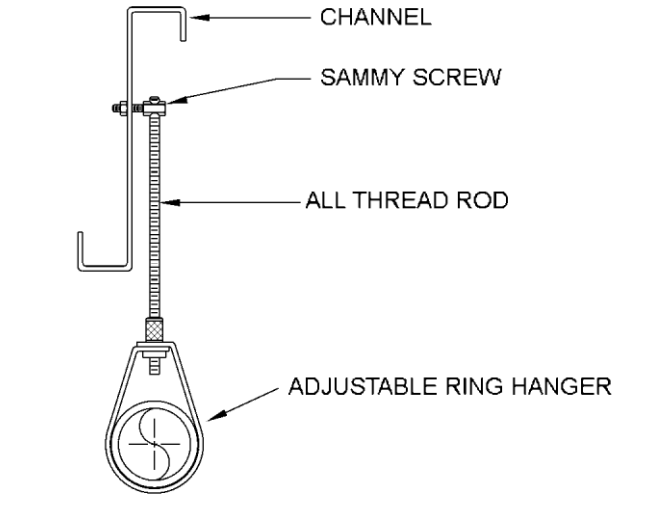
FLOW TEST RESULTS:
STATIC: 68 PSI
RESIDUAL: 54 PSI
FLOW: 751 GPM



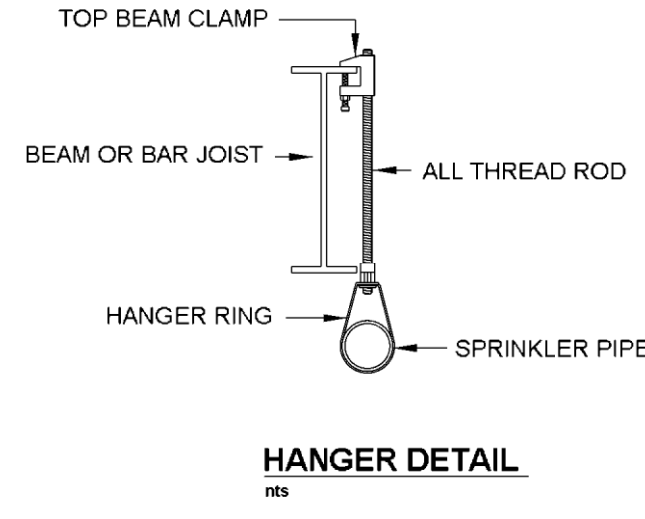
NOTES:
 DRY SYSTEM PIPE SHALL SLOPE TO DRAIN.
 BRANCH LINES SHALL SLOPE AT 1/2" PER 10'-0" TOWARD MAINS.
 MAINS SHALL SLOPE 1/2" PER 10'-0" TOWARD DRAINS.



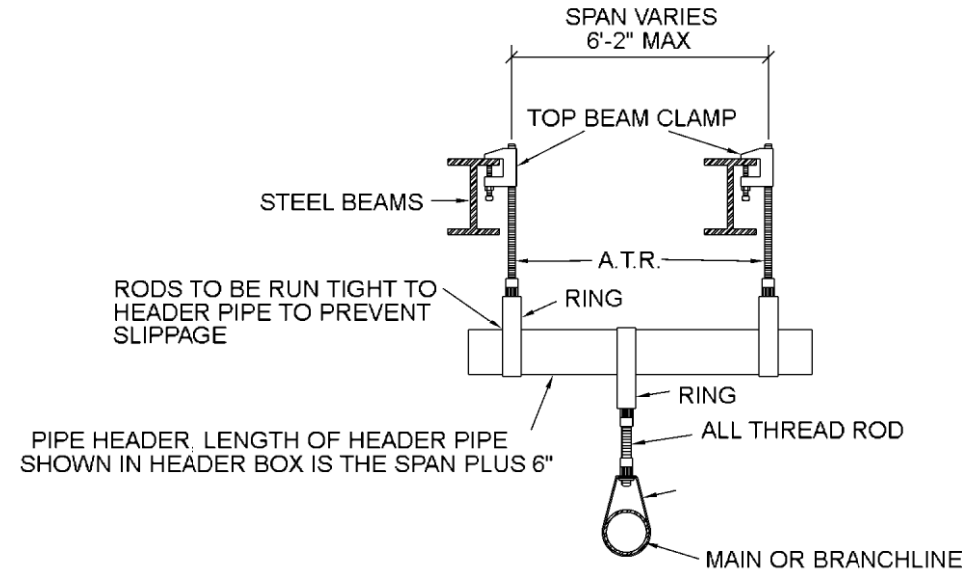
WET SYSTEM INSPECTOR'S TEST



SAMMY SCREW DETAIL
 THIS DETAIL APPLIES TO THE FRONT CANOPY



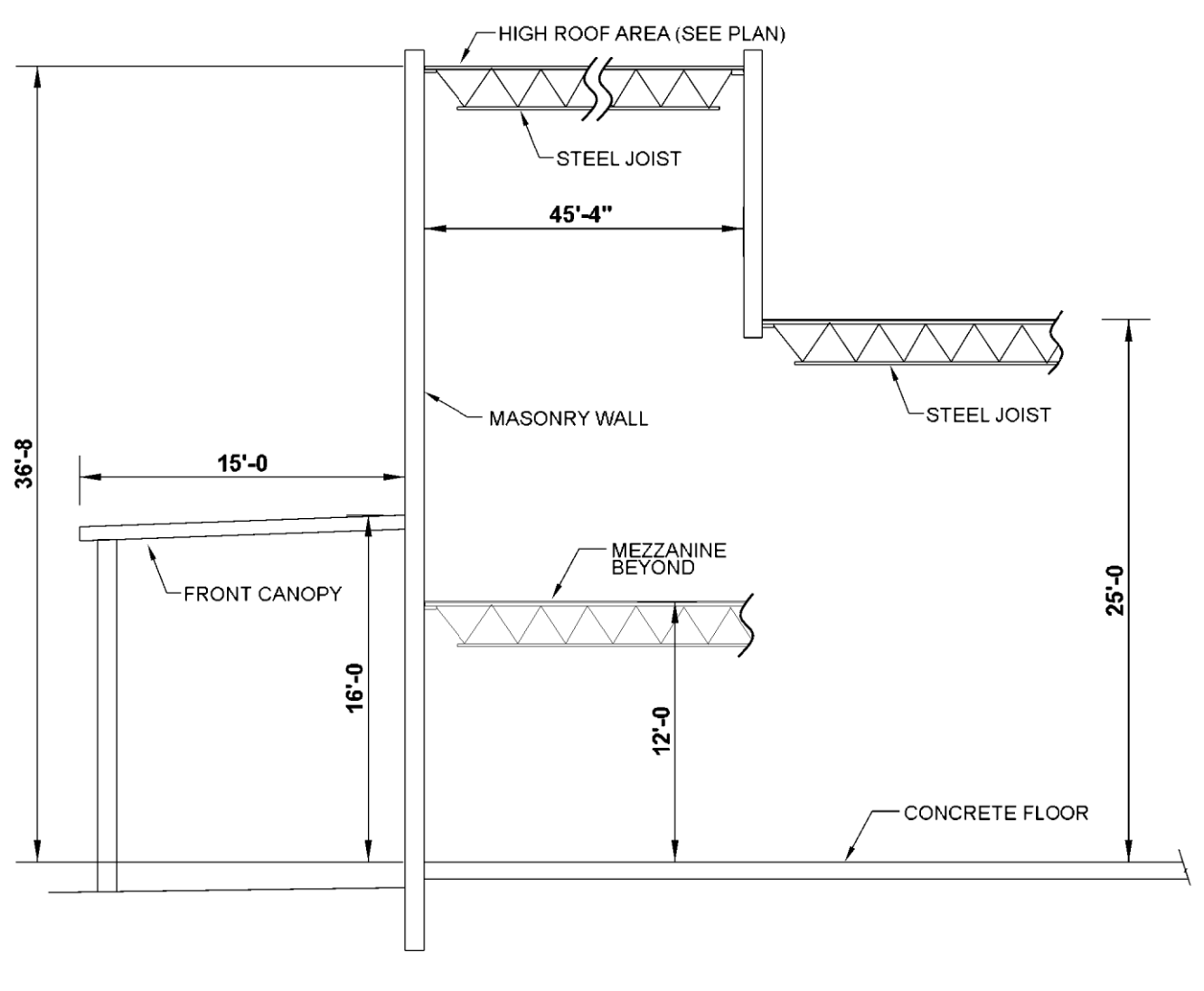
HANGER DETAIL
 ALL THREAD ROD SHALL BE 3/8" FOR PIPE UP TO 4" IN DIAMETER
 ALL THREAD ROD SHALL BE 1/2" FOR 6" PIPE.



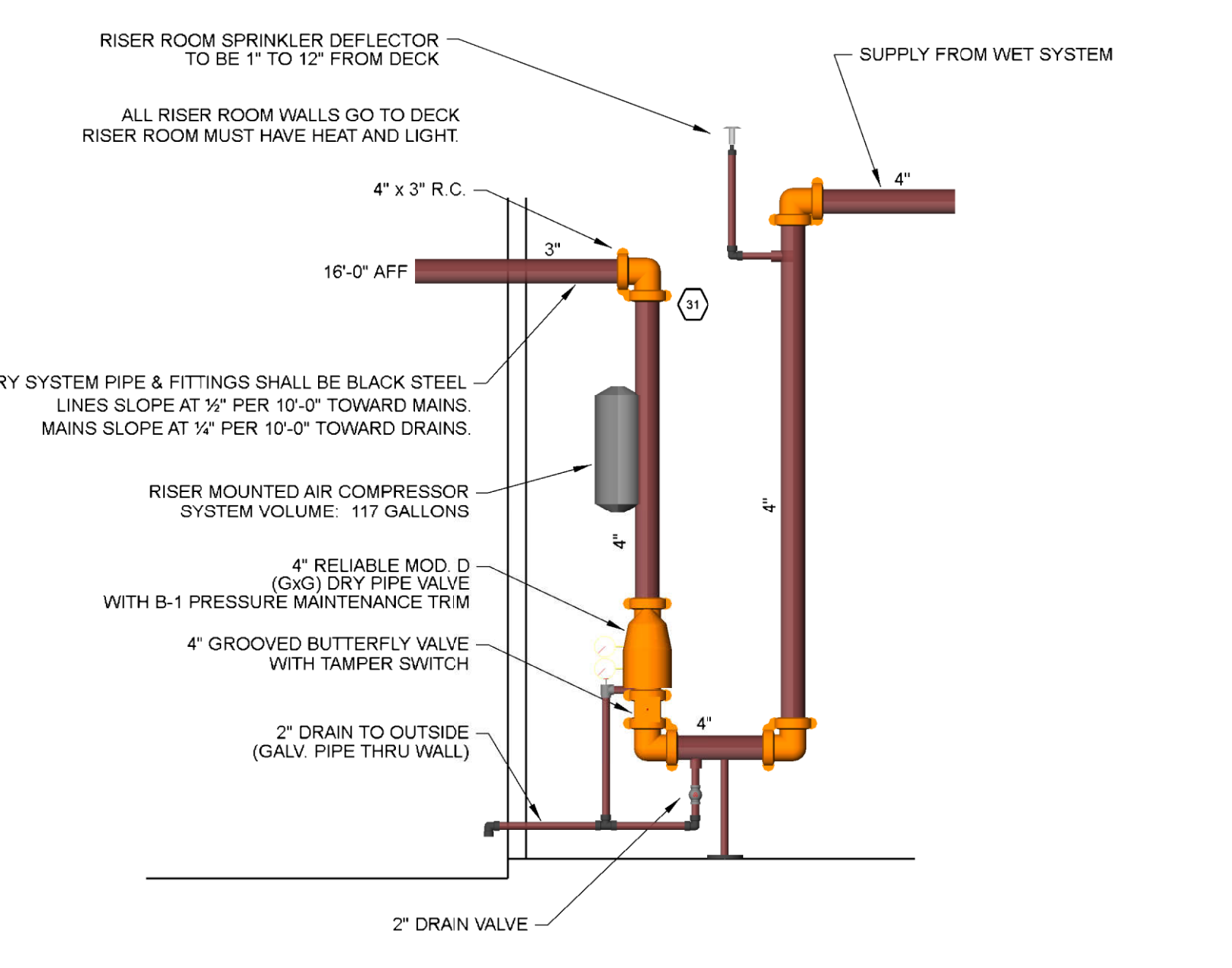
TRAPEZE HANGER DETAIL

Hydraulic Information	
Remote Area 5	
OCCUPANCY CLASSIFICATION	Ordinary Group II
DENSITY	0.200 gpm/ft ² for 1500.00ft ² (Actual 1502.52ft ²)
TOTAL HOSE STREAMS	250.00
TOTAL HEADS FLOWING	20
K-FACTOR	8
TOTAL WATER REQUIRED	751.66
TOTAL PRESSURE REQUIRED	47.868
BASE OF RISER (gpm)	751.66
BASE OF RISER (psi)	47.868
SAFETY MARGIN (psi)	+11.769 (19.7%)

SPRINKLERS WILL HAVE 1" x 3/4" HEX BUSHINGS IN 1" OUTLETS



BUILDING SECTION



DRY RISER DETAIL

I HAVE REVIEWED THESE PLANS AND CERTIFY THAT THEY COMPLY WITH THE ADOPTED NFPA STANDARDS.
AMERICAN AUTOMATIC SPRINKLER
 800 DILLON ST.
 FORT WORTH, TX 76111
 817/831-0366
 SCR-0030
 RME-SIGNATURE: _____
 PRINTED RME NAME: Don Freeman
 RME - 0346-G DATE: 11-22-2012
 AS-BUILT SUBMITTAL OTHER

REVISIONS	REVIEWING AGENCY	GENERAL NOTES	PIPING SHALL BE:	DYNA FLOW	SCHED 10	SCHED 40	DESIGN CRITERIA	SYSTEM	SYM	SPRINKLERS	K	TEMP	QTY
10-19-12 8-30-2013	ASI #3 - ADD ELEVATOR AND STRUCTURAL BEAMS AS BUILTS	CONTROL ELEVATION BELOW TOP OF STEEL ABOVE FINISHED FLOOR	FEED MAIN		X		OCCUPANCY: MERCANTILE HAZARD: ORD. GRP 2 CLASS: DENSITY: .20 GPM/FT ² CALCULATED AREA: 1500 FT ² AREA PER SPRINKLER: 130 FT ² STORAGE HEIGHT: 12'	WET X		RELIABLE MODEL F1 3/4" BRASS UPRIGHT W/ BUSHING	8.0	200°	540
		SPRINKLER PIPING DIMENSIONS SHOWN ARE CUT LENGTH	CROSS MAIN		X			DRY X		RELIABLE MODEL F1 3/4" BRASS HSW	8.0	200°	1
			BRANCH LINE		X	X		DELUGE		RELIABLE MODEL F1 3/4" BRASS UPRIGHT	8.0	200°	42
			STARTER PIECES		X	X		PREACTION					
			RISER NIPPLES		X	X		FOAM					
			ARMOVERS		X	X		COMBO X					
			BRANCH LINE FITTINGS SHALL BE CLASS 125 DUCTILE IRON										
													583
													583

AMERICAN AUTOMATIC SPRINKLER
 800 DeCosta Street - Fort Worth, Texas 76111
 Phone: 817 / 831-0366 Fax: 817 / 834-2420

VILLAGE ON THE PARKWAY
 5100 Beltline Road - Building 1000
 Addison, Texas 75254

SCALE: 1/8" = 1'-0"
 DATE: 11-22-2012
 SYSTEM: 1
 CONTRACT: 10-16595
 SHEET 3 OF 3
 DWG FILE:

FP-3