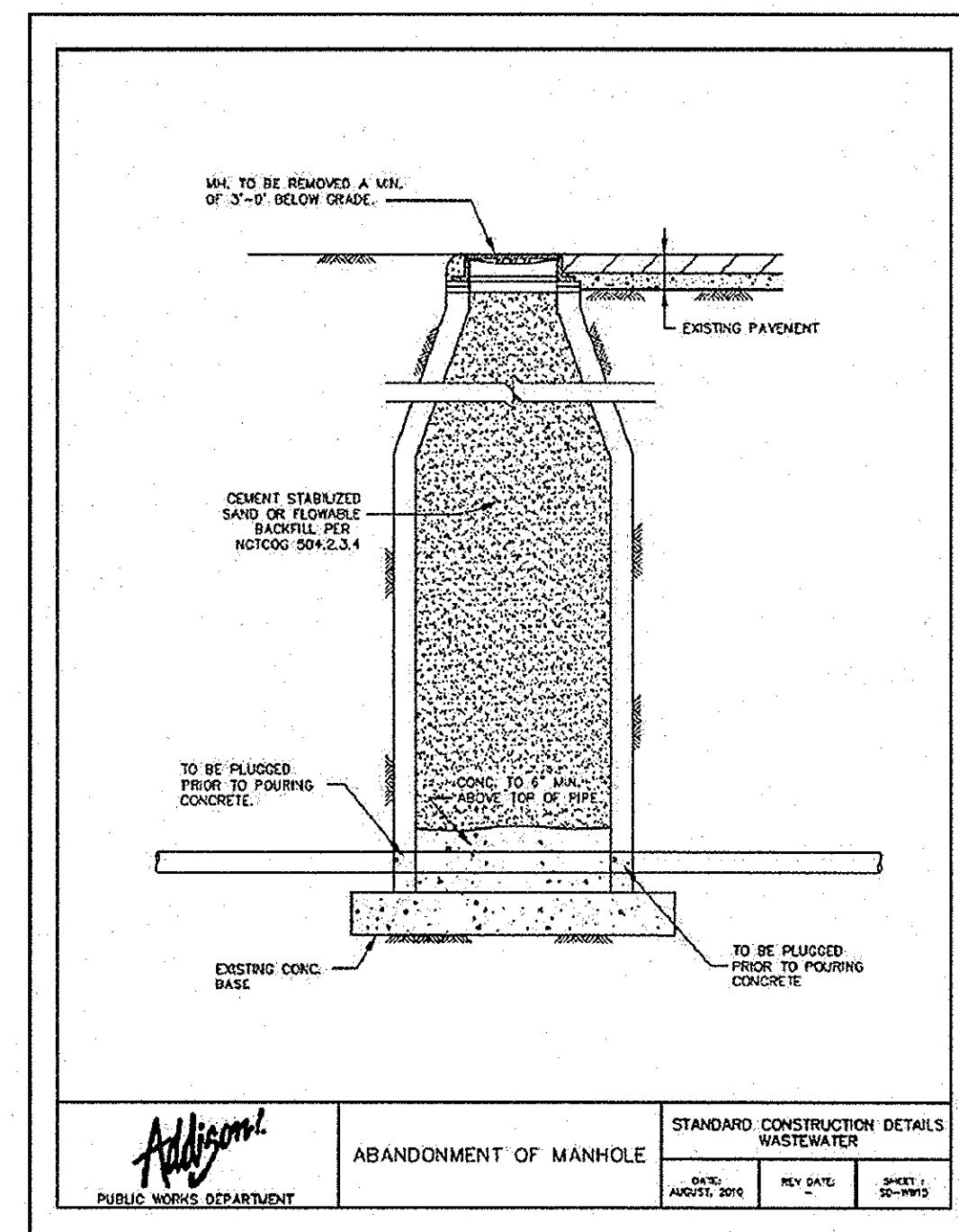
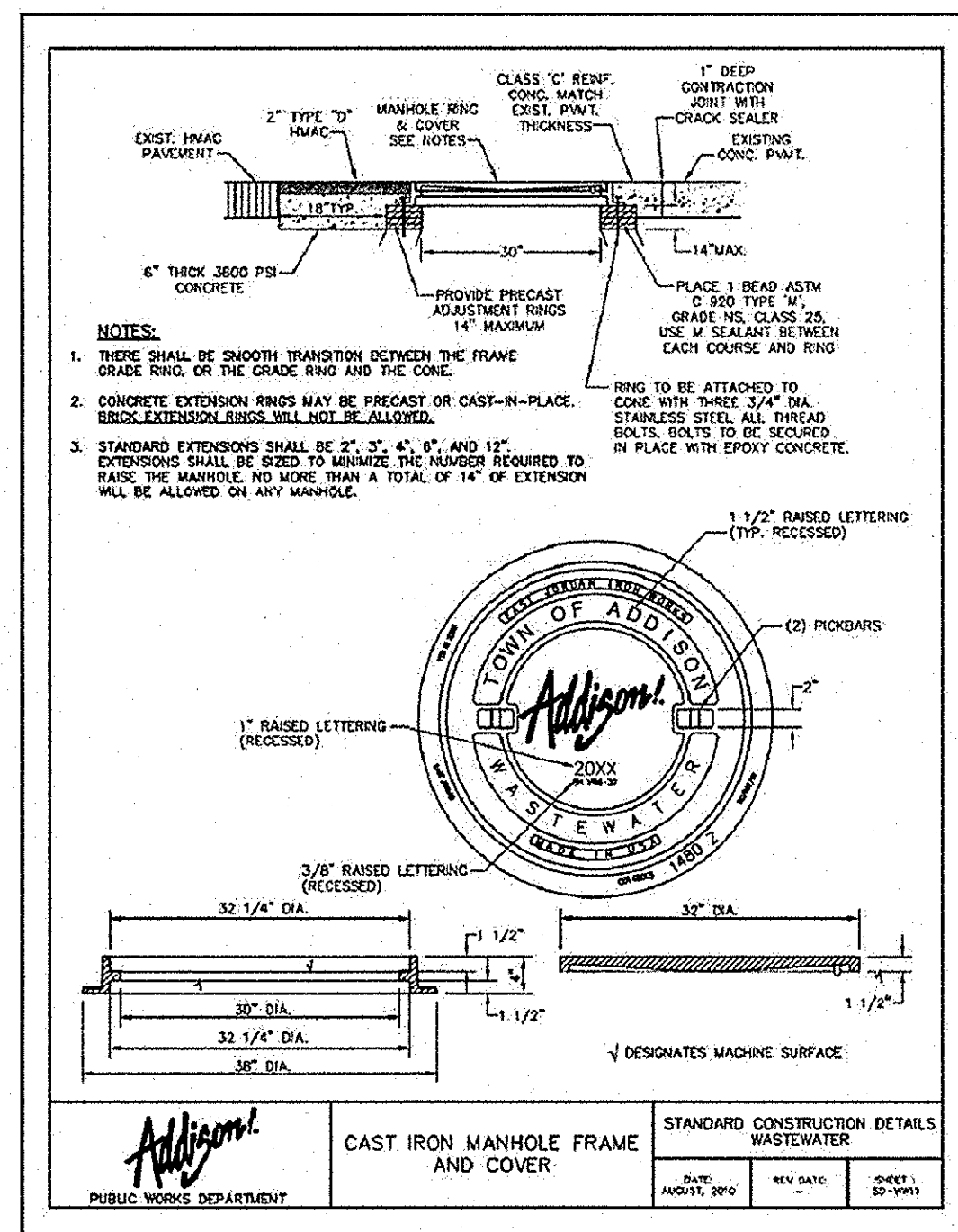
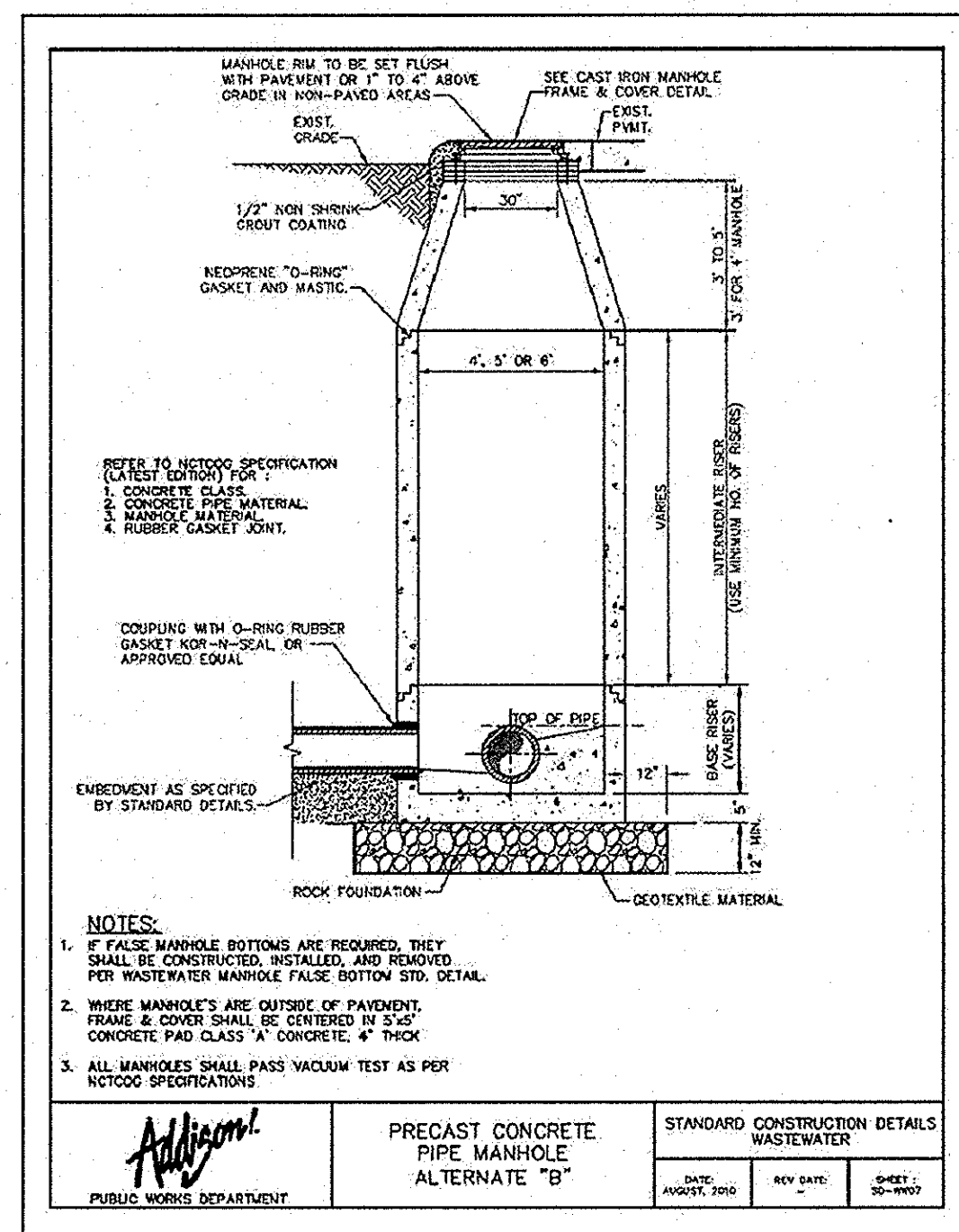
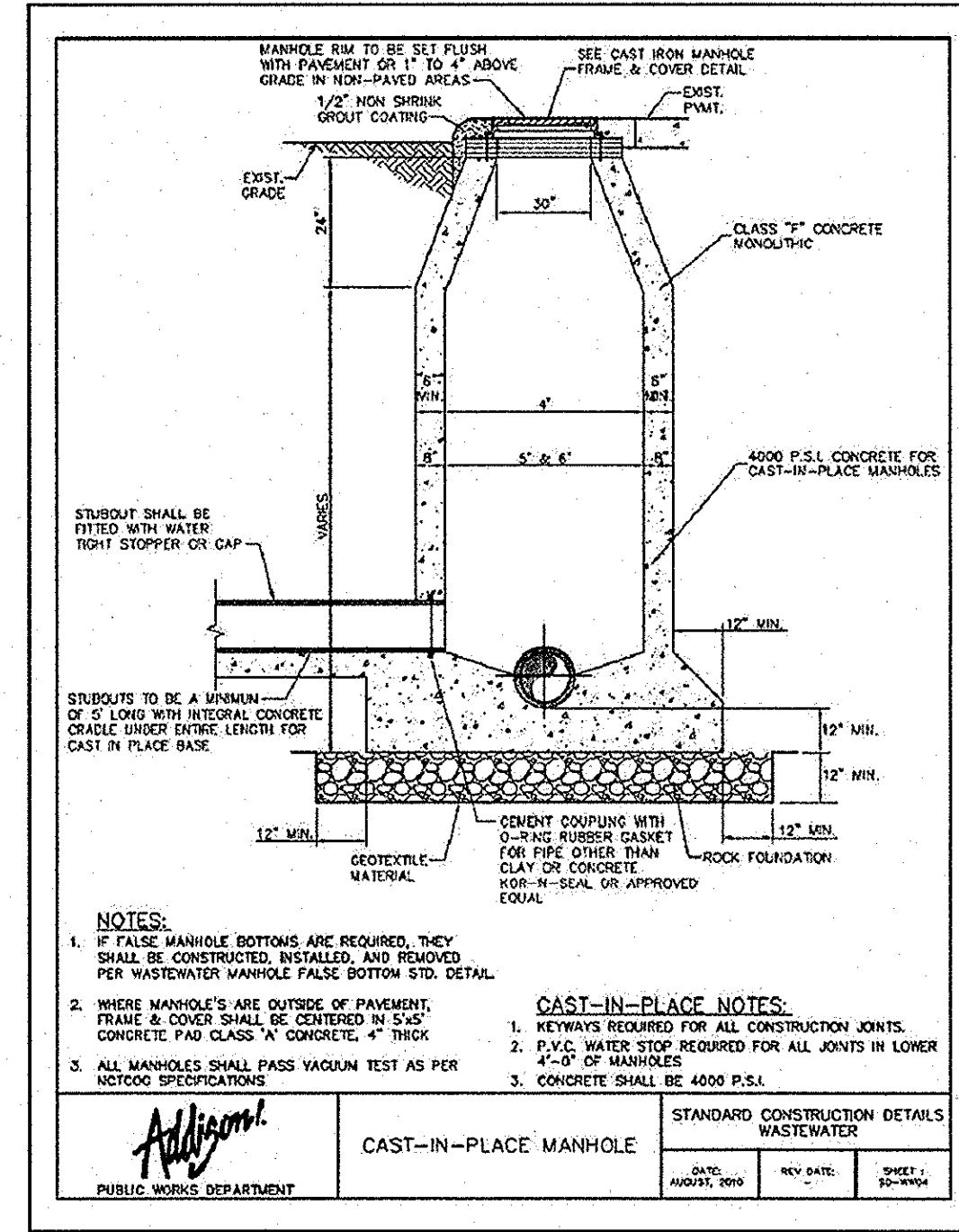
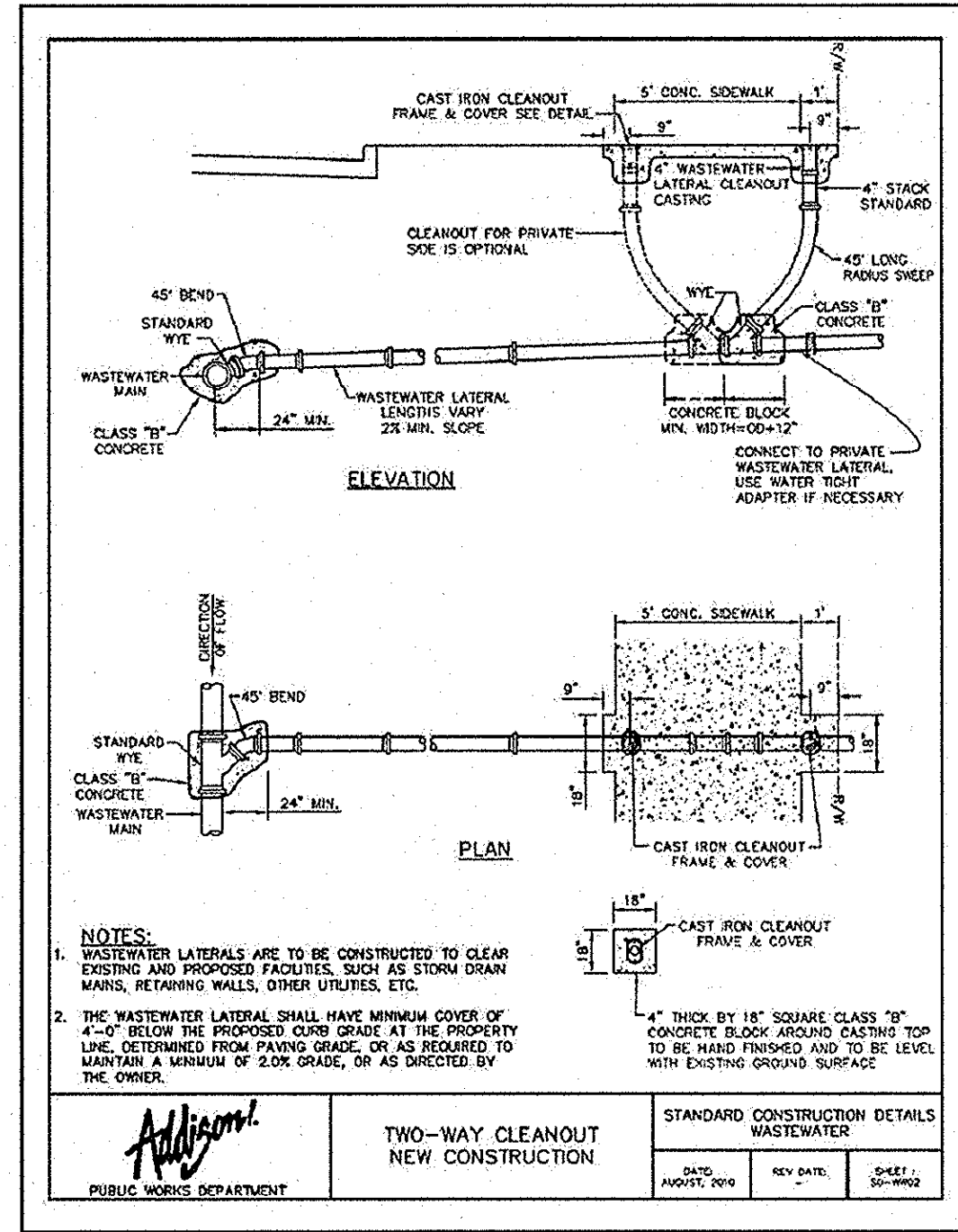
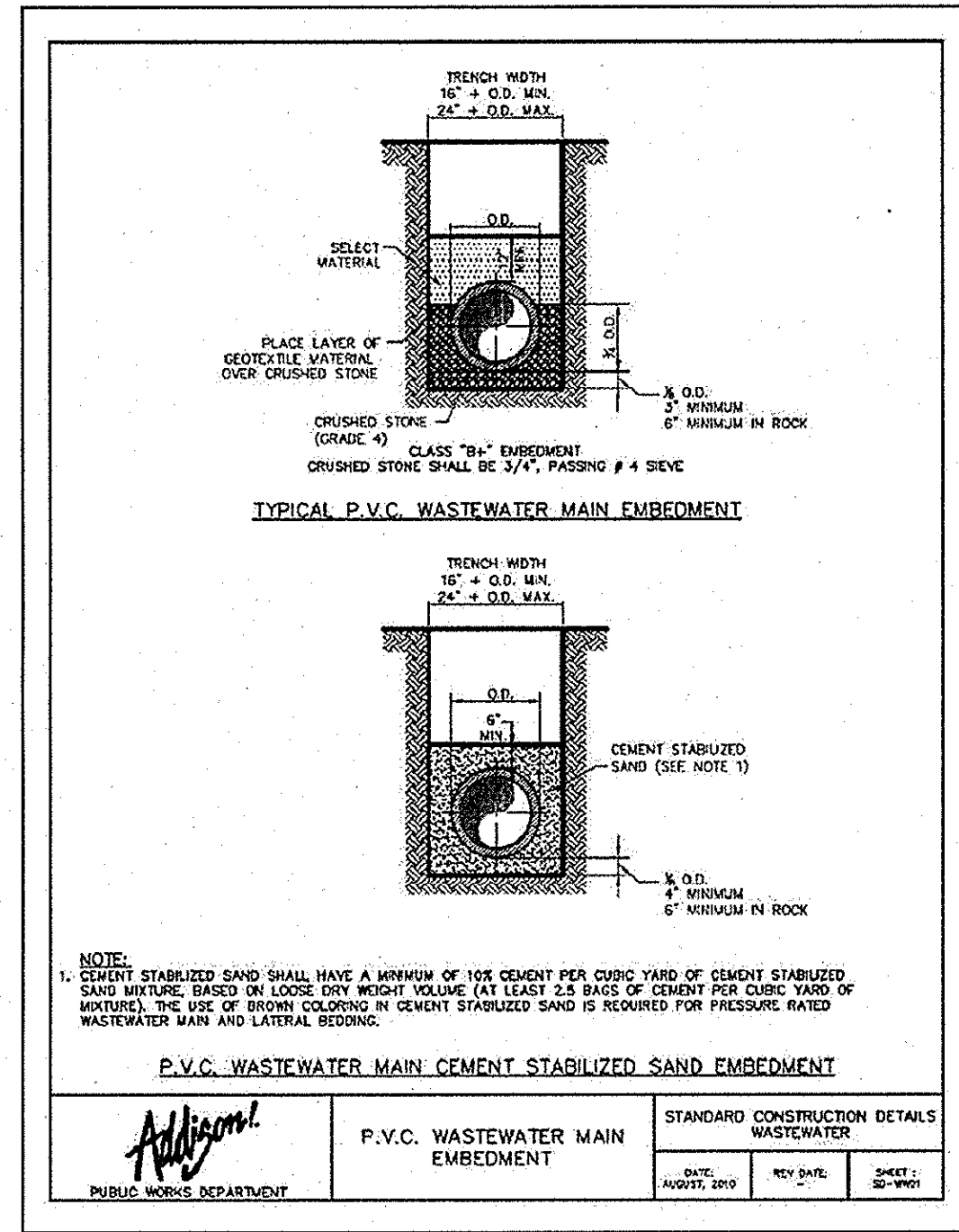
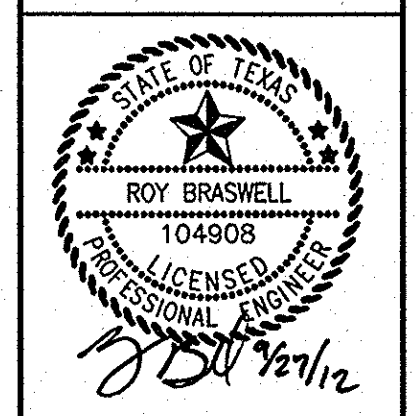


PLOTTED BY: MAURICIO MORALES, APTX01404801XN C:\TOWN OF ADDISON\WASTEWATER\DETAILS 1
 DWG NAME: K:\P\13\130338\WASTEWATER\DETAILS\DWG 130338\WASTEWATER\DETAILS 1
 LAST SAVED: 8/28/2012 10:58 PM
 This document, together with the concepts and designs presented herein, is an instrument of service, and is intended only for the specific purpose and client for which it was prepared. Reuse of and improper reliance on this document without written authorization and adaptation by Kimley-Horn and Associates, Inc. shall be without liability to Kimley-Horn and Associates, Inc.



No.	REVISIONS	DATE	BY

Kimley-Horn and Associates, Inc.
 State of Texas Registration No. F-928
 5750 GENESS COURT, SUITE 200, FRISCO, TX 75034
 PHONE: 972-335-3580 FAX: 972-335-3779
 WWW.KIMLEY-HORN.COM



KHA PROJECT	0633190338
DATE	9/27/2012
SCALE	AS SHOWN
DESIGNED BY	TBB
DRAWN BY	AJE
CHECKED BY	TBB

VILLAGE ON THE PARKWAY
 ADDISON, TEXAS

TOWN OF ADDISON WASTEWATER DETAILS

RECORD DRAWINGS (October 2013)
 Information Provided By:
BOB MOORE CONSTRUCTION