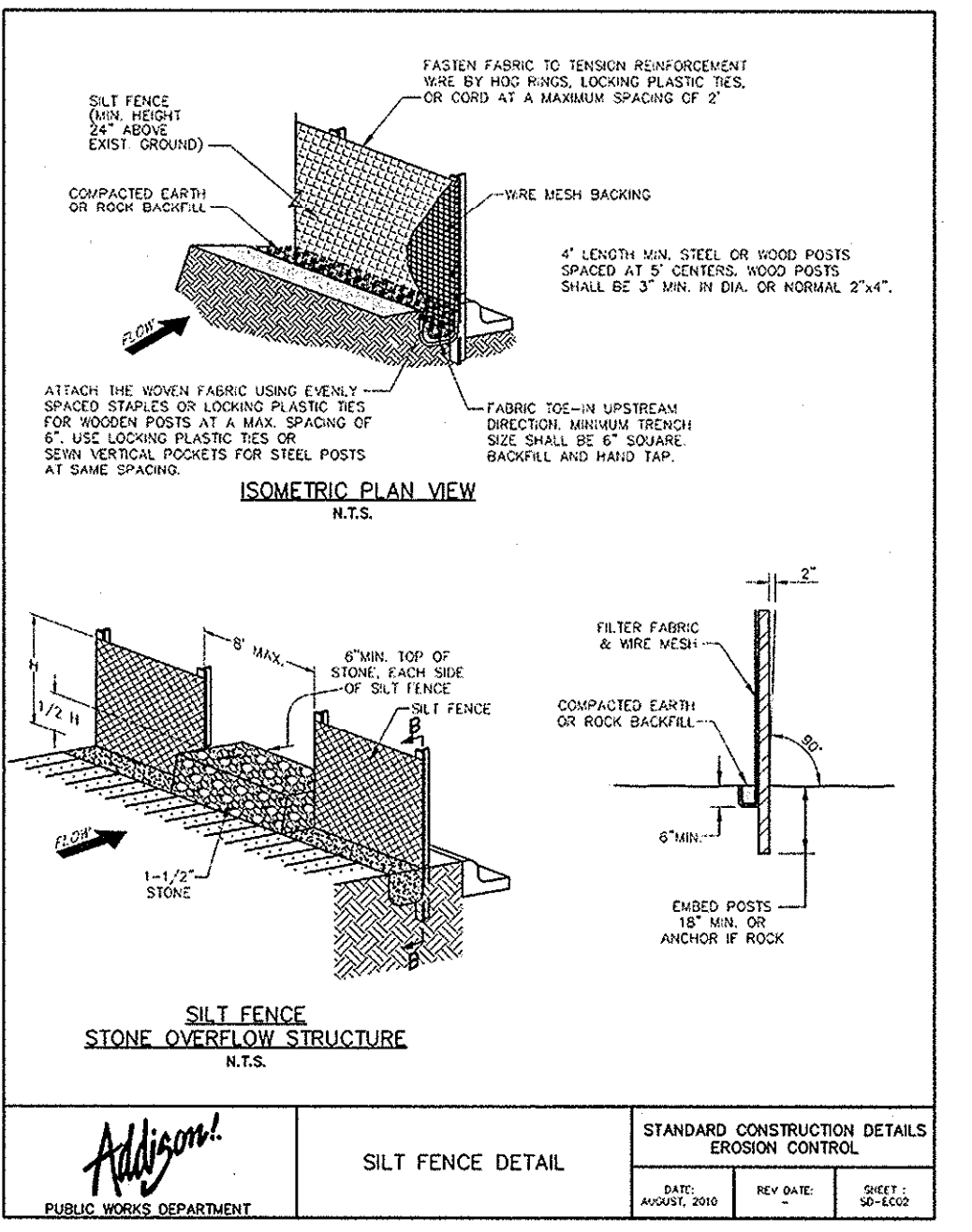
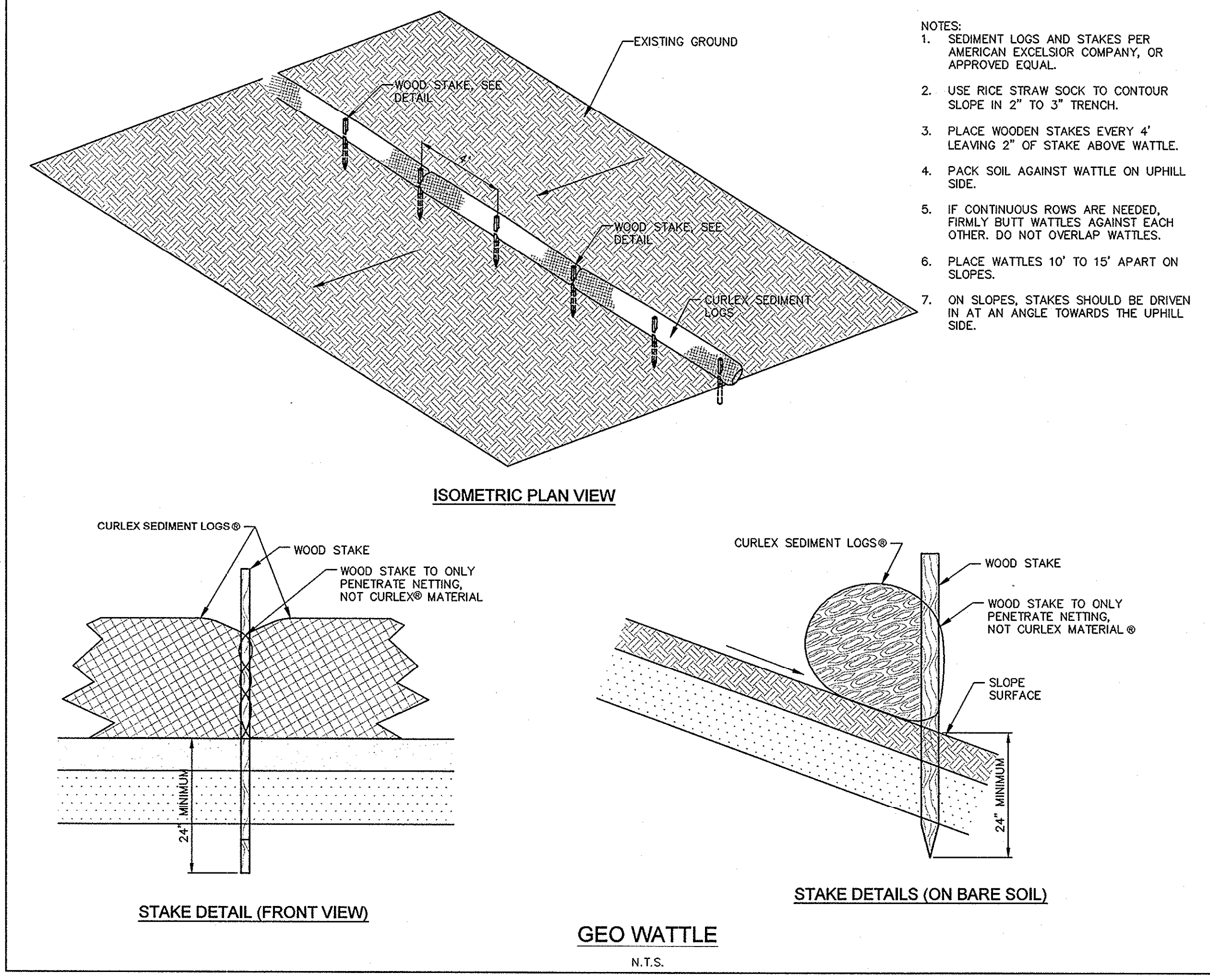
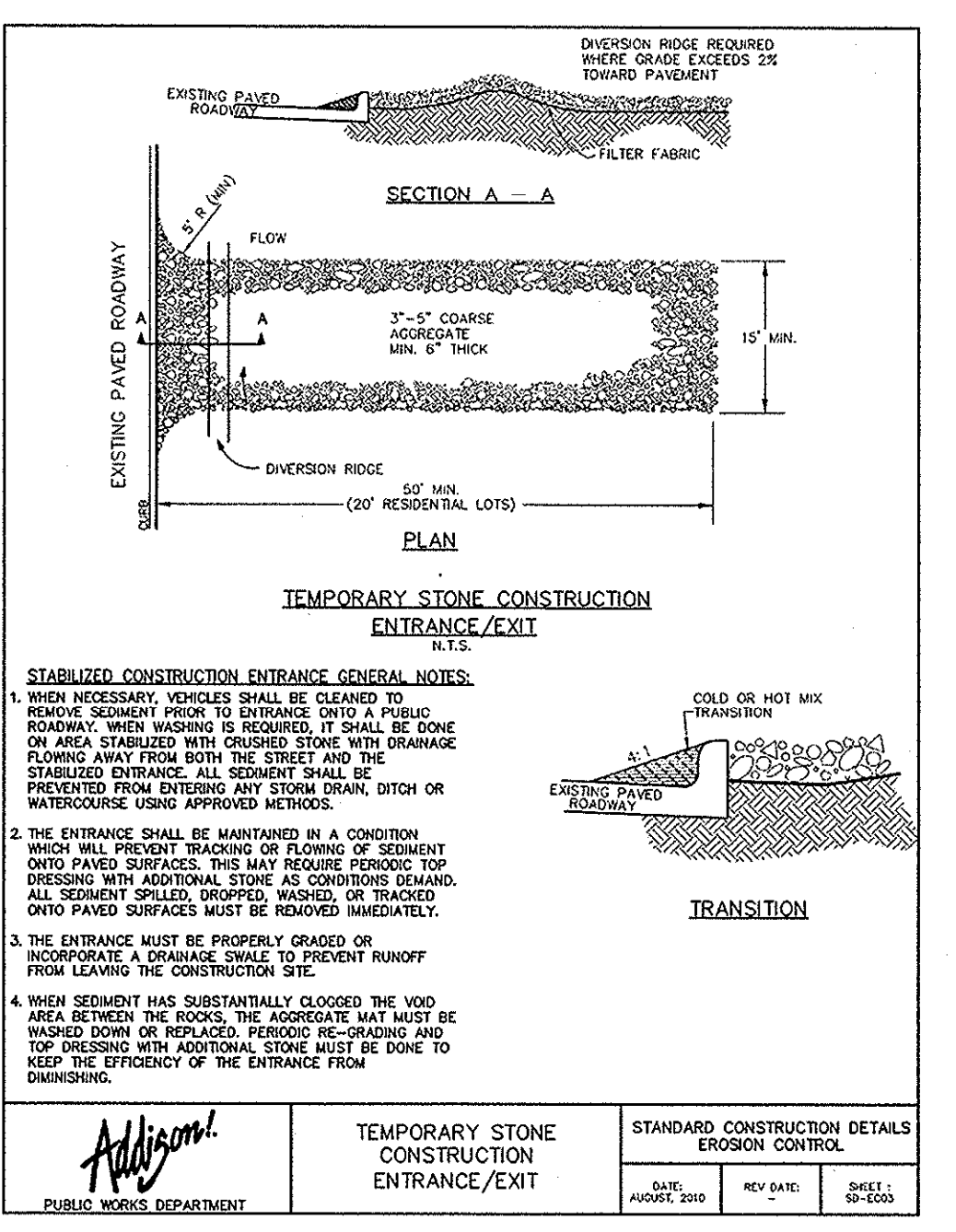
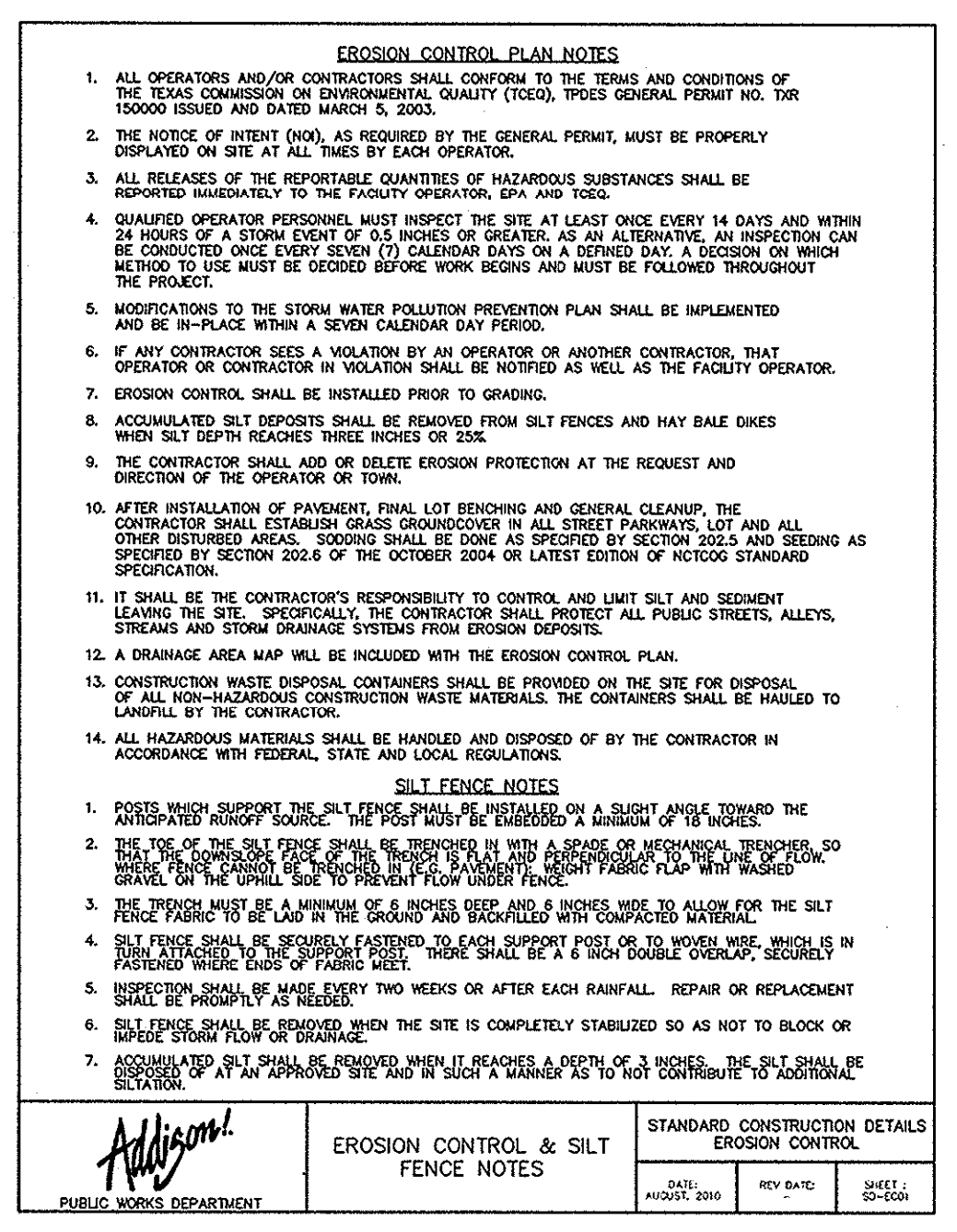
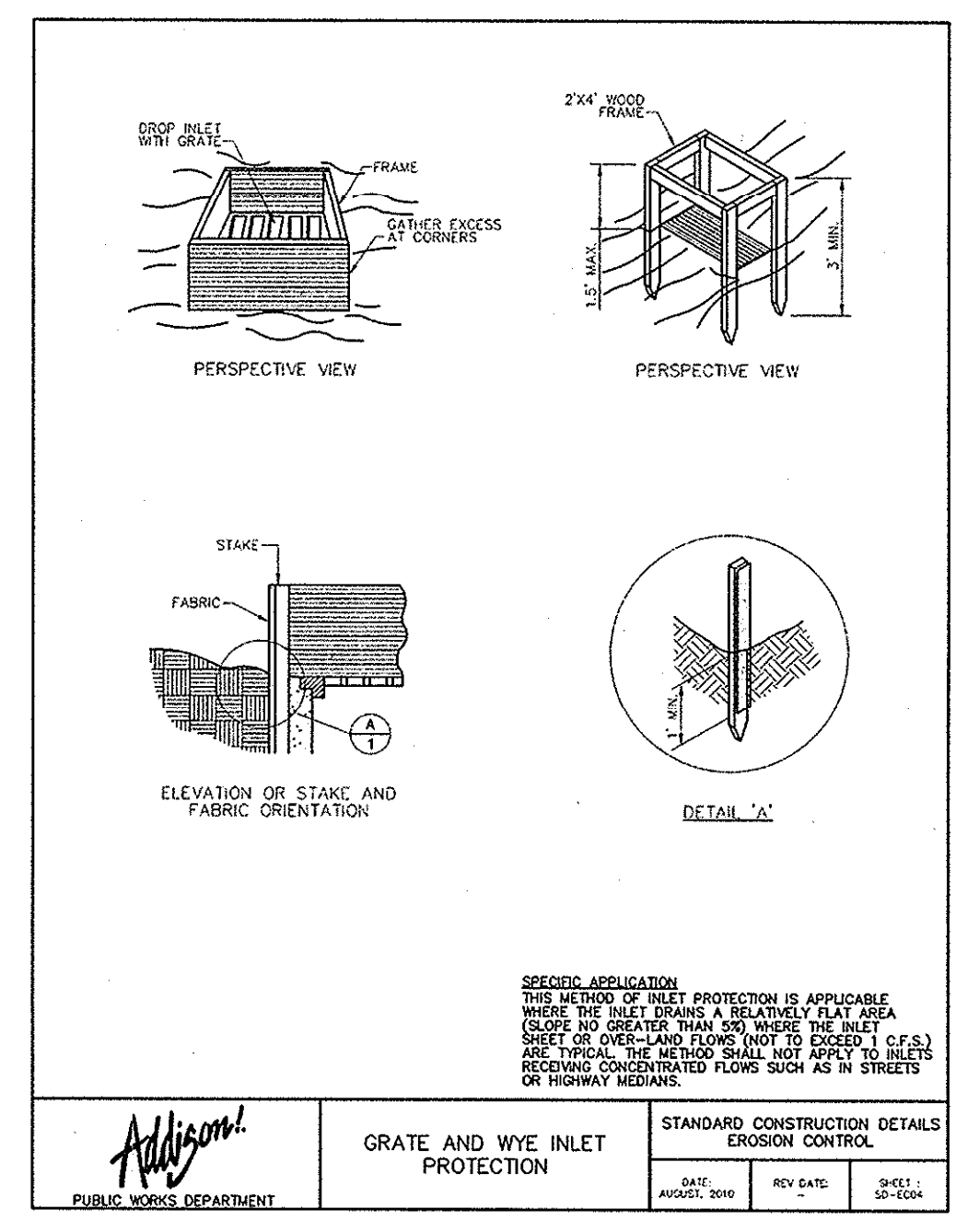


KIMLEY-HORN AND ASSOCIATES, INC. 15000 FRISCO ROAD, SUITE 200, FRISCO, TEXAS 75034  
 PHONE: 972-335-3580 FAX: 972-335-3779 WWW.KIMLEY-HORN.COM  
 STATE OF TEXAS REGISTRATION NO. F-928  
 ROY BRASWELL 104908 LICENSED PROFESSIONAL ENGINEER  
 DATE: 07/16/2013  
 SCALE: AS SHOWN  
 DESIGNED BY: TBB  
 DRAWN BY: AAE  
 CHECKED BY: TBB  
 KHA PROJECT: 065319038



**GENERAL NOTES**

- THE OWNER AND CONTRACTOR SHALL EACH SUBMIT A CONSTRUCTION SITE NOTICE (TXR 150000 FORM) TO THE CITY OF FRISCO AT LEAST 48 HOURS PRIOR TO COMMENCING CONSTRUCTION ACTIVITIES. OWNER AND CONTRACTOR ARE RESPONSIBLE FOR RETAINING PROOF THAT THE FORM WAS SUBMITTED TO THE CITY (PROOF MUST CONSIST OF CERTIFIED MAIL WITH RETURN RECEIPT).
- TEXAS POLLUTANT DISCHARGE ELIMINATION SYSTEM (PPDES) CONSTRUCTION GENERAL PERMIT TXR150000, LANDSCAPE PLANS, GEOTECHNICAL INVESTIGATION (IF PREPARED), CIVIL ENGINEERING PLANS AND ALL APPLICABLE SPECIFICATIONS ARE HEREBY INCORPORATED INTO THIS SWPPP. CONTRACTOR SHALL OBTAIN AND KEEP A CURRENT COPY OF THESE DOCUMENTS AT THE CONSTRUCTION SITE.
- ALL EROSION AND SEDIMENTATION CONTROLS MUST BE DESIGNED, INSTALLED AND MAINTAINED TO RETAIN SEDIMENT ON-SITE TO THE EXTENT PRACTICABLE.
- ALL CONTROL MEASURES MUST BE SELECTED, INSTALLED, AND MAINTAINED IN ACCORDANCE WITH MANUFACTURERS SPECIFICATIONS AND GOOD ENGINEERING PRACTICES.
- OFF-SITE ACCUMULATIONS OF SEDIMENT ESCAPING PROJECT SITE MUST BE REMOVED AT A FREQUENCY NECESSARY TO MINIMIZE OFF-SITE IMPACTS. FOR EXAMPLE, SEDIMENTATION WITHIN STREETS ADJACENT TO THE PROJECT SITE MUST BE REMOVED PRIOR TO RAINFALL EVENTS. ALL FINES IMPOSED FOR TRUCKING ONTO PUBLIC ROADS SHALL BE PAID BY THE CONTRACTOR. IN ANY EVENT SILT SHALL ALWAYS BE REMOVED SUCH THAT PONDING IN A STREET IS PREVENTED.
- CONTRACTOR MUST REMOVE SEDIMENT FROM ALL APPLICABLE CONTROLS WHEN DESIGN SILT STORAGE CAPACITY HAS BEEN REDUCED BY 50%.
- CONTRACTOR SHALL ENSURE THAT ALL LITTER, CONSTRUCTION DEBRIS, AND CONSTRUCTION CHEMICALS ARE PREVENTED FROM BECOMING POLLUTANT SOURCES.
- OFF-SITE MATERIAL STORAGE AREAS USED SOLELY FOR THIS PROJECT, INCLUDING DIRT STOCKPILES AND BORROW AREAS (AS APPLICABLE), MUST BE PREVENTED FROM BECOMING POLLUTANT SOURCES BY INSTALLATION OF BMP'S.
- CONTRACTOR SHALL ENSURE THAT EXISTING VEGETATION IS PRESERVED WHERE ATTAINABLE.
- DISTURBED PORTIONS OF SITE MUST BE STABILIZED. STABILIZATION PRACTICES MUST BE INITIATED WITHIN 14 DAYS IN PORTIONS OF THE SITE WHERE CONSTRUCTION HAS BEEN EITHER TEMPORARILY OR PERMANENTLY CEASED, UNLESS EXCEPTED WITHIN THE TPDES PERMIT.
- CONTRACTOR MUST MAINTAIN RECORDS OF DATES IN THE SWPPP OF WHEN MAJOR GRADING ACTIVITIES OCCUR. WHEN CONSTRUCTION ACTIVITIES EITHER TEMPORARILY OR PERMANENTLY CEASE ON A PORTION OF THE SITE, AND WHEN STABILIZATION MEASURES ARE INITIATED.
- CONTRACTOR SHALL ENSURE THAT SWPPP IS CONSISTENT WITH SEDIMENT AND EROSION SITE PLANS, STORM WATER PERMITS, AND STORM WATER MANAGEMENT PLANS APPROVED BY STATE, TRIBAL, OR LOCAL OFFICIALS. UPDATES TO SWPPP ARE REQUIRED UPON WRITTEN NOTICE TO PERMITTEE OF CHANGES APPLICABLE TO STORM WATER PERMITS, SEDIMENT AND EROSION CONTROL PLANS, OR STORM WATER MANAGEMENT PLANS BY SUCH OFFICIALS.
- ALL EROSION AND SEDIMENTATION CONTROL MEASURES AND ANY OTHER PROTECTIVE MEASURES IDENTIFIED IN THE SWPPP MUST BE MAINTAINED IN EFFECTIVE OPERATING CONDITION. WHEN INSPECTIONS IDENTIFY CONTROLS OPERATING INEFFECTIVELY, THE CONTROLS SHALL BE MAINTAINED PRIOR TO THE NEXT RAINFALL EVENT OR AS NECESSARY TO MAINTAIN EFFECTIVENESS OF THE CONTROL, OR AS SOON AS PRACTICABLE.
- CONTRACTOR SHALL INSPECT DISTURBED AREAS, MATERIAL STORAGE AREAS EXPOSED TO PRECIPITATION, STRUCTURAL CONTROL MEASURES, AND VEHICLE ENTRY AND EXIT AREAS AT LEAST ONCE EVERY 14 CALENDAR DAYS AND WITHIN 24 HOURS OF A STORM EVENT OF 0.5 INCHES OR GREATER.
- CONTRACTOR SHALL INSPECT STABILIZED AREAS AND AREAS WHERE RUNOFF IS UNLIKELY DUE TO FROZEN OR ARID WEATHER CONDITIONS AT LEAST ONCE PER MONTH.
- CONTRACTOR SHALL INSPECT ACCESSIBLE DISCHARGE LOCATIONS (OR NEARBY DOWNSTREAM LOCATIONS IF DISCHARGE POINT IS NOT ACCESSIBLE) IN ORDER TO ASCERTAIN WHETHER OR NOT EROSION CONTROL MEASURES ARE EFFECTIVE IN PREVENTING SIGNIFICANT IMPACTS TO RECEIVING WATERS.
- STRUCTURAL BMP'S SHOULD NOT, TO THE DEGREE ATTAINABLE, BE PLACED WITHIN FLOODPLAIN.
- BASED ON INSPECTION RESULTS, REVISIONS TO SWPPP MUST BE MADE WITHIN 7 CALENDAR DAYS OF THE INSPECTION. NEW OR MODIFIED CONTROL MEASURES MUST BE INSTALLED PRIOR TO THE NEXT RAINFALL EVENT, OR AS SOON AS PRACTICABLE.
- REPORTS SUMMARIZING THE SCOPE OF ALL INSPECTIONS, INCLUDING NAME AND QUALIFICATIONS OF INSPECTOR, DATE OF INSPECTION, AND MAJOR OBSERVATIONS RELATING TO THE IMPLEMENTATION OF THE SWPPP (INCLUDING LOCATION OF DISCHARGES OF SEDIMENT OR OTHER POLLUTANTS, LOCATION OF CONTROLS THAT NEED TO BE MAINTAINED, LOCATIONS WHERE CONTROLS ARE INADEQUATE OR ARE OPERATING IMPROPERLY, AND LOCATIONS WHERE ADDITIONAL CONTROLS ARE NEEDED) MUST BE SIGNED BY THE INSPECTOR PER 30 TEXAS ADMINISTRATIVE CODE (TAC) SECTION 306.128, AND RETAINED WITHIN THE SWPPP FOR AT LEAST 3 YEARS FROM THE DATE THE SITE IS FINALLY STABILIZED. REPORTS THAT DO NOT IDENTIFY INCIDENTS OF NON-COMPLIANCE SHALL CONTAIN A CERTIFICATION STATING THAT THE SITE IS IN COMPLIANCE WITH THE SWPPP AND THE GENERAL PERMIT. THE CONTRACTOR SHALL CERTIFY AS FOLLOWS:

"I CERTIFY UNDER PENALTY OF LAW THAT THIS DOCUMENT AND ALL ATTACHMENTS WERE PREPARED UNDER MY DIRECTION OR SUPERVISION IN ACCORDANCE WITH A SYSTEM DESIGNED TO ASSURE THAT QUALIFIED PERSONNEL PROPERLY GATHERED AND EVALUATED THE INFORMATION SUBMITTED, BASED ON MY INQUIRY OF THE PERSON OR PERSONS WHO MANAGE THE SYSTEM, OR THOSE PERSONS DIRECTLY RESPONSIBLE FOR GATHERING THE INFORMATION, THE INFORMATION SUBMITTED IS, TO THE BEST OF MY KNOWLEDGE AND BELIEF, TRUE, ACCURATE, AND COMPLETE. I AM AWARE THAT THERE ARE SIGNIFICANT PENALTIES FOR SUBMITTING FALSE INFORMATION, INCLUDING THE POSSIBILITY OF FINE AND IMPRISONMENT FOR KNOWING VIOLATIONS."

- CONTRACTOR SHALL IDENTIFY ALL SOURCES OF ALLOWABLE NON-STORM WATER THAT WILL BE COMBINED WITH STORM WATER AT THE SITE (EXCEPT FIRE-FIGHTING ACTIVITIES) AND ENSURE IMPLEMENTATION OF APPROPRIATE POLLUTION PREVENTION MEASURES FOR NON-STORM WATER COMPONENT(S) OF DISCHARGE.
- CONTRACTOR SHALL ENSURE THAT THE INDIVIDUAL SIGNING THE SWPPP MAKES THE CERTIFICATION UNDER PART VI.G.2.4 OF THE GENERAL PERMIT. THIS CERTIFICATION MUST APPEAR WITHIN THE SWPPP.
- "I CERTIFY UNDER PENALTY OF LAW THAT THIS DOCUMENT AND ALL ATTACHMENTS WERE PREPARED UNDER MY DIRECTION OR SUPERVISION IN ACCORDANCE WITH A SYSTEM DESIGNED TO ASSURE THAT QUALIFIED PERSONNEL PROPERLY GATHERED AND EVALUATED THE INFORMATION SUBMITTED, BASED ON MY INQUIRY OF THE PERSON OR PERSONS WHO MANAGE THE SYSTEM, OR THOSE PERSONS DIRECTLY RESPONSIBLE FOR GATHERING THE INFORMATION, THE INFORMATION SUBMITTED IS, TO THE BEST OF MY KNOWLEDGE AND BELIEF, TRUE, ACCURATE, AND COMPLETE. I AM AWARE THAT THERE ARE SIGNIFICANT PENALTIES FOR SUBMITTING FALSE INFORMATION, INCLUDING THE POSSIBILITY OF FINE AND IMPRISONMENT FOR KNOWING VIOLATIONS."

**VEGETATIVE STABILIZATION REQUIREMENTS**

**TEMPORARY SEEDING**

ALL DISTURBED AREAS WHICH WILL BE LEFT DORMANT FOR GREATER THAN 14 DAYS SHALL BE SEEDED WITH FAST-GERMINATING TEMPORARY VEGETATION IMMEDIATELY FOLLOWING GRADING OPERATIONS. SELECTION OF THE SEED WILL DEPEND ON THE TIME OF YEAR IT IS APPLIED (SEE DESCRIPTIONS IN TABLE 2). REFERENCE LANDSCAPE PLAN FOR PERMANENT STABILIZATION REQUIREMENTS.

TABLE 2 VEGETATION TABLE		
SPECIES	PLANTING RATE	PLANTING DATES
CRIMSON CLOVER	7#/ACRE	8/15 - 11/20
MILLET, FORTKAL	30#/ACRE	8/1 - 9/31
RYEGRASS, ANNUAL	30#/ACRE	8/15 - 9/30
SPRANGLETOP, GREEN	2.5#/ACRE	2/1 - 5/1
TALL FESCUE	7#-10#/1000 SF	9/1 - 10/15

\*USE ONLY USDA CERTIFIED SEED.

**SURFACE PREPARATION FOR TEMPORARY SEEDING**

- INSTALL EROSION STRUCTURES SUCH AS DIKES, DIVERSIONS, ETC. PRIOR TO SEEDING.
- FURROW SLOPES STEEPER THAN 3:1 ON THE CONTOUR LINE BEFORE SEEDING.
- ENSURE SEED BED IS PULVERIZED, LOOSE, AND UNIFORM.

**APPLICATION**

- WHEN HYDROMULCHING IS USED, DO NOT MIX SEED AND FERTILIZER MORE THAN 30 MINUTES PRIOR TO APPLICATION.
- APPLY SEED EVENLY USING PROPER EQUIPMENT AND WATER TO AID VEGETATION GROWTH.
- EROSION CONTROL NETTING SHALL BE INSTALLED OVER FILL SLOPES WHICH HAVE BEEN BROUGHT TO FINAL GRADE AND HAVE BEEN SEED TO PROTECT AGAINST EROSION. MULCH (STRAW OR FIBER) SHALL BE USED ON RELATIVELY FLAT SLOPES.

**CONTRACTOR ITEMS (SIGNATURE BLOCKS, ETC.)**

1. CONTRACTOR MUST DESCRIBE BELOW ALL WASTE DISPOSAL PRACTICES AND ENSURE THAT NO SOLID MATERIALS INCLUDING BUILDING MATERIALS ARE DISCHARGED INTO WATERS OF THE UNITED STATES UNLESS AUTHORIZED BY PERMIT ISSUED UNDER CWA SECTION 402 AND 404.

WASTE DISPOSAL PRACTICES:

2. ALL CONTRACTORS AND SUBCONTRACTORS PROVIDING SERVICES RELATING TO THE SWPPP AND THE OWNER MUST SIGN A CERTIFICATION STATEMENT ACKNOWLEDGING THEIR RESPONSIBILITIES AS SPECIFIED IN THE SWPPP. CONTRACTOR, SUBCONTRACTOR, AND OWNER SHALL SIGN THE BELOW CERTIFICATE OR SHALL PREPARE SEPARATE CERTIFICATE OR STATEMENTS INCLUDING THE BELOW CERTIFICATION LANGUAGE.

CONTRACTOR SHALL ENSURE THE SWPPP IS SIGNED BY A RESPONSIBLE CORPORATE OFFICER (FOR A CORPORATION), GENERAL PARTNER OR PROPRIETOR (FOR PARTNERSHIP OR SOLE PROPRIETORSHIP), PRINCIPAL EXECUTIVE OFFICER OR RANKING ELECTED OFFICIAL (FOR MUNICIPALITY), OR BY A DULY AUTHORIZED REPRESENTATIVE OF THE ABOVE (EITHER A NAMED INDIVIDUAL OR ANY INDIVIDUAL OCCUPYING A NAMED POSITION). SIGNING INDIVIDUAL MUST INCLUDE THEIR TITLE AND QUALIFICATIONS ON THE SWPPP SIGNATURE BLOCK. THE SIGNED SWPPP MUST BE POSTED ON THE SITE PRIOR TO COMMENCING CONSTRUCTION.

"I CERTIFY THAT NO SOLID MATERIALS, INCLUDING BUILDING MATERIALS, ARE DISCHARGED INTO WATERS OF THE UNITED STATES."

"I CERTIFY UNDER PENALTY OF LAW THAT THIS DOCUMENT AND ALL ATTACHMENTS WERE PREPARED UNDER MY DIRECTION OR SUPERVISION IN ACCORDANCE WITH A SYSTEM DESIGNED TO ASSURE THAT QUALIFIED PERSONNEL PROPERLY GATHERED AND EVALUATED THE INFORMATION SUBMITTED, BASED ON MY INQUIRY OF THE PERSON OR PERSONS WHO MANAGE THE SYSTEM, OR THOSE PERSONS DIRECTLY RESPONSIBLE FOR GATHERING THE INFORMATION, THE INFORMATION SUBMITTED IS, TO THE BEST OF MY KNOWLEDGE AND BELIEF, TRUE, ACCURATE, AND COMPLETE. I AM AWARE THAT THERE ARE SIGNIFICANT PENALTIES FOR SUBMITTING FALSE INFORMATION, INCLUDING THE POSSIBILITY OF FINE AND IMPRISONMENT FOR KNOWING VIOLATIONS."

3. STABILIZED CONSTRUCTION ENTRANCE(S) ARE INTENDED TO MINIMIZE OFF-SITE SEDIMENT TRACKING. CONTRACTOR TO INDICATE MEASURES TO MINIMIZE DUST GENERATION BELOW:

4. CONTRACTOR MUST DESCRIBE CONSTRUCTION AND WASTE MATERIALS EXPECTED TO BE STORED ON-SITE AND MUST DISCUSS ALL CONTROLS IMPLEMENTED TO REDUCE POLLUTANTS FROM THESE MATERIALS, INCLUDING STORAGE PRACTICES AND SPILL PREVENTION AND RESPONSE MEASURES.

CURRENT LISTING OF CONSTRUCTION AND WASTE MATERIALS, AND CONTROLS IMPLEMENTED TO REDUCE POLLUTANTS (UPDATE AS NECESSARY):

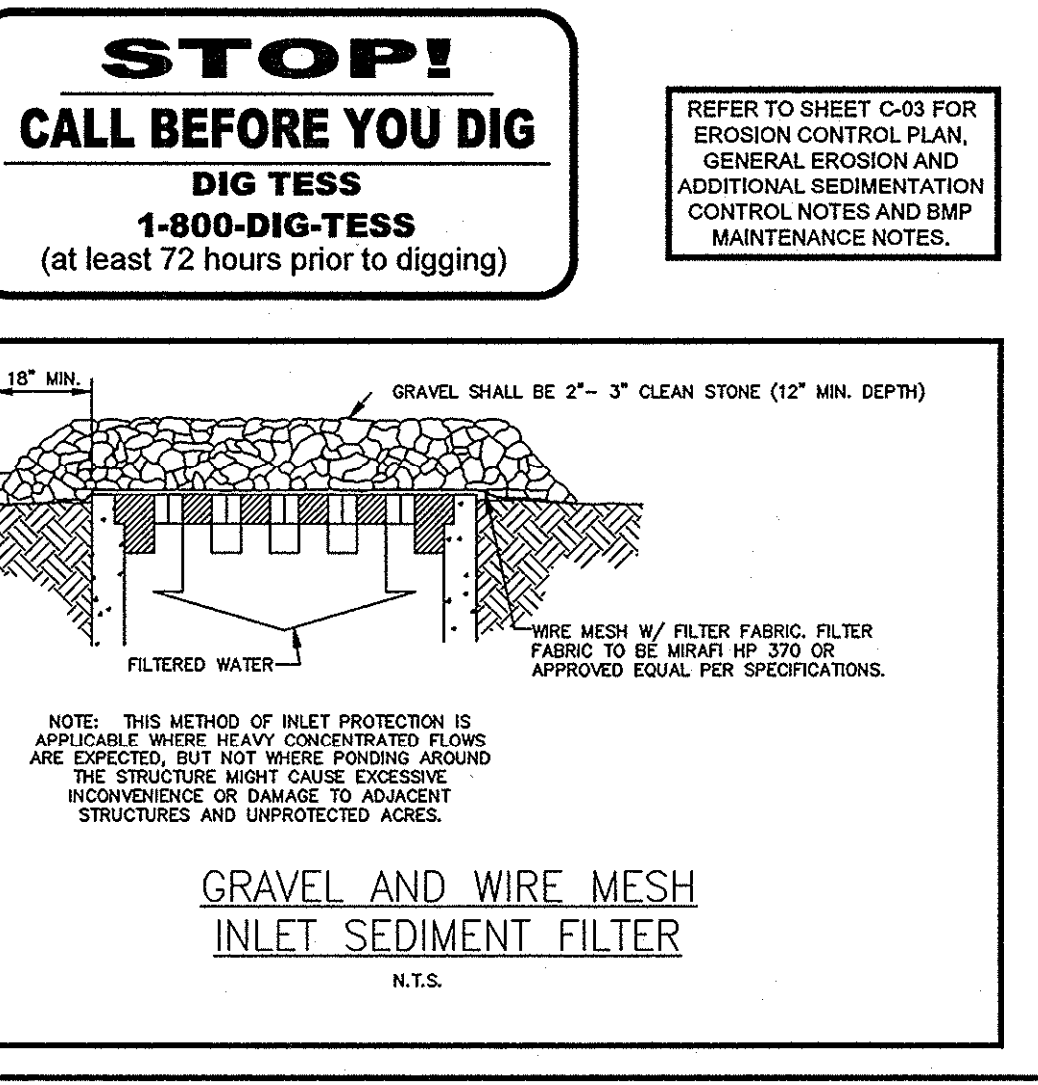
5. CONTRACTOR MUST DESCRIBE CONTROLS AND MEASURES TO MINIMIZE POLLUTANT DISCHARGES FROM AREAS OTHER THAN CONSTRUCTION, INCLUDING DEDICATED ASPHALT AND CONCRETE PLANTS, STORM WATER DISCHARGE ASSOCIATED WITH INDUSTRIAL ACTIVITIES, OTHER THAN CONSTRUCTION ACTIVITIES, ARE NOT ANTICIPATED ON THIS SITE.

LISTING OF CONTROLS AND MEASURES FROM AREAS OTHER THAN CONSTRUCTION:

"I CERTIFY UNDER PENALTY OF LAW THAT THIS DOCUMENT AND ALL ATTACHMENTS WERE PREPARED UNDER MY DIRECTION OR SUPERVISION IN ACCORDANCE WITH A SYSTEM DESIGNED TO ASSURE THAT QUALIFIED PERSONNEL PROPERLY GATHERED AND EVALUATED THE INFORMATION SUBMITTED, BASED ON MY INQUIRY OF THE PERSON OR PERSONS WHO MANAGE THE SYSTEM, OR THOSE PERSONS DIRECTLY RESPONSIBLE FOR GATHERING THE INFORMATION, THE INFORMATION SUBMITTED IS, TO THE BEST OF MY KNOWLEDGE AND BELIEF, TRUE, ACCURATE, AND COMPLETE. I AM AWARE THAT THERE ARE SIGNIFICANT PENALTIES FOR SUBMITTING FALSE INFORMATION, INCLUDING THE POSSIBILITY OF FINE AND IMPRISONMENT FOR KNOWING VIOLATIONS."

6. CONTRACTOR SHALL DESCRIBE AND RECORD AND DOCUMENT BELOW OR IN A SEPARATE LOG, OR ON THE SITE MAP, THE GENERAL SEQUENCE OF THE SOIL DISTURBING ACTIVITIES ON THE SITE AND THE DATES WHEN STABILIZATION MEASURES ARE INITIATED. THE SEPARATE LOG IS INCLUDED AS PART OF THE SWPPP. SEPARATE DOCUMENTATION, IF USED, SHALL INCLUDE THE BELOW CERTIFICATION LANGUAGE.

"I CERTIFY UNDER PENALTY OF LAW THAT THIS DOCUMENT AND ALL ATTACHMENTS WERE PREPARED UNDER MY DIRECTION OR SUPERVISION IN ACCORDANCE WITH A SYSTEM DESIGNED TO ASSURE THAT QUALIFIED PERSONNEL PROPERLY GATHERED AND EVALUATED THE INFORMATION SUBMITTED, BASED ON MY INQUIRY OF THE PERSON OR PERSONS WHO MANAGE THE SYSTEM, OR THOSE PERSONS DIRECTLY RESPONSIBLE FOR GATHERING THE INFORMATION, THE INFORMATION SUBMITTED IS, TO THE BEST OF MY KNOWLEDGE AND BELIEF, TRUE, ACCURATE, AND COMPLETE. I AM AWARE THAT THERE ARE SIGNIFICANT PENALTIES FOR SUBMITTING FALSE INFORMATION, INCLUDING THE POSSIBILITY OF FINE AND IMPRISONMENT FOR KNOWING VIOLATIONS."



**Kimley-Horn and Associates, Inc.**  
 State of Texas Registration No. F-928  
 5750 GENESIS COURT, SUITE 200, FRISCO, TX 75034  
 PHONE: 972-335-3580 FAX: 972-335-3779  
 WWW.KIMLEY-HORN.COM

**VILLAGE ON THE PARKWAY PHASE II ADDISON, TEXAS**

**EROSION CONTROL DETAILS**

SHEET NUMBER: C-04

NO.	REVISIONS	DATE	BY