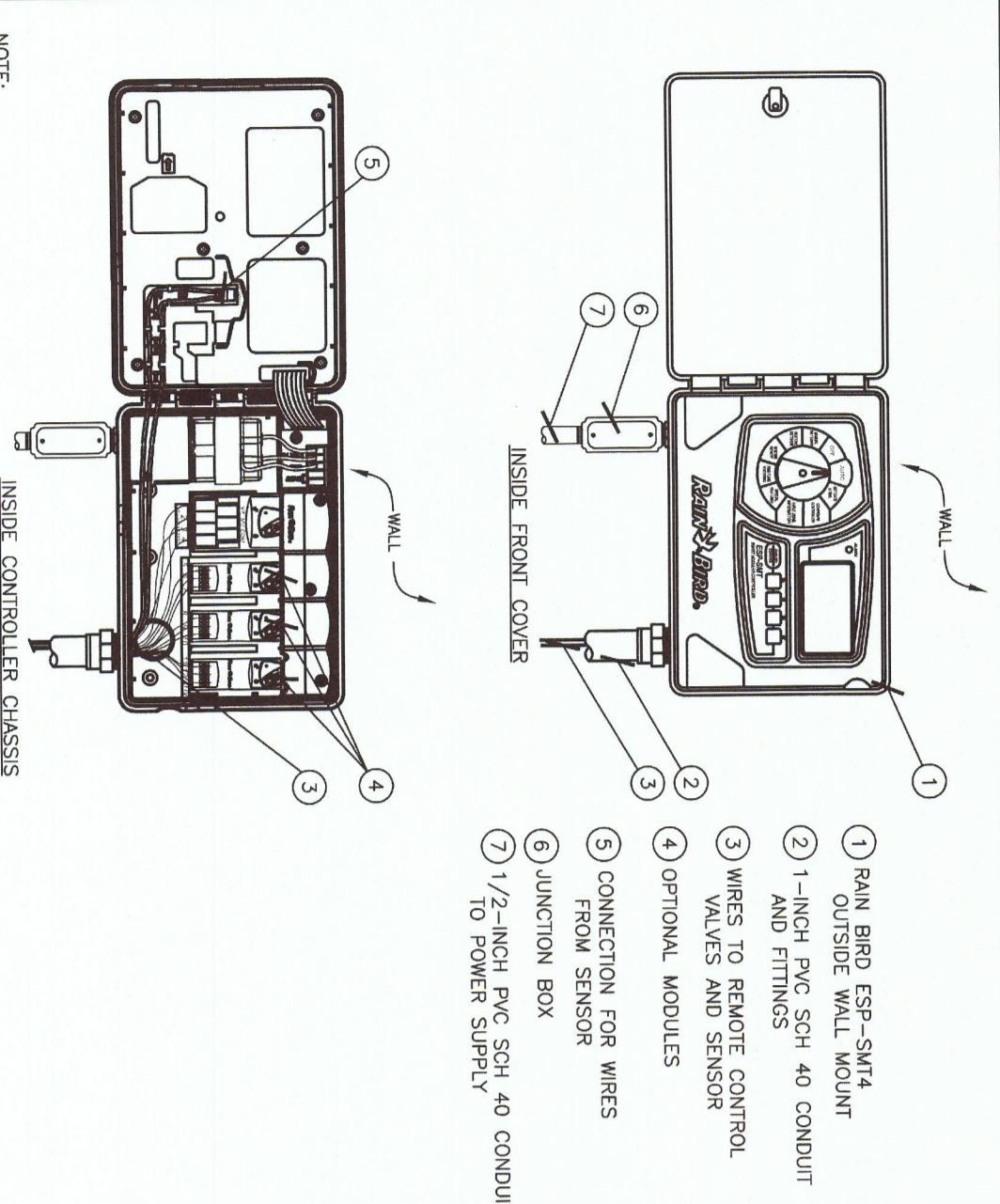


PLANTING SPECIFICATIONS

WEED CONTROL, KILL AND REMOVE ALL EXISTING WEEDS FROM THE SITE AREA... UNLESS OTHERWISE SPECIFIED, ALL PLANTING MATERIALS SHALL BE...

BACKGROUND MIX - TREES, SHRUBS AND VINES SHALL BE PLANTED OR SEEDS... GEOTECHNICAL REPORT FOR ALL LANDSCAPE AREAS...

SOIL TESTS SHALL BE PERFORMED AFTER SOIL PREPARATION... CONTRACTORS SHALL BE RESPONSIBLE FOR OBTAINING SOIL TESTS...

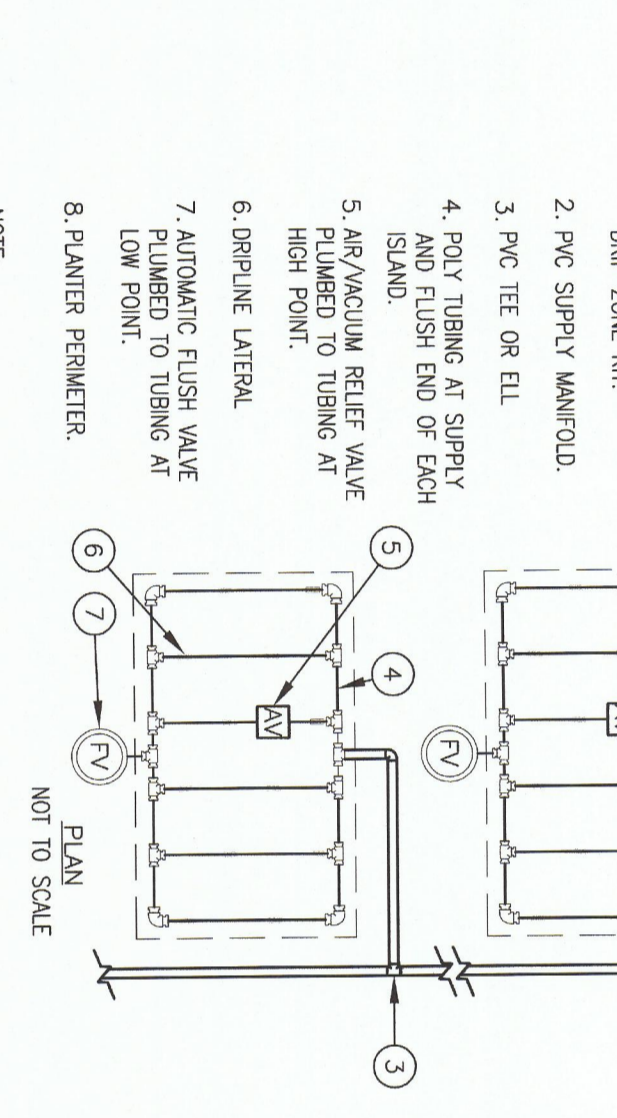


- 1 RAIN BIRD TEST-SET KIT
2 1-1/2" PVC SCH 40 CONDUIT AND FITTINGS
3 WIRES TO REMOTE CONTROL VALVES AND SENSOR

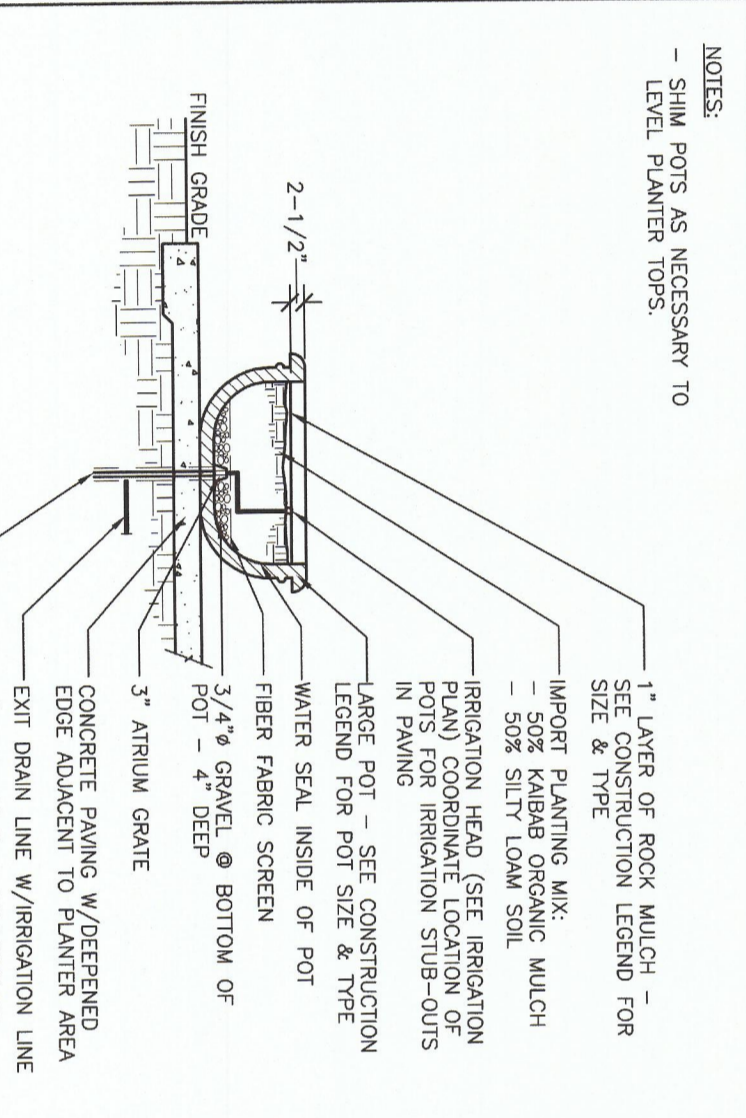
K CONTROLLER

IRRIGATION SPECIFICATIONS

INSTALL ALL MATERIALS TO COMPLY WITH LOCAL CODES AND ORDINANCES... THE CONTRACTOR SHALL BE RESPONSIBLE FOR OBTAINING ALL NECESSARY PERMITS...

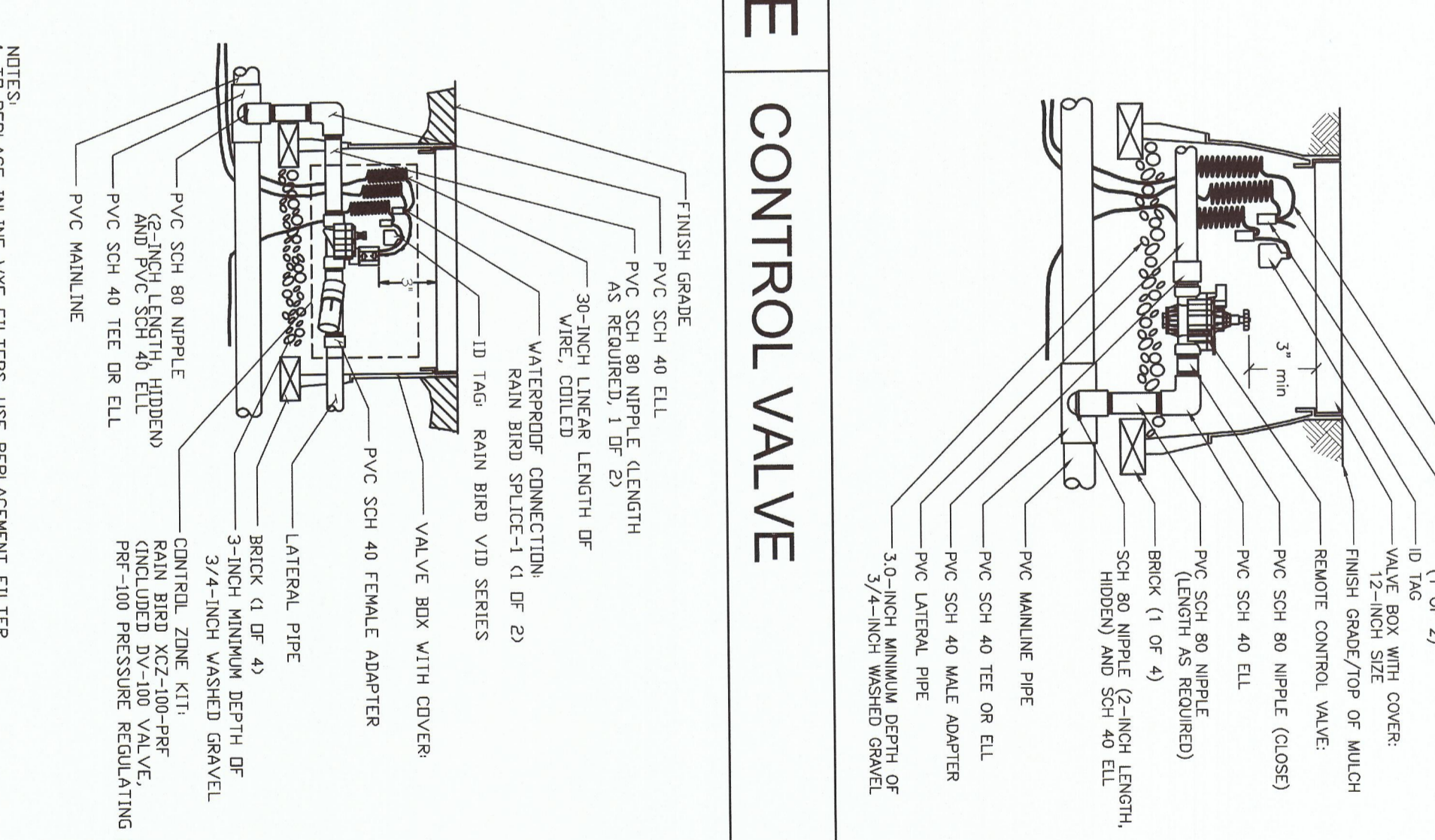


- LEGEND
1. DRIP LAYOUT
2. PVC SUPPLY MAINFOLD
3. PVC TEE OR ELB



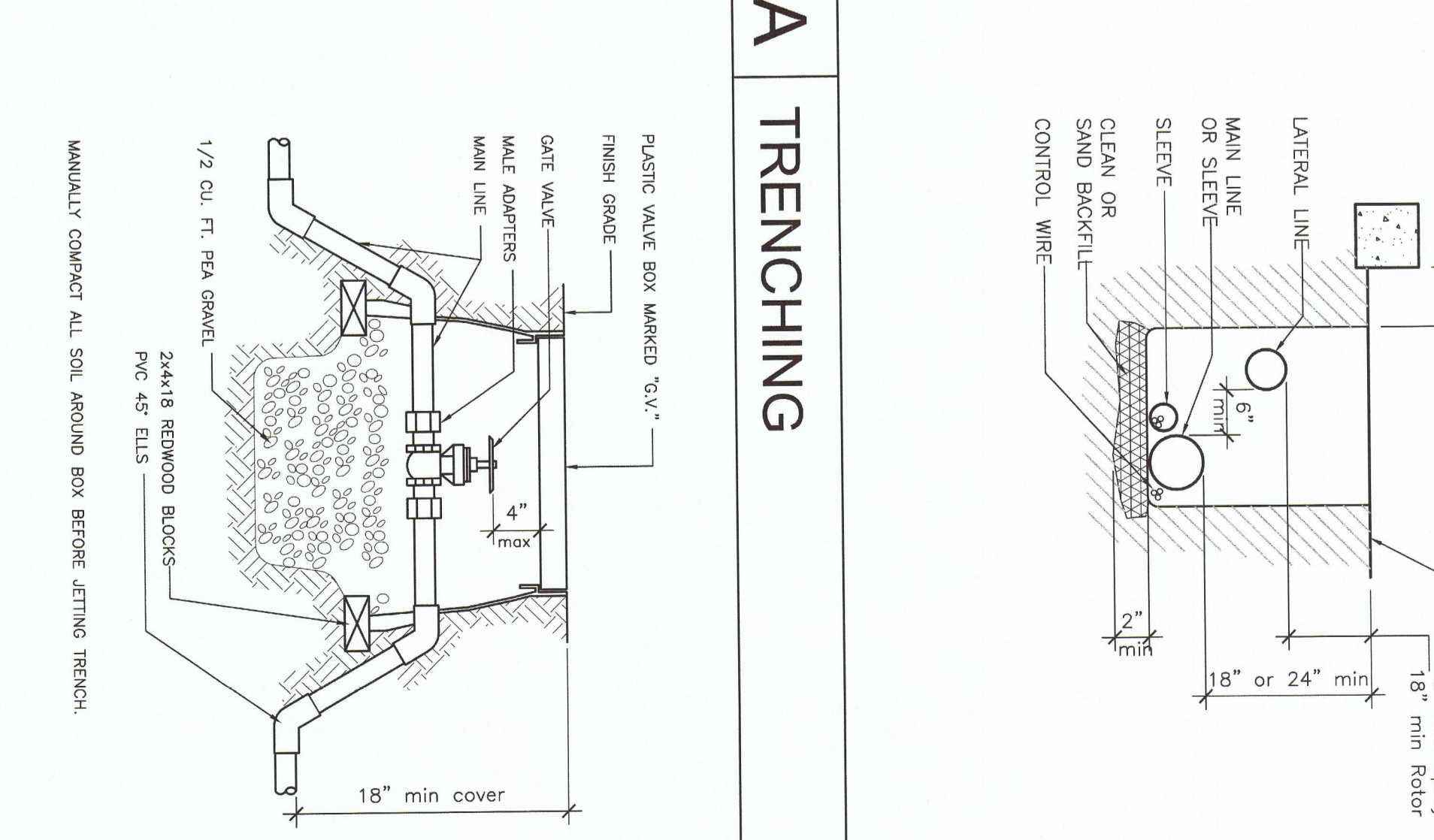
J IRRIGATION TO POTS

CONTROL VALVE



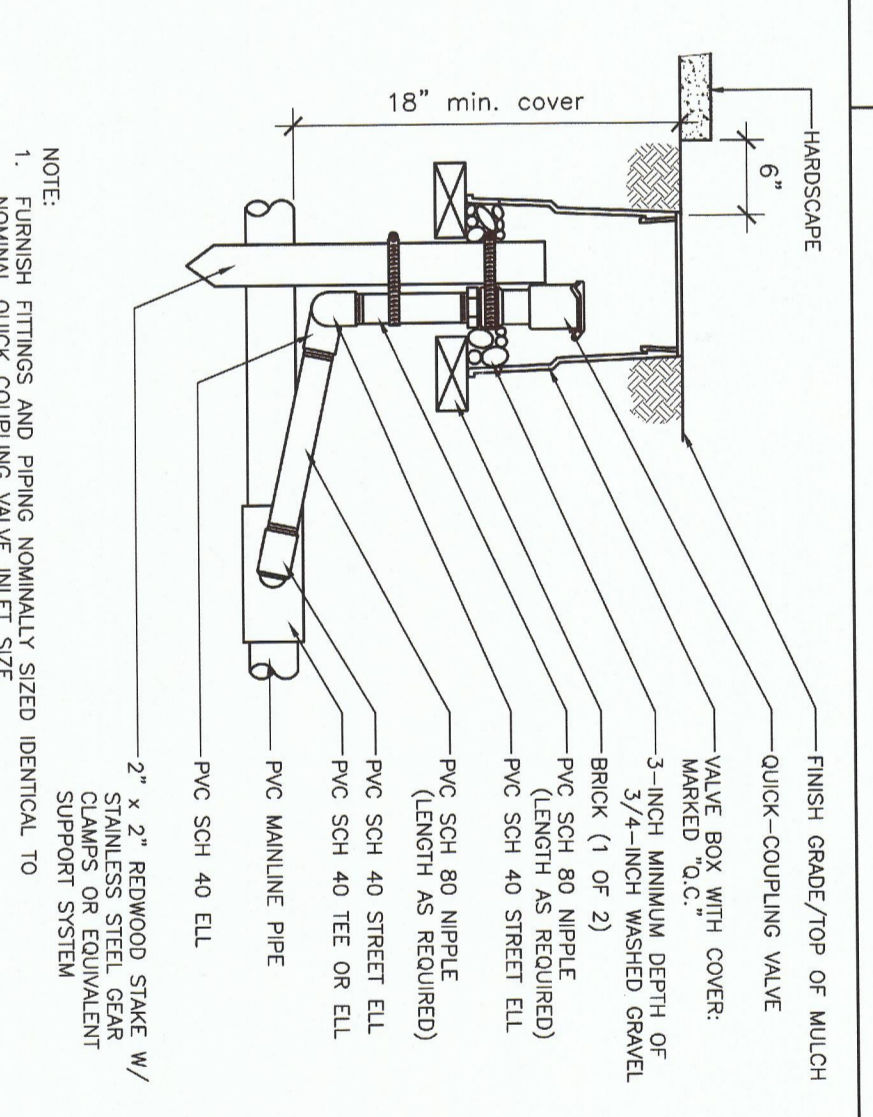
E CONTROL VALVE

TRENCHING

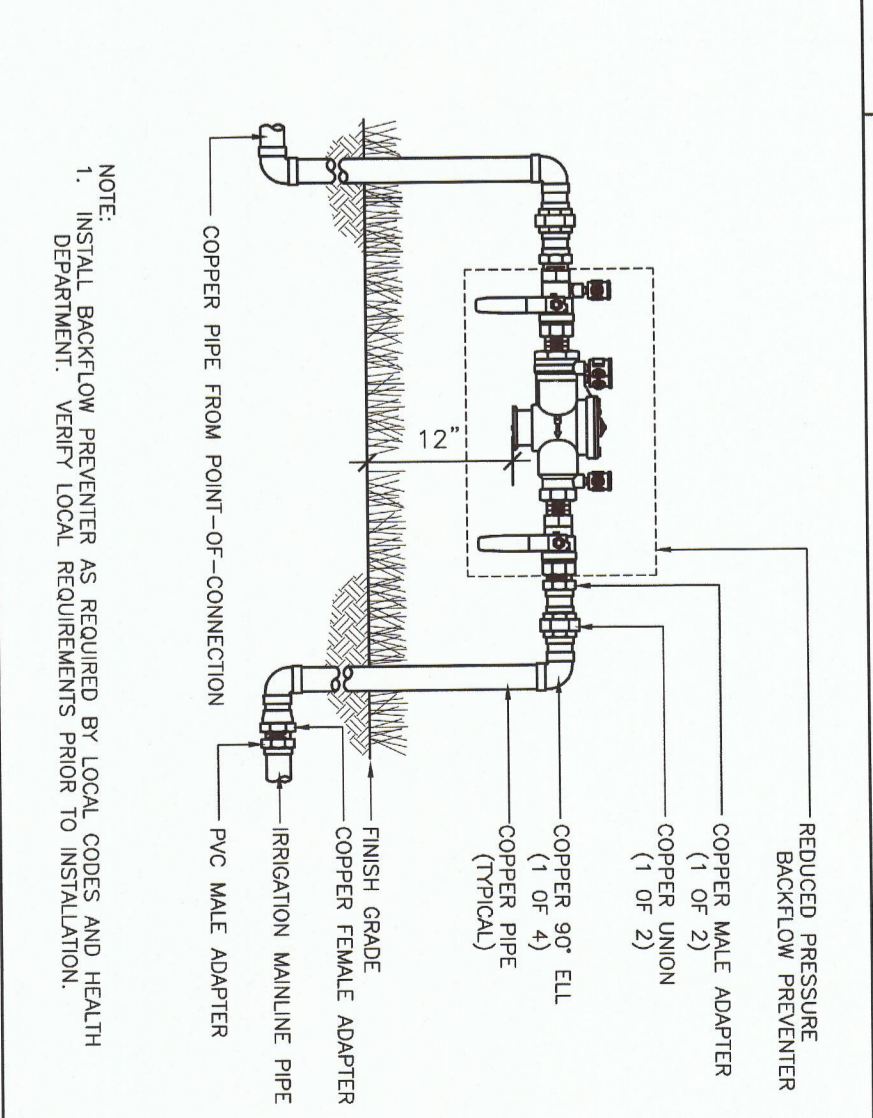


A TRENCHING

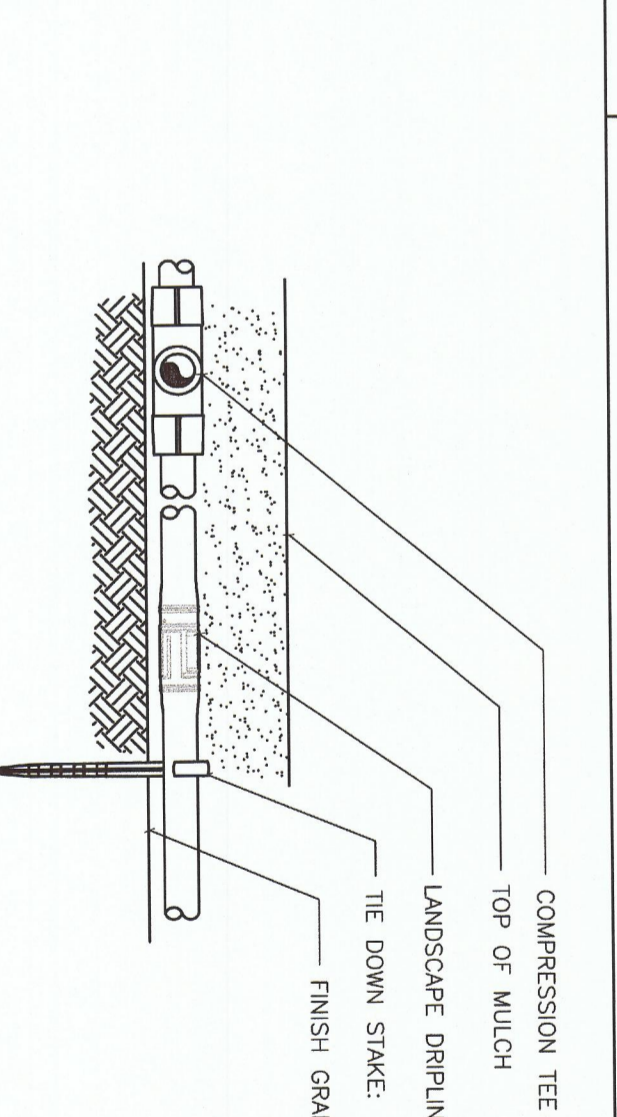
F DRIP VALVE KIT



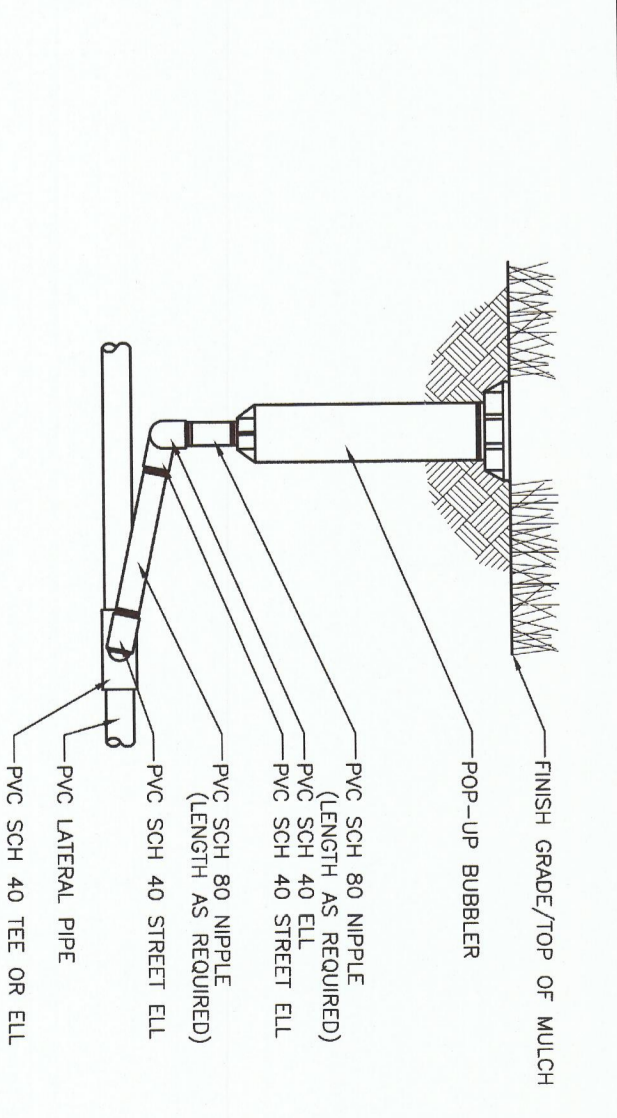
B GATE VALVE



G QUICK COUPLER



C BACKFLOW PREVENTER



H DRIPLINE

D POP-UP BUBBLER

