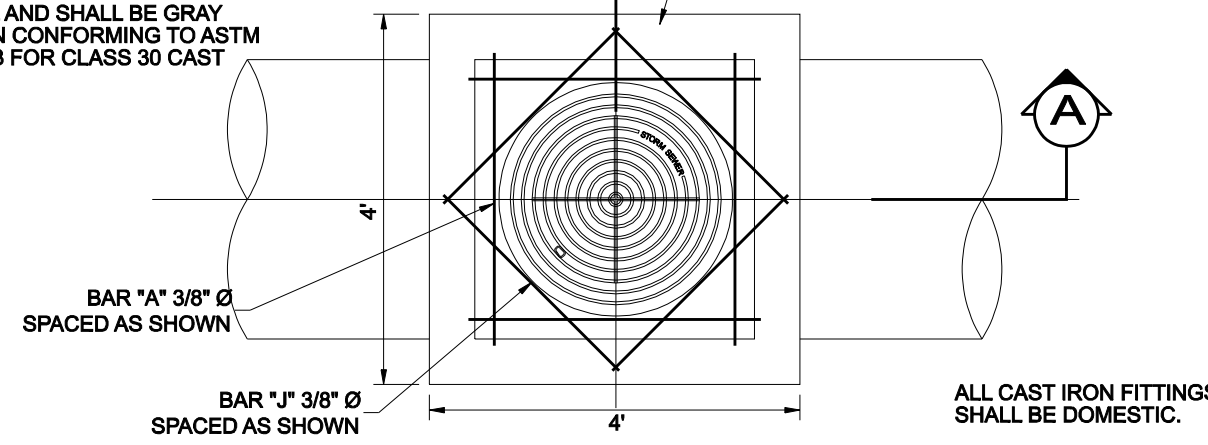
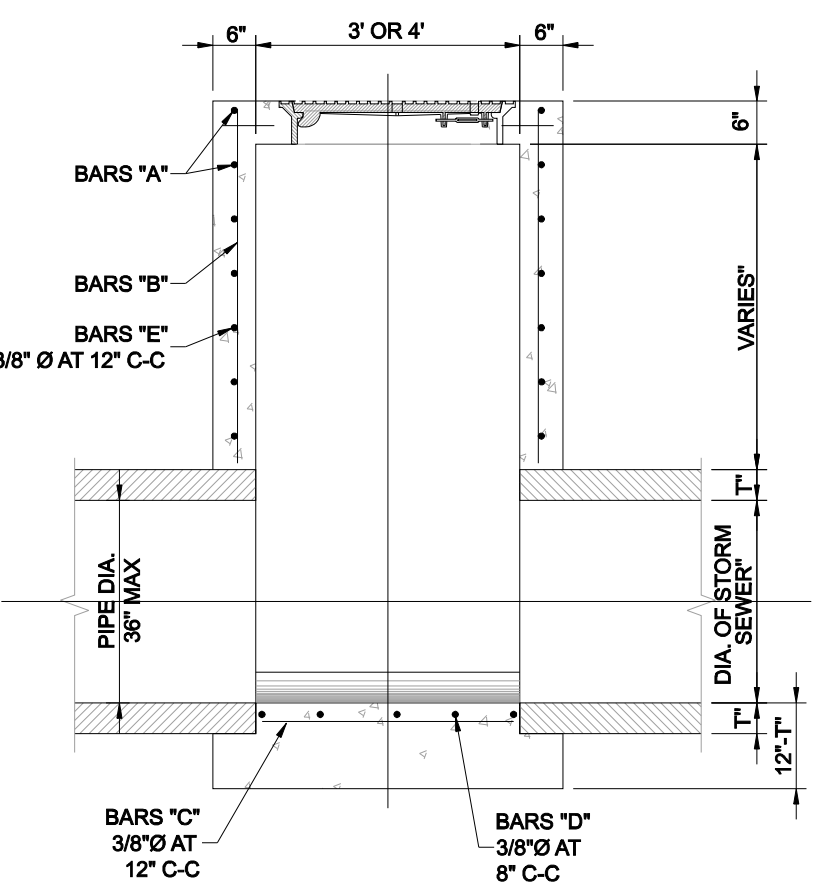


NOTE:
 FRAME AND COVER SHALL BE
 BASS & HAYES PATTERN NO. 380-24
 OR EQUAL AND SHALL BE GRAY
 CAST IRON CONFORMING TO ASTM
 SPEC. A-48 FOR CLASS 30 CAST
 IRON.

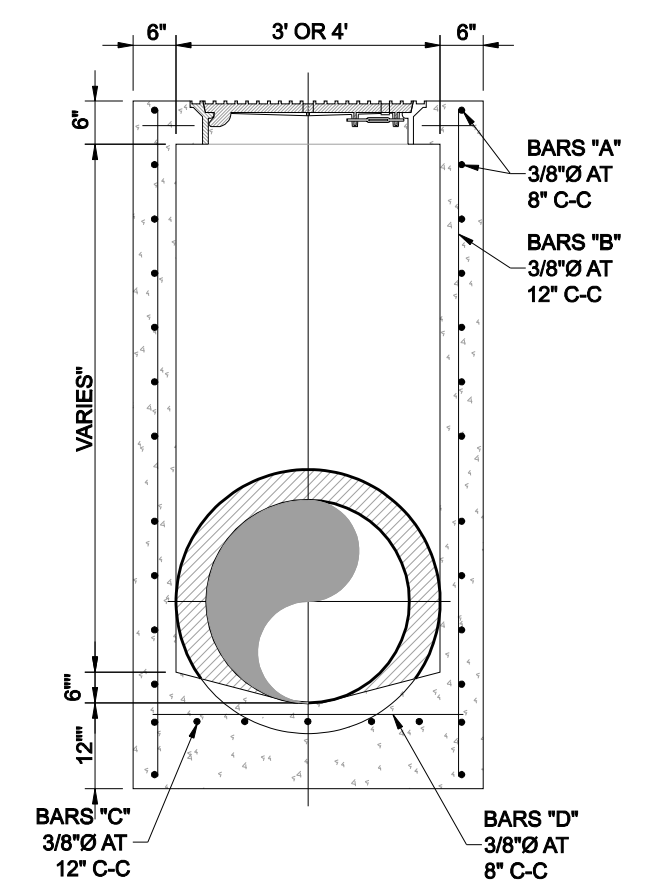
PROVIDE 3/4" PREMOLDED EXPANSION
 JOINT BETWEEN MANHOLE AND CONCRETE
 PAVEMENT AND SEALED WITH HOT POURED
 RUBBER.



PLAN
 N.T.S.

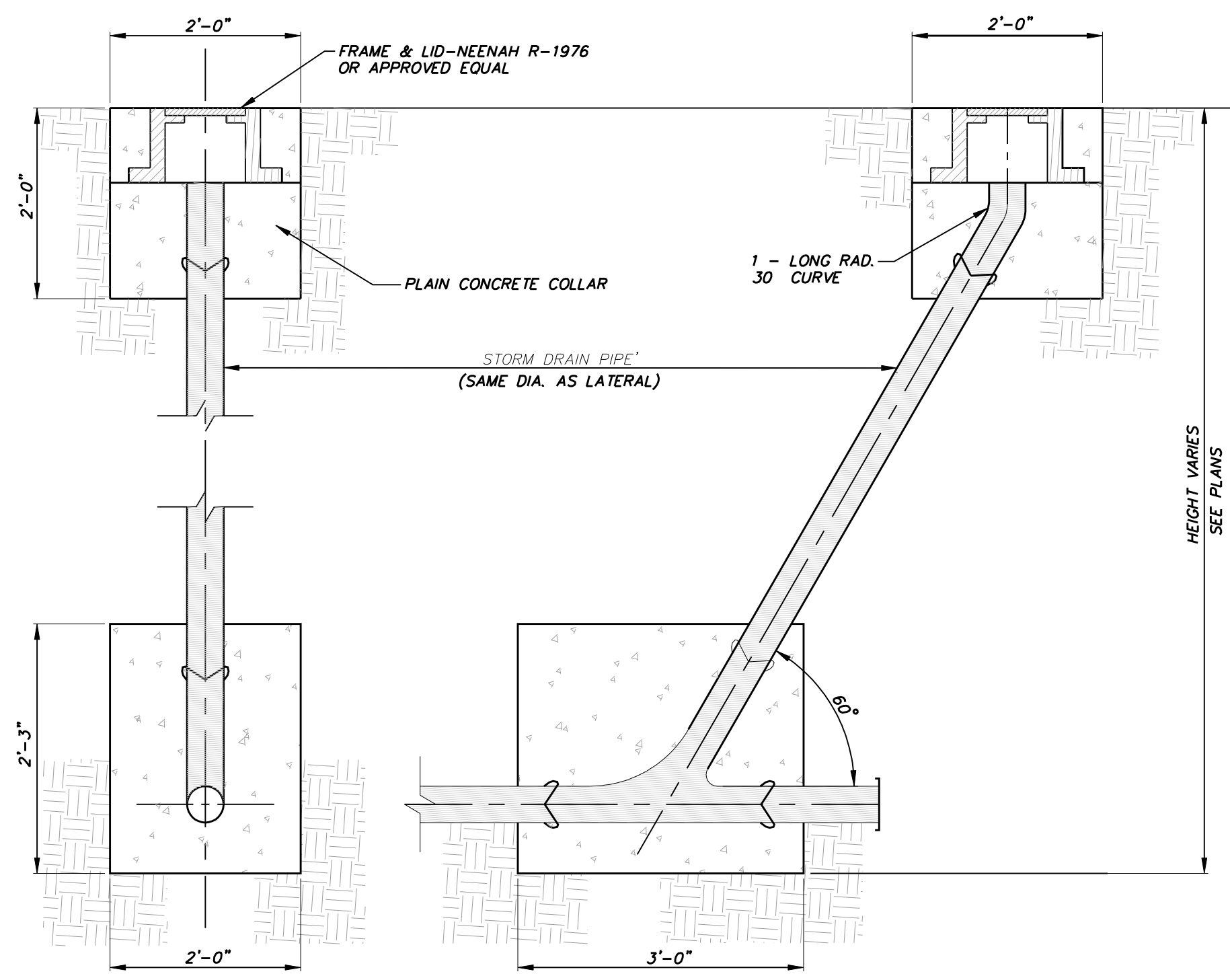


SECTION A
 N.T.S.

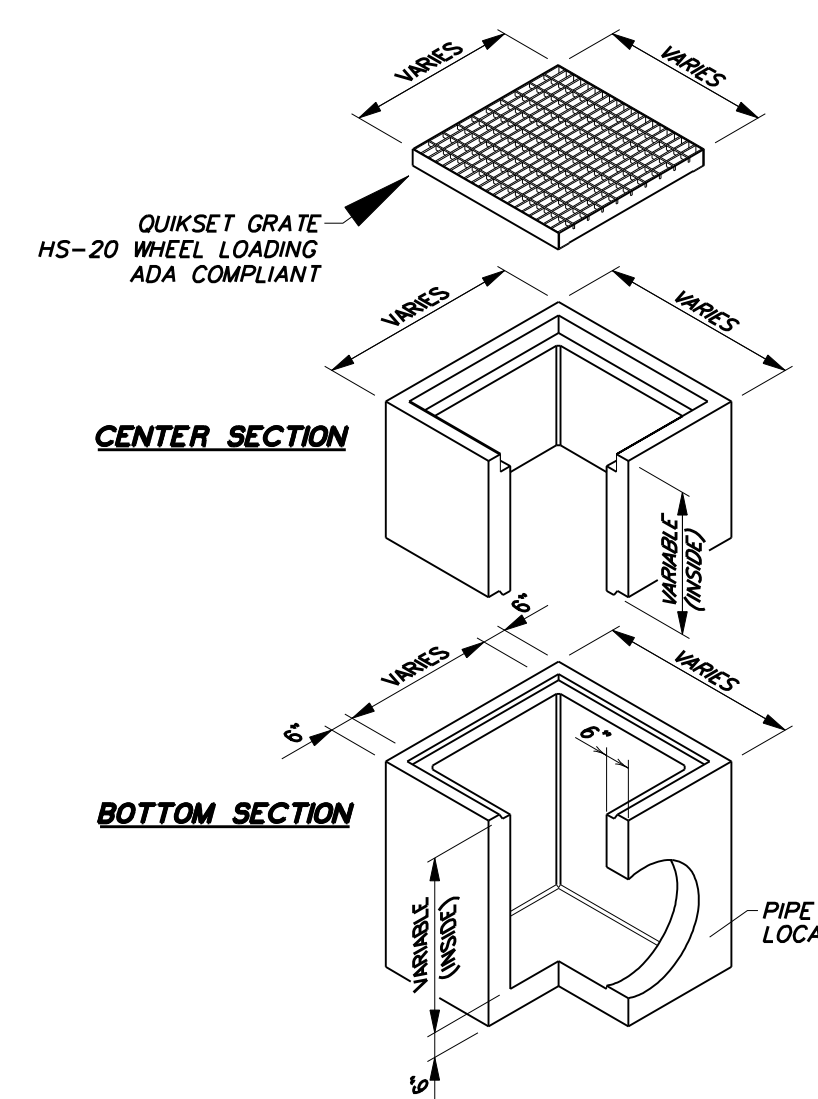


SECTION B
 N.T.S.

STD SQ STORM DRAIN MANHOLE
 N.T.S.



STORM DRAIN CLEANOUT
 NOT TO SCALE

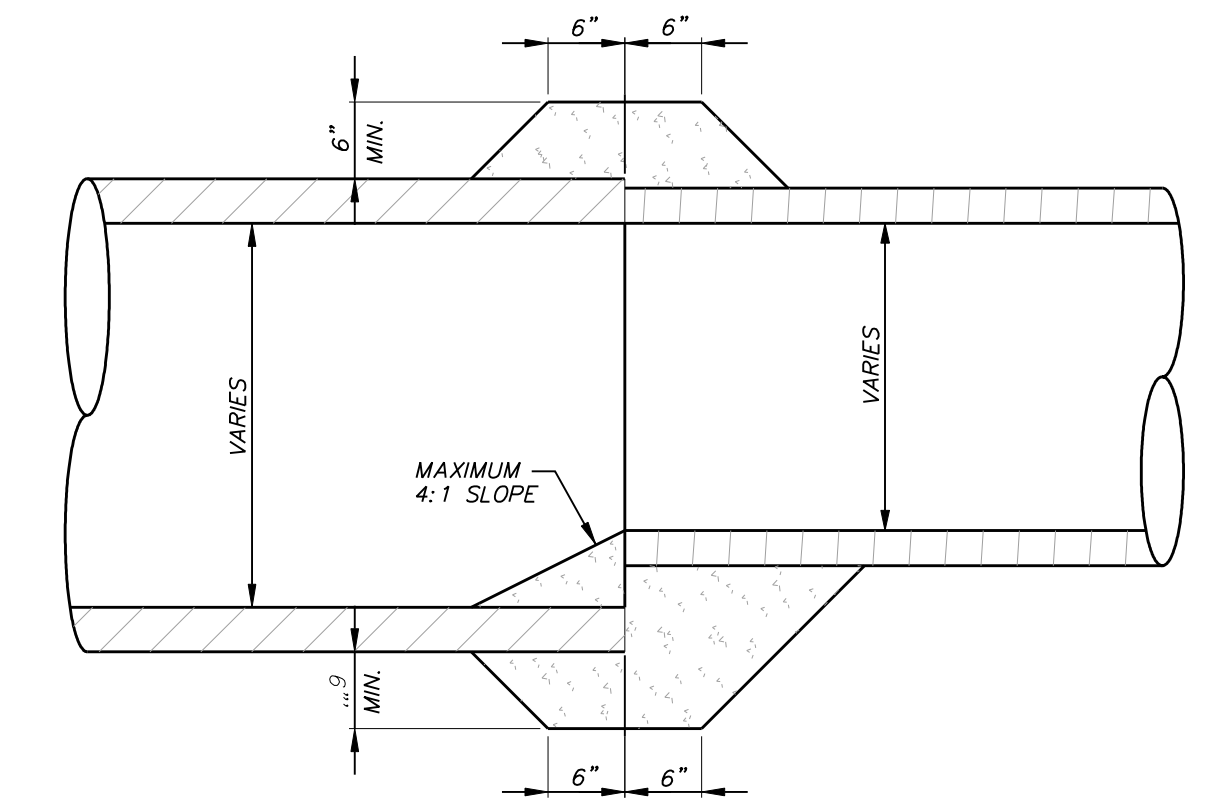


CENTER SECTION

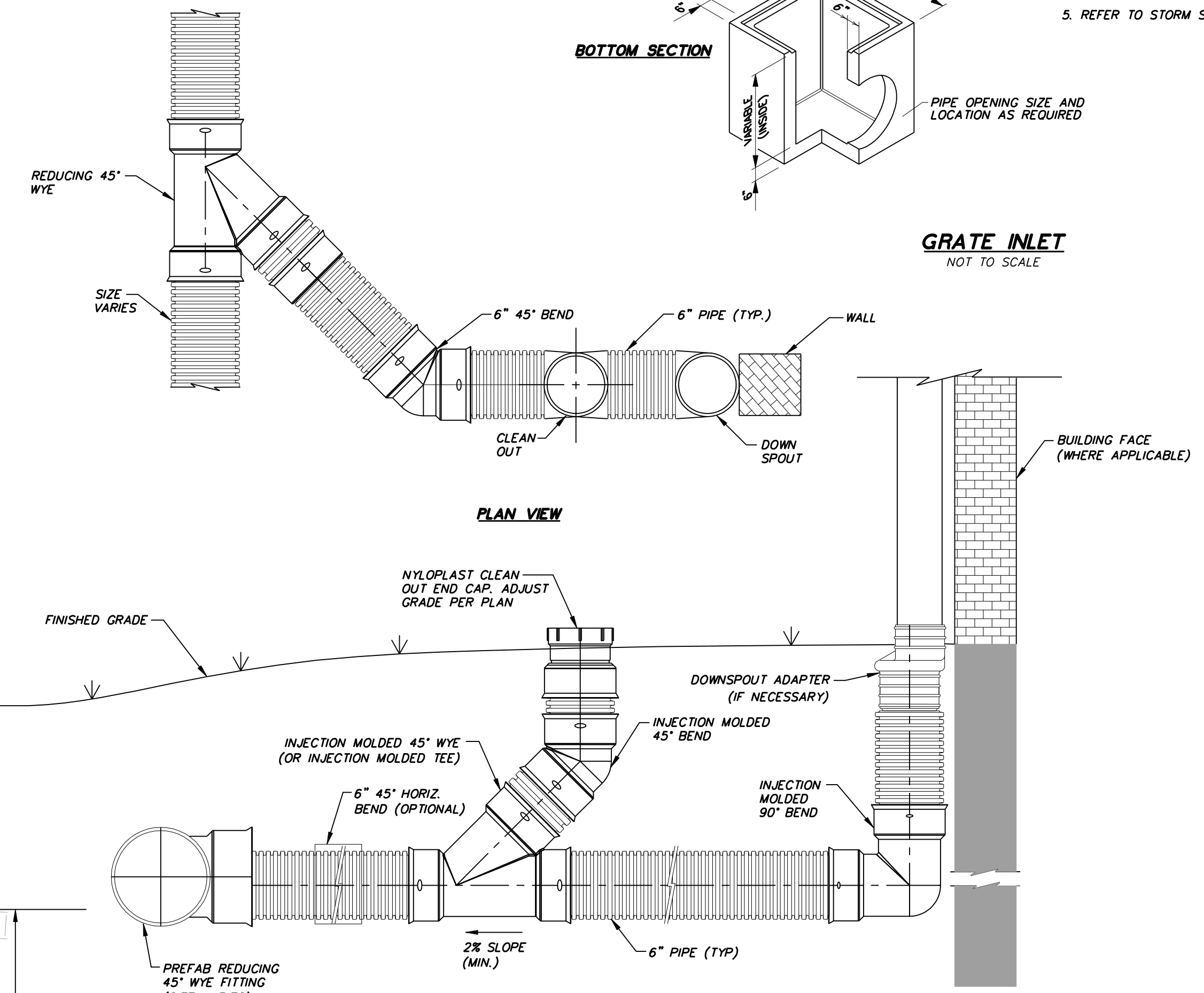
BOTTOM SECTION

NOTES:

1. ALL CONCRETE SHALL HAVE A 28 DAY COMPRESSIVE STRENGTH OF 4500 PSI.
2. REINFORCING STEEL SHALL COMPLY WITH ASTM A615 GRADE 60, A706 GRADE 60 OR A497 GRADE 70. BAR BENDING AND PLACEMENT SHALL COMPLY WITH THE LATEST ACI STANDARDS.
3. STANDARD STRUCTURAL DESIGN IS BASED ON AASHTO HS-20 WHEEL LOADING.
4. THE STRUCTURE SHALL BE PLACED ON A COMPACTED GRANULAR BASE TO INSURE UNIFORM DISTRIBUTION OF SOIL PRESSURES.
5. REFER TO STORM SEWER PLAN FOR SIZES REQUIRED.



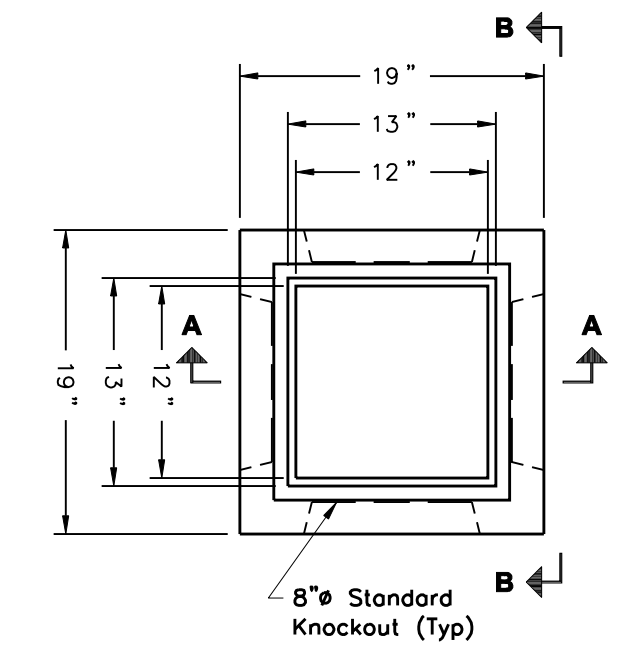
CONCRETE COLLAR
 NOT TO SCALE



PLAN VIEW

ROOF DRAIN WITH CLEANOUT
 NOT TO SCALE

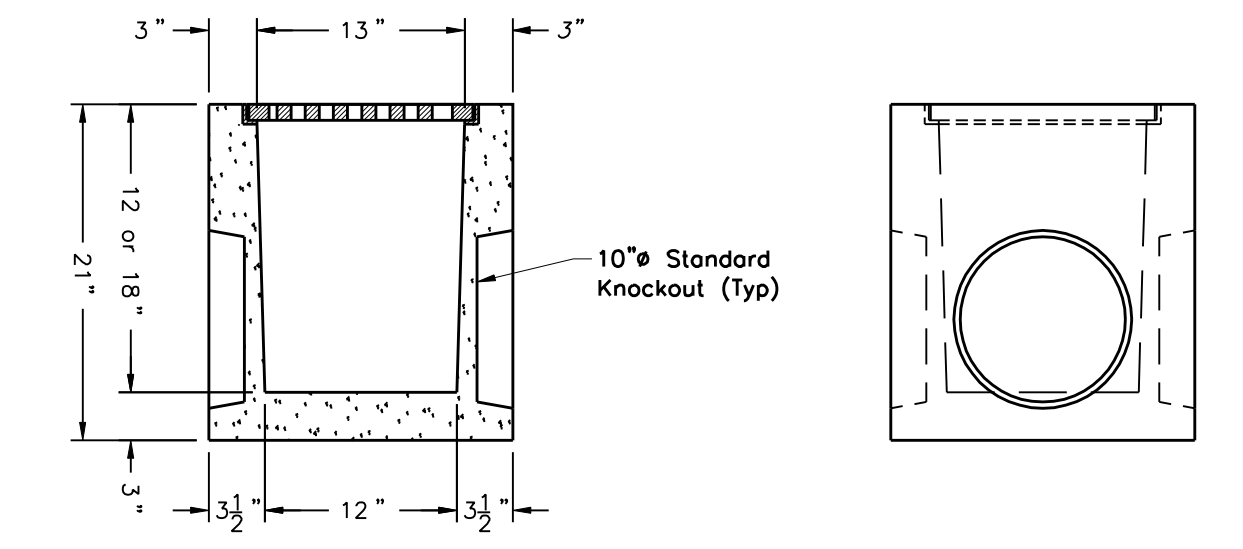
GRATE INLET
 NOT TO SCALE



PLAN VIEW
 (C.I. Grate not Shown)

GENERAL NOTES:

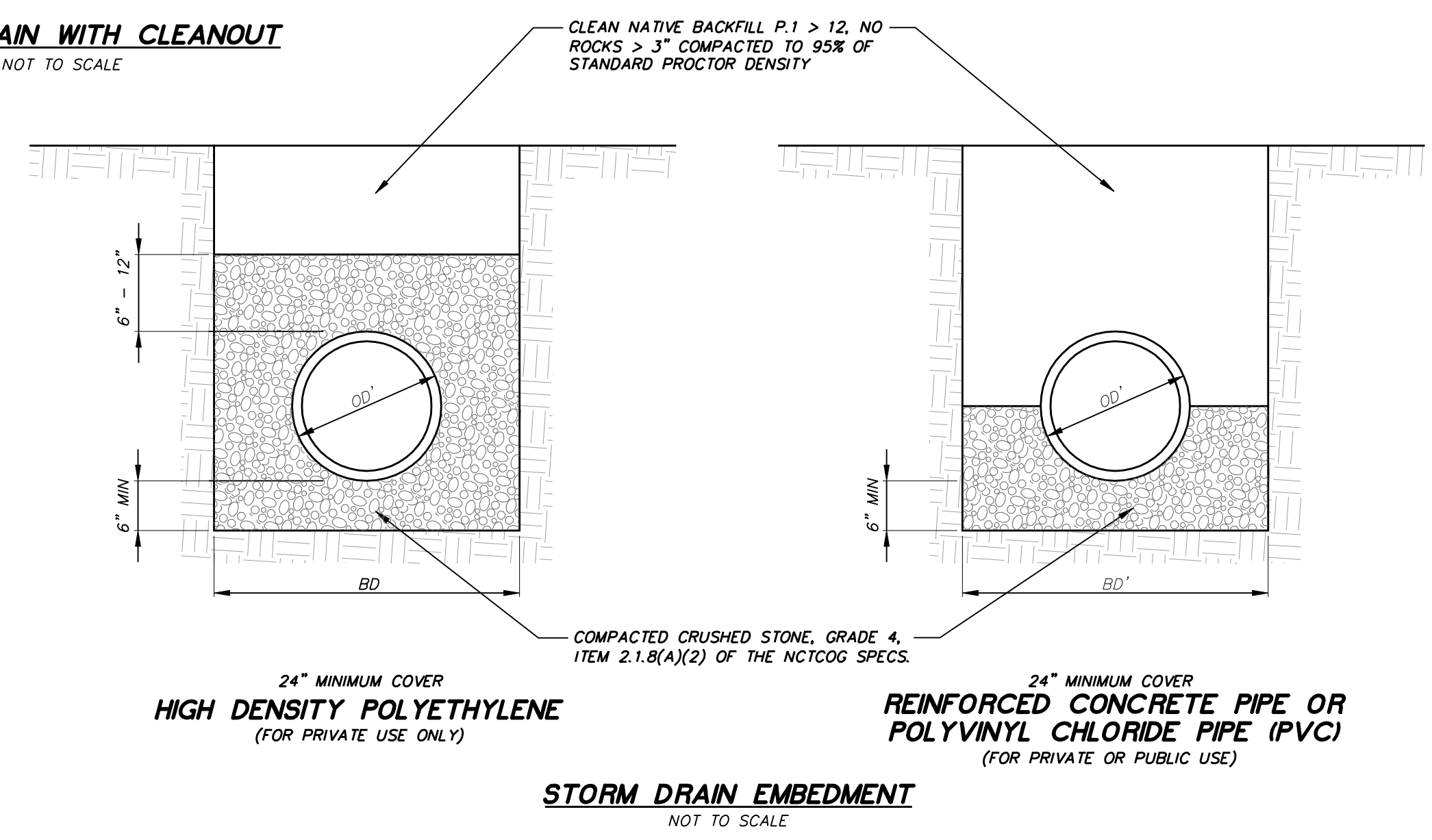
1. CONCRETE: SHALL HAVE A MINIMUM DESIGN STRENGTH OF 5,000 PSI AT 28 DAYS.
2. STEEL REINFORCEMENT: ASTM A-615, GRADE 60 OR ASTM A-497 WELDED WIRE FABRIC.
3. LOADING: DESIGNED FOR H20 LOADING.
4. C.I. CASTINGS: ASTM A-48, CLASS 30/35.
5. PROVIDE FRAME AND COVER AS REQUIRED.
6. PROVIDE BODY AND EXTENSIONS AS REQUIRED.



SECTION A-A

ELEVATION B-B

13" X 13" I.D. CATCH BASIN
 NOT TO SCALE



HIGH DENSITY POLYETHYLENE
 (FOR PRIVATE USE ONLY)

STORM DRAIN EMBEDMENT
 NOT TO SCALE

REINFORCED CONCRETE PIPE OR POLYVINYL CHLORIDE PIPE (PVC)
 (FOR PRIVATE OR PUBLIC USE)



NO.	REVISION	BY	DATE

icon Consulting Engineers, Inc. 2840 W. Southlake Blvd., Suite 110
 Civil Engineers - Designers - Planners Southlake, TX 76092 (817) 552-6210
 Engineering Firm Registration Number F-9007

VITRUVIAN WEST 2
 VITRUVIAN PARK - TOWN OF ADDISON, TEXAS
 3725 VITRUVIAN WAY

PRIVATE STORM DRAIN DETAILS

DESIGN	DRAWN	DATE	SCALE	NOTES	Sheet No.
ICE	ICE	NOV 17, 2020	AS NOTED		C4.06