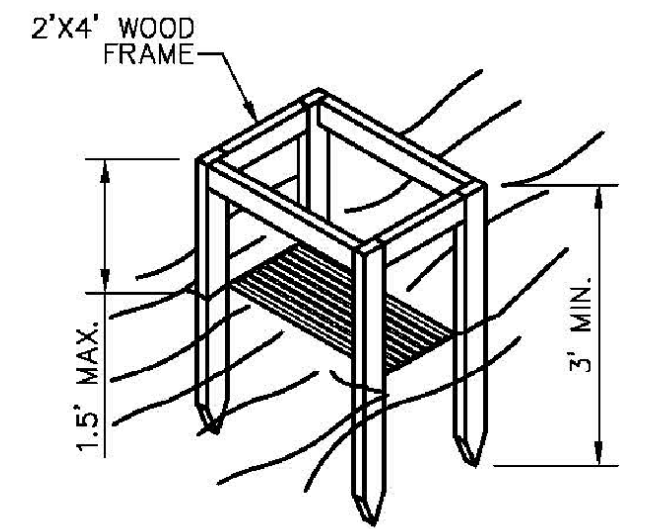
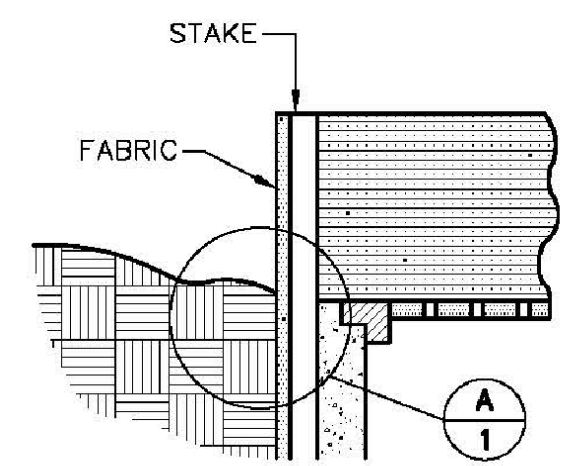


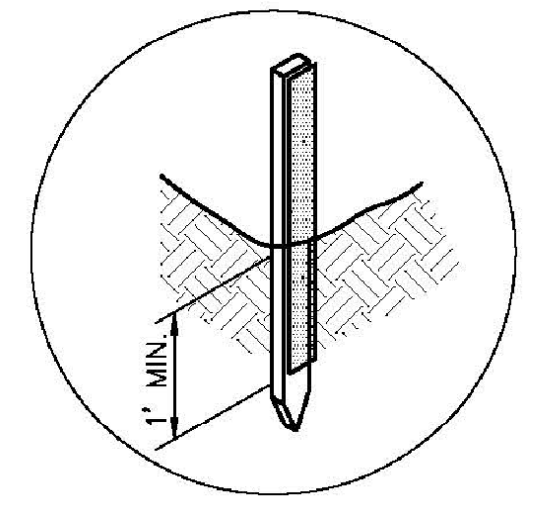
PERSPECTIVE VIEW



PERSPECTIVE VIEW



ELEVATION OR STAKE AND FABRIC ORIENTATION



DETAIL 'A'

SPECIFIC APPLICATION
 THIS METHOD OF INLET PROTECTION IS APPLICABLE WHERE THE INLET DRAINS A RELATIVELY FLAT AREA (SLOPE NO GREATER THAN 5%) WHERE THE INLET SHEET OR OVER-LAND FLOWS (NOT TO EXCEED 1 C.F.S.) ARE TYPICAL. THE METHOD SHALL NOT APPLY TO INLETS RECEIVING CONCENTRATED FLOWS SUCH AS IN STREETS OR HIGHWAY MEDIANS.

Addison!
 PUBLIC WORKS DEPARTMENT

GRATE AND WYE INLET PROTECTION

STANDARD CONSTRUCTION DETAILS EROSION CONTROL

DATE: AUGUST, 2010	REV DATE: -	SHEET : SD-ECC4
-----------------------	----------------	--------------------



NO.	REVISION	BY	DATE

icon Consulting Engineers, Inc. 2840 W. Southlake Blvd., Suite 110
 Civil Engineers - Designers - Planners Southlake, Tx 76092 (817) 552-6210
 Engineering Firm Registration Number F-9007

VITRUVIAN WEST 2
 VITRUVIAN PARK - TOWN OF ADDISON, TEXAS
 3725 VITRUVIAN WAY
EROSION & SEDIMENT CONTROL DETAILS

DESIGN	DRAWN	DATE	SCALE	NOTES	Sheet No.
ICE	ICE	NOV 17, 2020	AS NOTED		C7.03