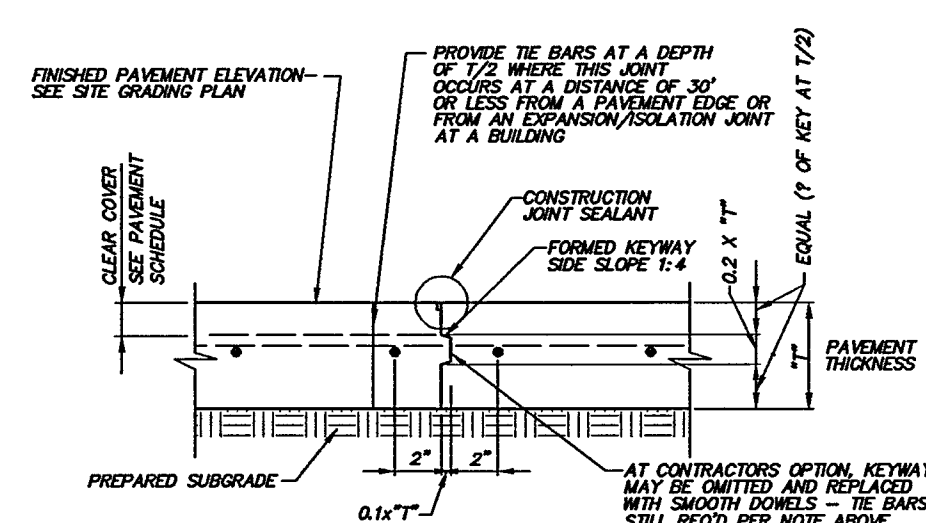
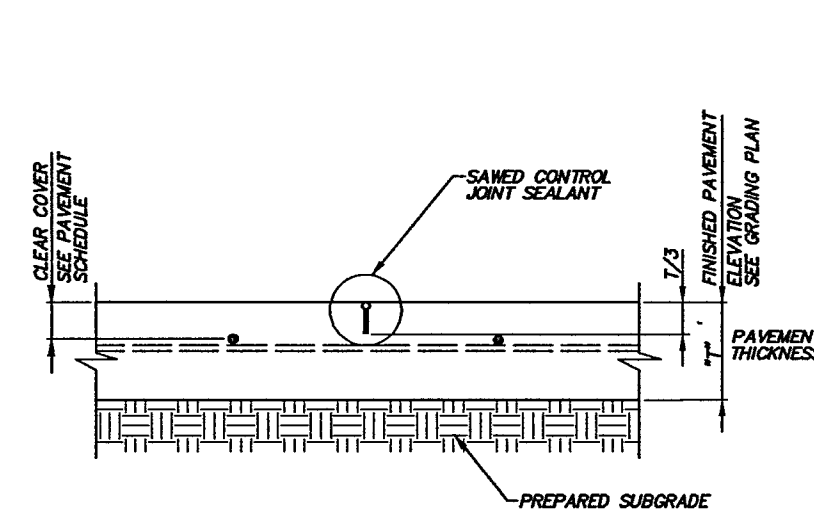


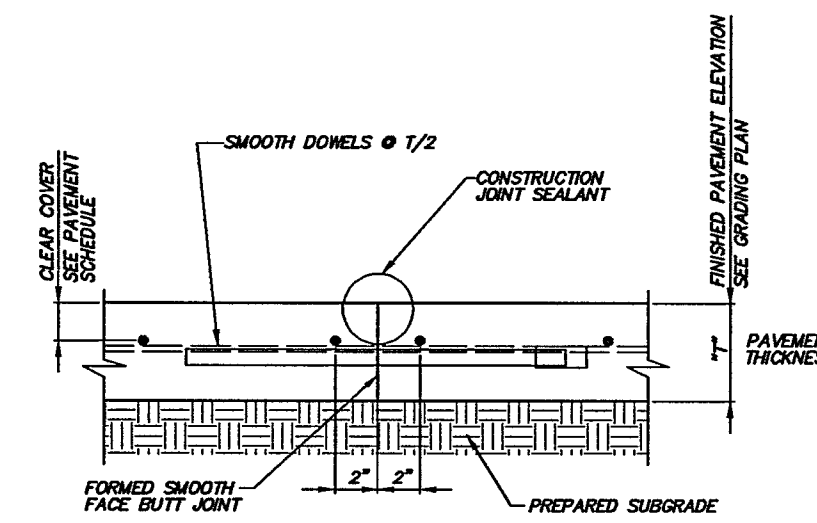
LONGITUDINAL CONTROL JOINT
NOT TO SCALE



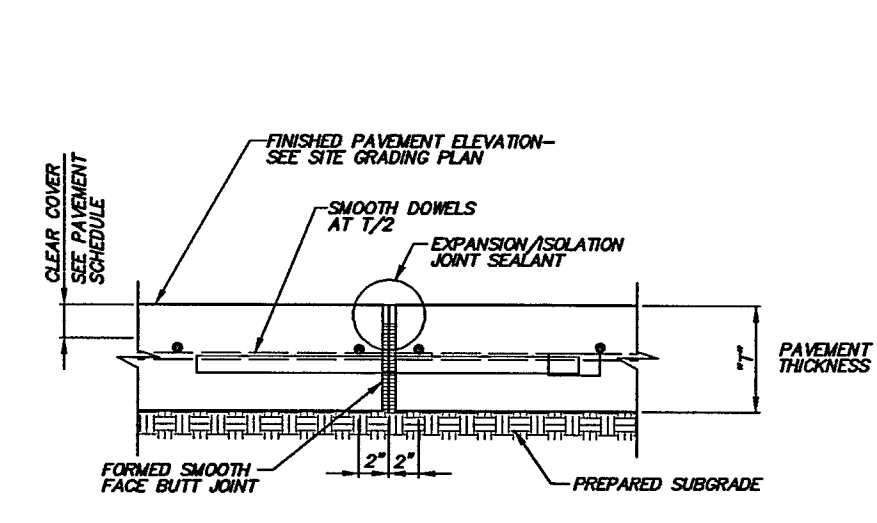
KEYED LONGITUDINAL CONSTRUCTION JOINT
NOT TO SCALE



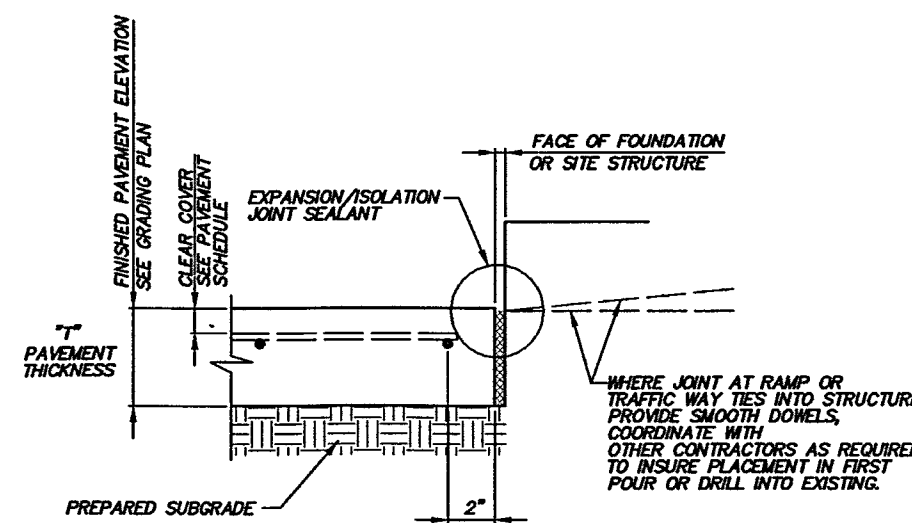
TRANSVERSE CONTROL JOINT
NOT TO SCALE



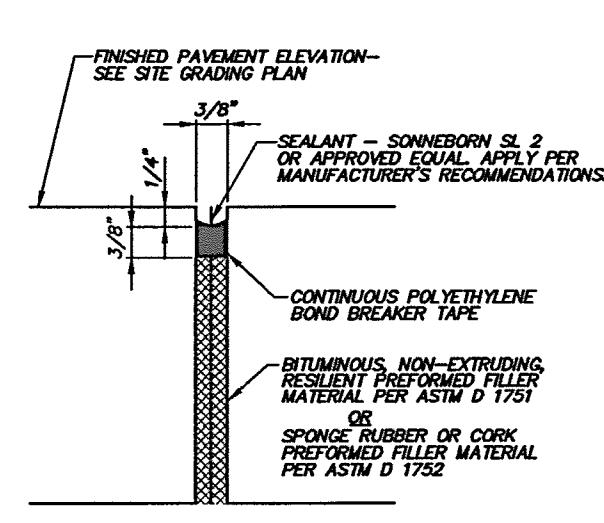
TRANSVERSE CONSTRUCTION JOINT
NOT TO SCALE



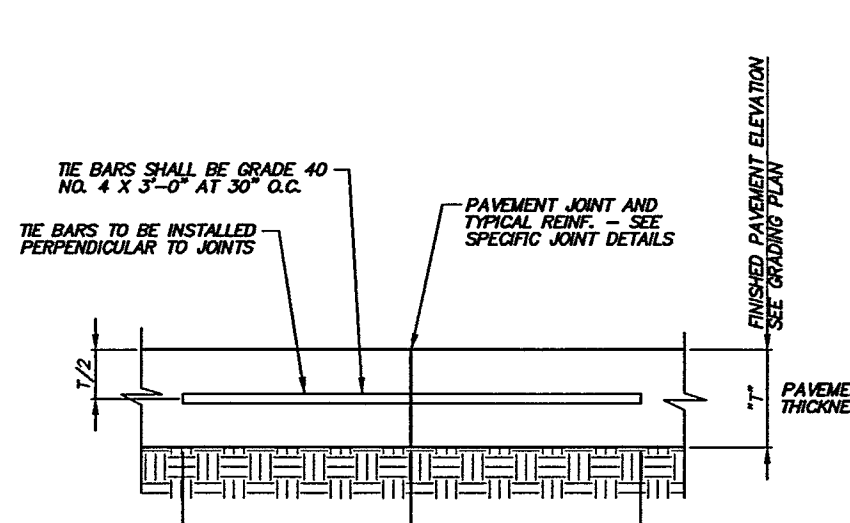
TRANSVERSE EXPANSION JOINT
NOT TO SCALE



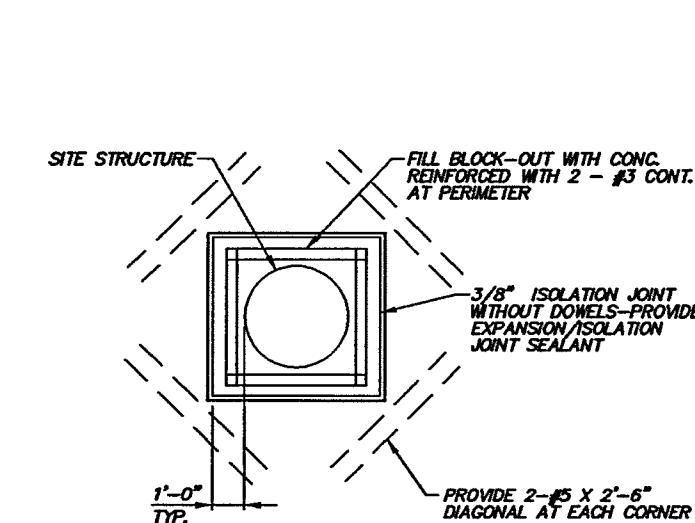
EXPANSION / ISOLATION JOINT AT STRUCTURES
NOT TO SCALE



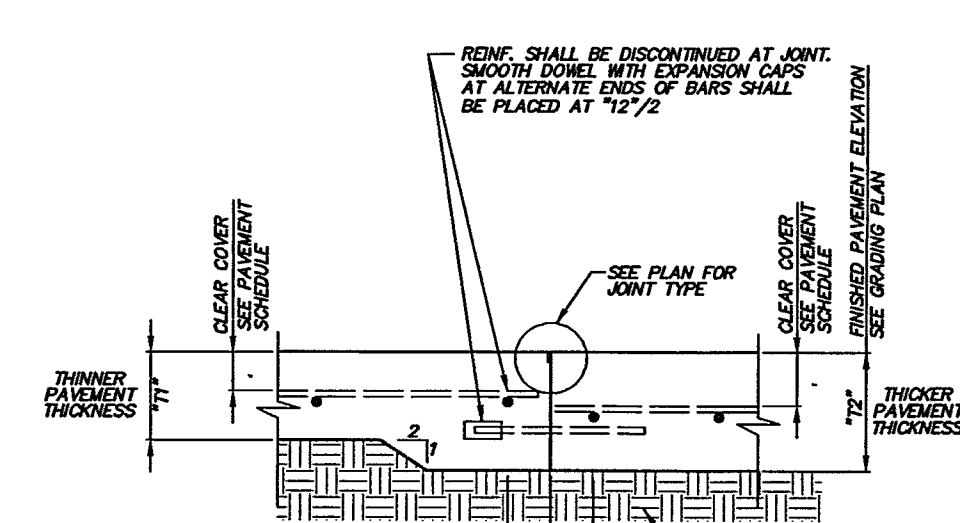
EXPANSION / ISOLATION JOINT SEALANT
NOT TO SCALE



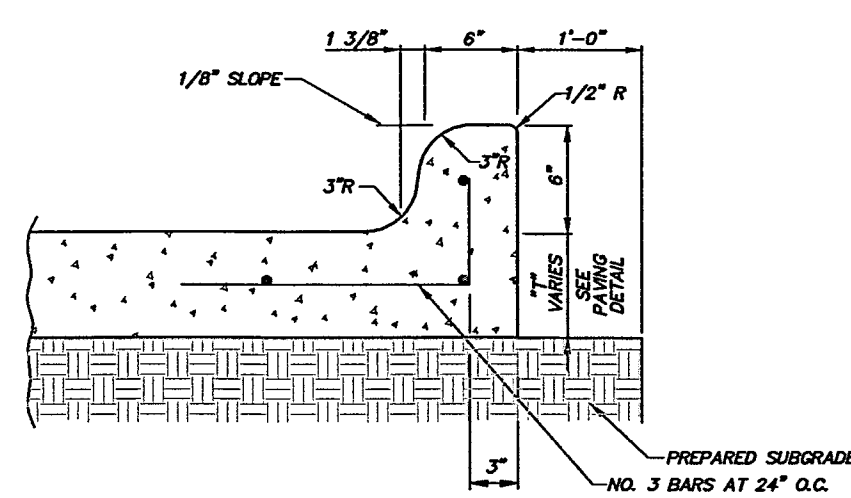
TIE BAR
NOT TO SCALE



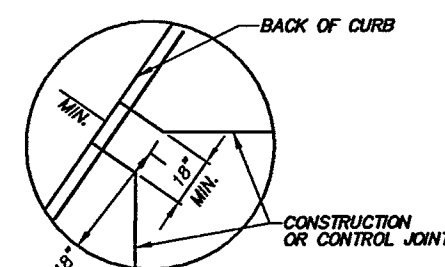
JOINT TREATMENT AT SITE STRUCTURES
NOT TO SCALE



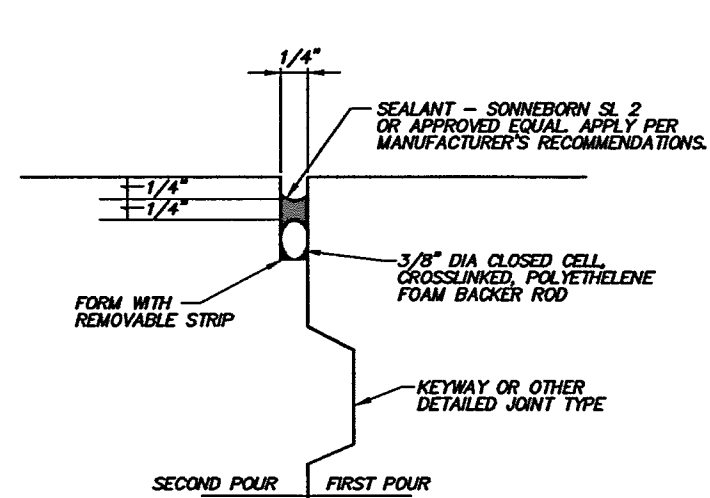
PAVEMENT DEPTH CHANGE / ISOLATION JOINT
NOT TO SCALE



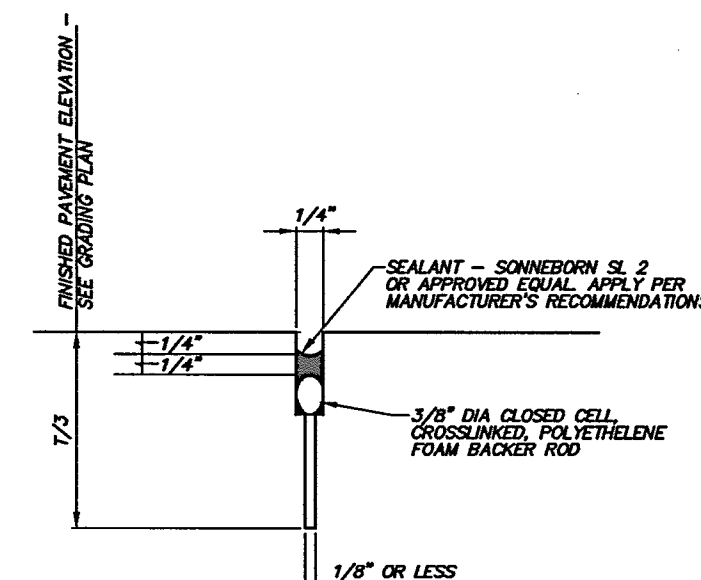
6\"/>



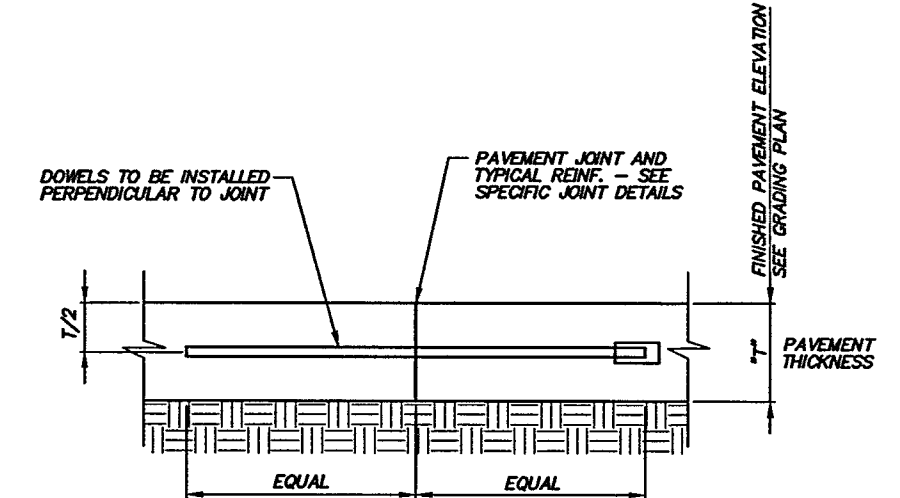
TYPICAL AT ALL ANGLED JOINT TERMINATIONS
NOT TO SCALE



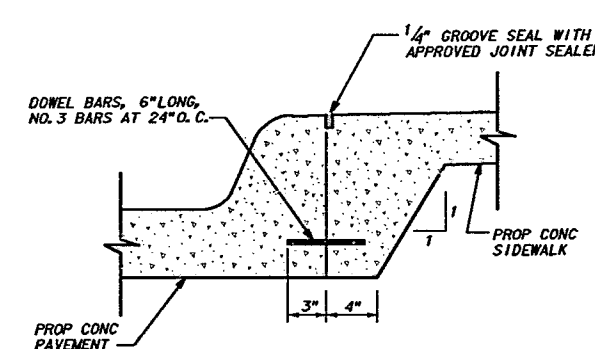
CONSTRUCTION JOINT SEALANT
NOT TO SCALE



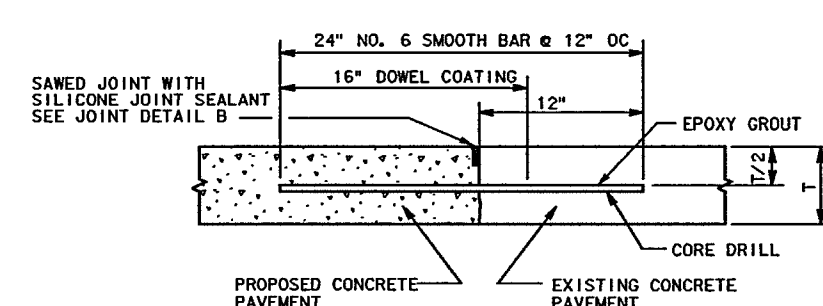
SAWED CONTROL JOINT SEALANT
NOT TO SCALE



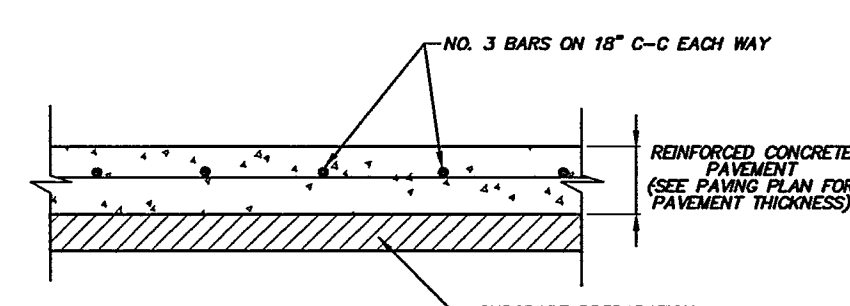
SMOOTH DOWEL
NOT TO SCALE



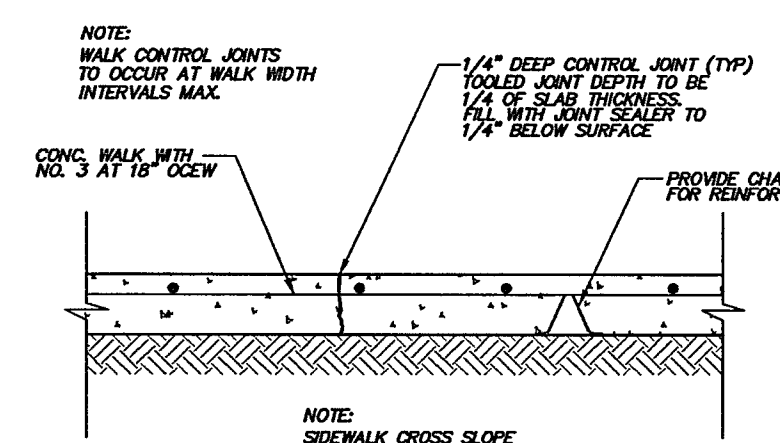
JOINT DETAIL FOR SIDEWALK ADJACENT TO CURB
NOT TO SCALE



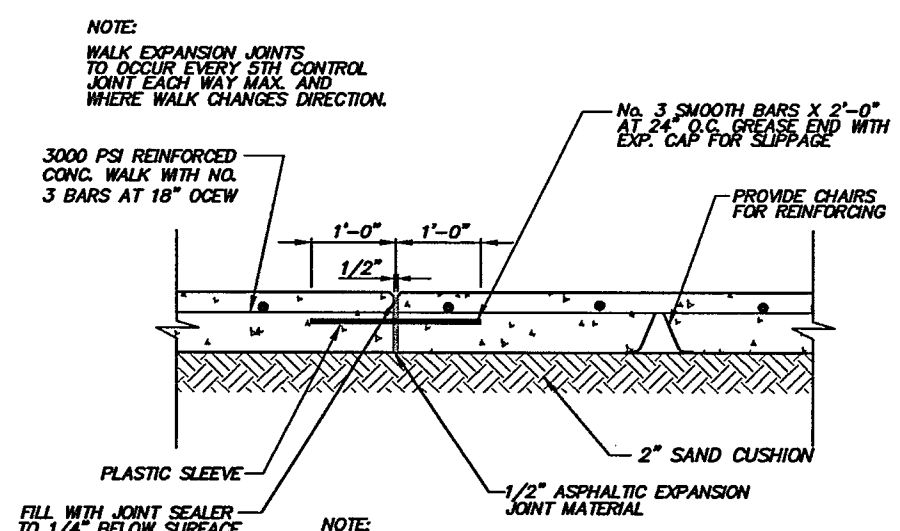
PROPOSED TO EXISTING CONCRETE PAVEMENT
NOT TO SCALE



TYPICAL PAVEMENT SECTION
NOT TO SCALE



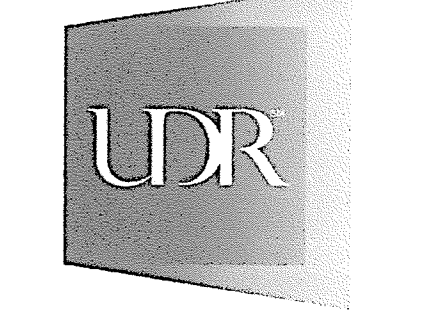
SIDEWALK CONTROL JOINT
NOT TO SCALE



SIDEWALK EXPANSION JOINT
NOT TO SCALE

Good Fulton & Farrell Architects
214.303.1500 / Tel
214.303.1512 / Fax
www.gfa.com
2808 Fairmount Street
Suite 300
Dallas, Texas 75201

icon
Consulting Engineers, Inc.
Civil Engineers - Designers - Planners
ElcomerHall Financial Center
200 W. Southlake Blvd., Suite 117
Southlake, TX 75092
Phone: (817) 552-6210
Fax: (817) 552-9129



FIORI
ON VITRUVIAN PARK
3990 VITRUVIAN WAY
ADDISON, TX 75001

No.	Date	Item
1	05.23.2012	PR #8
2	11.18.2011	PR #1
3		
4		
5		
6		
7		
8		
9		
10		
11		
12		
13		
14		
15		
16		
17		
18		
19		
20		
21		
22		
23		
24		
25		
26		
27		
28		
29		
30		
31		
32		
33		
34		
35		
36		
37		
38		
39		
40		
41		
42		
43		
44		
45		
46		
47		
48		
49		
50		

ICE
Drawn
JAM
Checked
BFD
Approved

PAVING DETAILS

Project No. 10061.00
Date 08.25.11
Last Revision

C0-6.02