

SPACING DIAGRAM FOR JOINT
NOT TO SCALE

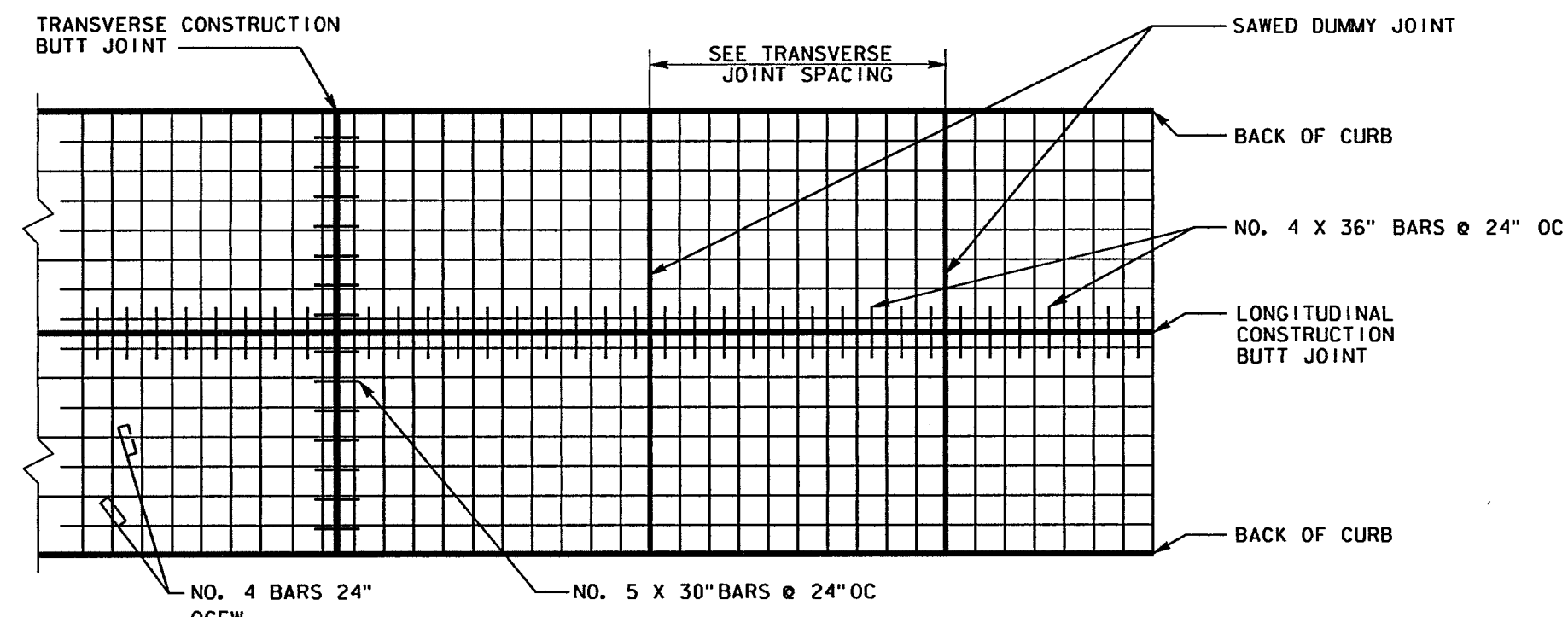
- DRAWING NOTES:
 1. ALL BLOCK-OUTS ARE 9" EXCEPT FOR INLETS.
 2. END OF EACH BLOCK-OUT TO HAVE TRANSVERSE JOINT.

TRANSVERSE JOINT SPACING	
PAVEMENT THICKNESS	SPACING
T = 5"	10 FEET
T = 6"	12 FEET
T = 7"	14 FEET
T = 8" OR 10"	16 FEET

LONGITUDINAL JOINT SPACING	
STREET WIDTH	SPACING
22' TO 30'	ON CL
36' & 40'	ON CL & 8' FROM BACK OF CURB
38'	6' LT & RT OFF CL
44'	ON CL AND 11' OFF CL
48'	ON CL AND 12' OFF CL
60'	6' AND 18' OFF CL
76'	8', 20' AND 32' OFF CL

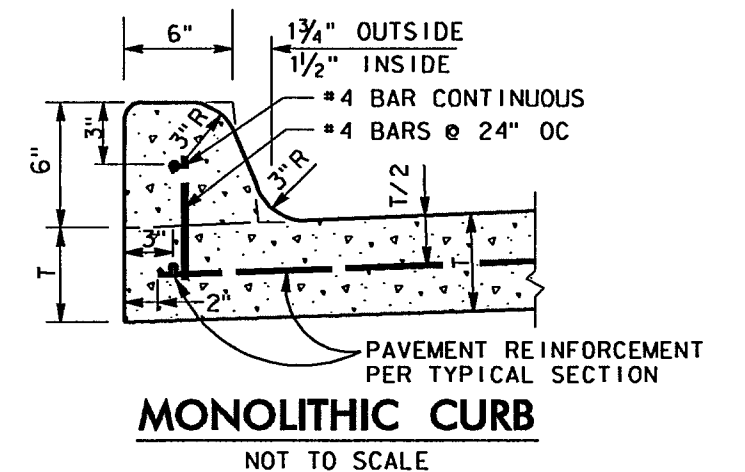
JOINT DEPTH	
PAVEMENT THICKNESS	JOINT DEPTH
T = 5"	1 1/4"
T = 6"	1 1/2"
T = 7"	1 3/4"
T = 8" OR 10"	2"

TRANSVERSE EXPANSION JT SPACING	
VARIES (200' C-C MAXIMUM)	

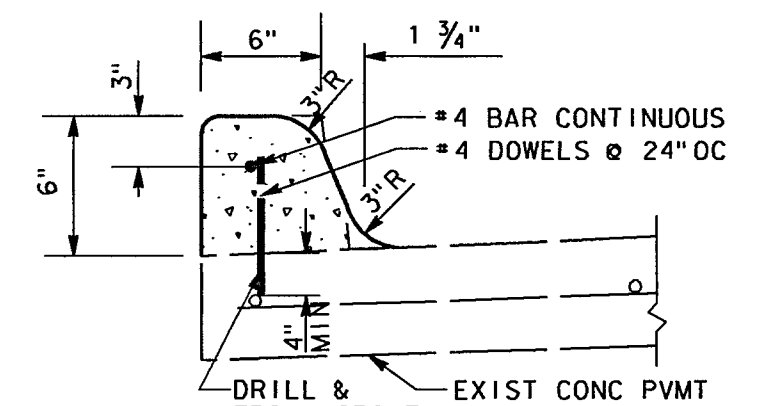


PLAN OF STEEL LAYOUT
NOT TO SCALE

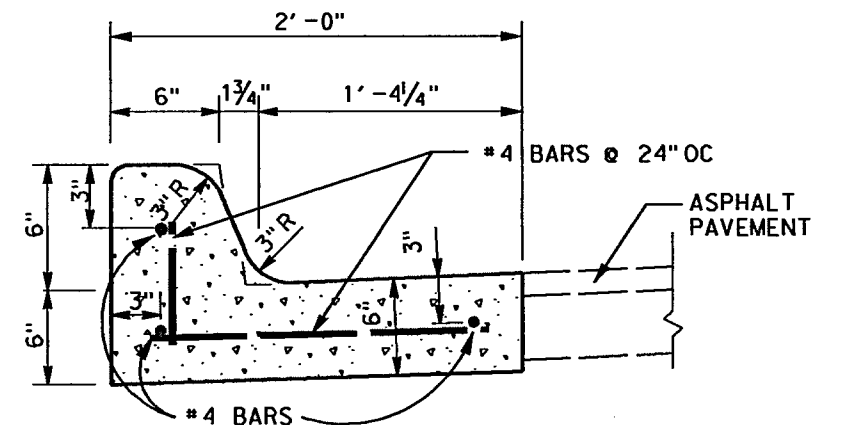
- DRAWING NOTES:
 1. THE REINFORCING STEEL WILL EXTEND THROUGH LONGITUDINAL CONSTRUCTION BUTT, SAWED DUMMY, AND TRANSVERSE CONSTRUCTION BUTT JOINTS.



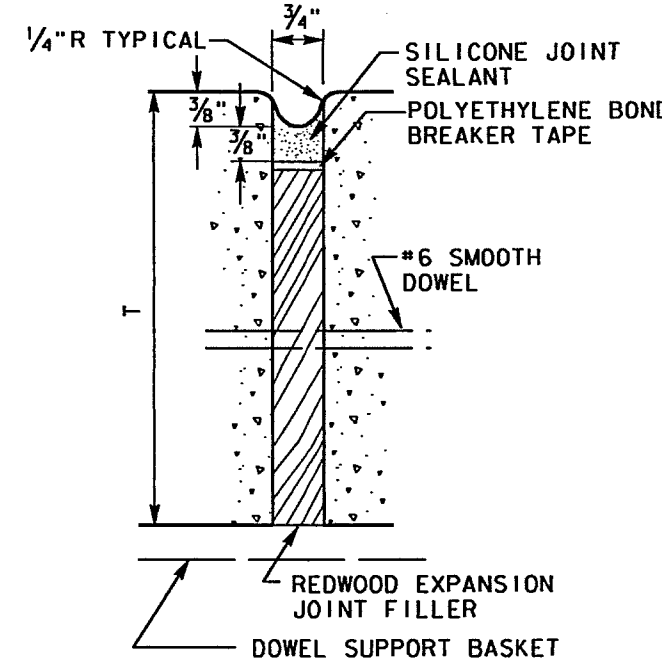
MONOLITHIC CURB
NOT TO SCALE



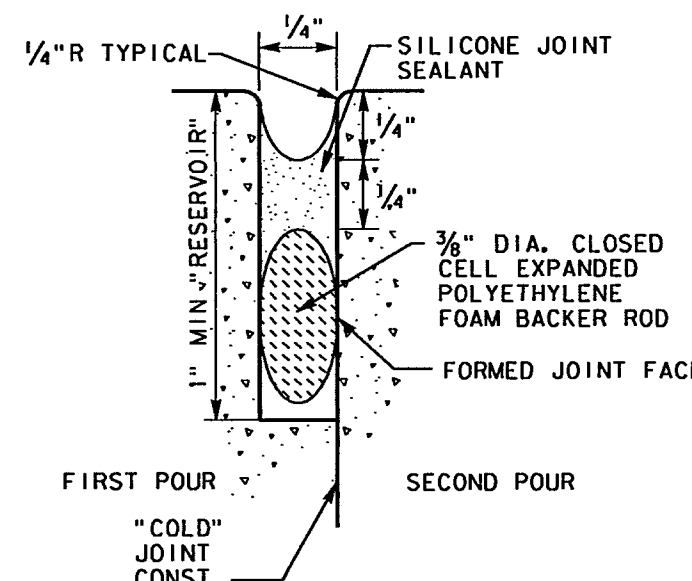
ATTACHED CURB
NOT TO SCALE



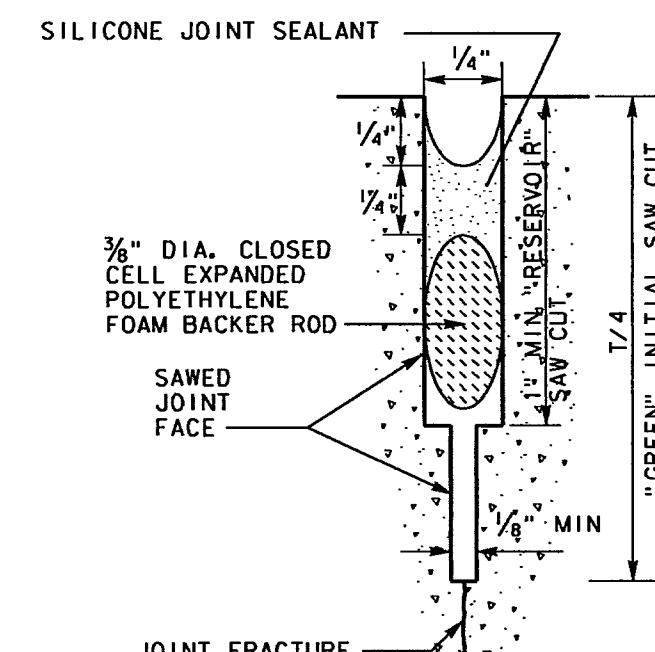
6" CURB AND GUTTER
NOT TO SCALE



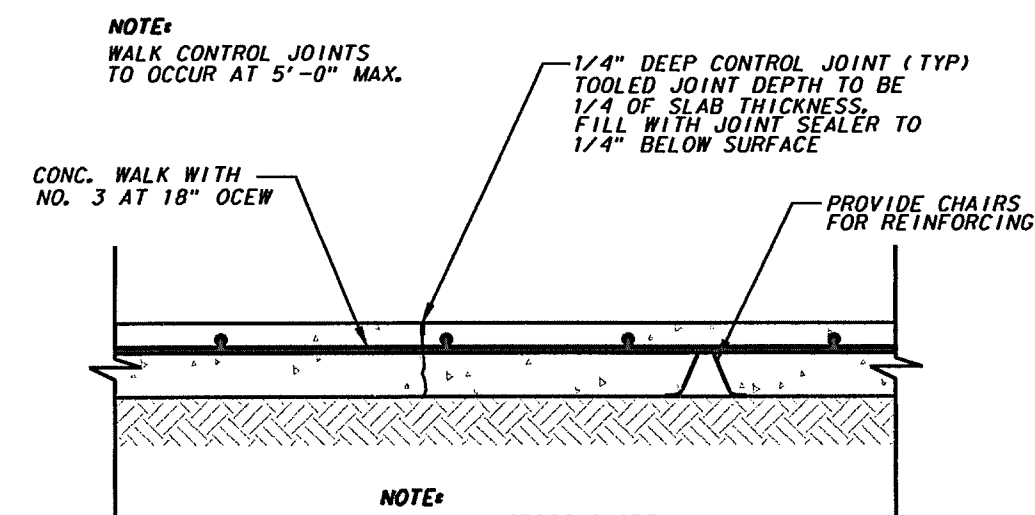
JOINT DETAIL A SEAL FOR TRANSVERSE EXPANSION JOINT
NOT TO SCALE



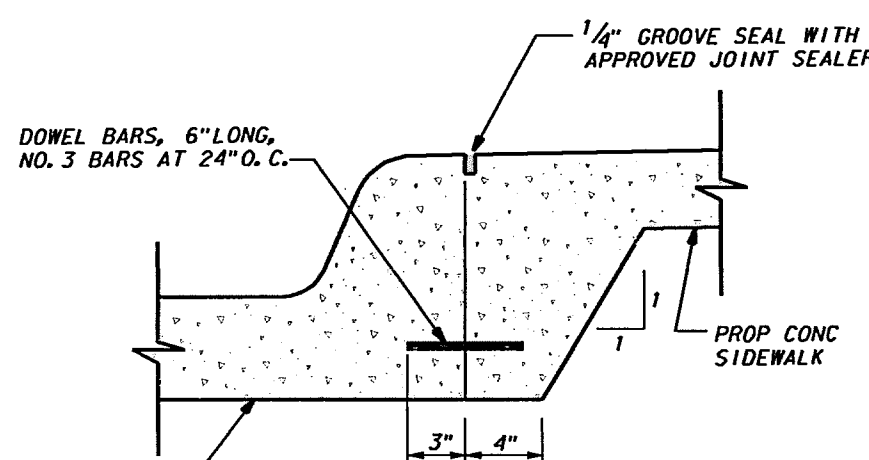
JOINT DETAIL B SEAL FOR LONGITUDINAL AND TRANSVERSE CONSTRUCTION BUTT JOINT
NOT TO SCALE



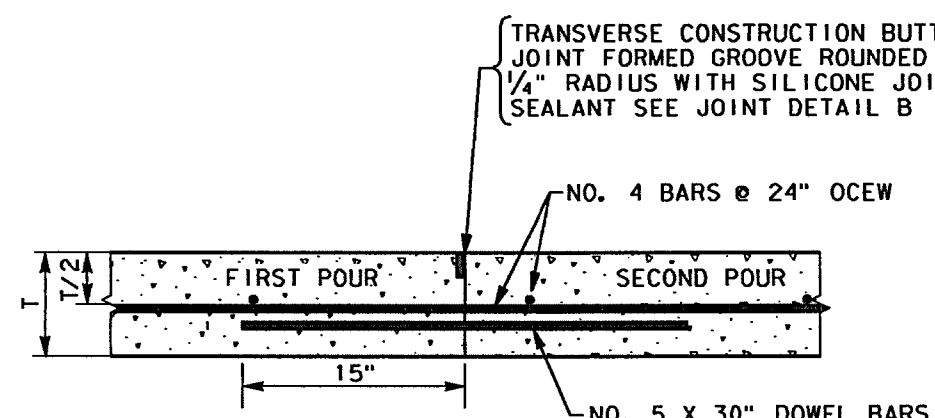
JOINT DETAIL C SEAL FOR SAWED DUMMY JOINT
NOT TO SCALE



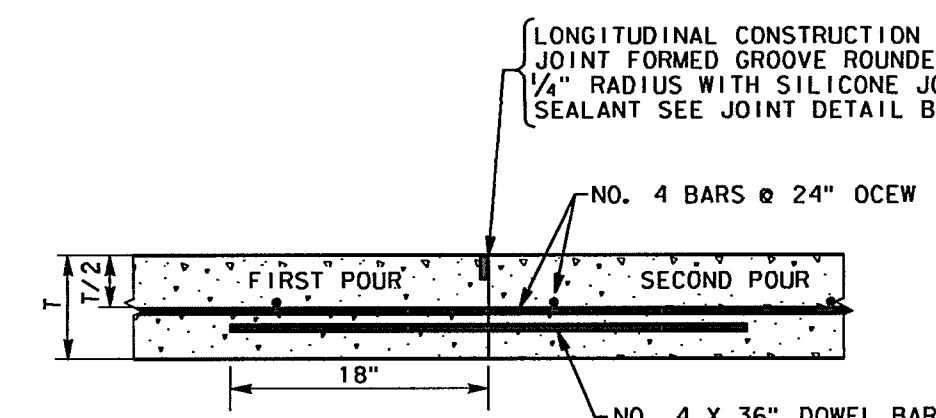
SIDEWALK CONTROL JOINT
NOT TO SCALE



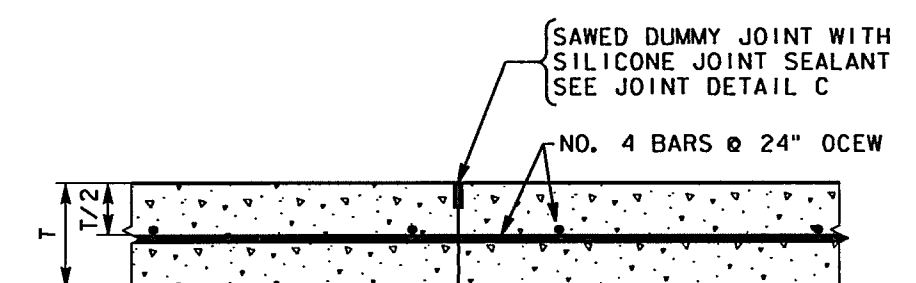
JOINT DETAIL FOR SIDEWALK ADJACENT TO CURB
NOT TO SCALE



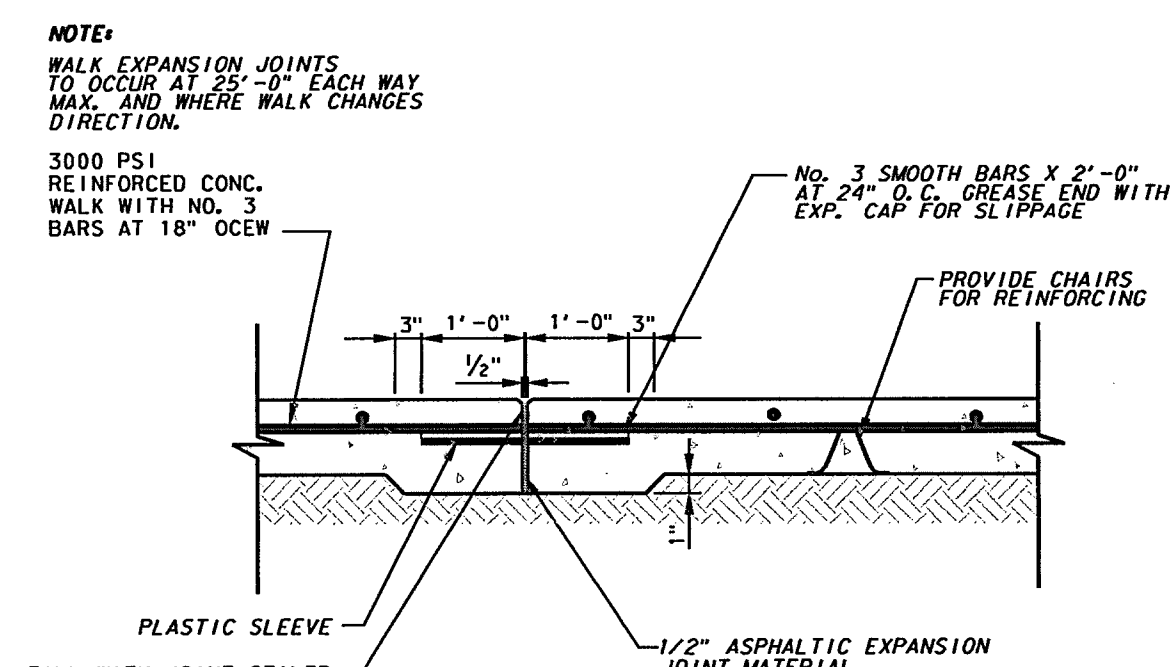
TRANSVERSE CONSTRUCTION BUTT JOINT
NOT TO SCALE



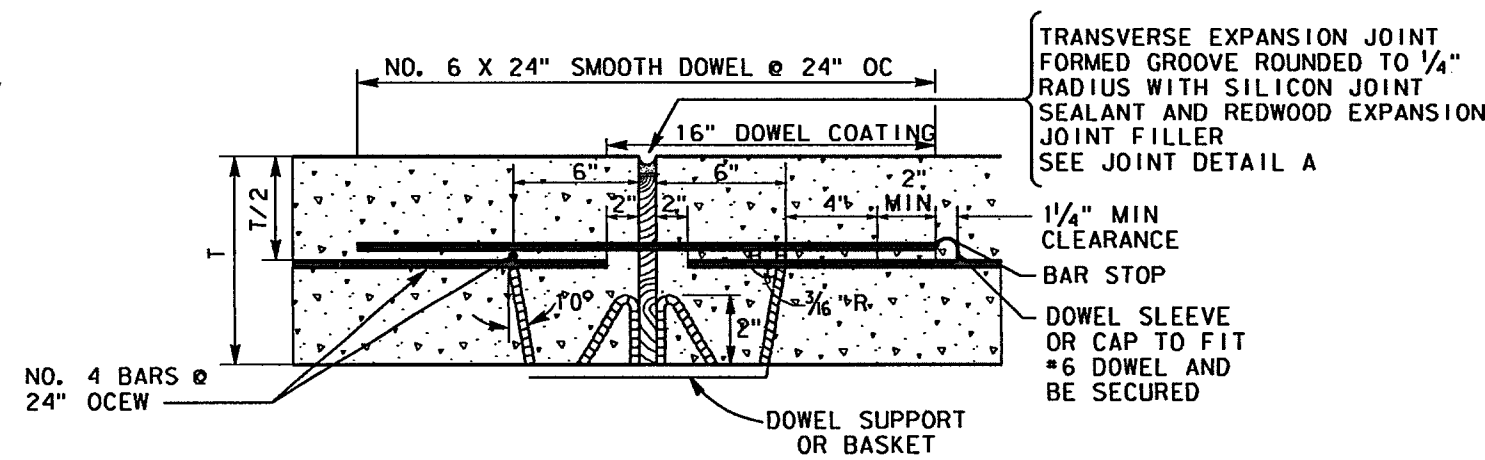
LONGITUDINAL CONSTRUCTION BUTT JOINT
NOT TO SCALE



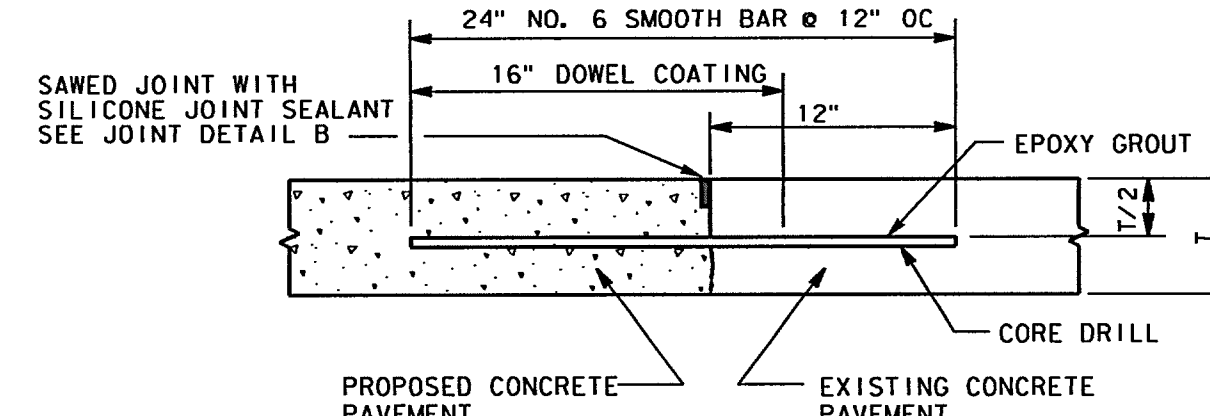
TRANSVERSE OR LONGITUDINAL SAWED DUMMY JOINT
NOT TO SCALE



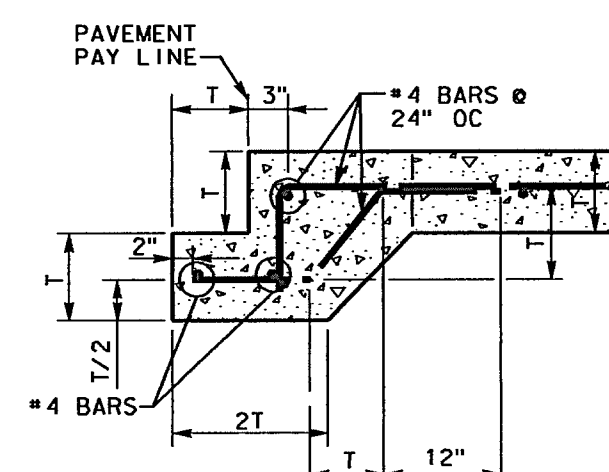
SIDEWALK EXPANSION JOINT
NOT TO SCALE



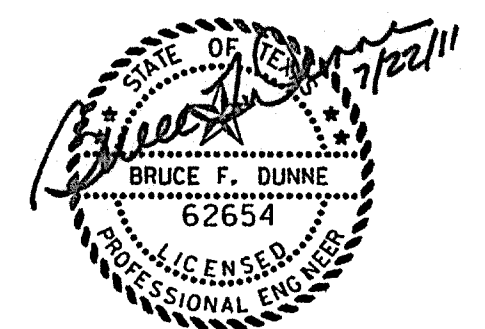
TRANSVERSE EXPANSION JOINT
NOT TO SCALE



PROPOSED TO EXISTING CONCRETE PAVEMENT
NOT TO SCALE



CONCRETE STREET HEADER
NOT TO SCALE



NO.	REVISION	BY	DATE

ADDISON TOWN OF ADDISON DALLAS COUNTY, TEXAS
PAVING, DRAINAGE & UTILITY IMPROVEMENTS PONTE AVENUE CIRCLE

PAVING DETAILS

PROJECT	DESIGN	DRAWN	DATE	FILE	SHEET
5019-09	ICE	ICE	JULY 22, 2011	PW# 2011-03	8

icon Consulting Engineers, Inc. 250 W. Southlake Blvd., Suite 117
 Civil Engineers - Designers - Planners Southlake, Tx 76092 (817) 552-6210

PAVING, DRAINAGE, & UTILITY IMPROVEMENTS - PONTE AVENUE CIRCLE