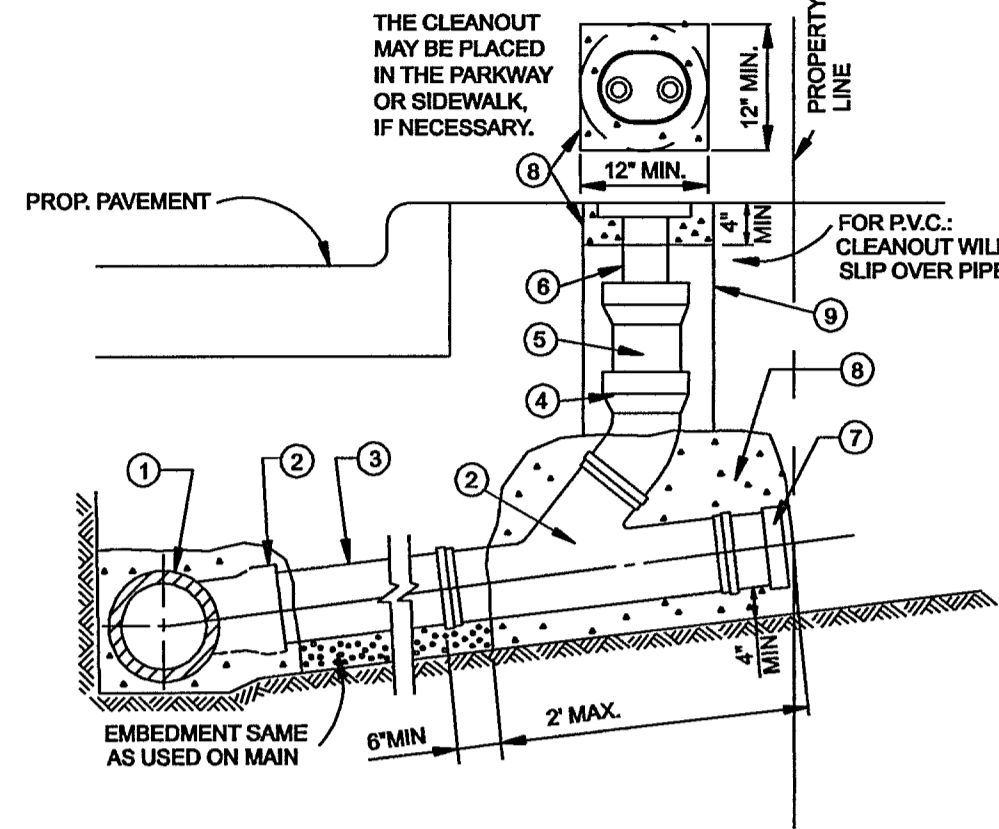


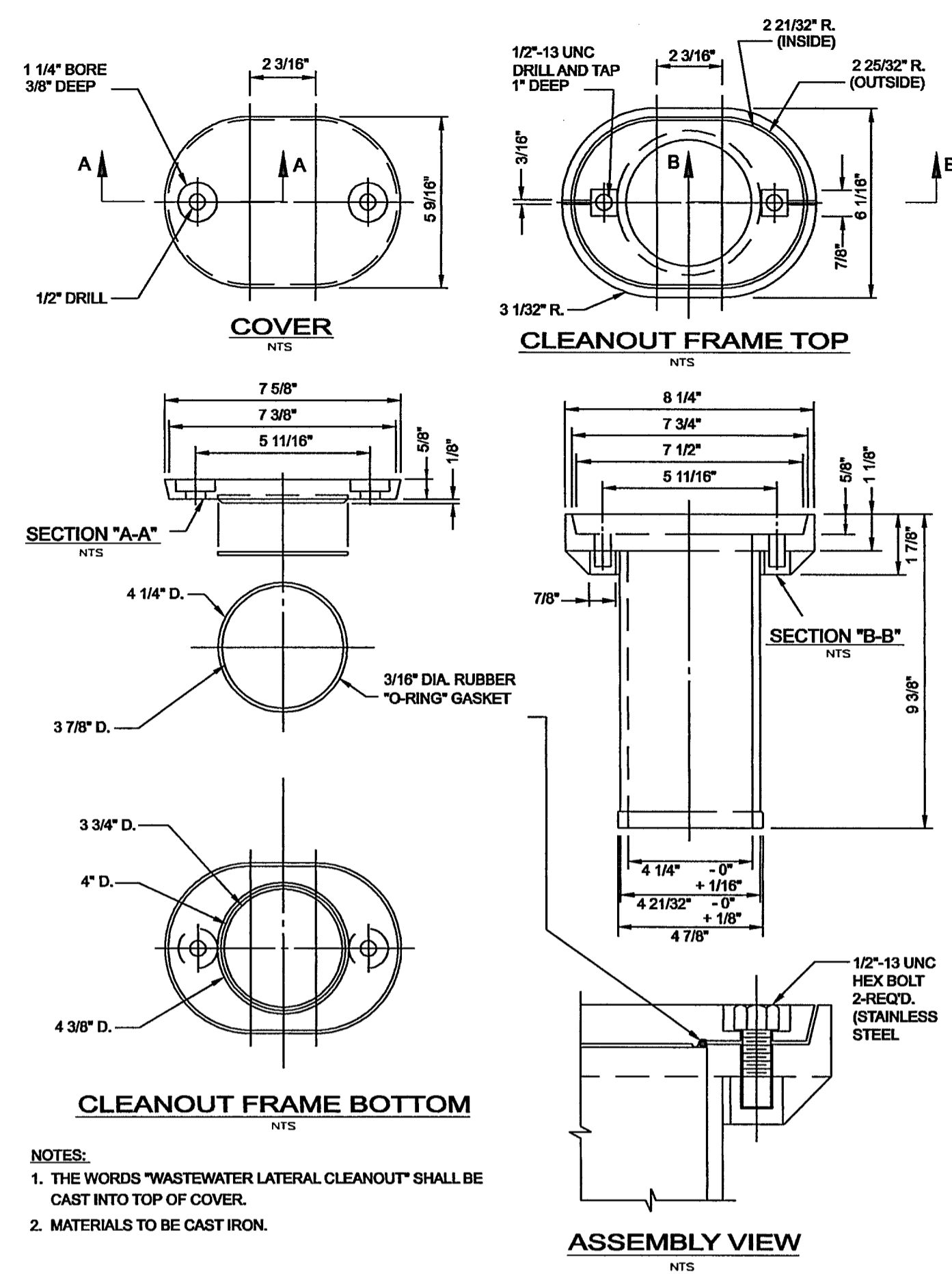
- KEY:
- ① WASTEWATER MAIN
 - ② WYE
 - ③ WASTEWATER LAT. (LENGTH VARIES)
 - ④ 4" LONG RADIUS 45° BEND
 - ⑤ 4" STACK (LENGTH VARIES)
 - ⑥ 4" WASTEWATER LAT. CLEANOUT CASTING

- ⑦ PLUG
- ⑧ CLASS "B" CONCRETE
- ⑨ COMPACTED AS SPECIFIED, OR INUNDATED SAND



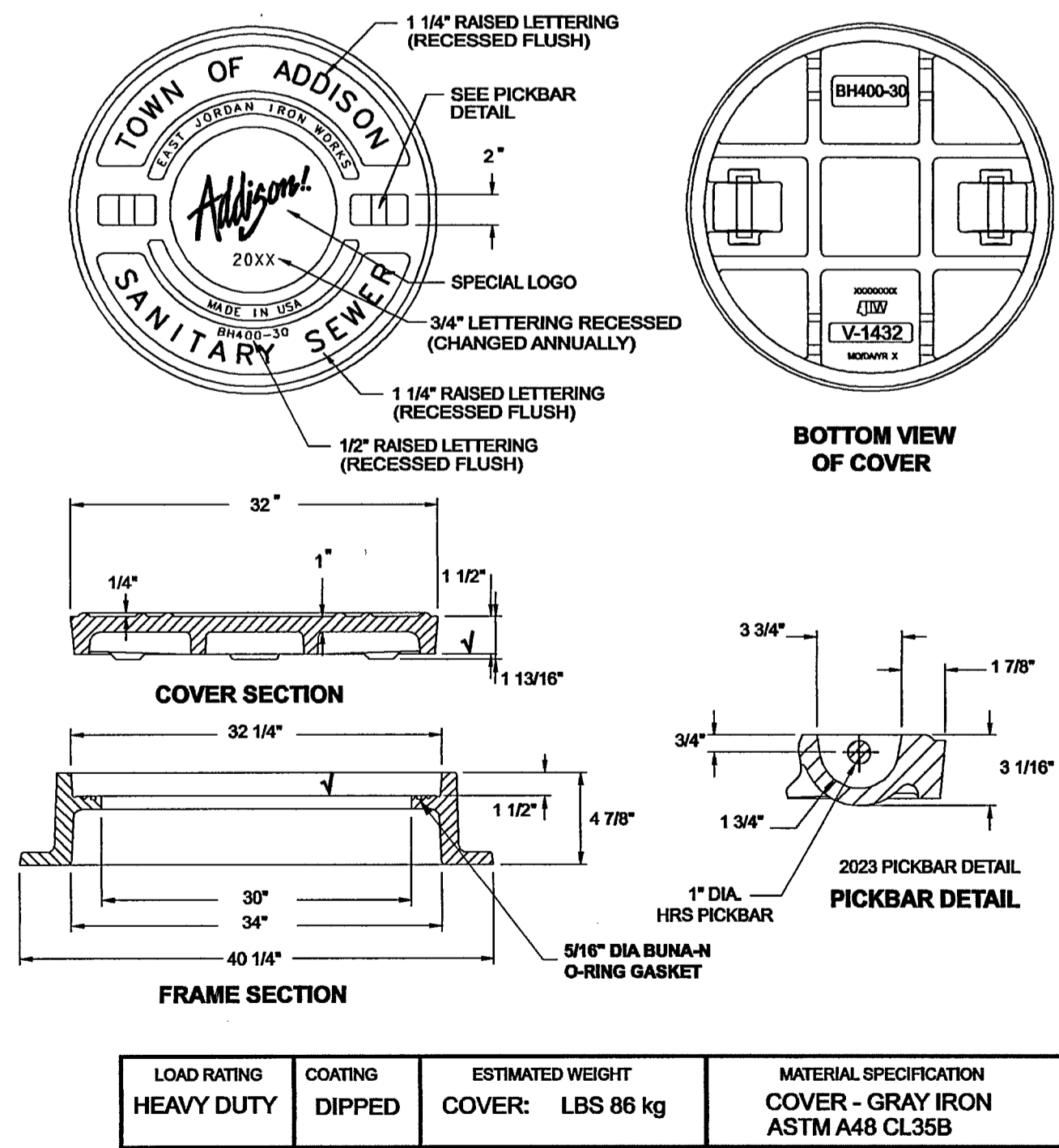
- NOTES:
- CLEANOUT CASTING TO BE FURNISHED AND PLACED PER SPECIAL CONDITIONS. IN VEHICLE TRAFFIC AREAS AND FOR COMMERCIAL MAINLINE LATERALS, WASTEWATER CLEANOUT SHALL BE OF CAST IRON.
 - SLOPE OF LATERAL TO BE 1% MIN., 2% MAX. UNLESS SHOWN OTHERWISE ON THE PLAN & PROFILE.
 - THE CLEANOUT STACK & CASTING MAY BE PLACED IN THE PARKWAY, VEHICLE TRAFFIC AREAS, OR SIDEWALK, IF NECESSARY.

SANITARY SEWER LATERAL CLEANOUT



- NOTES:
- THE WORDS "WASTEWATER LATERAL CLEANOUT" SHALL BE CAST INTO TOP OF COVER.
 - MATERIALS TO BE CAST IRON.

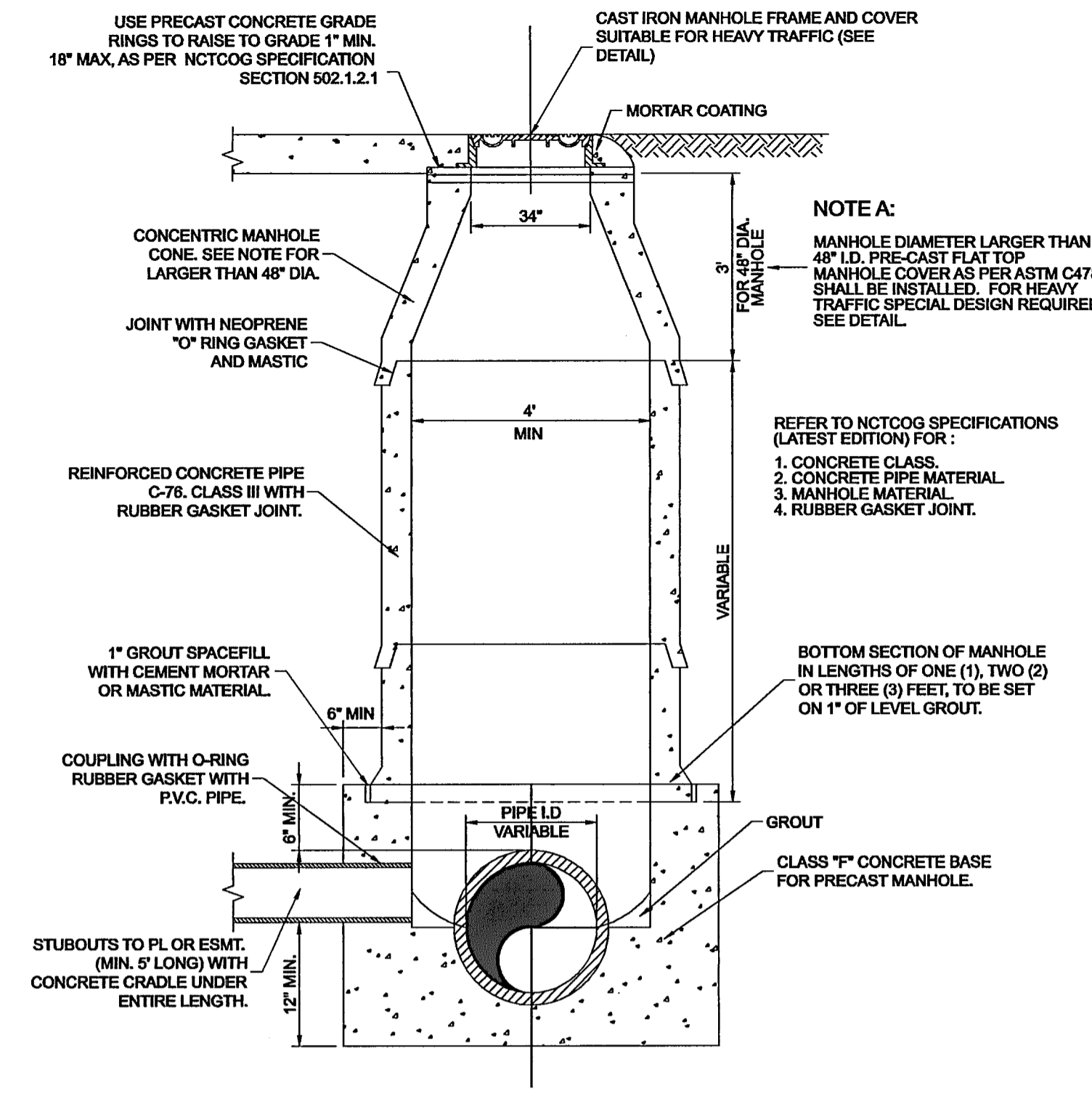
SANITARY SEWER LATERAL CLEANOUT FRAME & COVER



LOAD RATING HEAVY DUTY	COATING DIPPED	ESTIMATED WEIGHT COVER: LBS 86 kg	MATERIAL SPECIFICATION COVER - GRAY IRON ASTM A48 CL35B
---------------------------	-------------------	--------------------------------------	---

∇ DESIGNATES MACHINE SURFACE

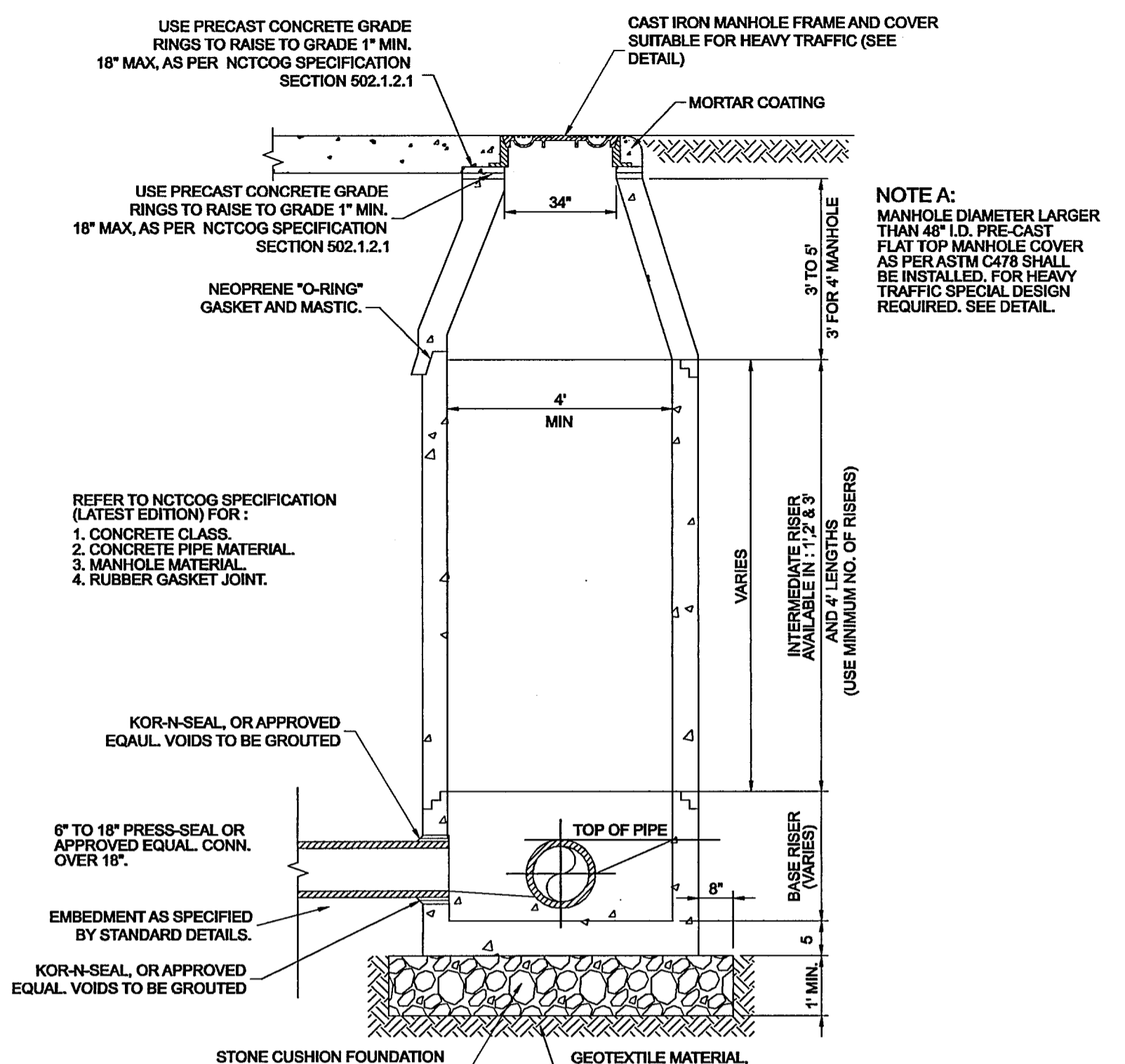
CAST IRON FRAME AND COVER



- NOTE:
- IF FALSE MANHOLE BOTTOMS ARE REQUIRED, THEY SHALL BE CONSTRUCTED, INSTALLED AND REMOVED.

PRECAST CONCRETE PIPE MANHOLE ALTERNATE "A"

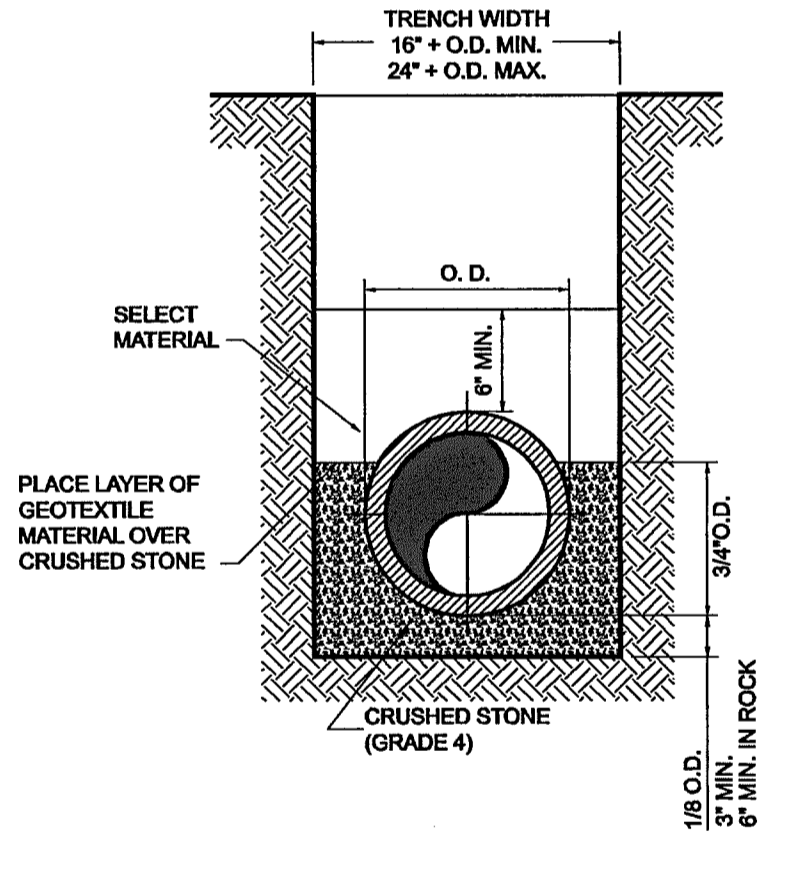
ALL MANHOLES SHALL PASS VACUUM TEST AS PER NCTCOG SPECIFICATIONS



- NOTE:
- IF FALSE MANHOLE BOTTOMS ARE REQUIRED, THEY SHALL BE CONSTRUCTED, INSTALLED AND REMOVED.

PRECAST CONCRETE MANHOLE ALTERNATE "B"

ALL MANHOLES SHALL PASS VACUUM TEST AS PER NCTCOG SPECIFICATIONS



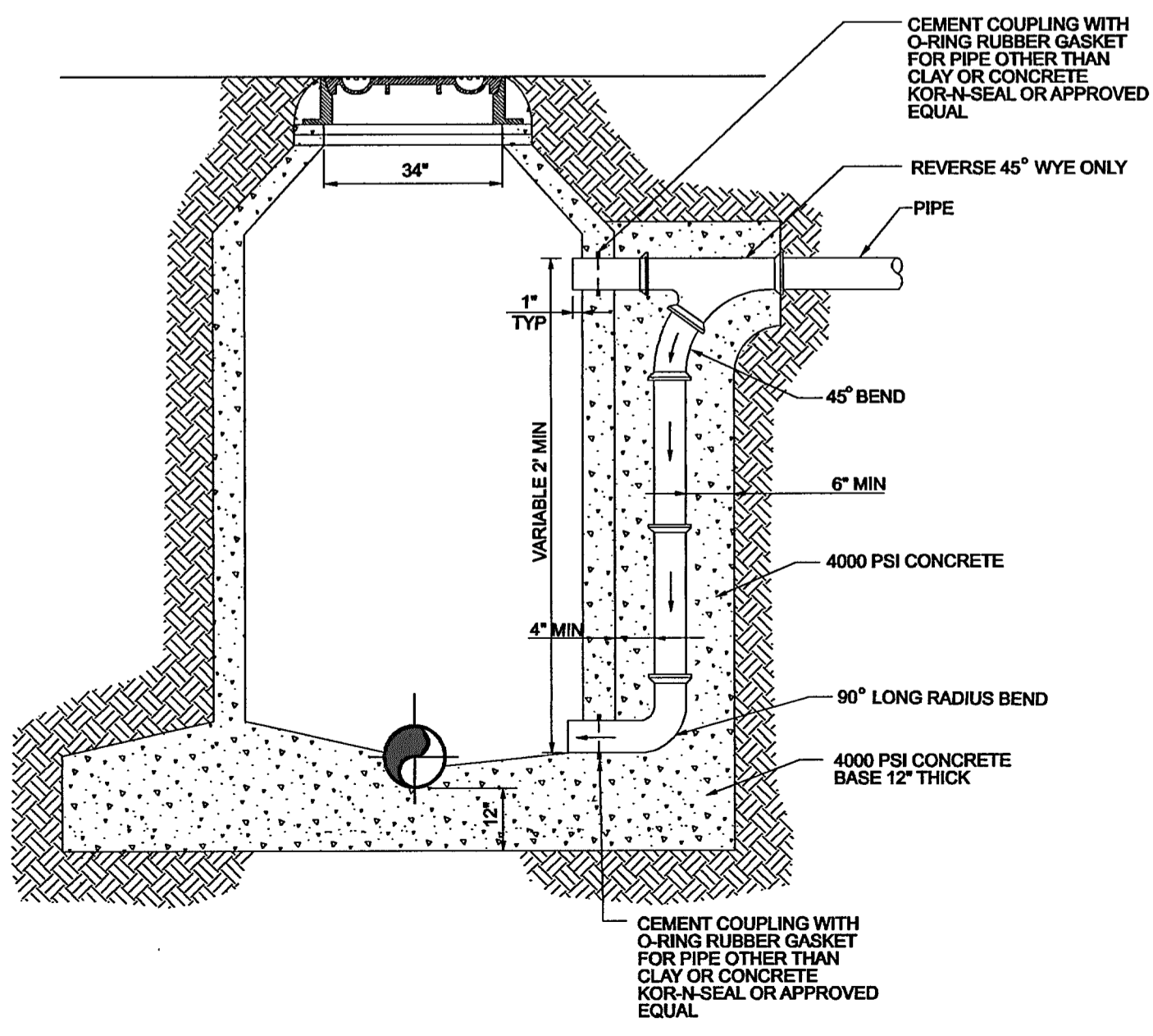
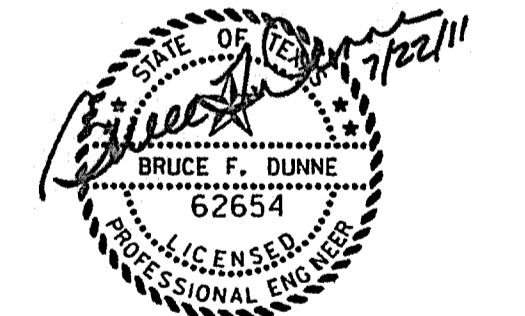
CLASS "B+" EMBEDMENT
TYPICAL BACKFILL WATER MAIN P.V.C. WATER PIPE

NO.	REVISION	BY	DATE

TOWN OF ADDISON
DALLAS COUNTY, TEXAS
PAVING, DRAINAGE & UTILITY IMPROVEMENTS
PONTE AVENUE CIRCLE

SANITARY SEWER DETAILS

icon Consulting Engineers, Inc.		250 W. Southlake Blvd., Suite 117			
Civil Engineers - Designers - Planners		Southlake, Tx 76092 (817) 552-6210			
PROJECT	DESIGN	DRAWN	DATE	FILE	SHEET
5019-09	ICE	ICE	JULY 22, 2011	PW# 2011-03	24



EXTERIOR MANHOLE DROP CONNECTION

PAVING, DRAINAGE, & UTILITY IMPROVEMENTS - PONTE AVENUE CIRCLE