

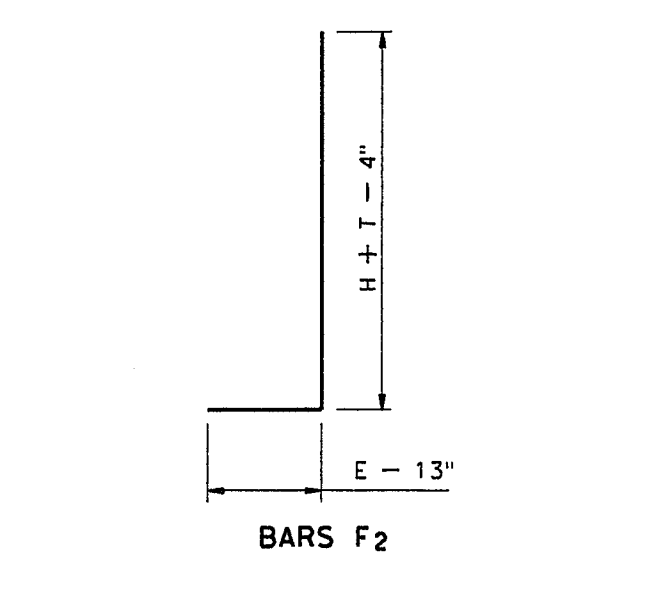
TABLE OF CONSTANT DIMENSIONS

DIA. OF PIPE	K	H	T	E
12"	1'-0"	2'-8"	9"	1'-9"
15"	1'-0"	2'-11"	9"	1'-9"
18"	1'-0"	3'-2"	9"	1'-9"
21"	1'-0"	3'-5"	9"	2'-0"

TABLE OF REINFORCING STEEL

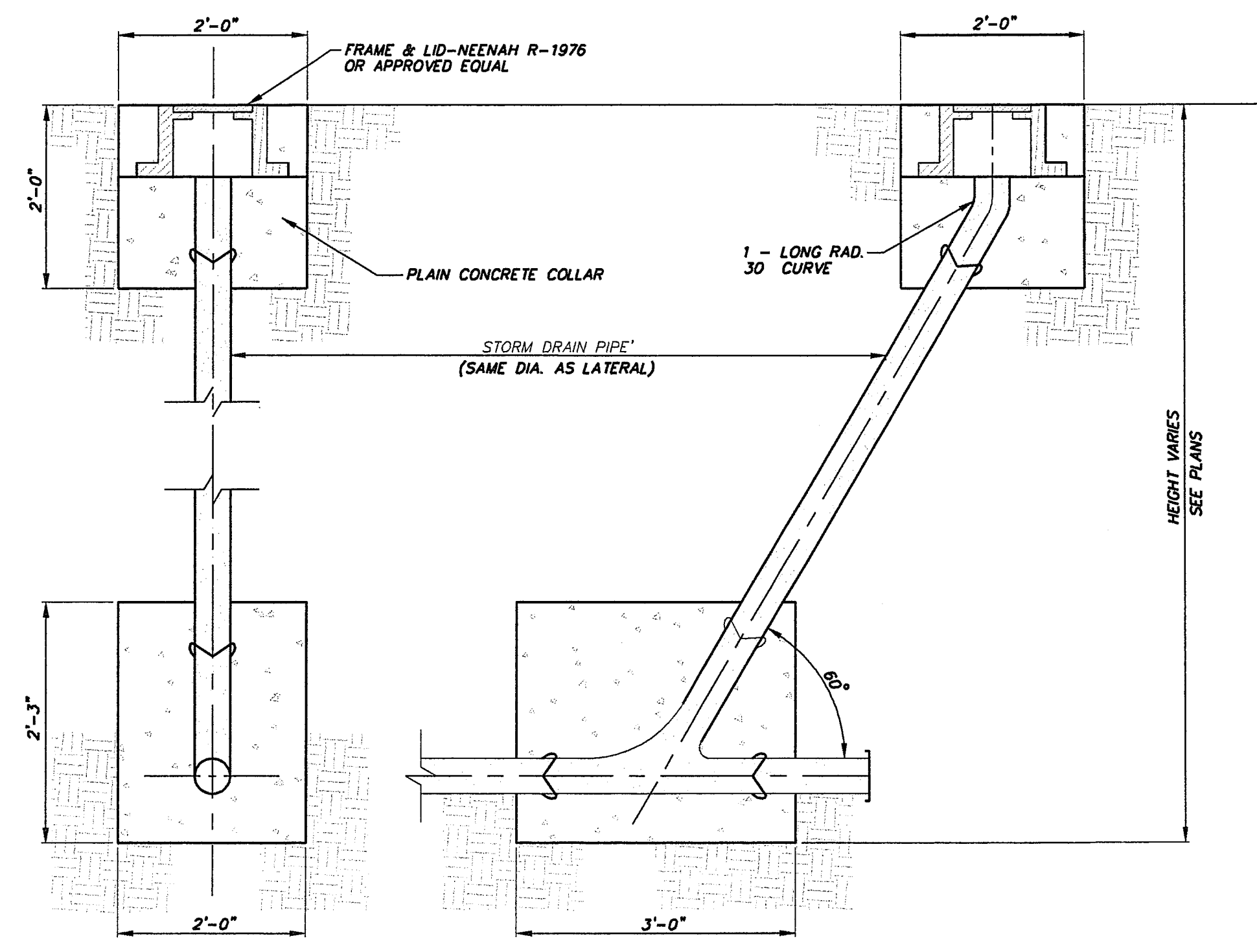
Bar	Size	Spa	No.
A1	#5	-	2
A2	#5	1'-6"	-
E	#5	-	2
F	#5	1'-0"	-

Quantities shown are for one structure and (one headwall)

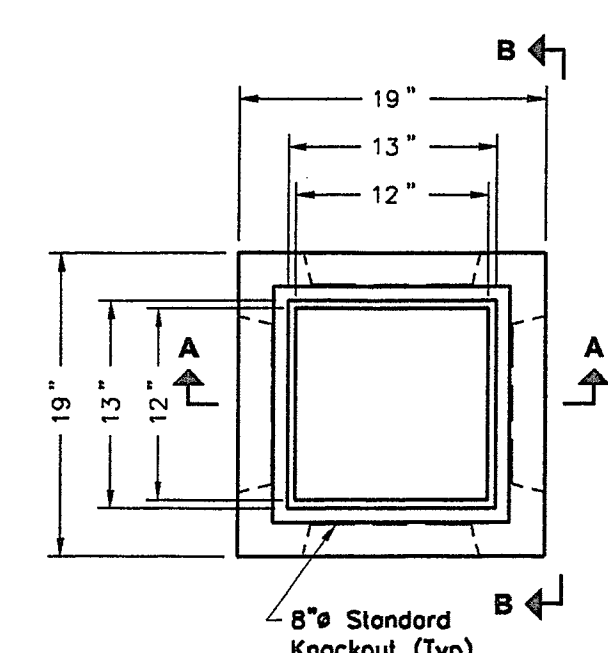


GENERAL NOTES:
 Designed according to current AASHTO Standard and Interim Specifications. Reinforcing steel shall be placed with the center of the outside layer of bars 2" from the surface of the concrete. All reinforcing steel shall be grade 60, have a minimum compressive strength of 3600 psi. No bridge rails of any type may be mounted directly to these culvert headwalls.

CONCRETE HEADWALL WITH PARALLEL WINGS FOR NON-SKEWED PIPE CULVERT
 NOT TO SCALE

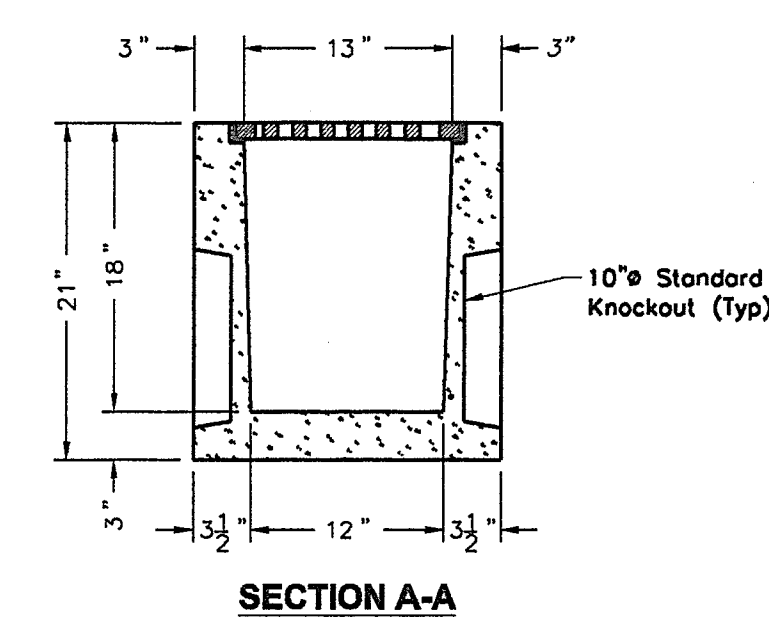


STORM DRAIN CLEANOUT
 NOT TO SCALE

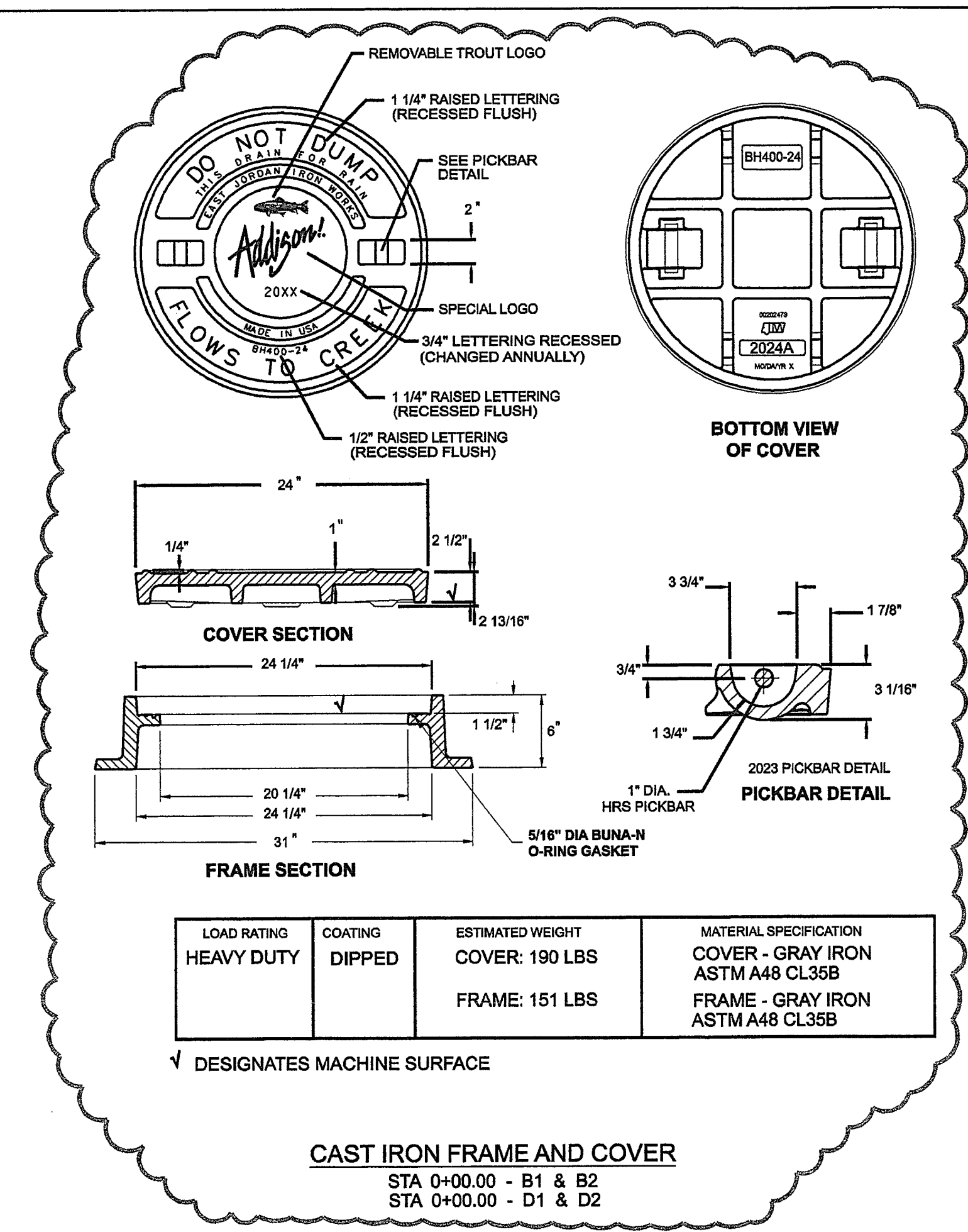


PLAN VIEW
 (C.I. GATE NOT SHOWN)

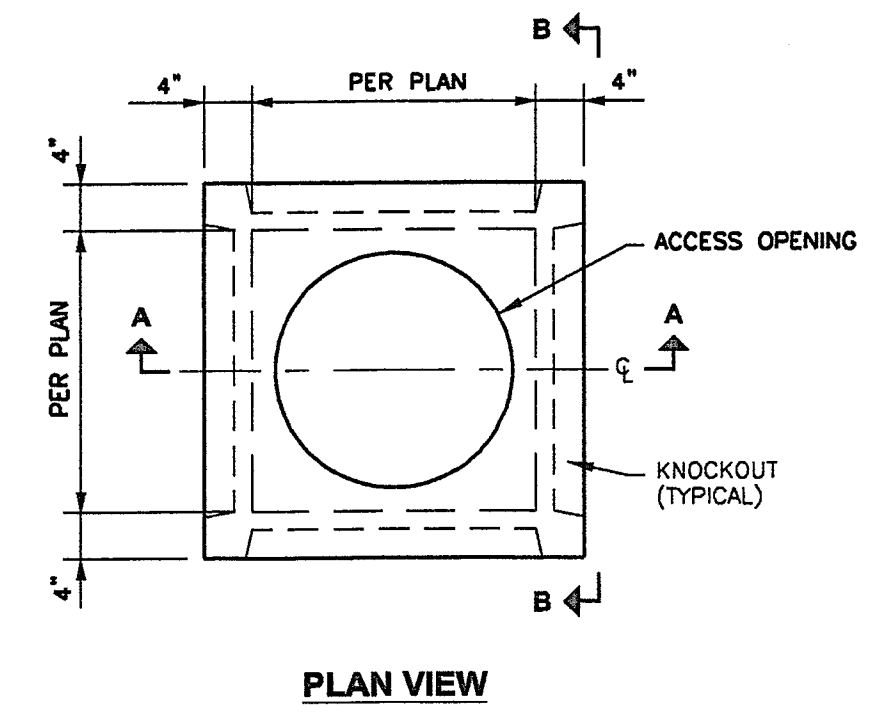
- GENERAL NOTES:**
- CONCRETE: SHALL HAVE A MINIMUM DESIGN STRENGTH OF 5,000 PSI AT 28 DAYS.
 - STEEL REINFORCEMENT: ASTM A-615, GRADE 60 OR ASTM A-497 WELDED WIRE FABRIC.
 - LOADING: DESIGNED FOR H2O LOADING.
 - C.I. CASTINGS: ASTM A-48, CLASS 30/25.
 - PROVIDE FRAME AND COVER AS REQUIRED.
 - PROVIDE BODY AND EXTENSIONS AS REQUIRED.



13" X 13" I.D. CATCH BASIN
 NOT TO SCALE

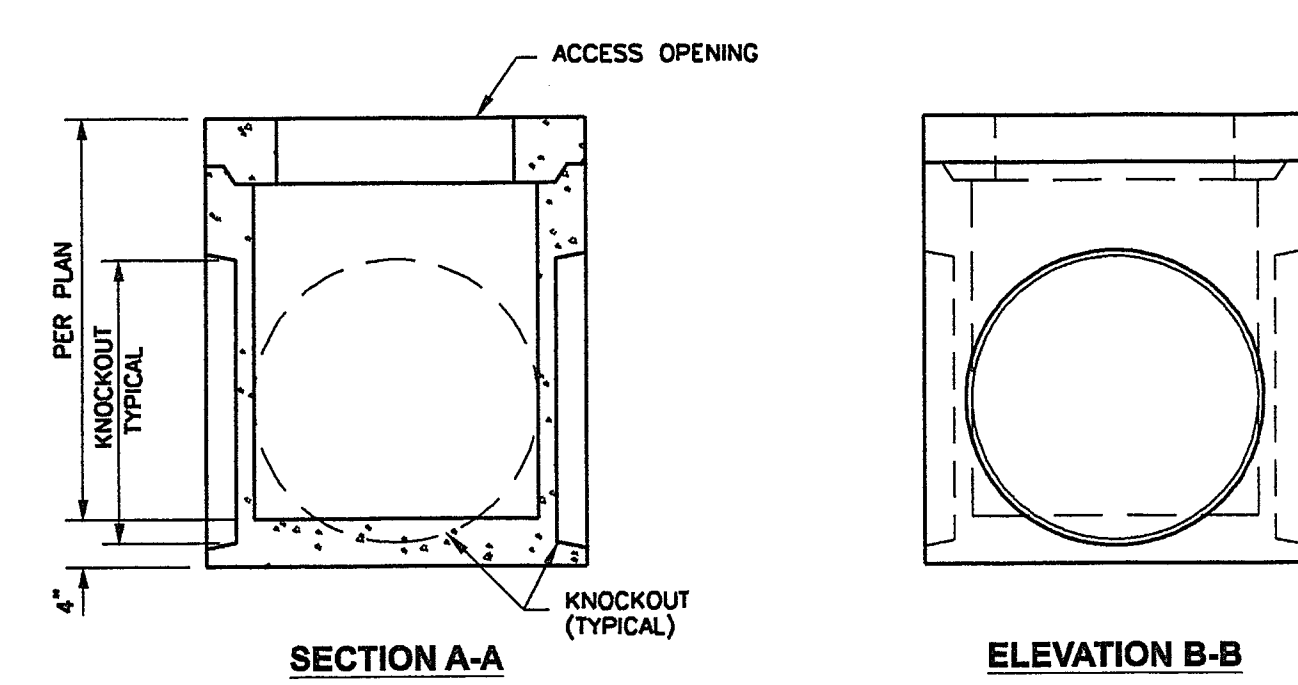


CAST IRON FRAME AND COVER
 STA 0+00.00 - B1 & B2
 STA 0+00.00 - D1 & D2

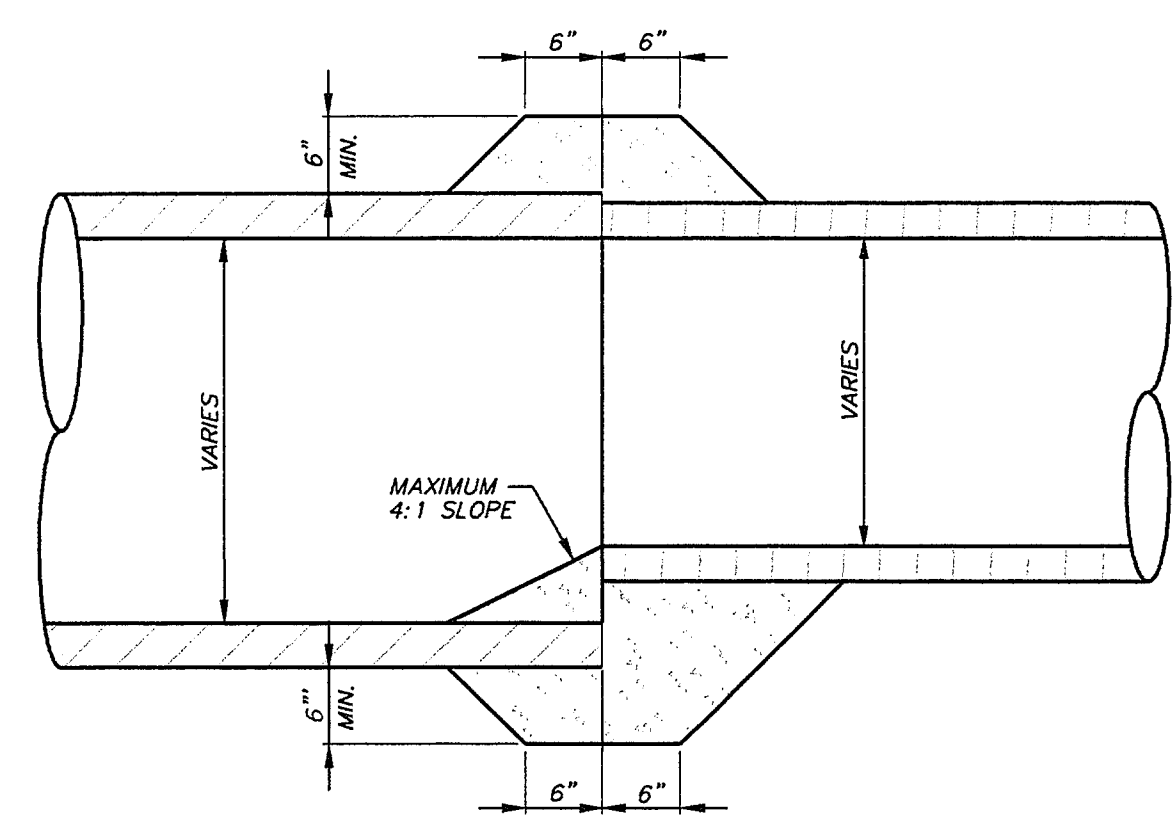


PLAN VIEW

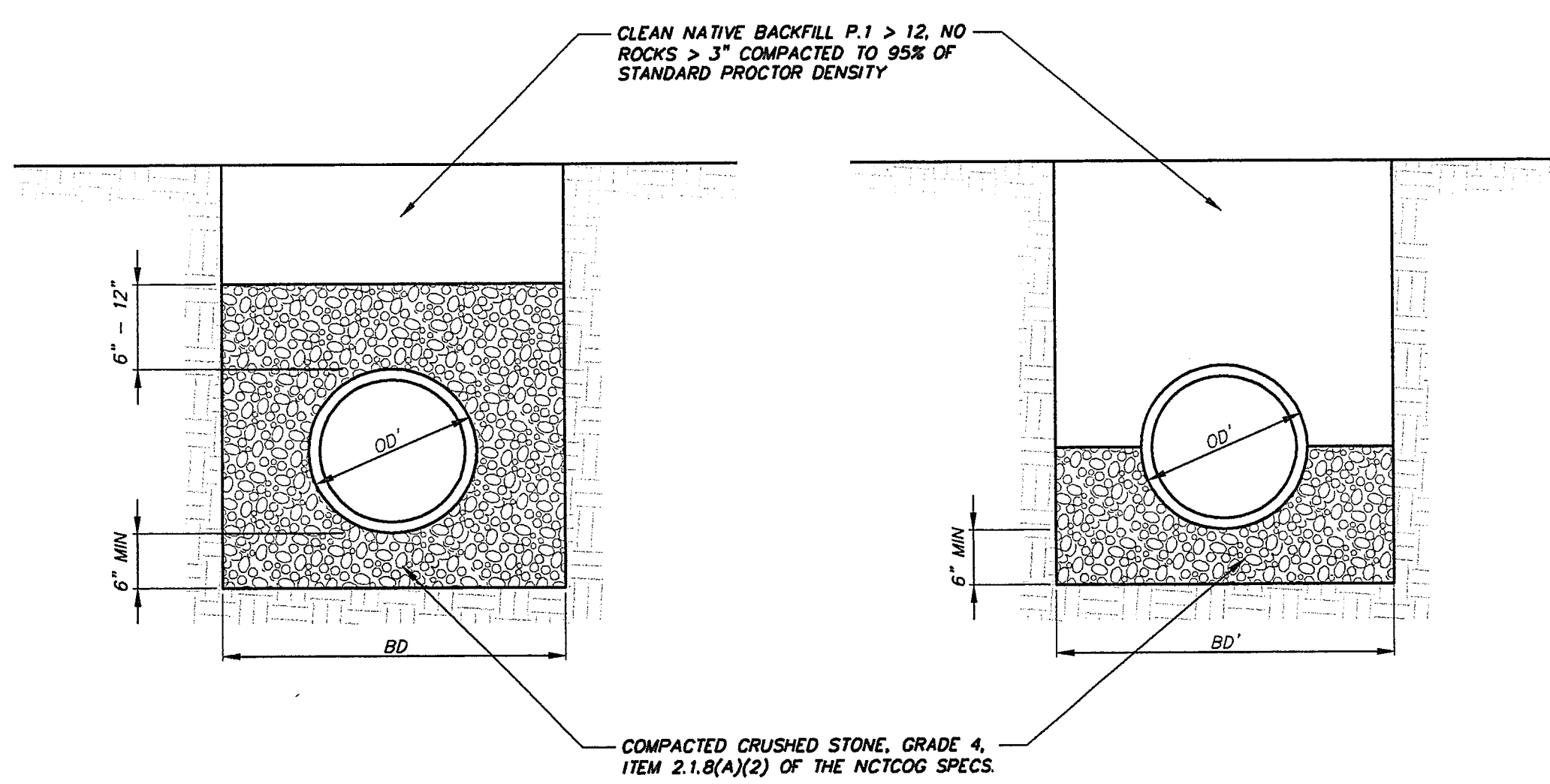
- GENERAL NOTES:**
- CONCRETE: SHALL HAVE A MINIMUM DESIGN STRENGTH OF 5,000 PSI AT 28 DAYS.
 - STEEL REINFORCEMENT: ASTM A-615, GRADE 60 OR ASTM A-497 WELDED WIRE FABRIC.
 - LOADING: DESIGNED FOR H2O LOADING.
 - C.I. CASTINGS: ASTM A-48, CLASS 30/25.
 - PROVIDE FRAME AND COVER AS REQUIRED.
 - PROVIDE BODY AND EXTENSIONS AS REQUIRED.



JUNCTION BOX DETAIL (2' SQ ID OR LESS)
 NOT TO SCALE



CONCRETE COLLAR
 NOT TO SCALE



**24" MINIMUM COVER
 HIGH DENSITY POLYETHYLENE
 (FOR PRIVATE USE ONLY)**

**24" MINIMUM COVER
 REINFORCED CONCRETE PIPE
 (FOR PRIVATE OR PUBLIC USE)**

STORM DRAIN EMBEDMENT
 NOT TO SCALE

icon Consulting Engineers, Inc.
 Civil Engineers - Designers - Planners
 Bicentennial Financial Center
 250 W. Southlake Blvd., Suite 117
 Southlake, TX 76092
 Phone: (817) 552-6210
 Fax: (817) 552-3126

WDG ARCHITECTURE
 WDG Architecture Dallas, PLLC
 325 North St. Paul Street
 Suite 3800
 Dallas, Texas 75201
 tel 214 969 5311
 fax 214 971 8738

Structural Engineer
 Viewtech Structural Engineers, Inc.
 4905 Beltway Drive
 Addison, Texas 75001
 tel 972 641 8187
 fax 972 641 8172
 MEP Engineers
 Jordan & Skala Engineers, Inc.
 14240 Midway Road
 Suite 350
 Dallas, Texas 75244
 tel 469 385 1616
 fax 469 385 1615

UDR, Inc.
 Three Lincoln Centre
 5430 LBJ Freeway, Suite 1950
 Dallas, Texas 75240

VITRUVIAN PARK
 IN ADDRESS

Vitruvian Park Phase I South
 Brookhaven Club Drive
 Addison, Texas

REVISION NO	DATE
1	12/18/08
2	10/13/08
3	7/21/08

Professional Engineer Seal for Bruce F. Dunne, License No. 62654, State of Texas.

Q3007 WDG Project No: DA07008

STORM DRAIN DETAILS

Date: 6/27/08
 Scale: As Noted

C4.3