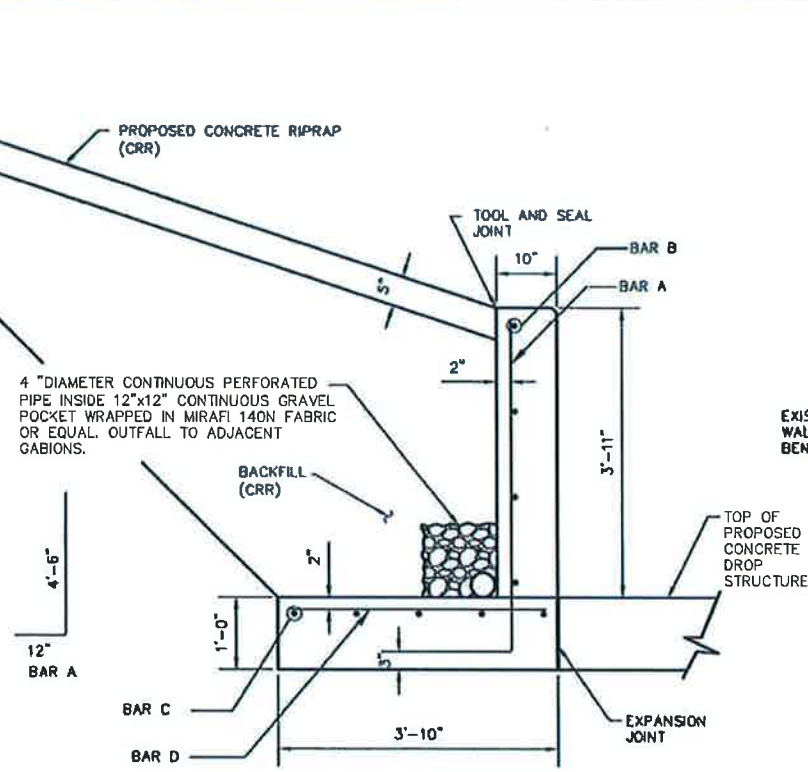
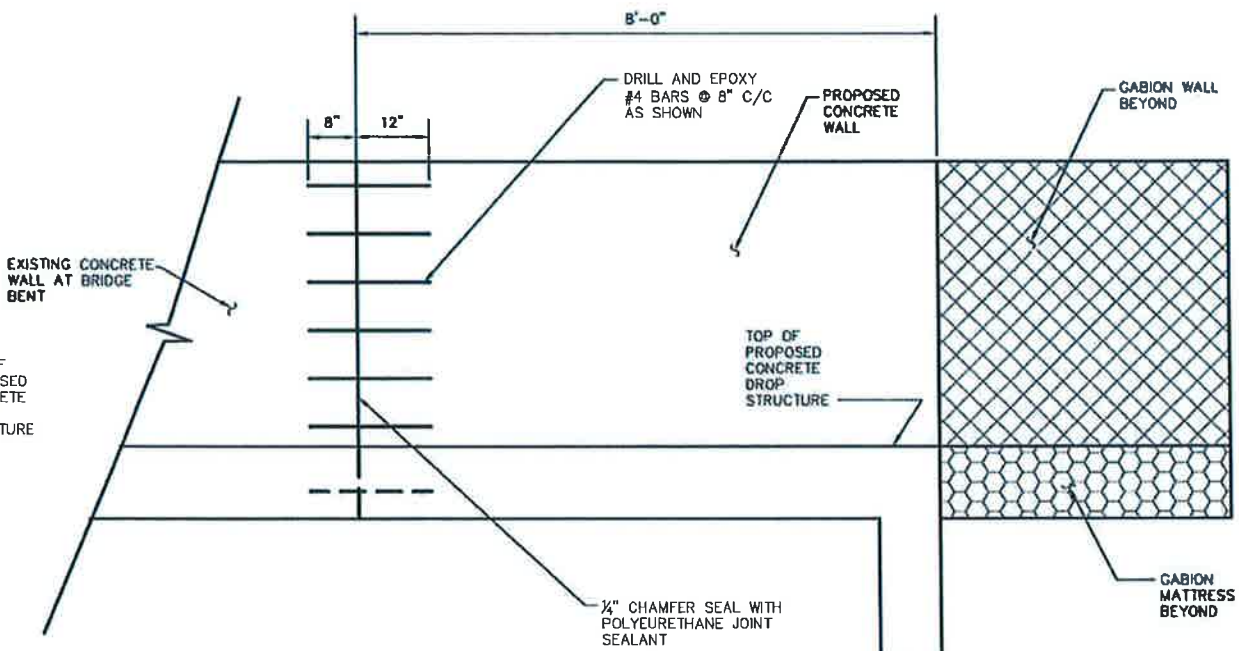


**REINFORCING SCHEDULE**

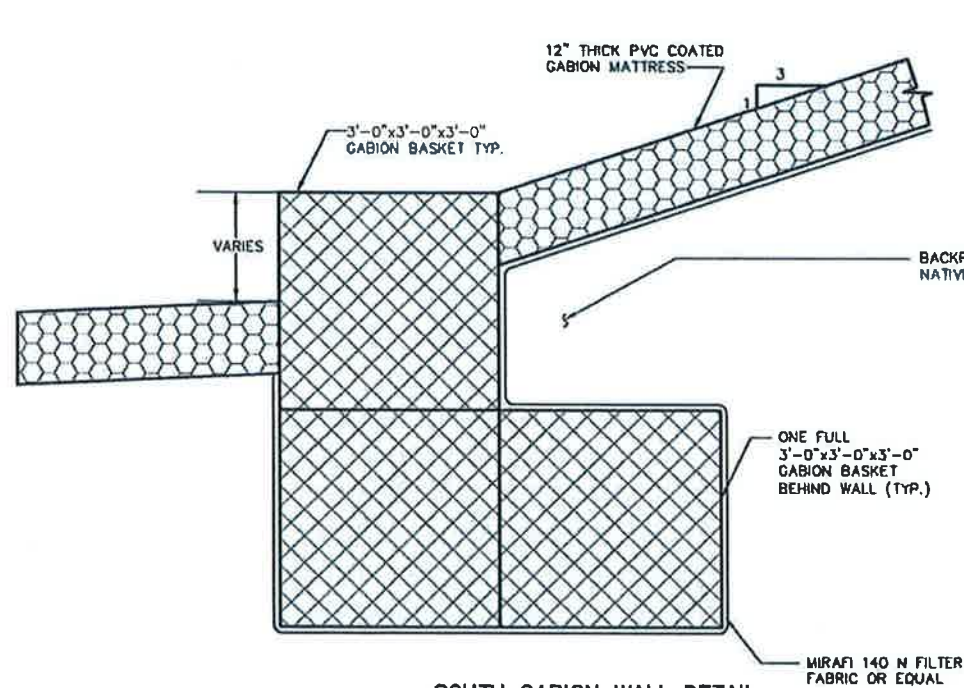
BAR	SIZE	SPACING
A	#5	9"
B	#4	8"
C	#4	8"
D	#5	9"



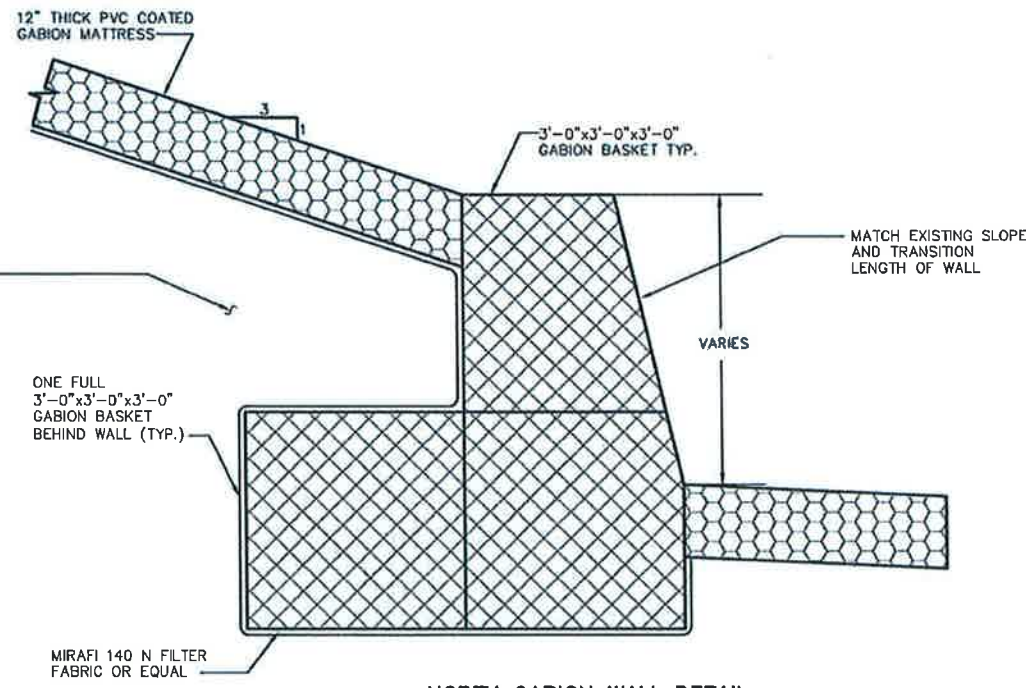
**SECTION A-A - TYPICAL END WALL DETAIL**  
SCALE: 3/8" = 1'-0"  
SEE SHEET 10 OF 13 FOR PLAN VIEW



**TYPICAL END WALL CONNECTION DETAIL**  
SCALE: 3/8" = 1'-0"



**SOUTH GABION WALL DETAIL**  
SCALE: 3/8" = 1'-0"

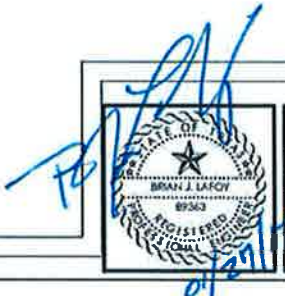


**NORTH GABION WALL DETAIL**  
SCALE: 3/8" = 1'-0"

**LEGEND**

	PVC COATED GABION BASKET
	PVC COATED GABION MATTRESS

NOTE:  
GABION WALLS TRANSITION IN HEIGHT AS SHOWN ON GRADING SHEETS BUT MUST ALWAYS MAINTAIN A MINIMUM HEIGHT OF 1.5 FULL BASKETS ADJUST ELEVATION OF FIGURE AS NECESSARY



revisions	date

**NDM**  
NATHAN D. MAIER  
CONSULTING ENGINEERS, INC.  
FIRM REGISTRATION NO.: F-356  
Two Park Lane Place / 8080 Park Lane / Suite 600  
Dallas, Texas 75231 / (214) 739-4741

**SLOPE PROTECTION/DROP STRUCTURE AT BELLA LANE VEHICULAR BRIDGE AND STABILIZATION AT THE DOWNSTREAM WEIR**  
VITRUVIAN PARK  
TOWN OF ADDISON, TEXAS

BELLA LANE DROP STRUCTURE STRUCTURAL DETAILS				
design	drawn	scale	date	file name
BJL	NDM	AS NOTED	1-27-12	DETAILS

sheet no.	job number
13 15	11-07-037