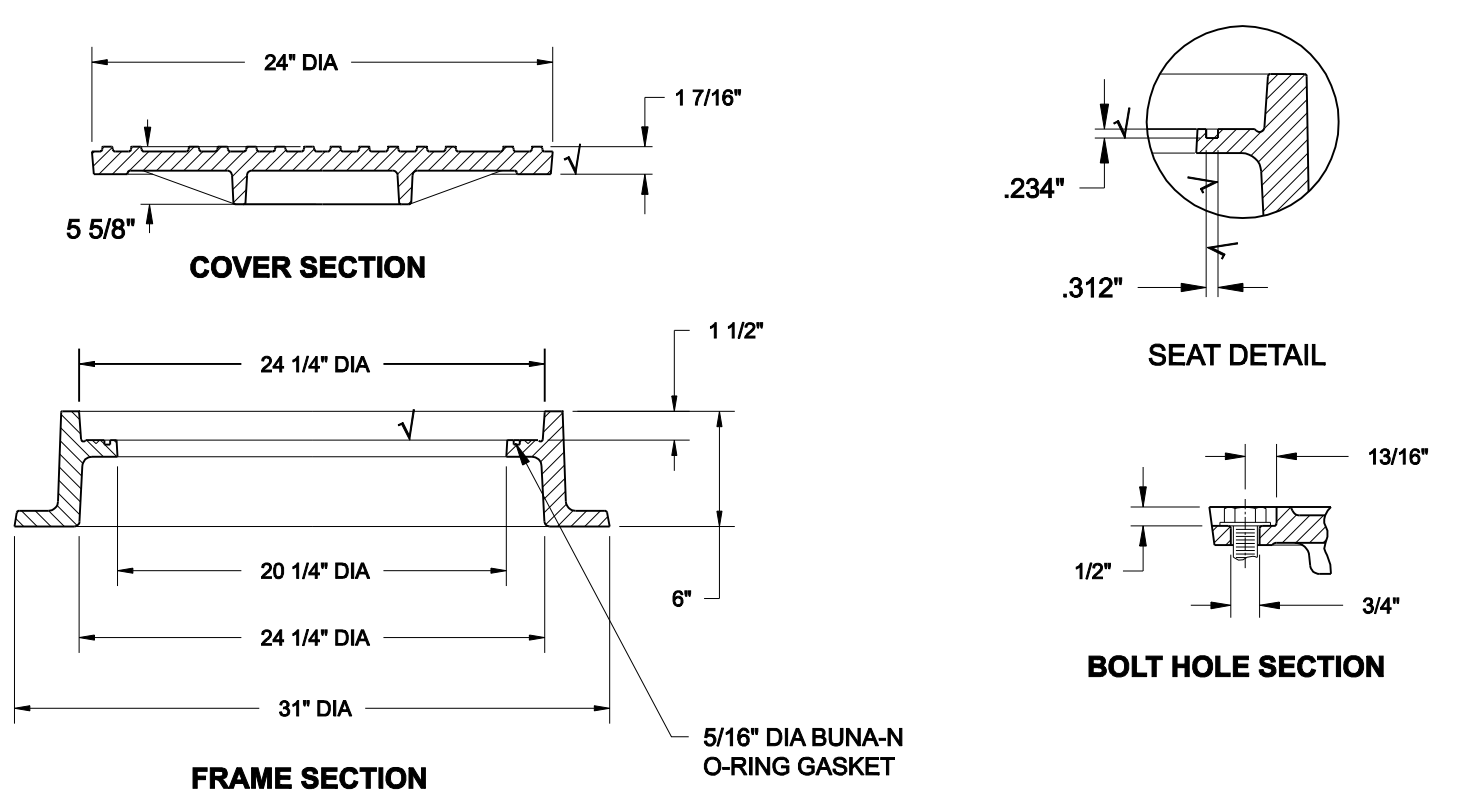
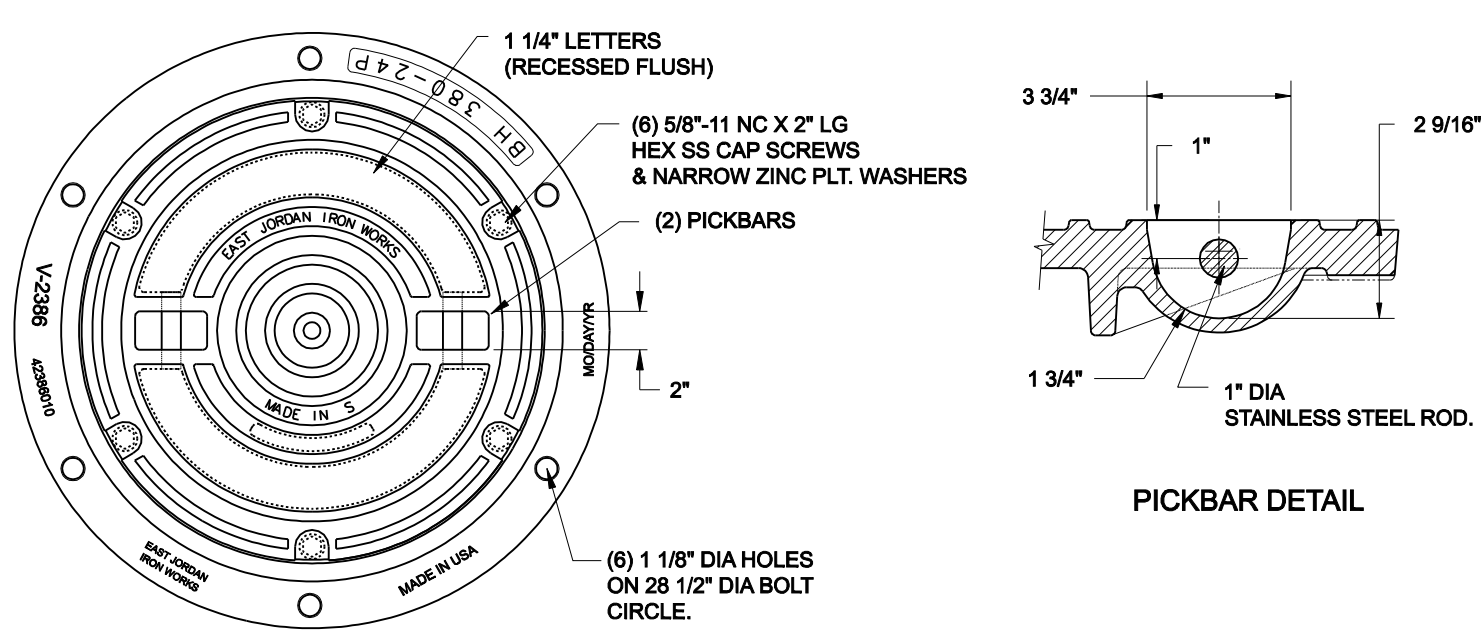


LOAD RATING	COATING	ESTIMATED WEIGHT	MATERIAL SPECIFICATION
HEAVY DUTY	DIPPED	COVER: 190 LBS 86 kg	COVER - GRAY IRON ASTM A48 CL35B

√ DESIGNATES MACHINE SURFACE

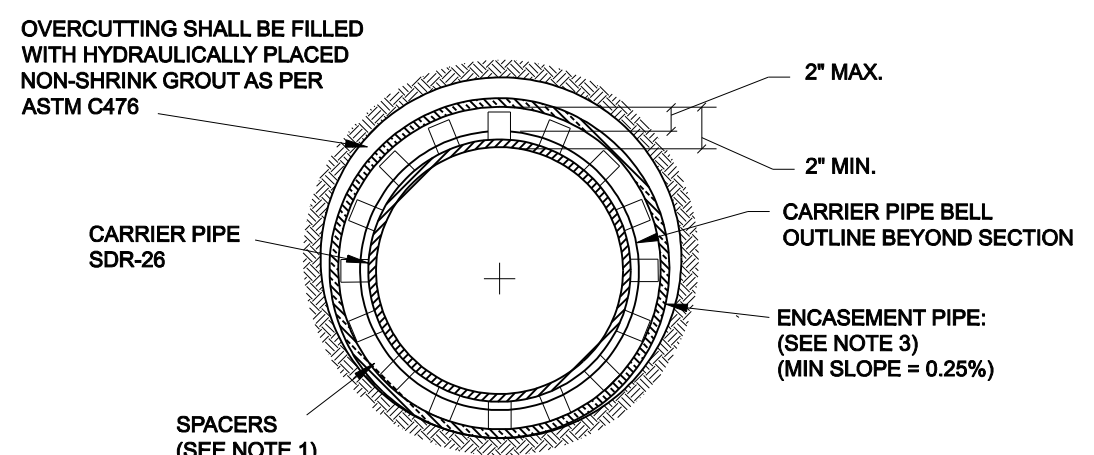
CAST IRON FRAME AND COVER



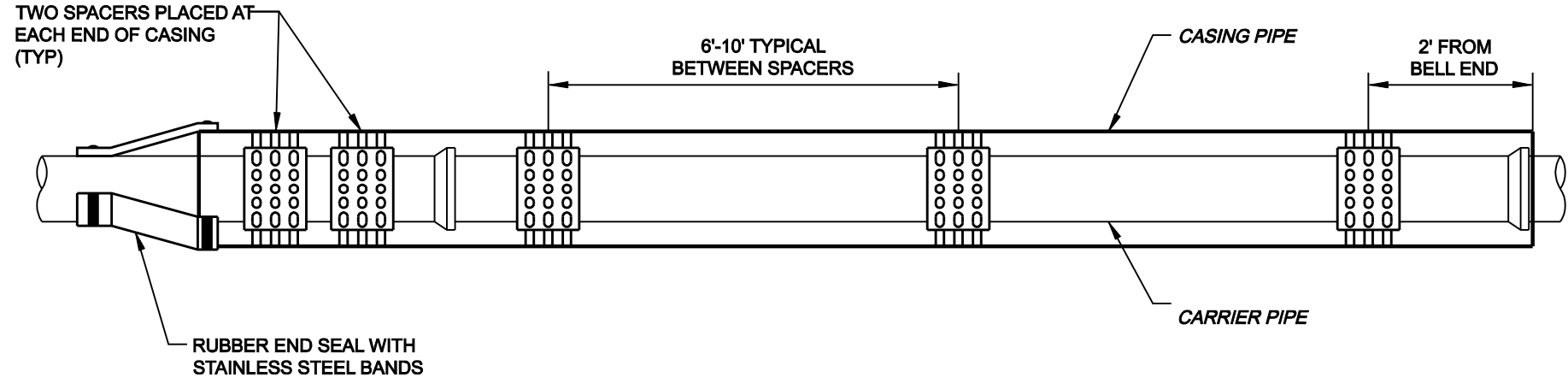
LOAD RATING	COATING	ESTIMATED WEIGHT	MATERIAL SPECIFICATION
HEAVY DUTY	UNDIPPED	COVER: 160 LBS 73kg FRAME: 210 LBS 95kg ASSY : 370 LBS 168kg	COVER - GRAY IRON ASTM A48 CL35B FRAME - GRAY IRON ASTM A48 CL35B

√ DESIGNATES MACHINE SURFACE

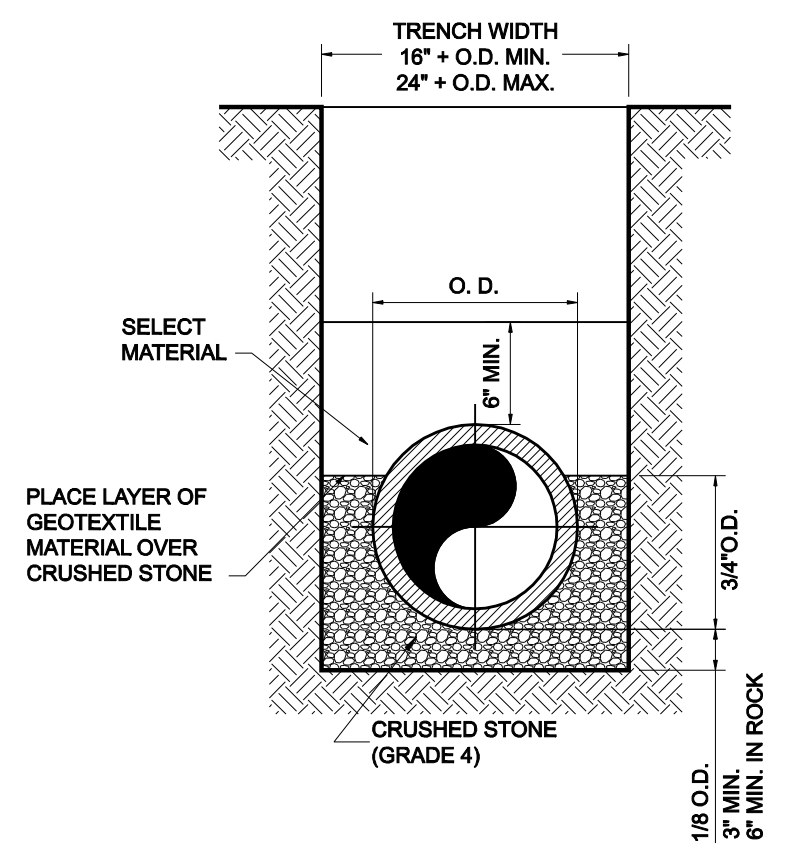
PRESSURE TYPE FRAME AND COVER



- NOTES:
- (1) HIGH DENSITY POLYETHYLENE SPACERS, RACI OR EQUAL, SHALL BE USED. WHERE NO CASING PIPE IS REQUIRED OVERCUTTING AROUND UTILITY SHALL BE FILLED WITH HYDRAULICALLY PLACED NON-SHRINK GROUT AS PER ASTM C476.
 - (2) END GROUTING FOR ALL ENCASEMENTS SHALL BE AS PER ASTM STANDARD C476 (1:7 GROUT WITH 5% TO 40% AIR ENTRAINMENT). GROUT SHALL BE PLACED BY HYDRAULIC PUMP FROM THE LOWER END OF THE ENCASEMENT PIPE, THEREBY INSURING COMPLETE FILLING OF ENCASEMENT PIPE.
 - (3) ENCASEMENT PIPE SHALL BE EITHER DUCTILE IRON PIPE OR HIGH DENSITY STEEL PIPE. ALL JOINTS TO BE WELDED 100%.

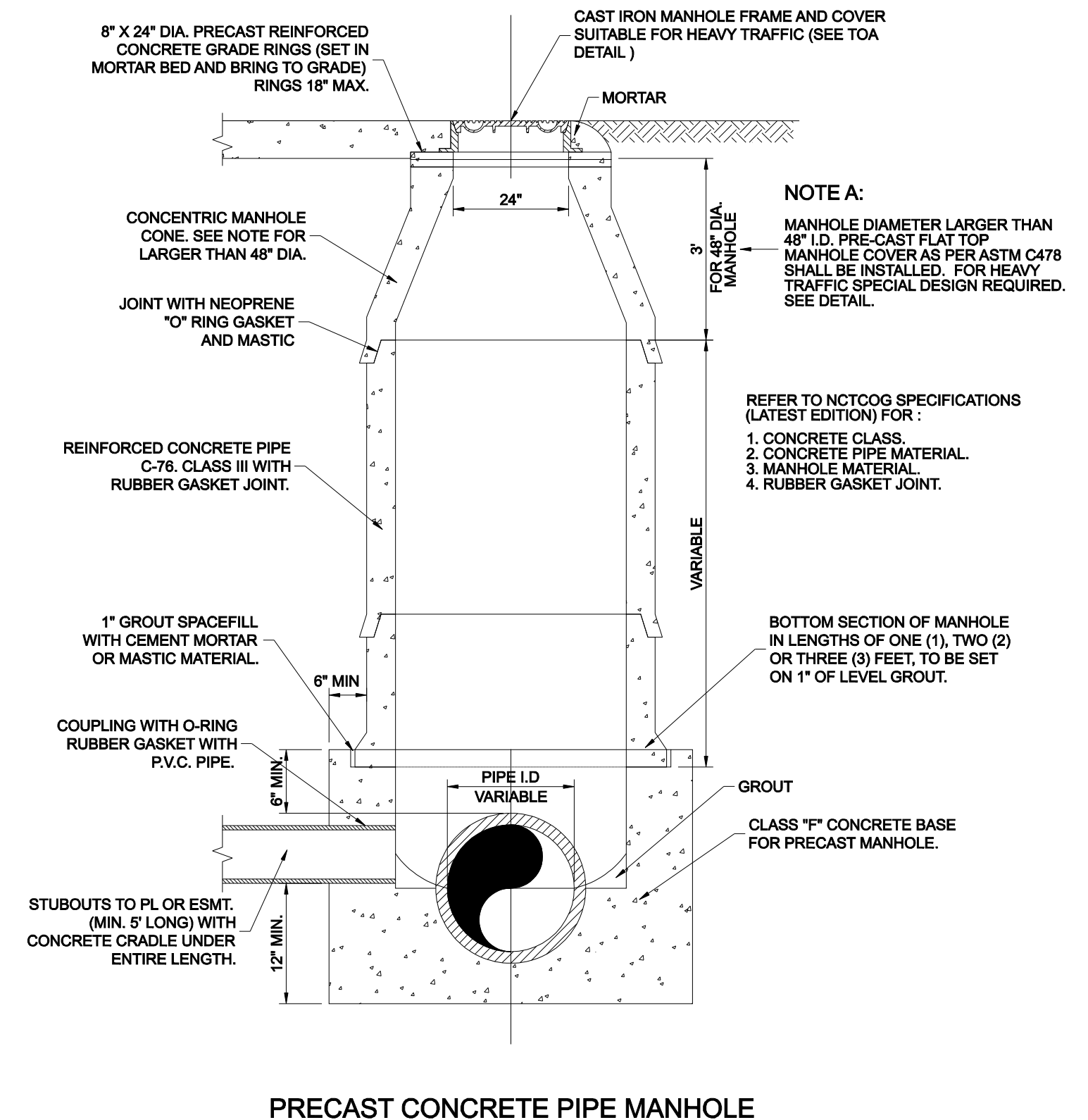


SANITARY SEWER MAIN ENCASEMENT



CLASS "B+" EMBEDMENT

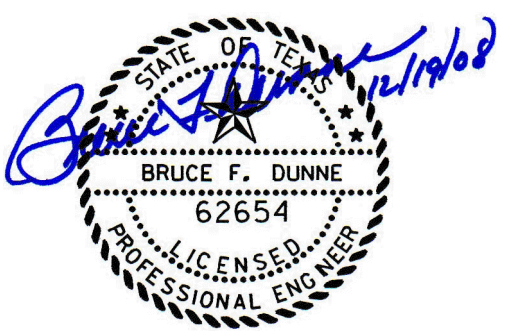
TYPICAL BACKFILL WATER MAIN
P.V.C. WATER PIPE



- NOTE A:
- MANHOLE DIAMETER LARGER THAN 48\"/>
- REFER TO NCTCOG SPECIFICATIONS (LATEST EDITION) FOR:
1. CONCRETE CLASS.
 2. CONCRETE PIPE MATERIAL.
 3. MANHOLE MATERIAL.
 4. RUBBER GASKET JOINT.

NOTE:
IF FALSE MANHOLE BOTTOMS ARE REQUIRED, THEY SHALL BE CONSTRUCTED, INSTALLED AND REMOVED.

ALL MANHOLES SHALL PASS VACUUM TEST AS PER NCTCOG SPECIFICATIONS



NO.	REVISION	BY	DATE

TOWN OF ADDISON
DALLAS COUNTY, TEXAS

WATER, SANITARY SEWER & STORM DRAIN
BROOKHAVEN CLUB DR, PONTE AVE & VITRUVIAN PARK

SANITARY SEWER DETAILS

icon Consulting Engineers, Inc.
Civil Engineers - Designers - Planners
250 W. Southlake Blvd., Suite 117
Southlake, Tx 76092 (817) 552-6210

PROJECT	DESIGN	DRAWN	DATE	FILE	SHEET
5029-01	JAM	SAM	OCT 14, 2008	PW #2008-009	15

WATER, SANITARY SEWER, & STORM DRAIN IMPROVEMENTS - BROOKHAVEN CLUB DRIVE, PONTE AVENUE & VITRUVIAN PARK